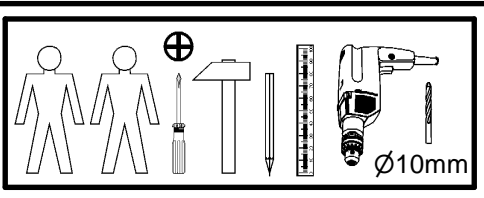
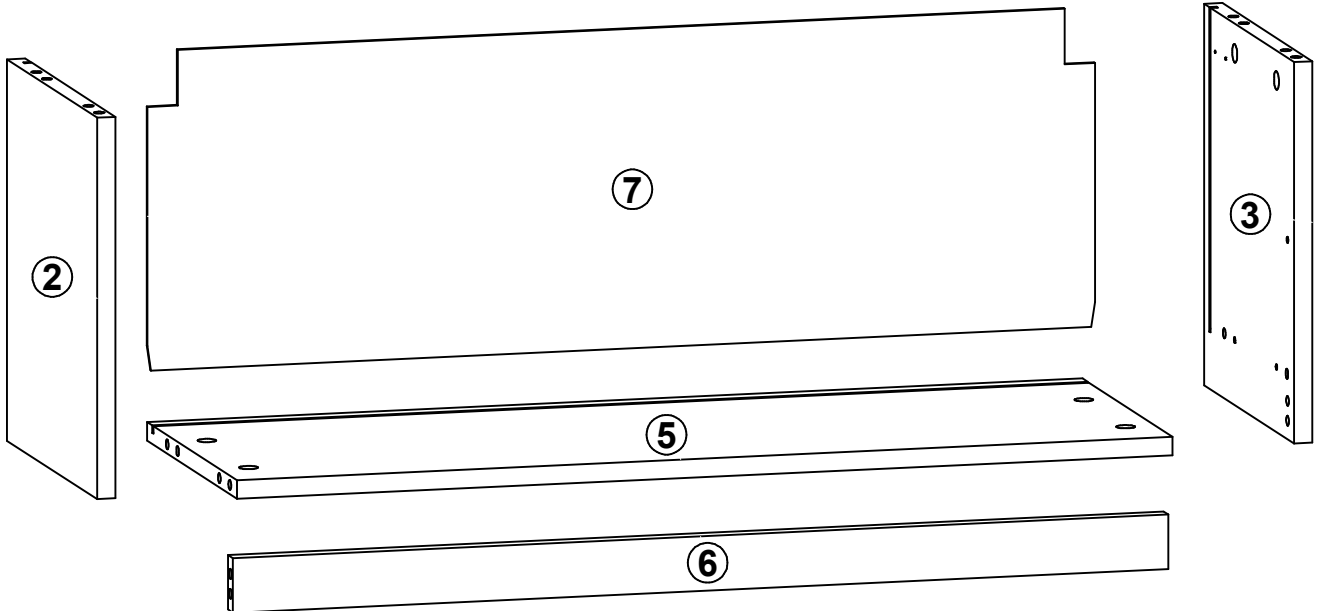
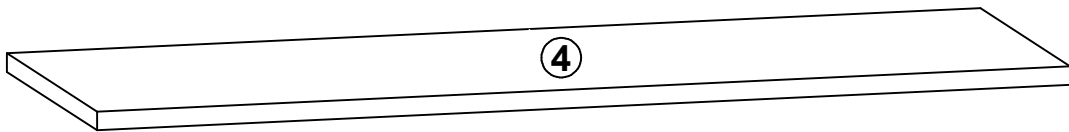
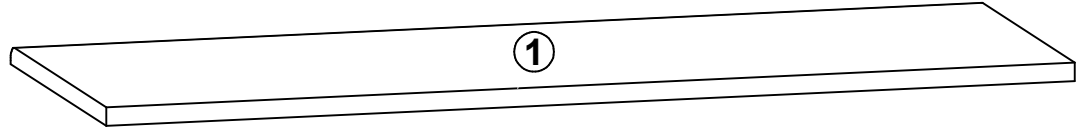
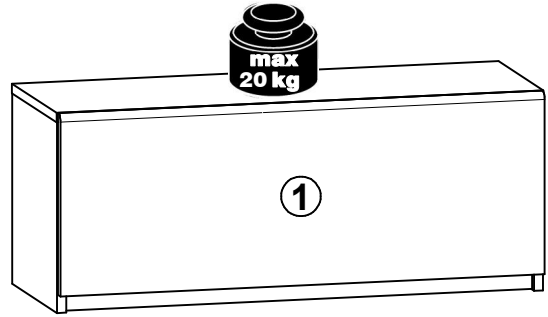
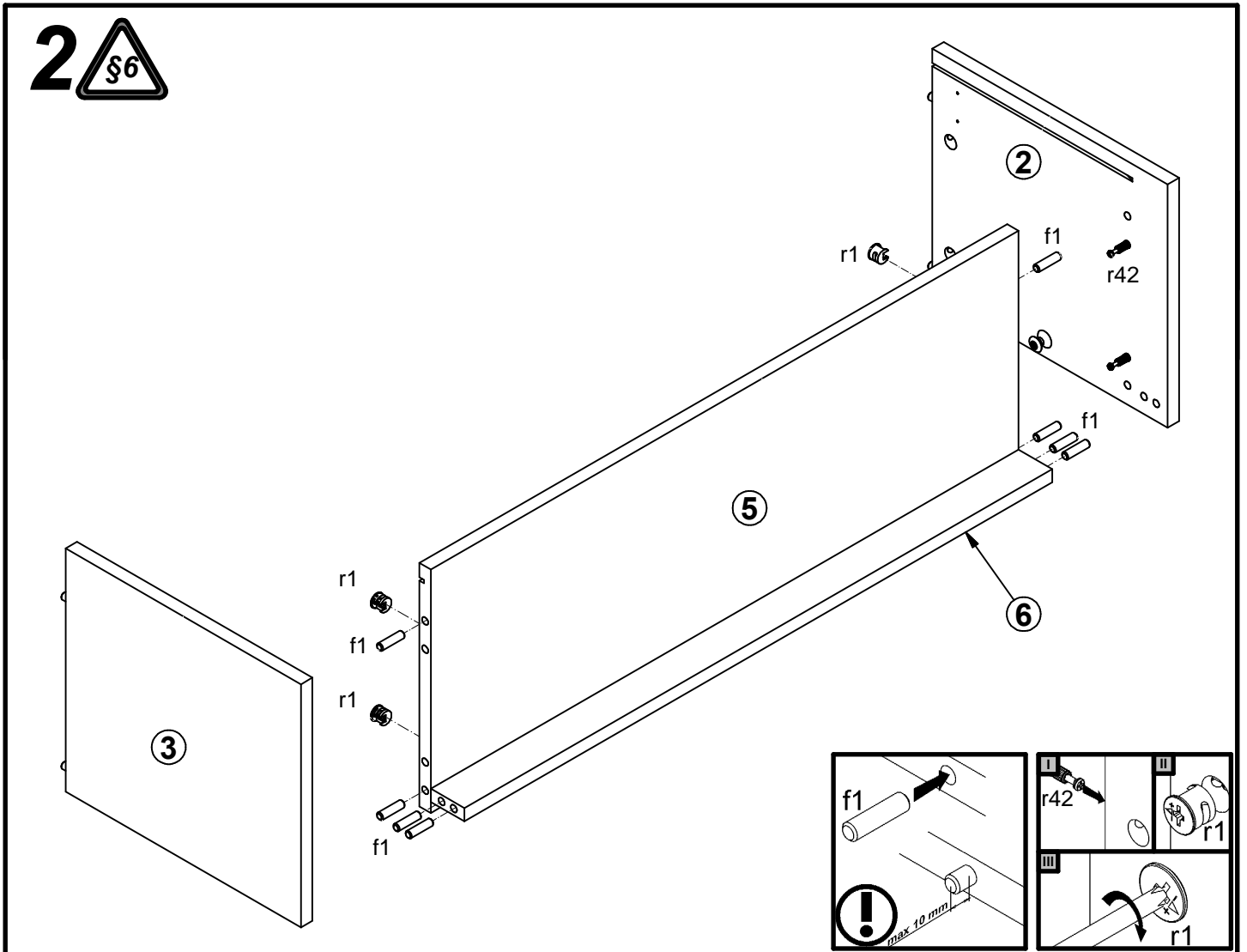
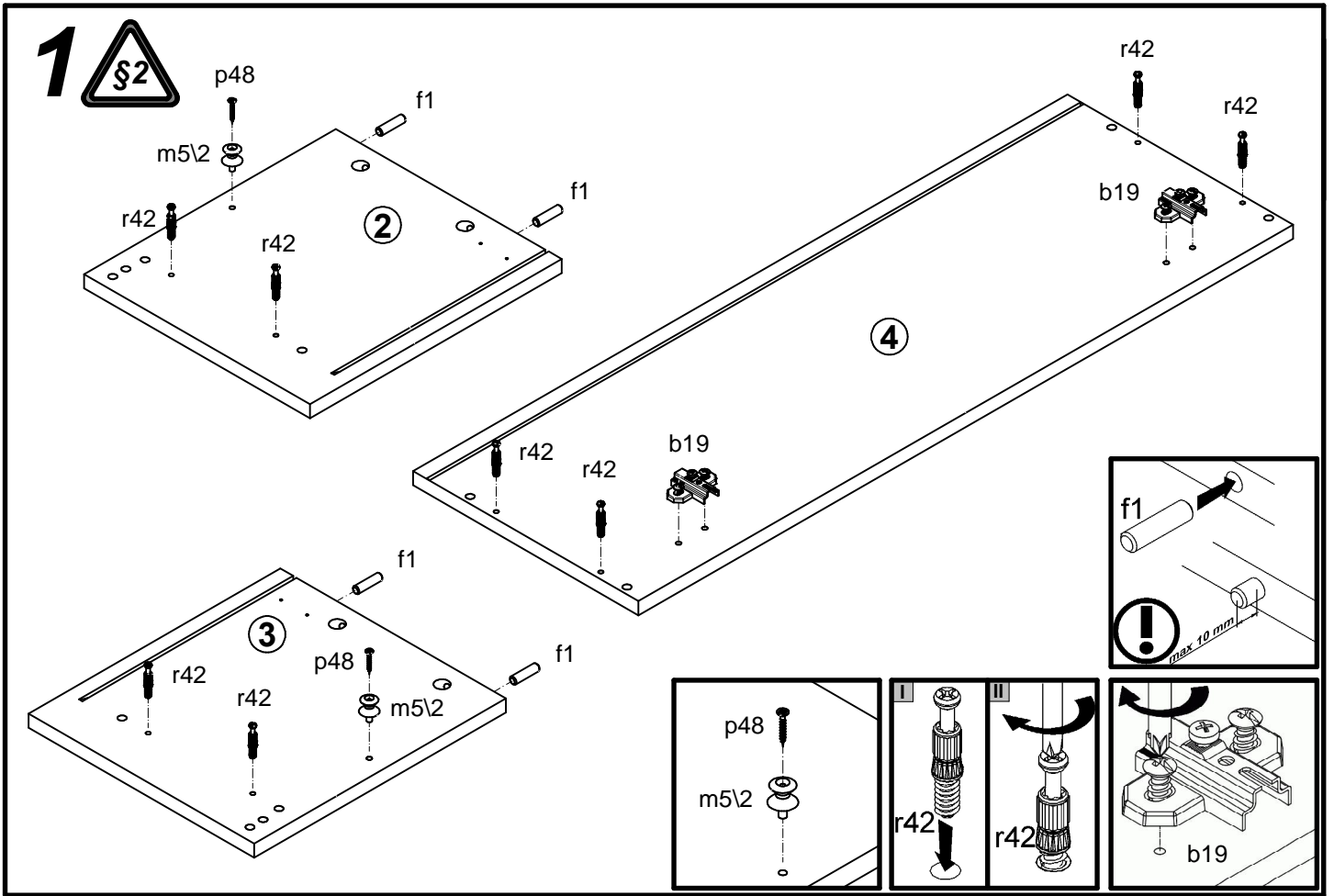


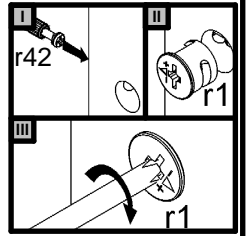
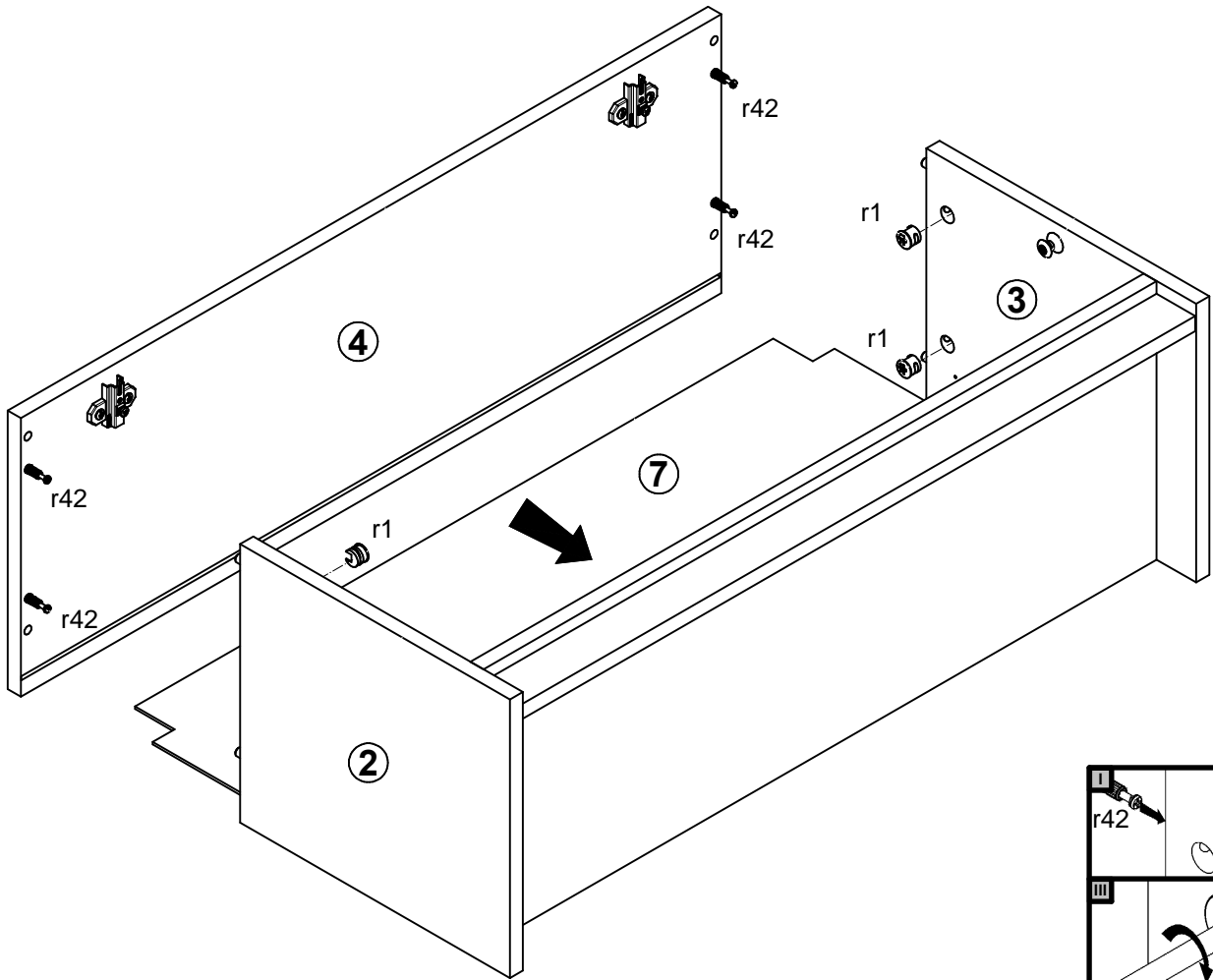
A	B	C	D
1	S324-021	796	294 2/2
2	S324-130	308	276 1/2
3	S324-131	308	276 1/2
4	S324-208	800	276 1/2
5	S324-305	769	276 1/2
6	S324-416	769	44 1/2
7	S324-922	258	779 1/2



2x a44	2x b19	12x f1 Ø8x30 mm	2x f35 Ø10x50 mm	8x l2	1x m5\1L	1x m5\1P	2x m5\2	1x n38\L
1x n38\P	2x o21 silikon	4x p1 Ø3.5x13 mm	4x p21 Ø4x30 mm	2x p48 Ø3x25 mm	4x p51 Ø3.5x15 mm	2x p127 Ø6x60 mm	8x r1 Ø15x12 mm #16	8x r42
8x s2 Ø16								



3



4

