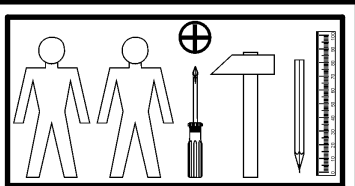
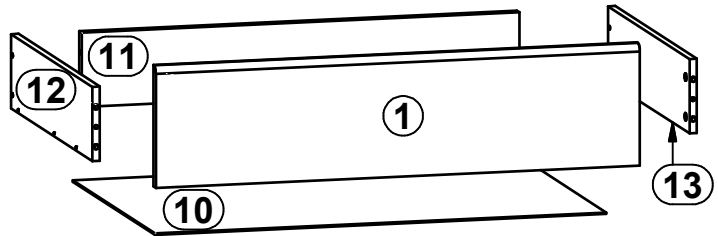
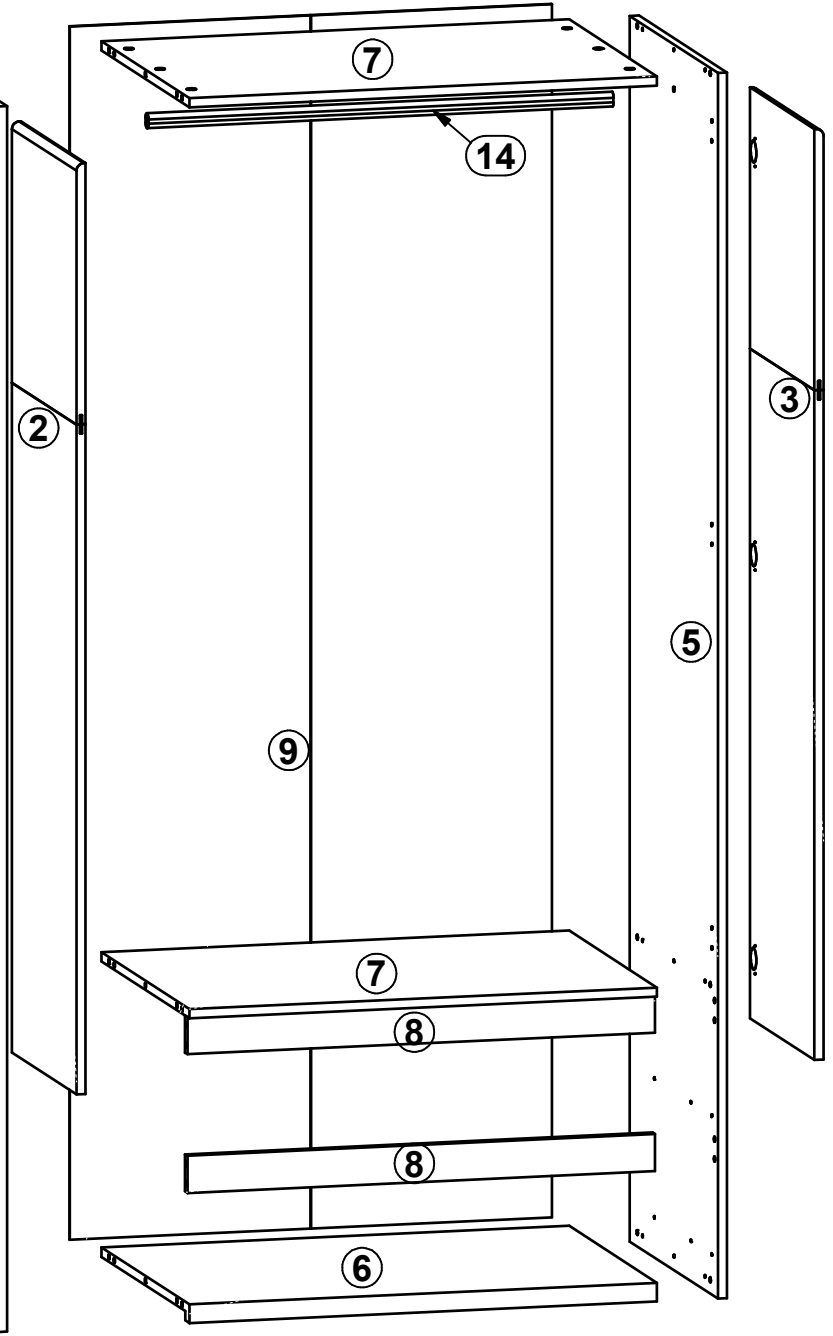
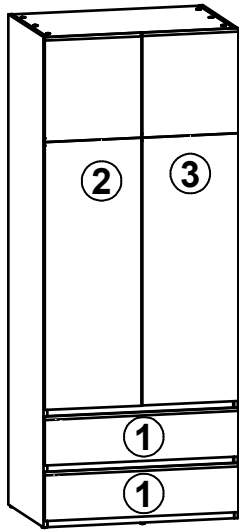


A

ACADEMICA

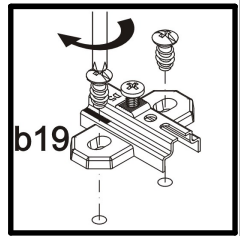
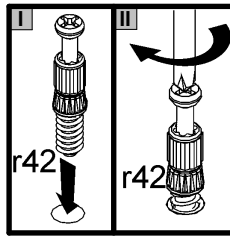
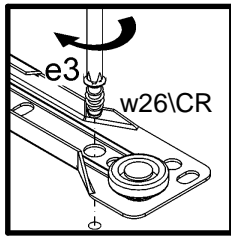
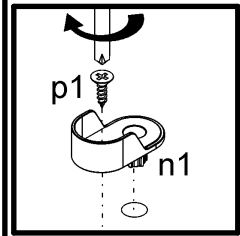
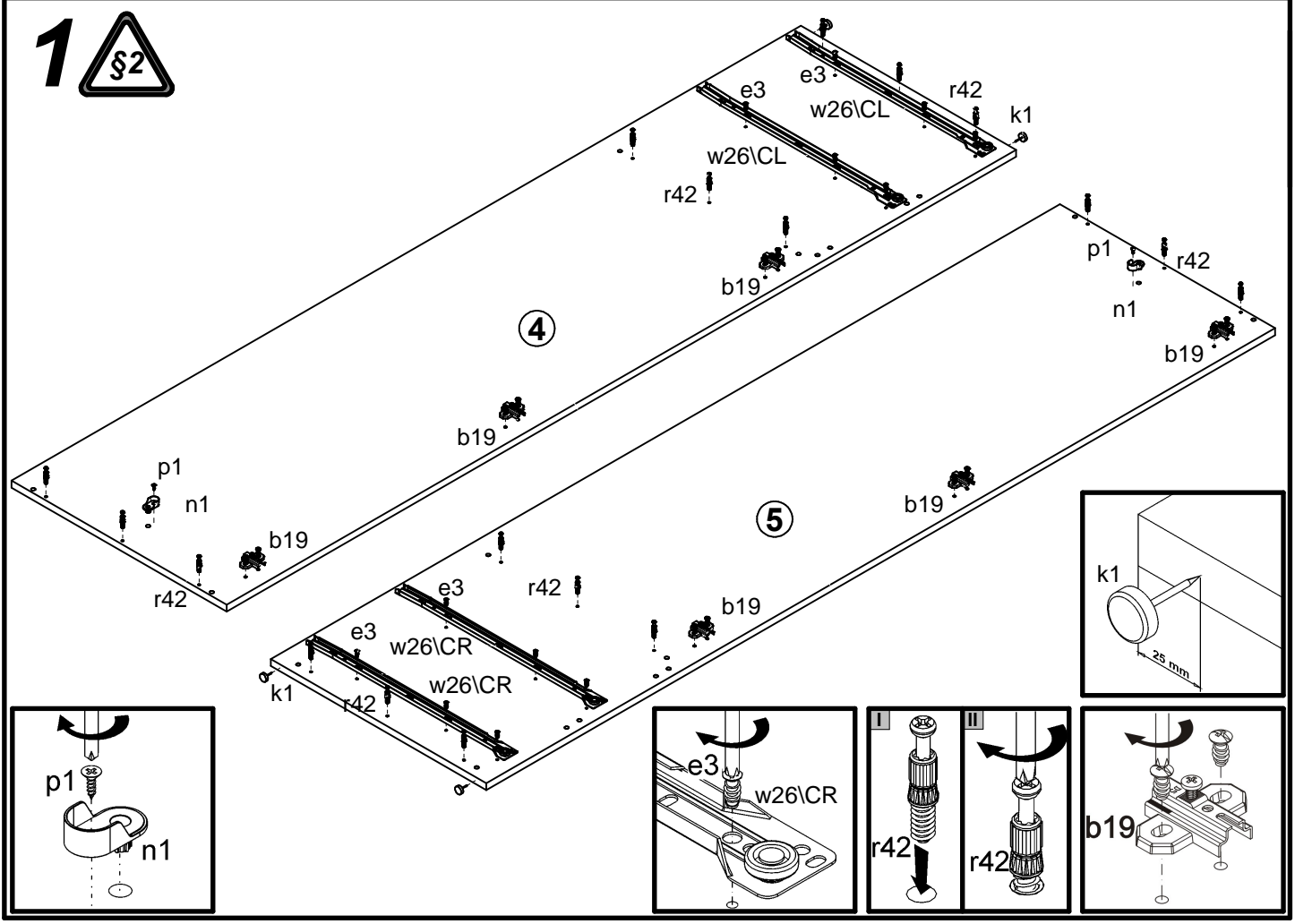
S324-SZF2D2S

A	B	C	D	
1	S324-001	796	196	3/3
2	S324-002	396	1504	3/3
3	S324-003	396	1504	3/3
4	S324-101	1980	540	1/3
5	S324-102	1980	540	1/3
6	S324-301	769	540	2/3
7	S324-302	769	540	2/3
8	S324-401	769	60	2/3
9	S324-901	1960	793	1/3
10	S324-902	742	505	2/3
11	ZS3-5560	720	120	2/3
12	ZS4-505	500	120	2/3
13	ZS4-506	500	120	2/3
14	dr-765	765	22	2/3

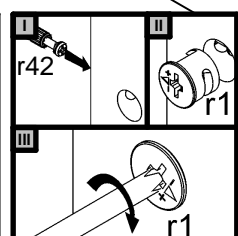
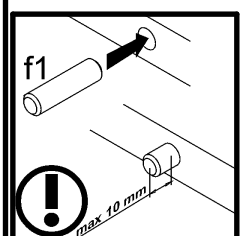
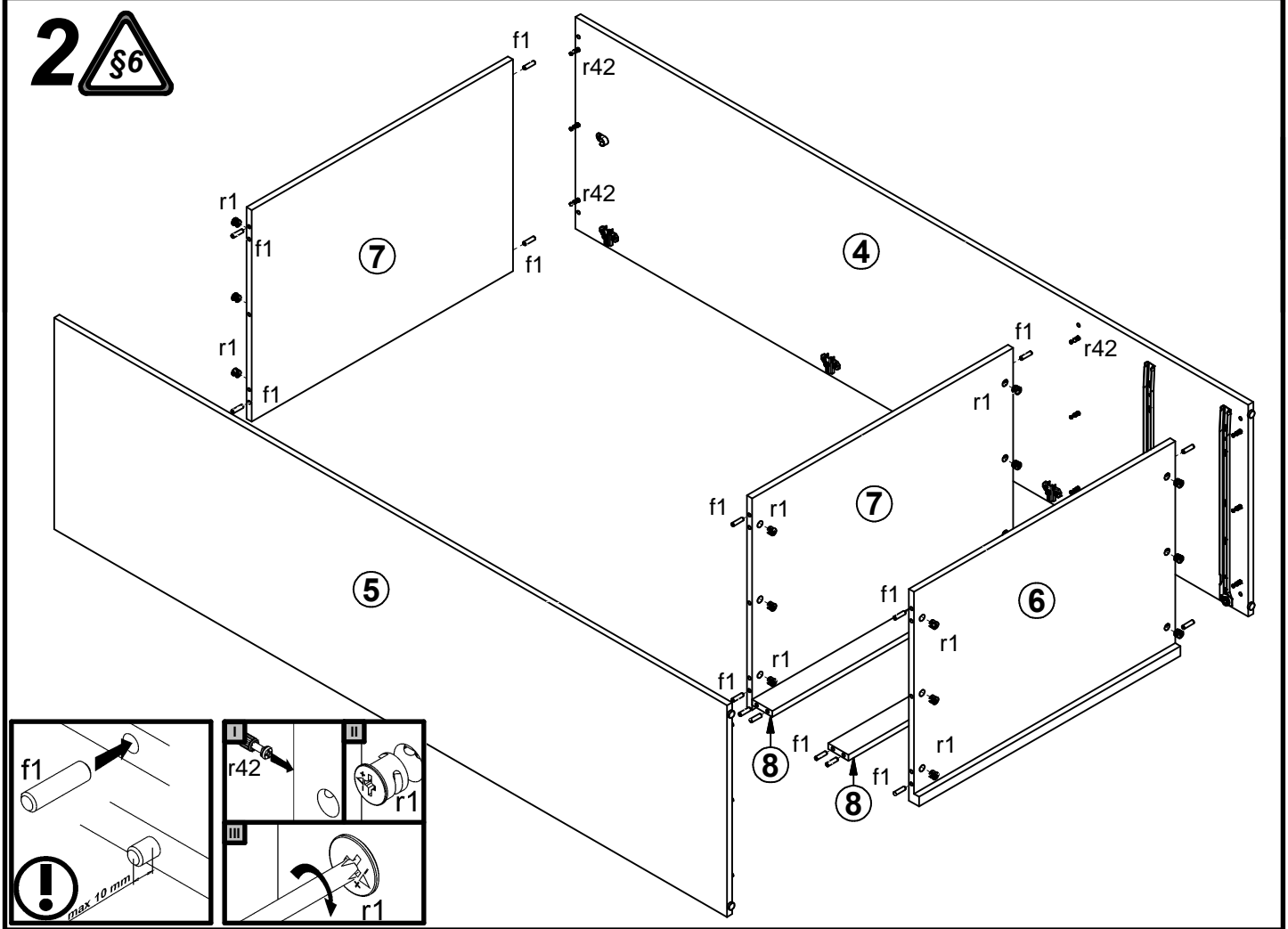


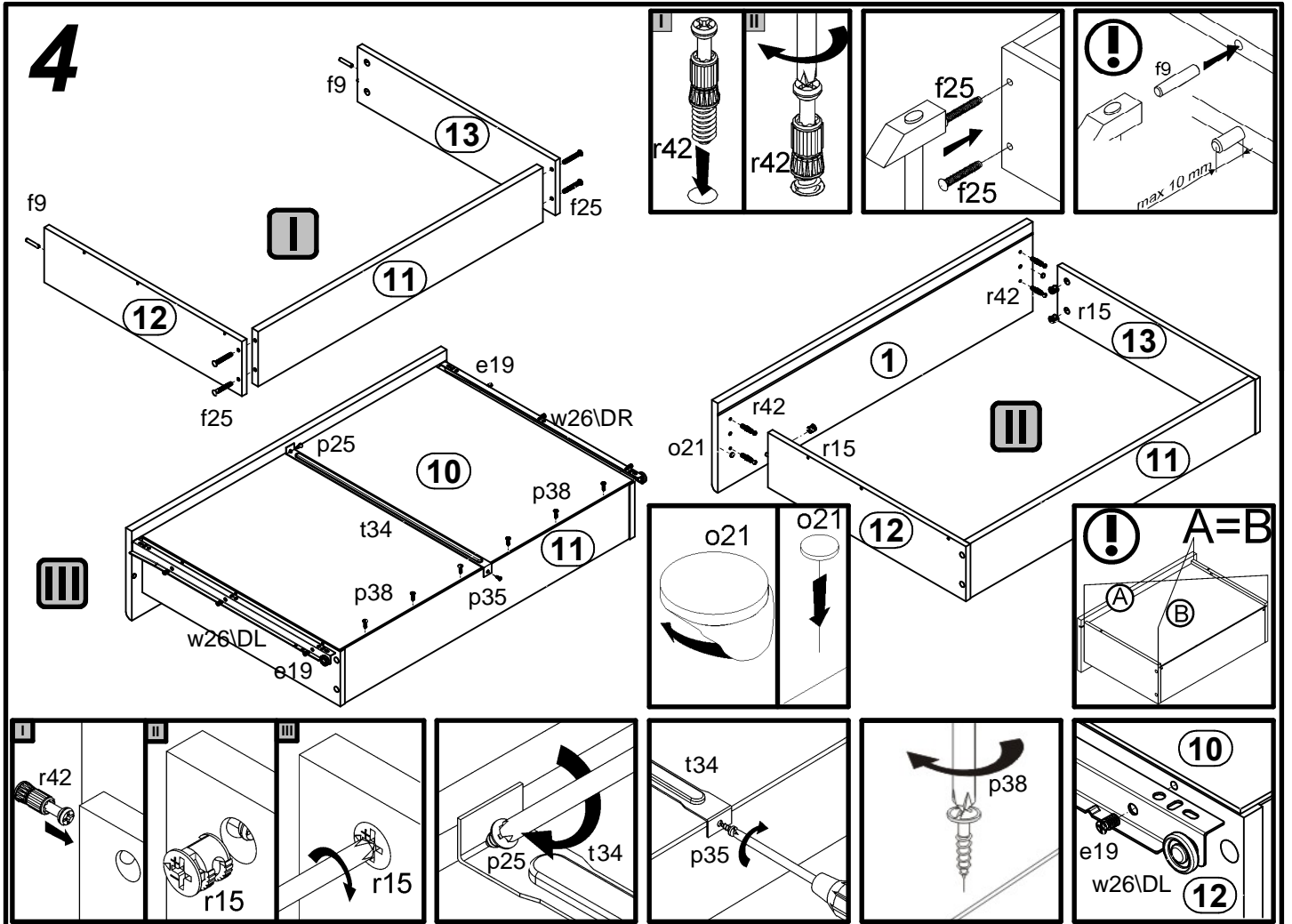
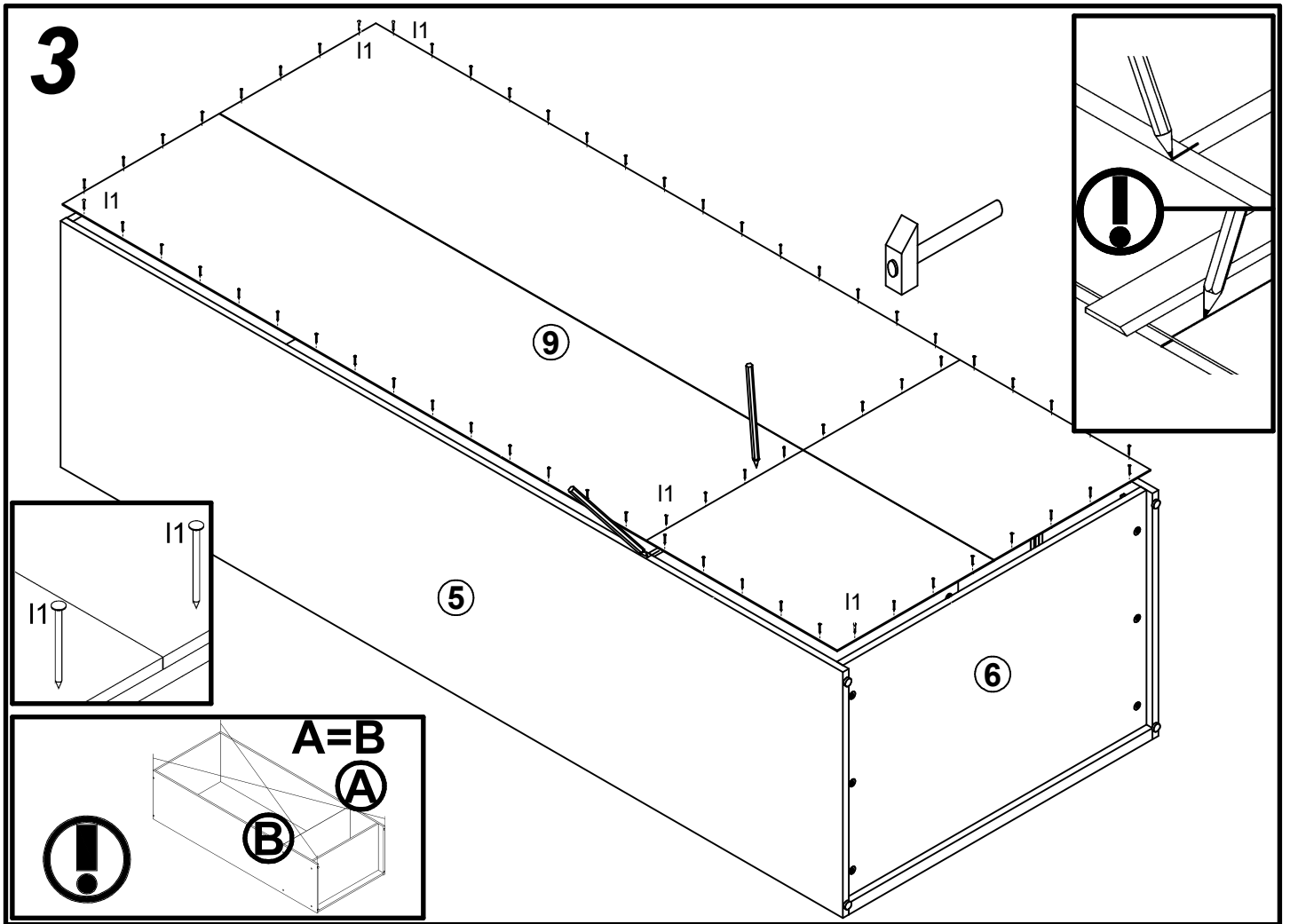
6x a44	6x b19	12x e3 Ø6x13 mm	12x e19 Ø5x9 mm	20x f1 Ø8x30 mm	4x f9 Ø6x30 mm	8x f25 Ø6.5x40 mm	4x k1	65x l1
2x n1 h=22mm	8x o21 silikon	2x p1 Ø3.5x13 mm	2x p25 Ø3.5x16 mm	2x p35 Ø3.5x10 mm	12x p38 Ø3.5x16 mm	12x p51 Ø3.5x15 mm	18x r1 Ø15x12 mm #16	8x r15 Ø12x10.5 mm #12
26x r42	2x t34 500 mm	2x w26\CL 500 mm	2x w26\CR 500 mm	2x w26\DL 500 mm	2x w26\DR 500 mm	1x n26\1	1x p38 Ø3.5x16 mm	

1



2





5

