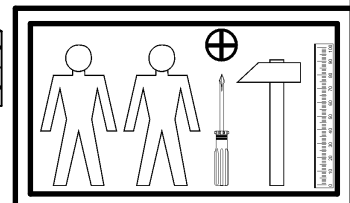
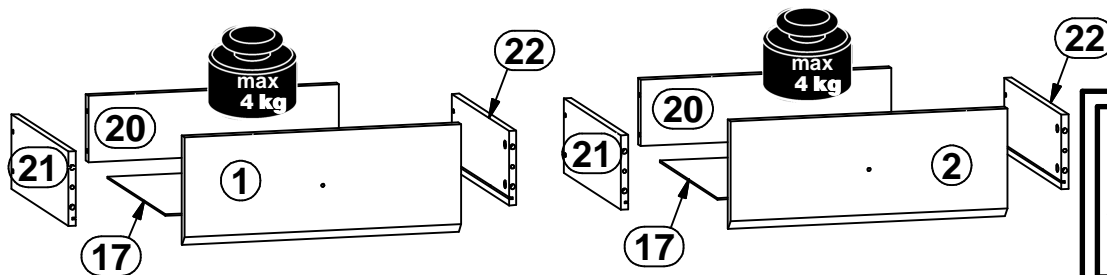
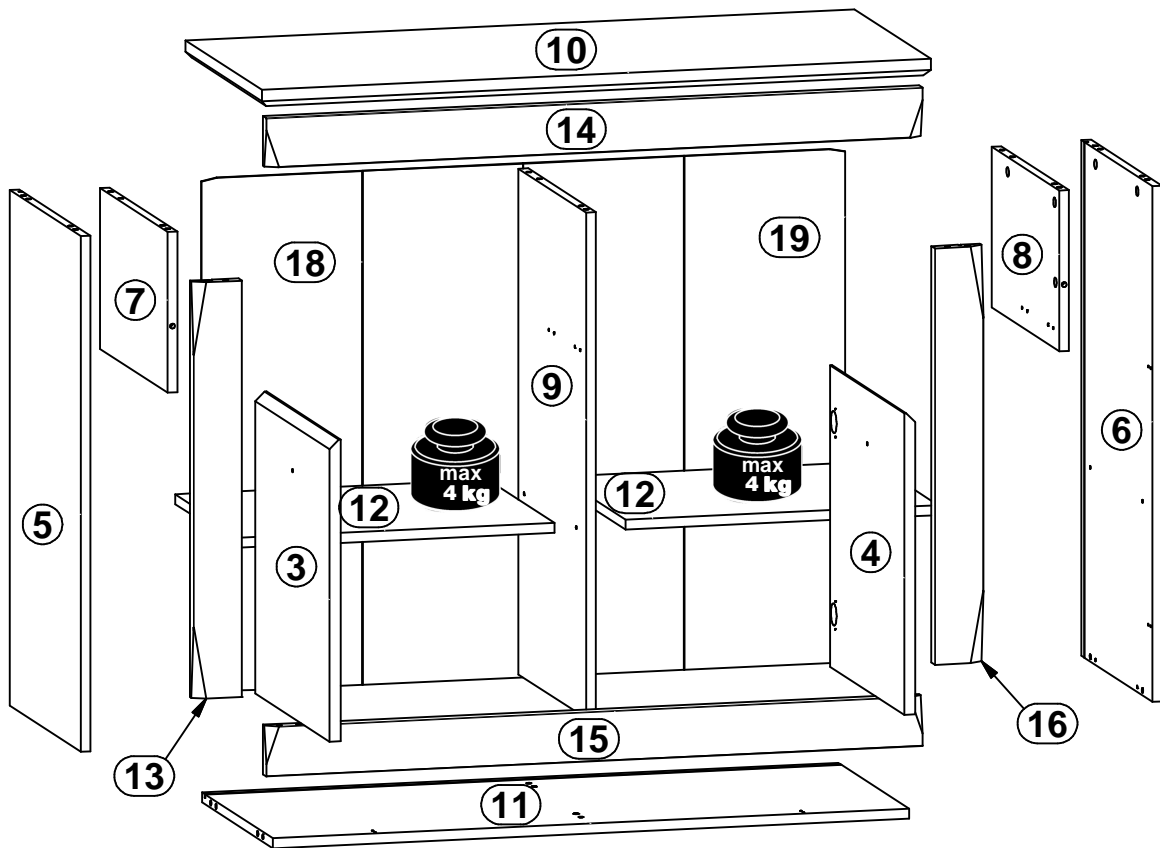
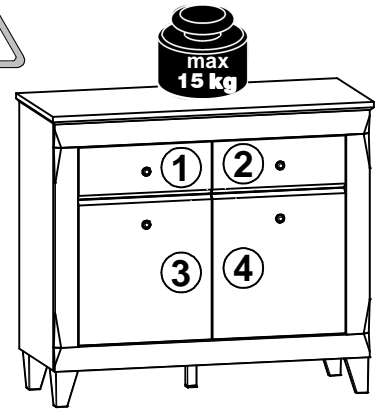


A

BERGEN

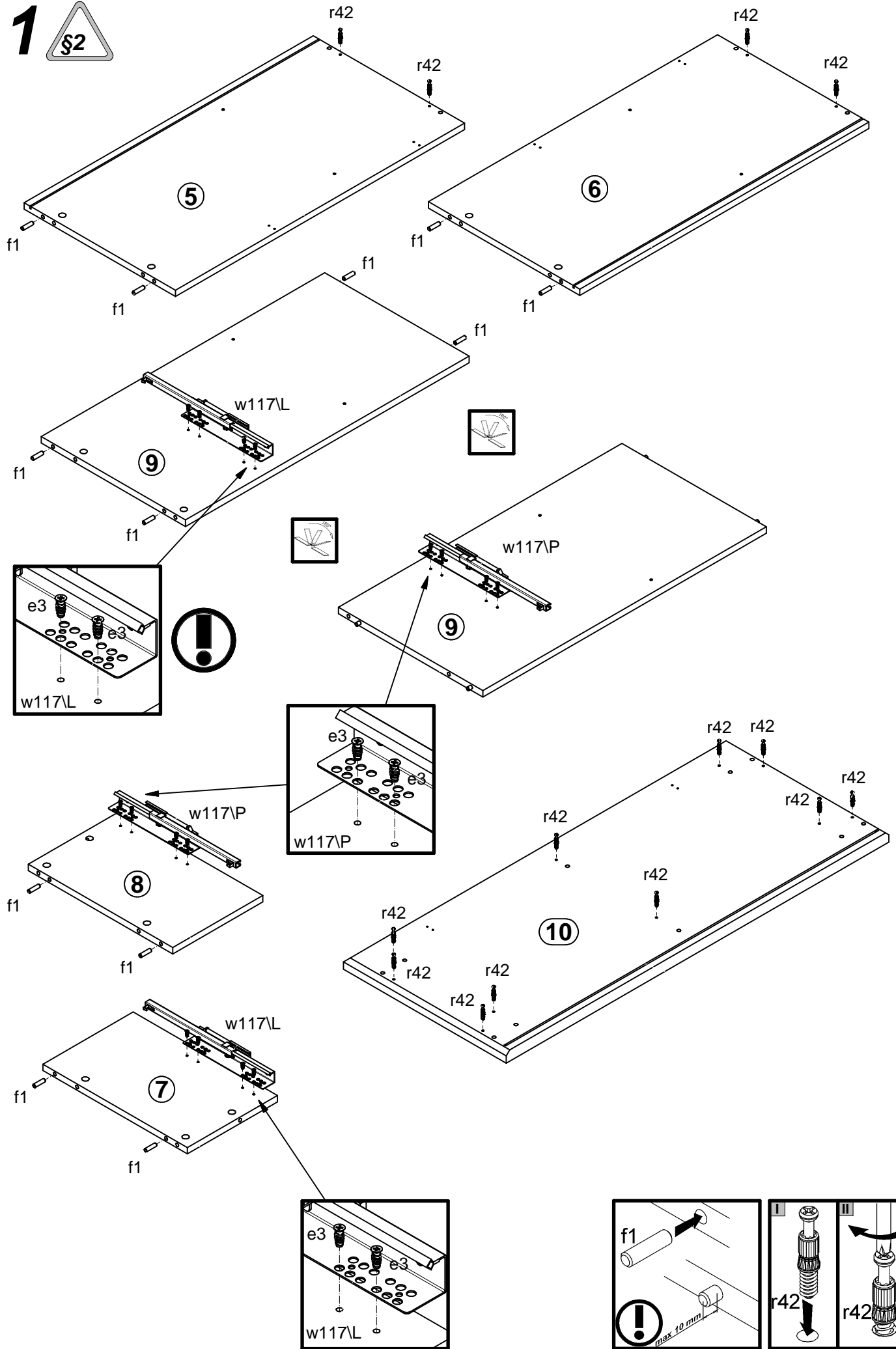
S359-KOM2D2S

A	B	C	D	A	B	C	D		
1	S359-0007	455	176	4/5	12	S359-3006	514	409	1/5
2	S359-0008	455	176	4/5	13	S359-5007	671	80	3/5
3	S359-0009	486	455	4/5	14	S359-5008	1079	80	3/5
4	S359-0010	486	455	4/5	15	S359-5009	1079	80	3/5
5	S359-1009	831	435	1/5	16	S359-5010	671	80	3/5
6	S359-1010	831	435	1/5	17	S359-9002	422	355	1/5
7	S359-1011	259	415	1/5	18	S359-9303	828	529	1/5
8	S359-1012	259	415	1/5	19	S359-9304	828	529	1/5
9	S359-1013	815	415	1/5	20	ZQ2-1513	412	107	1/5
10	S359-2003	1100	468	2/5	21	ZQ3-507	350	120	1/5
11	S359-3005	1046	435	2/5	22	ZQ3-508	350	120	1/5

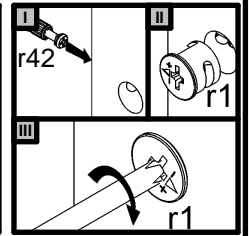
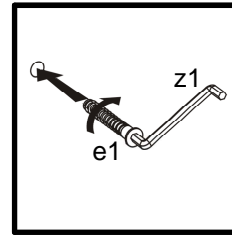
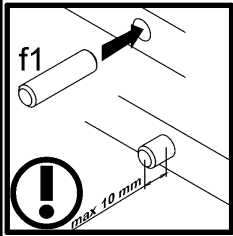
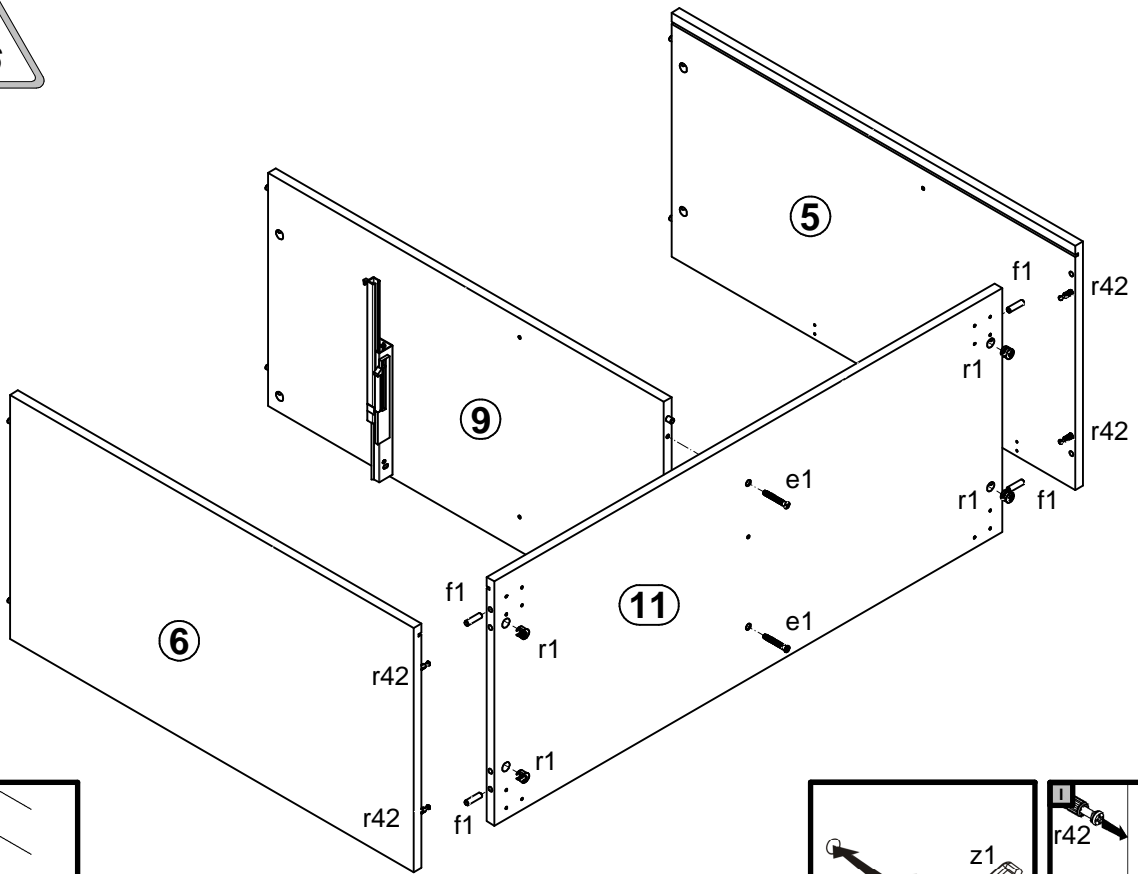


4x a132	2x a133	4x b43	4x c415	8x d1	8x d37	2x e1	9x e2	16x e3
24x f1	8x f25	4x f9	4x j30	4x k125	1x k3813	1x k3817	14x l2	4x n108
12x e58	44x p38	8x p51	4x p55	16x r1	8x r15	24x r42	2x w117L	2x w117P
1x z1							1x n2611	1x p38

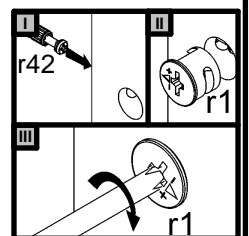
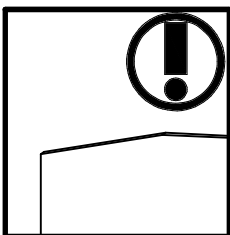
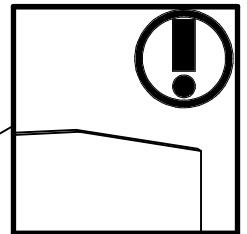
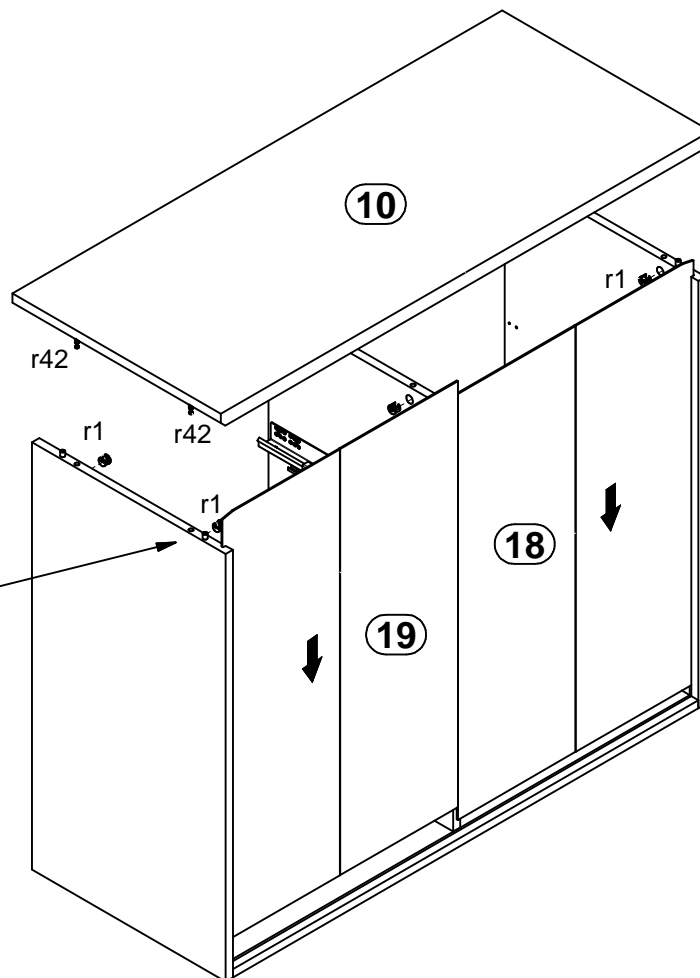
1 



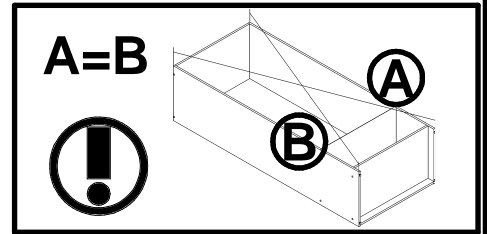
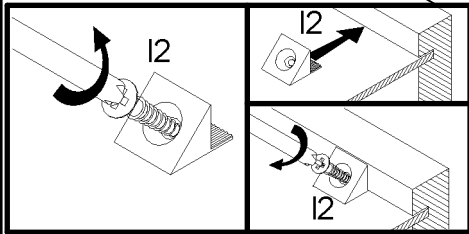
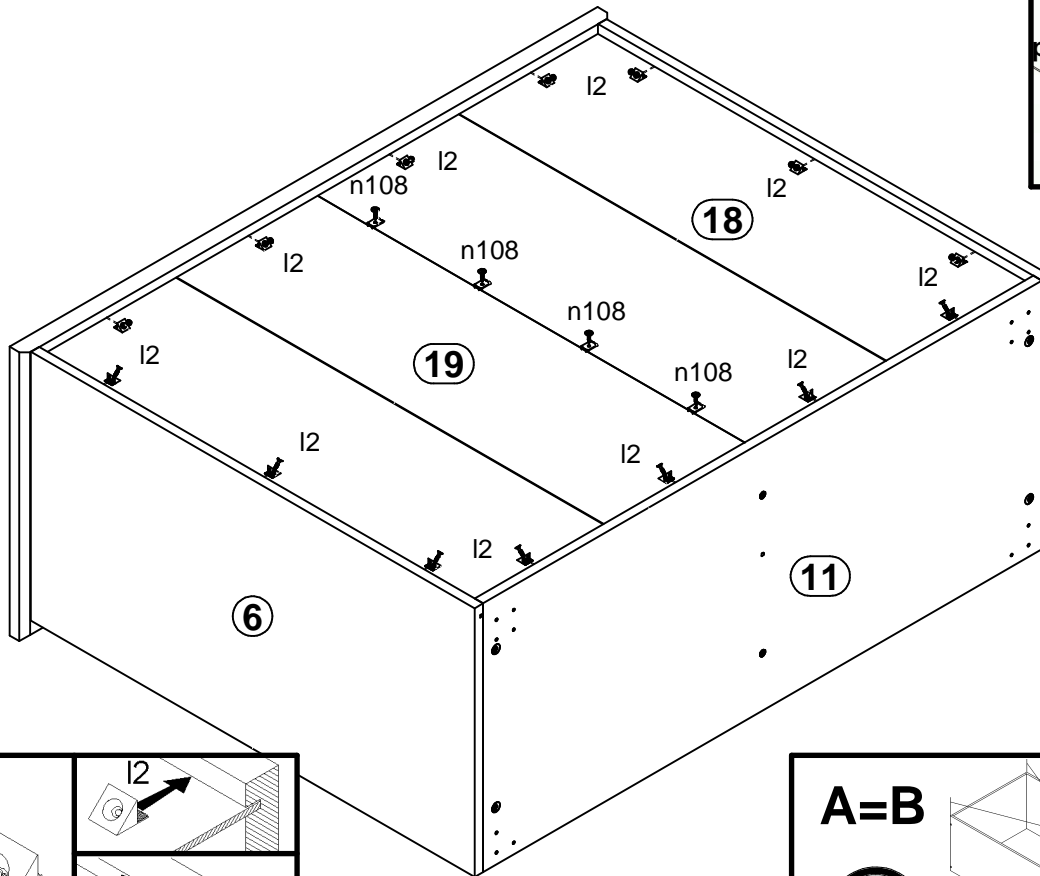
2



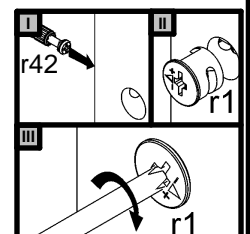
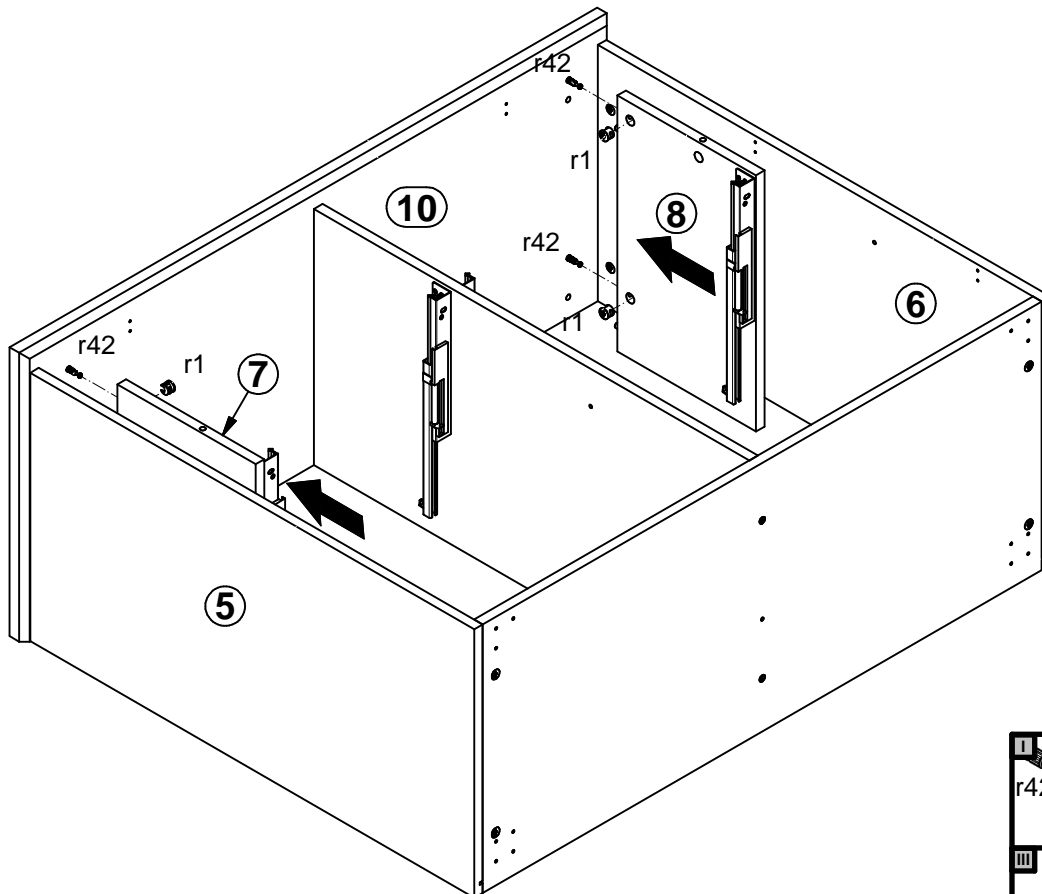
3



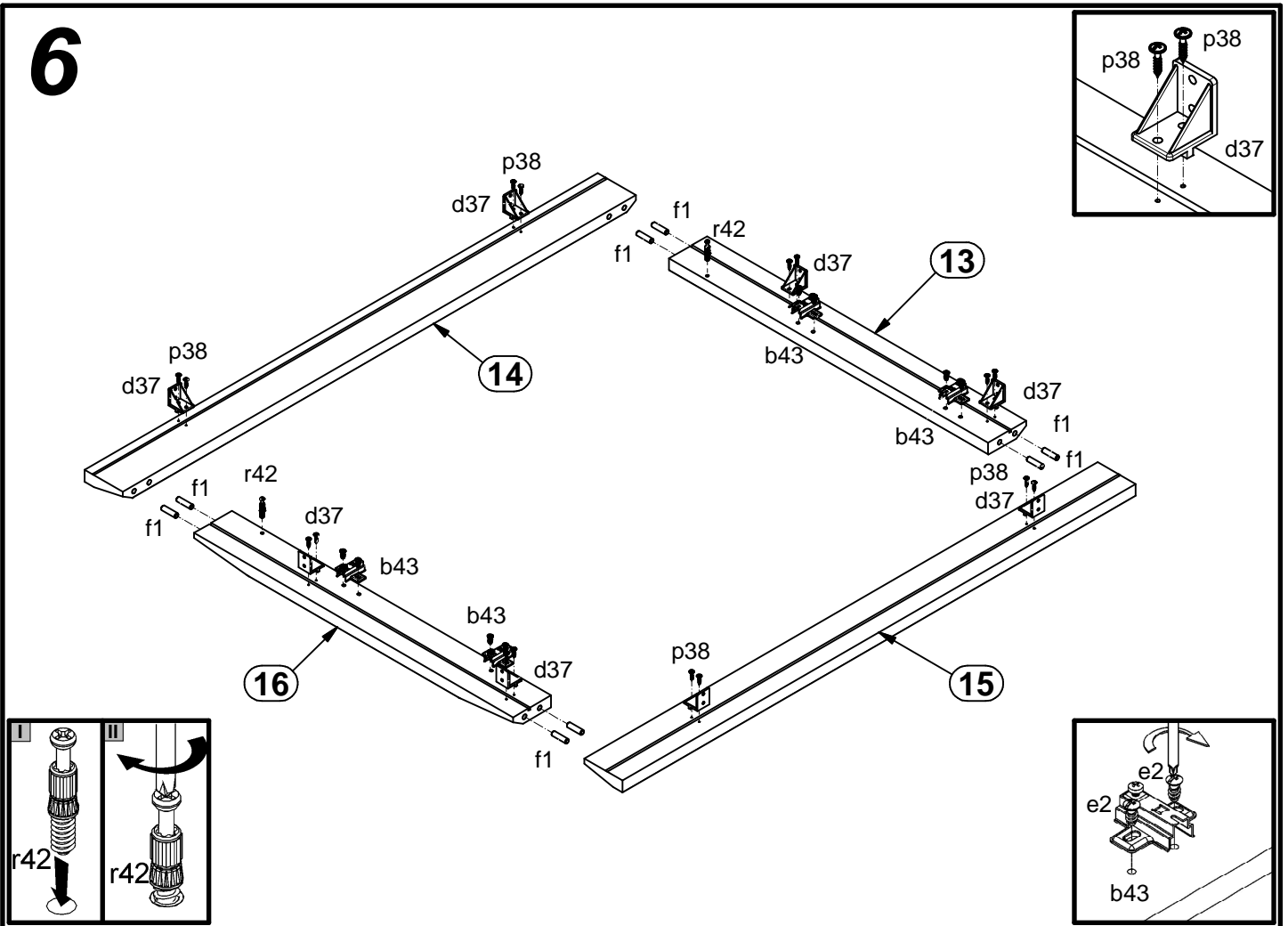
4



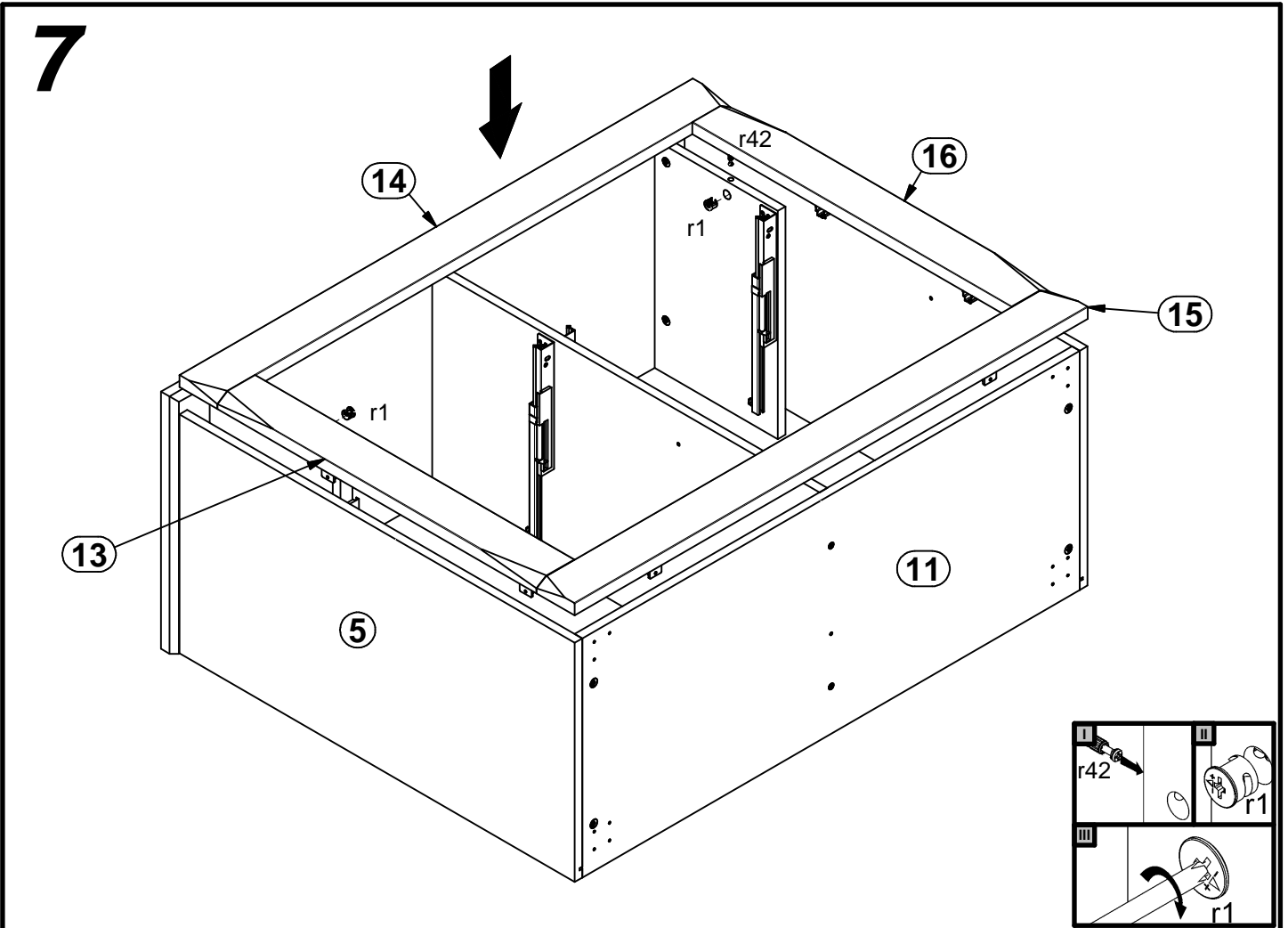
5



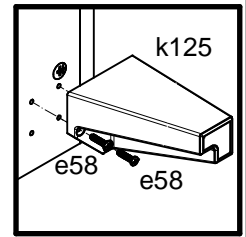
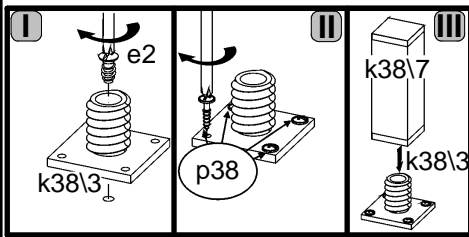
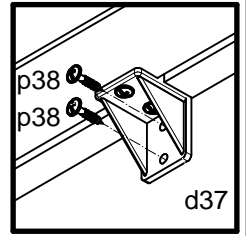
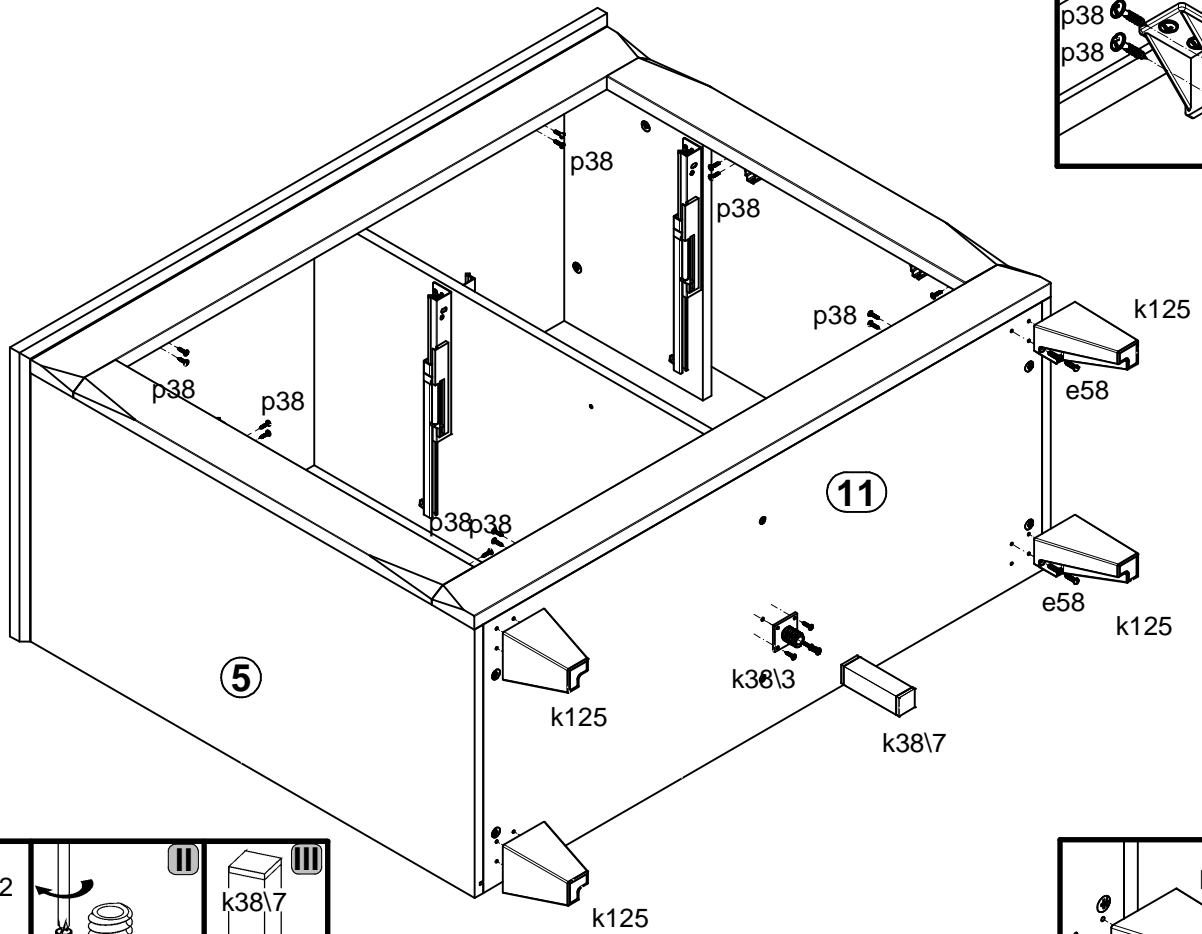
6



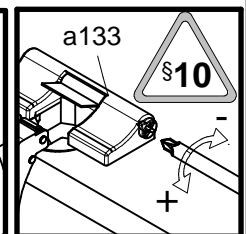
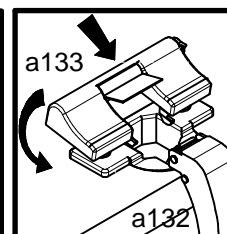
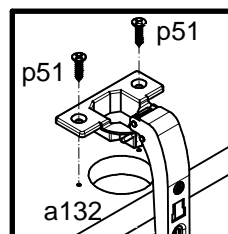
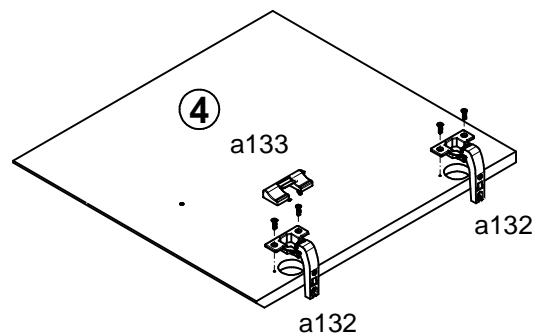
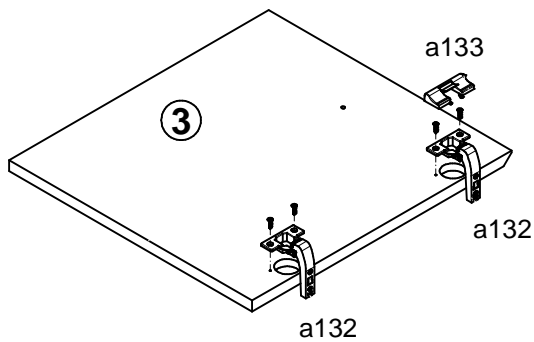
7



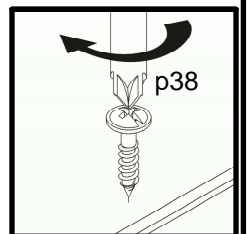
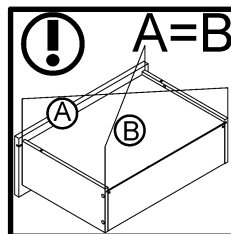
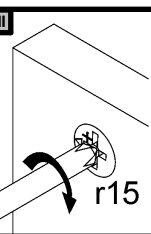
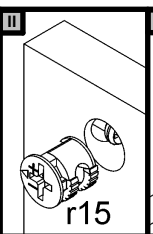
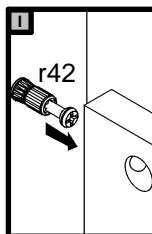
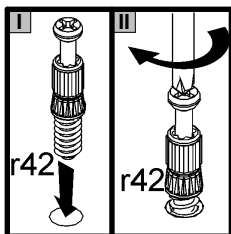
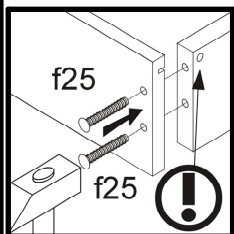
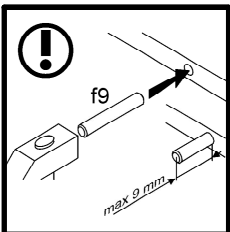
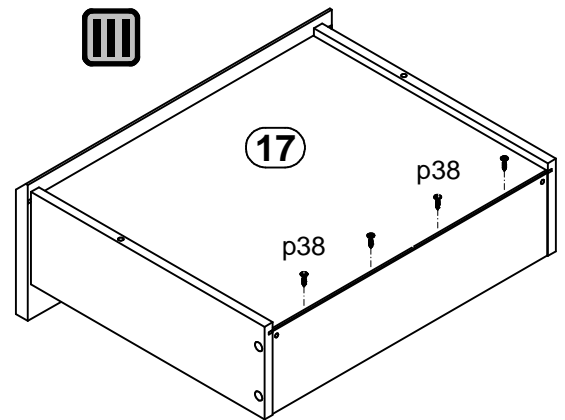
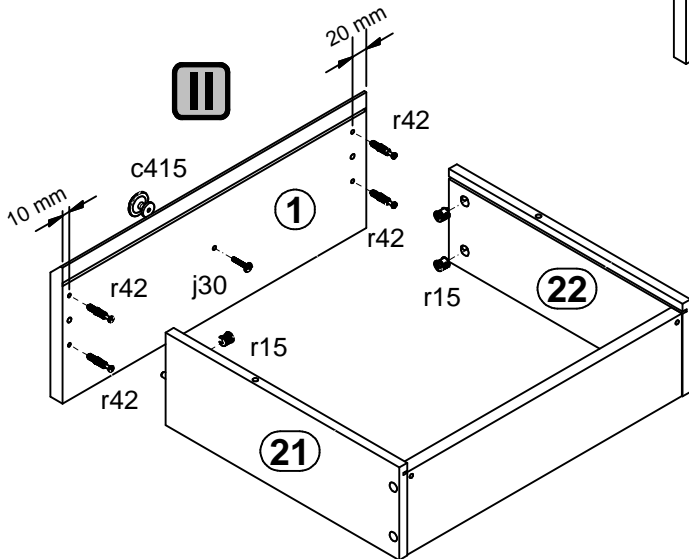
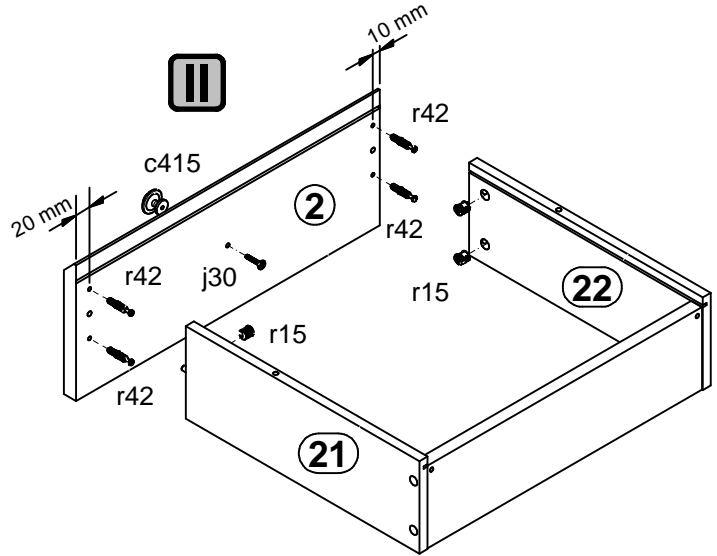
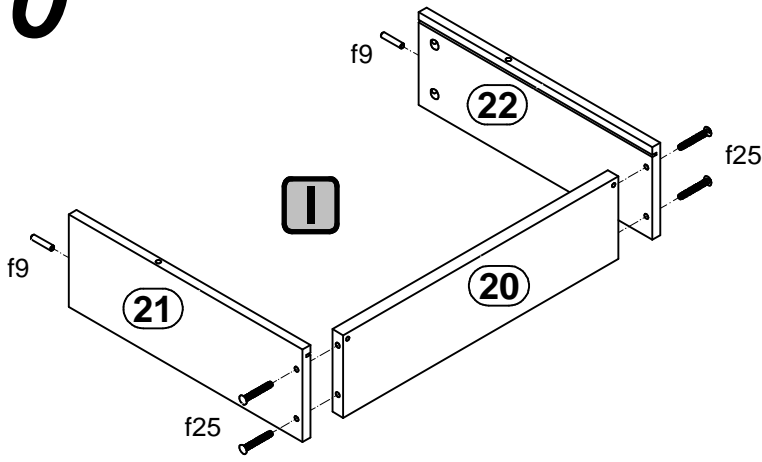
8



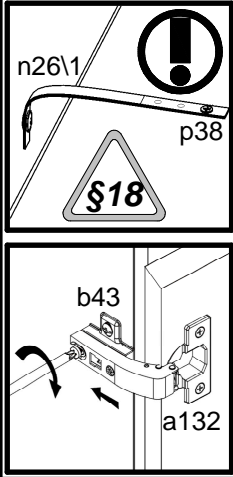
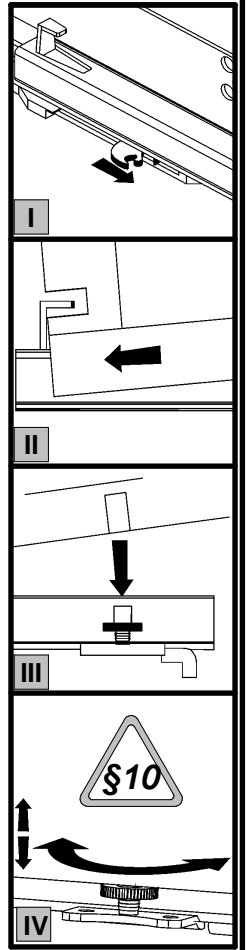
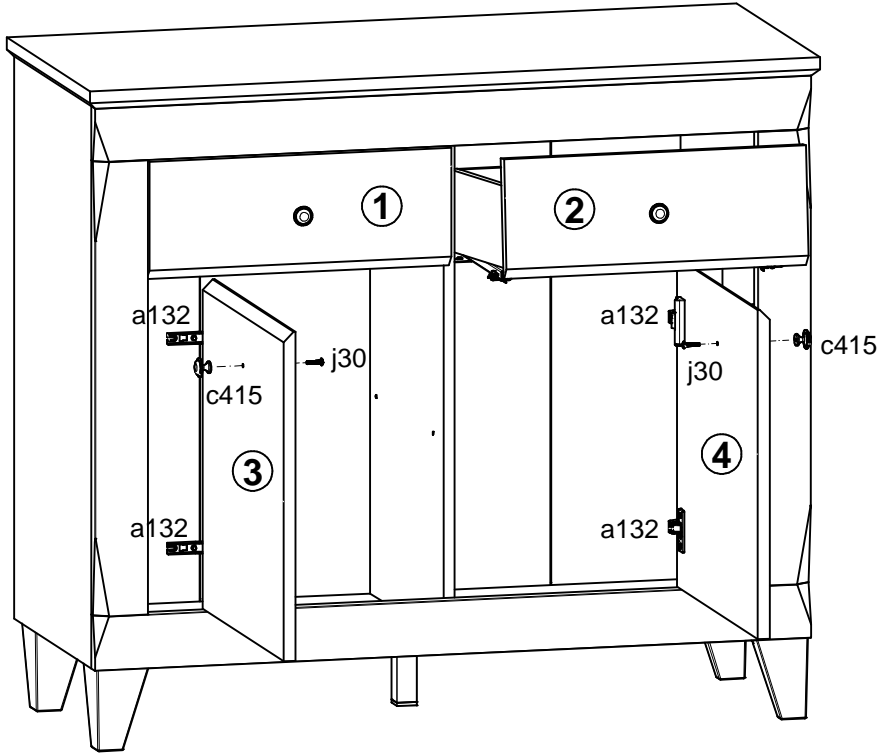
9



10



11



12

