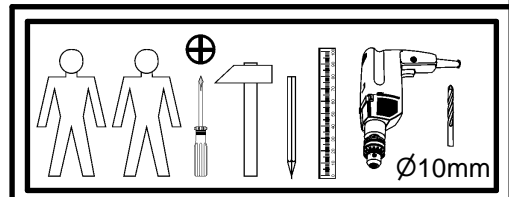
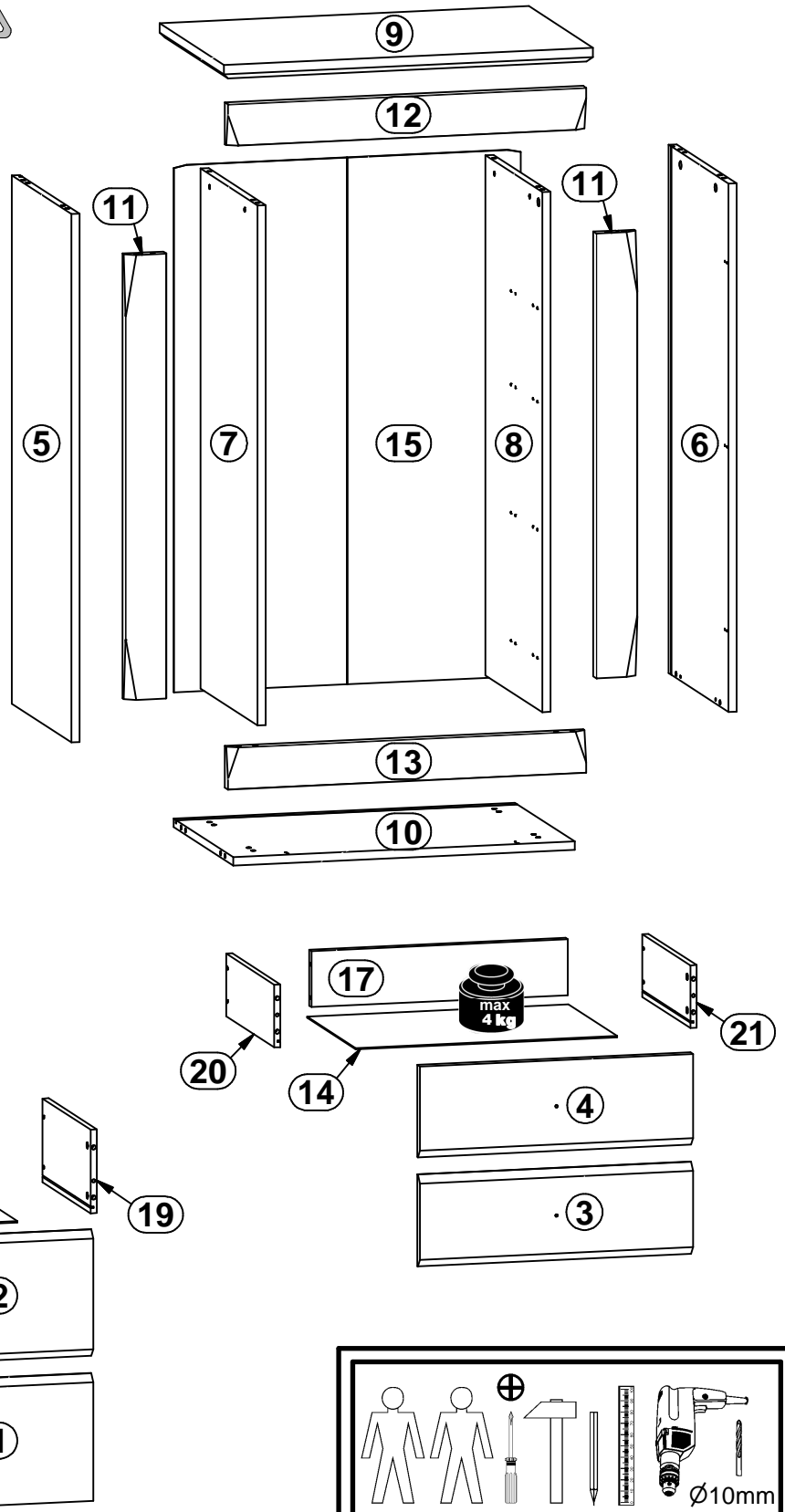
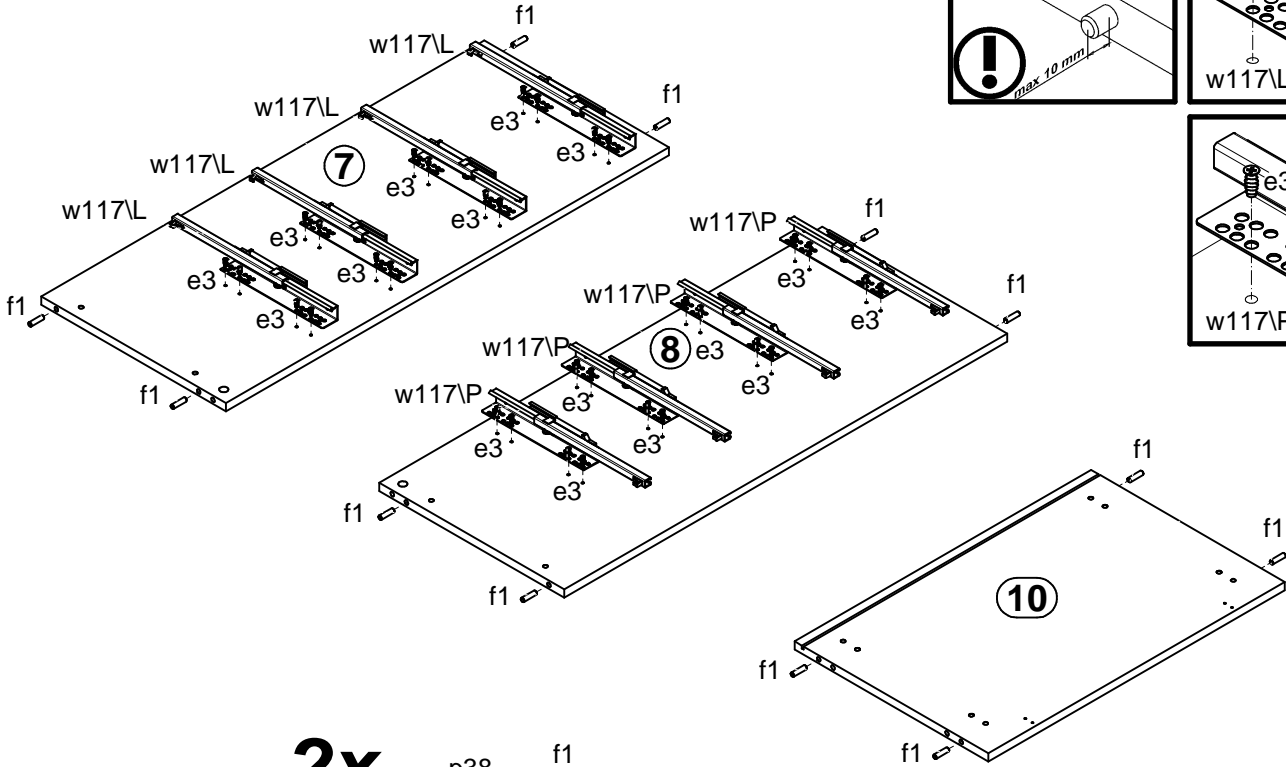
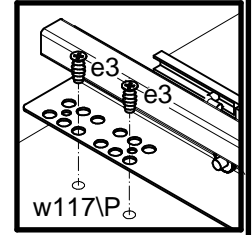
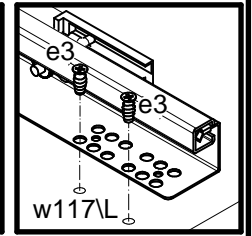
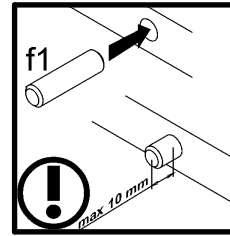


A	B	C	D	
1	S359-0001	533	242	4/5
2	S359-0002	533	242	4/5
3	S359-0003	533	176	4/5
4	S359-0004	533	176	4/5
5	S359-1001	1011	435	1/5
6	S359-1002	1011	435	1/5
7	S359-1003	995	415	1/5
8	S359-1004	995	415	1/5
9	S359-2001	720	468	2/5
10	S359-3001	666	435	2/5
11	S359-5001	851	80	3/5
12	S359-5002	699	80	3/5
13	S359-5003	699	80	3/5
14	S359-9001	510	355	1/5
15	S359-9301	1008	677	1/5
16	ZQ2-1511	500	147	1/5
17	ZQ2-519	500	107	1/5
18	ZQ3-503	350	160	1/5
19	ZQ3-504	350	160	1/5
20	ZQ3-507	350	120	1/5
21	ZQ3-508	350	120	1/5

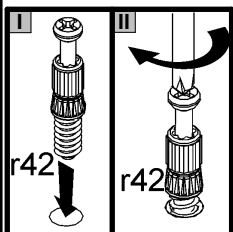
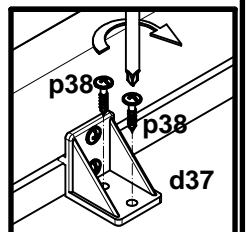
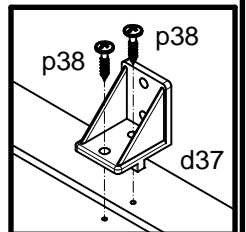
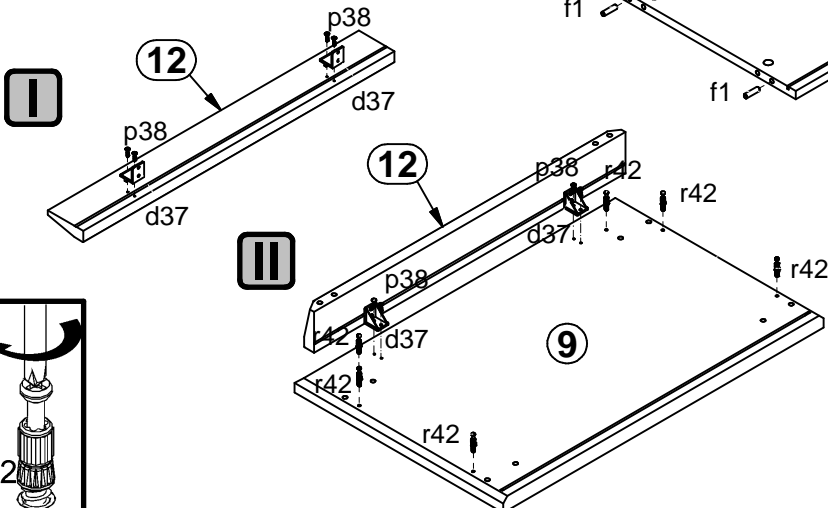
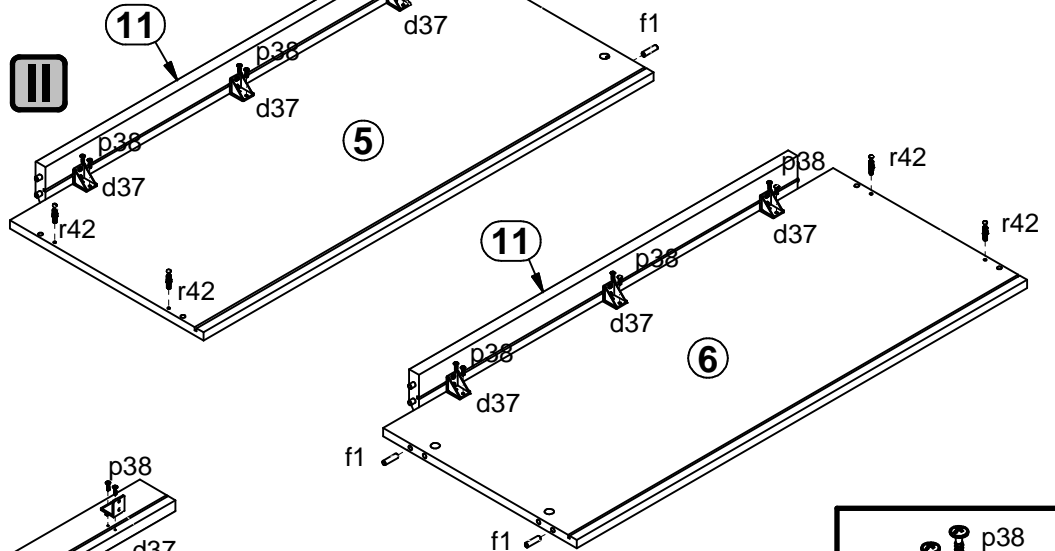
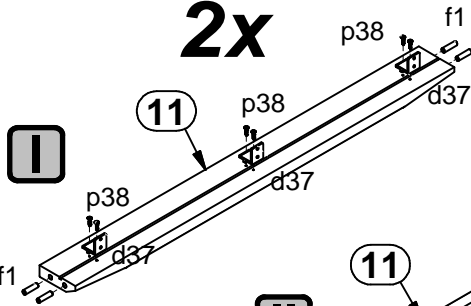


4x M4 c415	10x d37	4x Ø7x50 mm e1	32x Ø6x13 mm e3	24x Ø8x30 mm f1	8x Ø6x30 mm f9	16x Ø6.5x40 mm f25	4x M4x22 mm j30	4x k125
10x l2	56x Ø3.5x16 mm p38	12x Ø5x18 mm e58	10x Ø15x12 mm #16 r1	16x Ø12x10.5 mm #12 r15	26x 20/11 r42	4x 350 mm W117/L	4x 350 mm W117/P	
						1x 4 mm z1	1x n26/1	1x Ø3.5x16 mm p38

1  

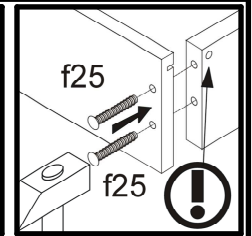
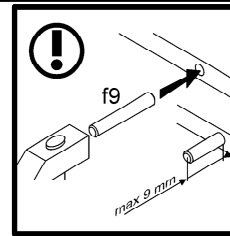
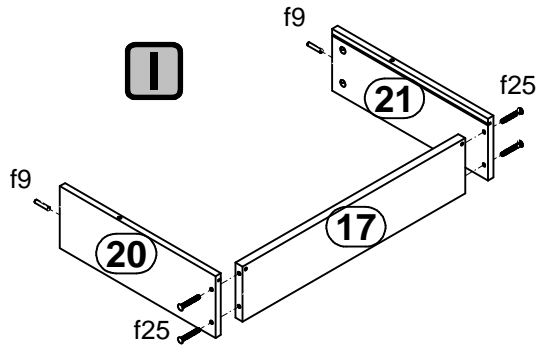


2x

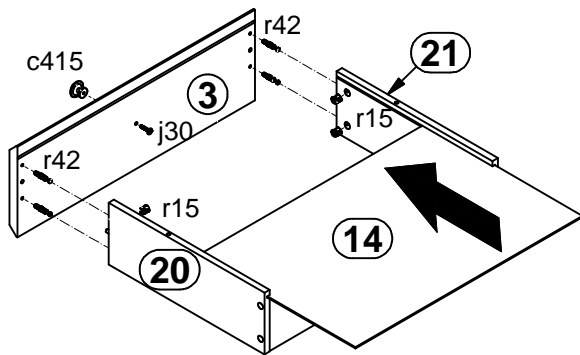
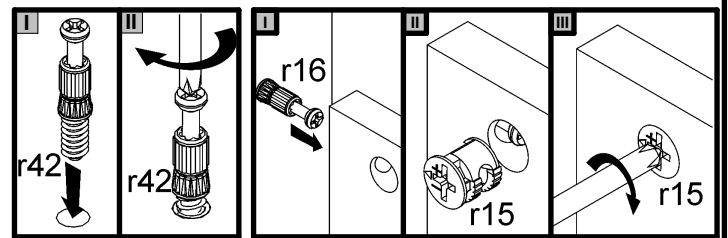
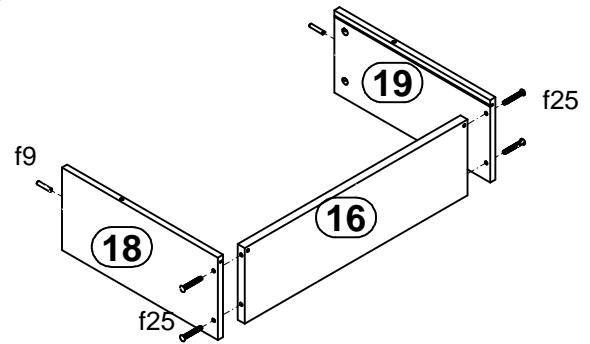
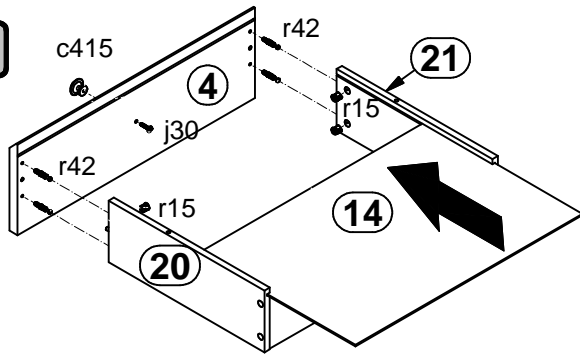


2

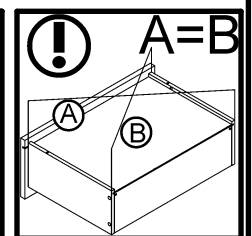
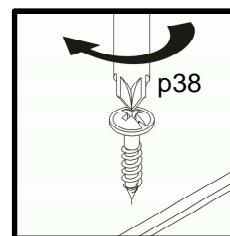
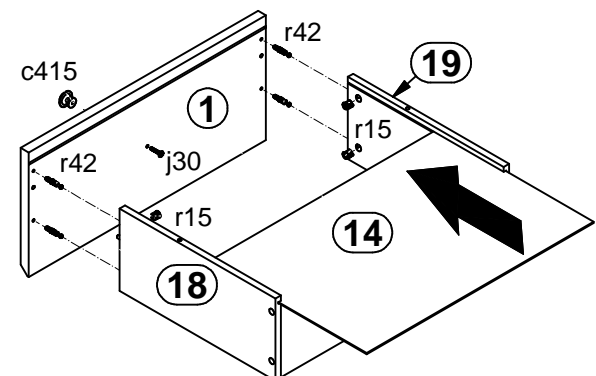
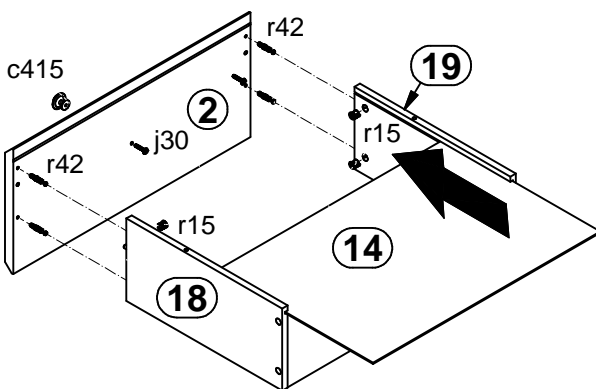
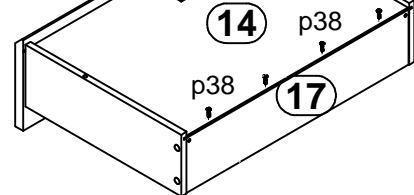
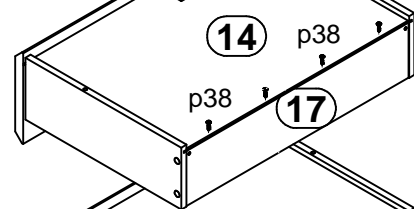
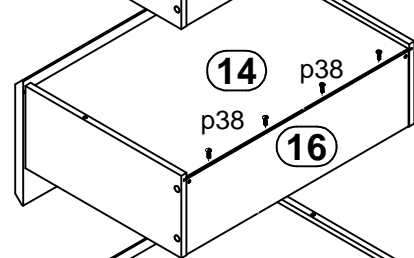
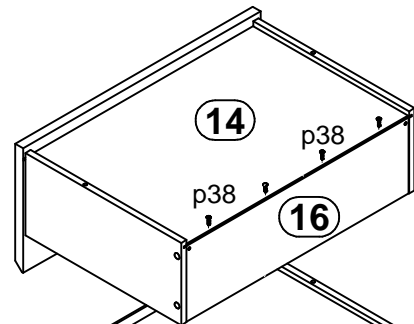
I



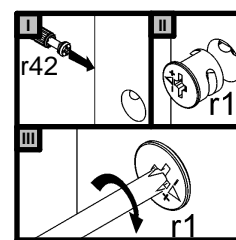
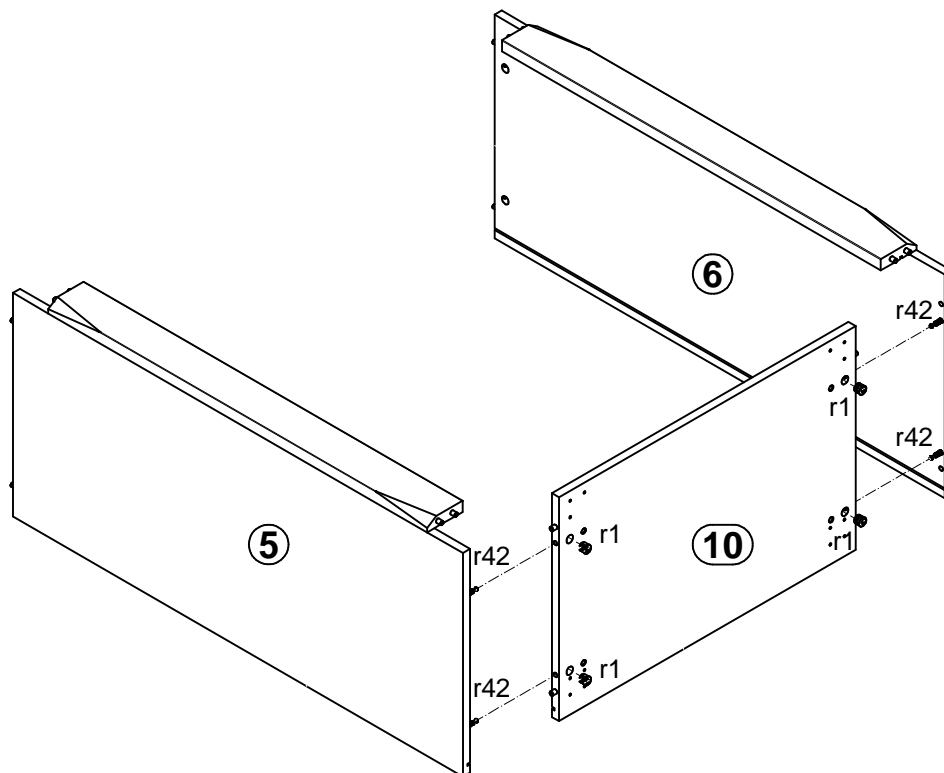
II



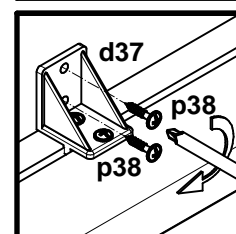
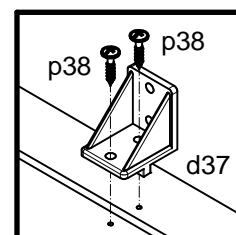
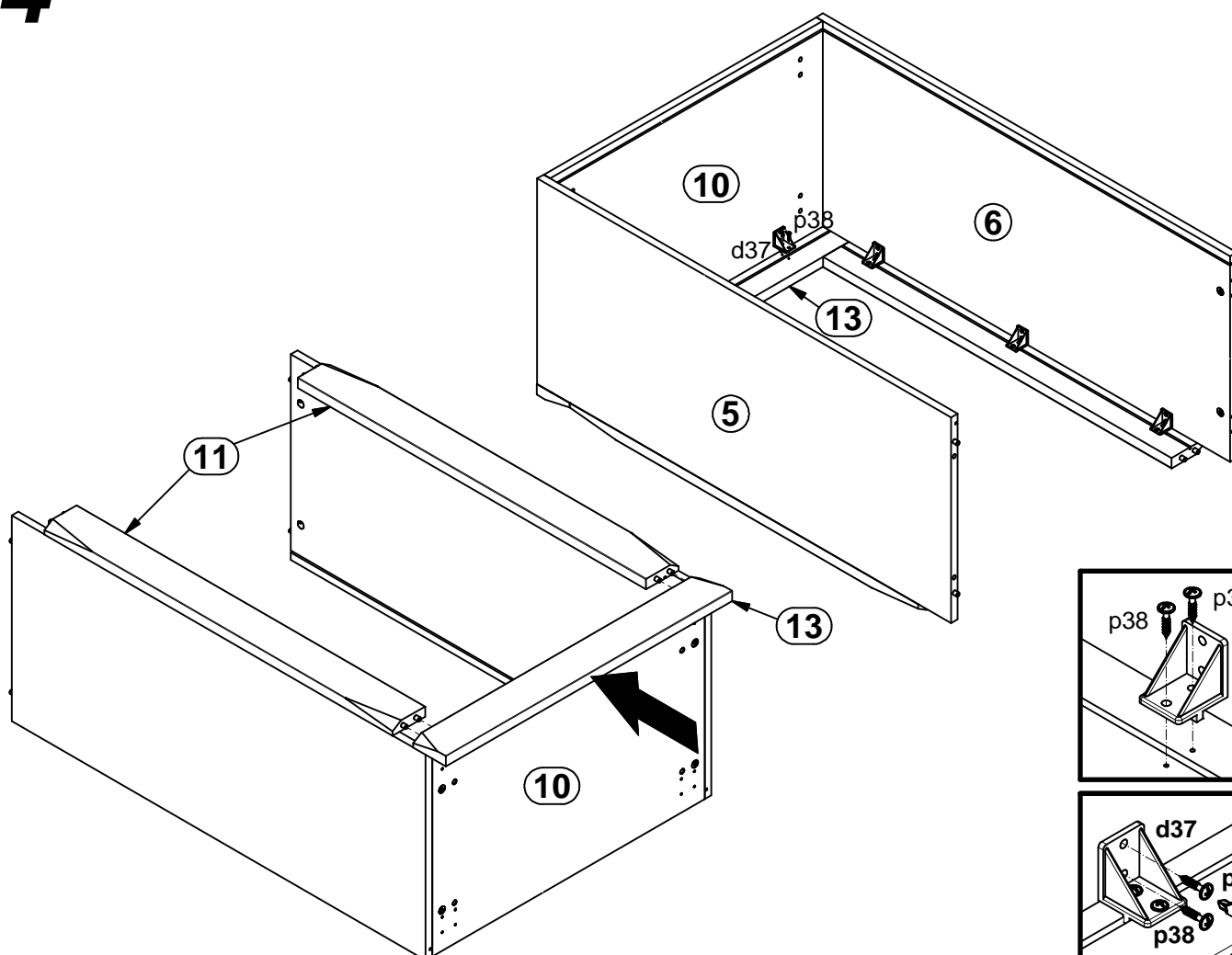
III



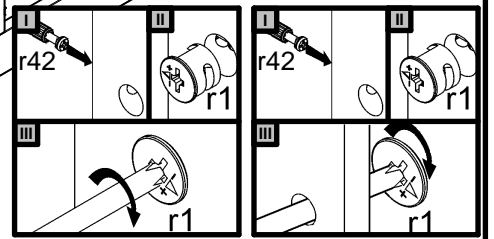
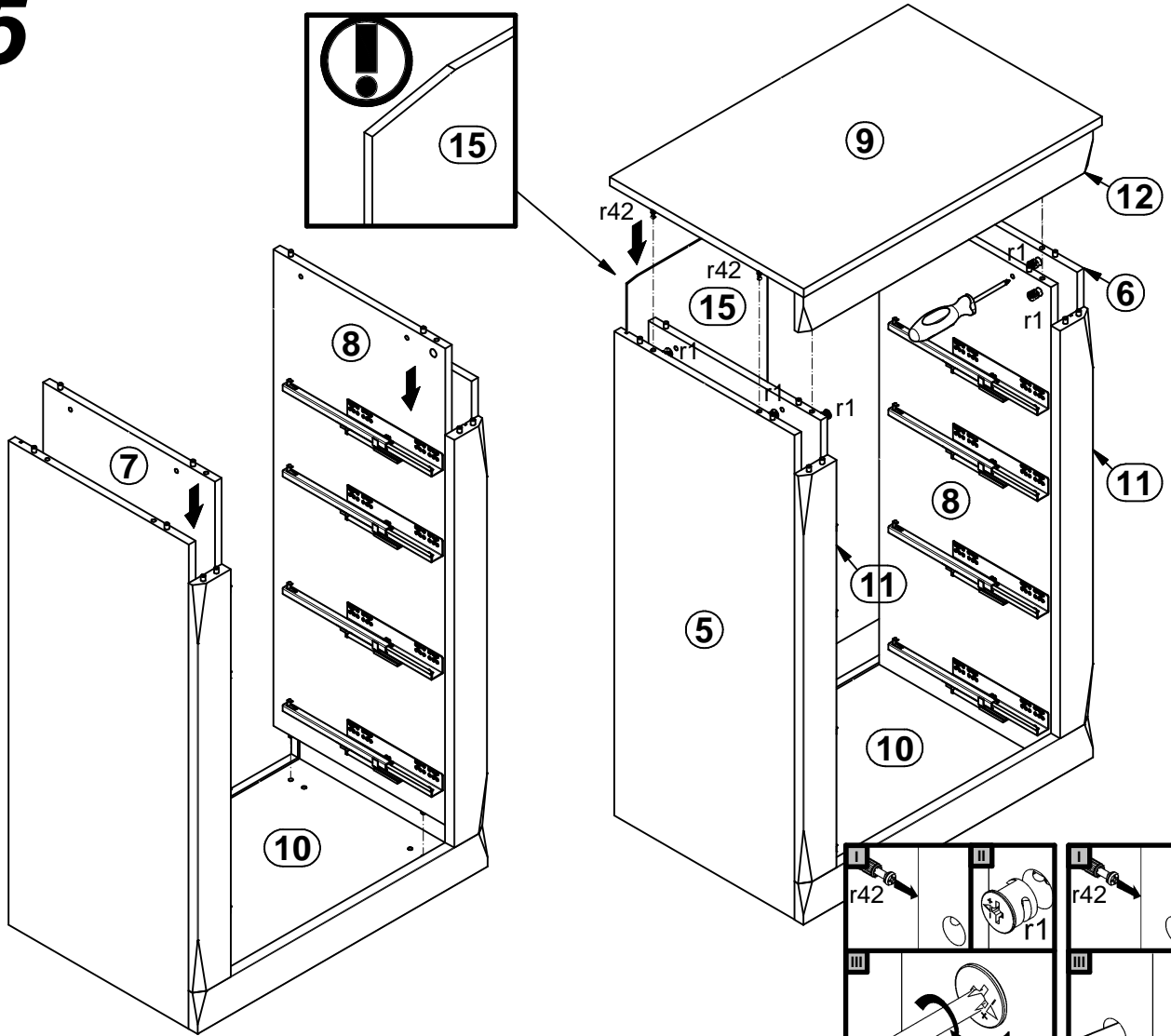
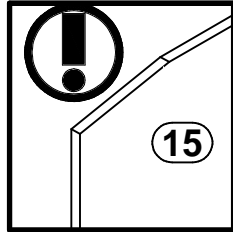
3



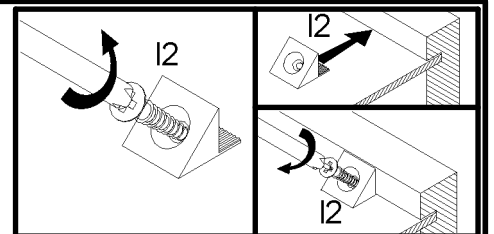
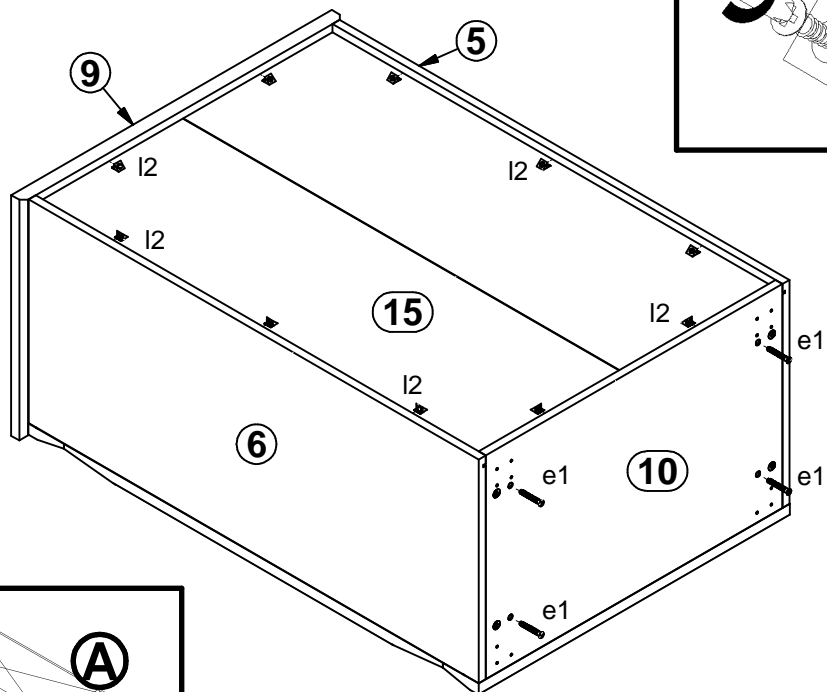
4



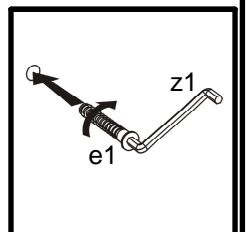
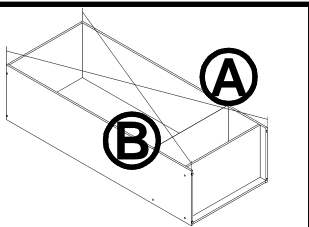
5



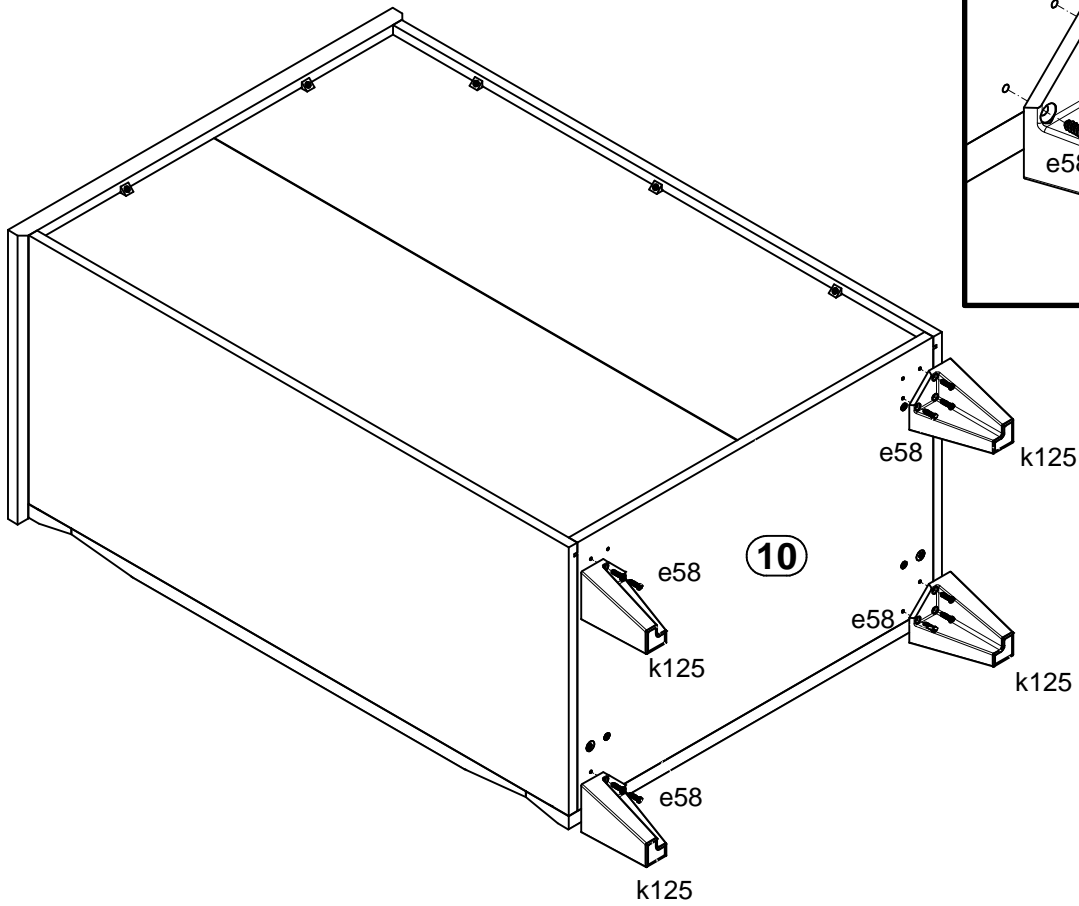
6



A=B



7



8

