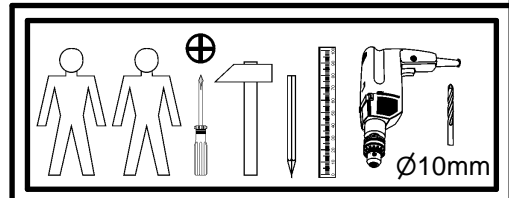
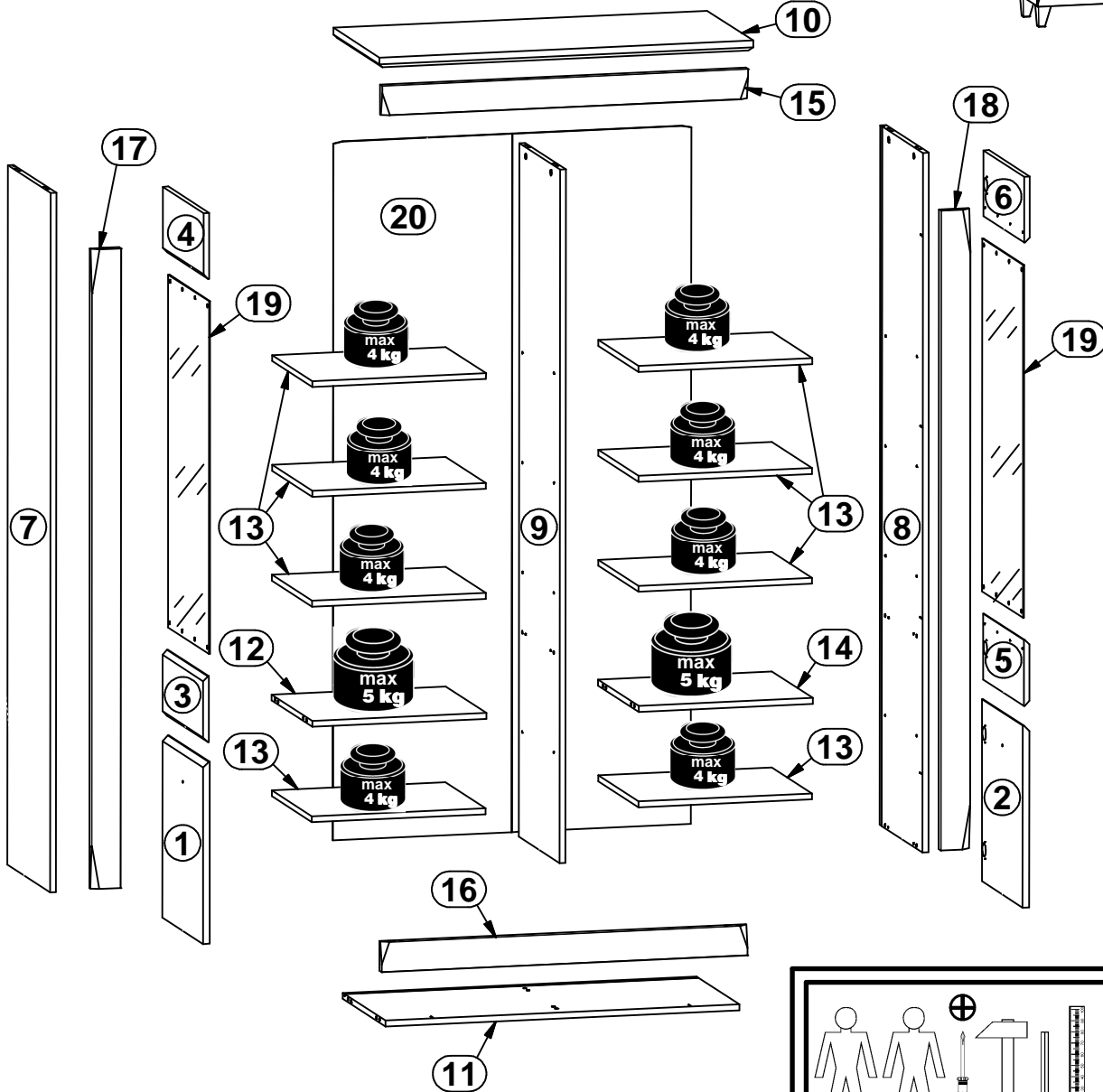
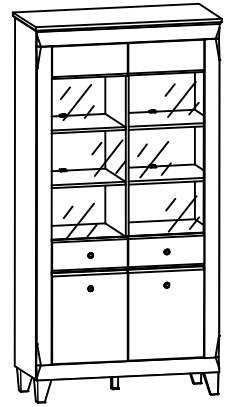
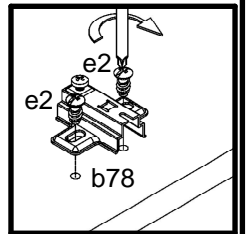
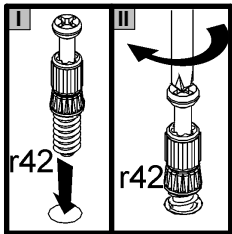
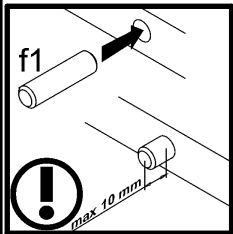
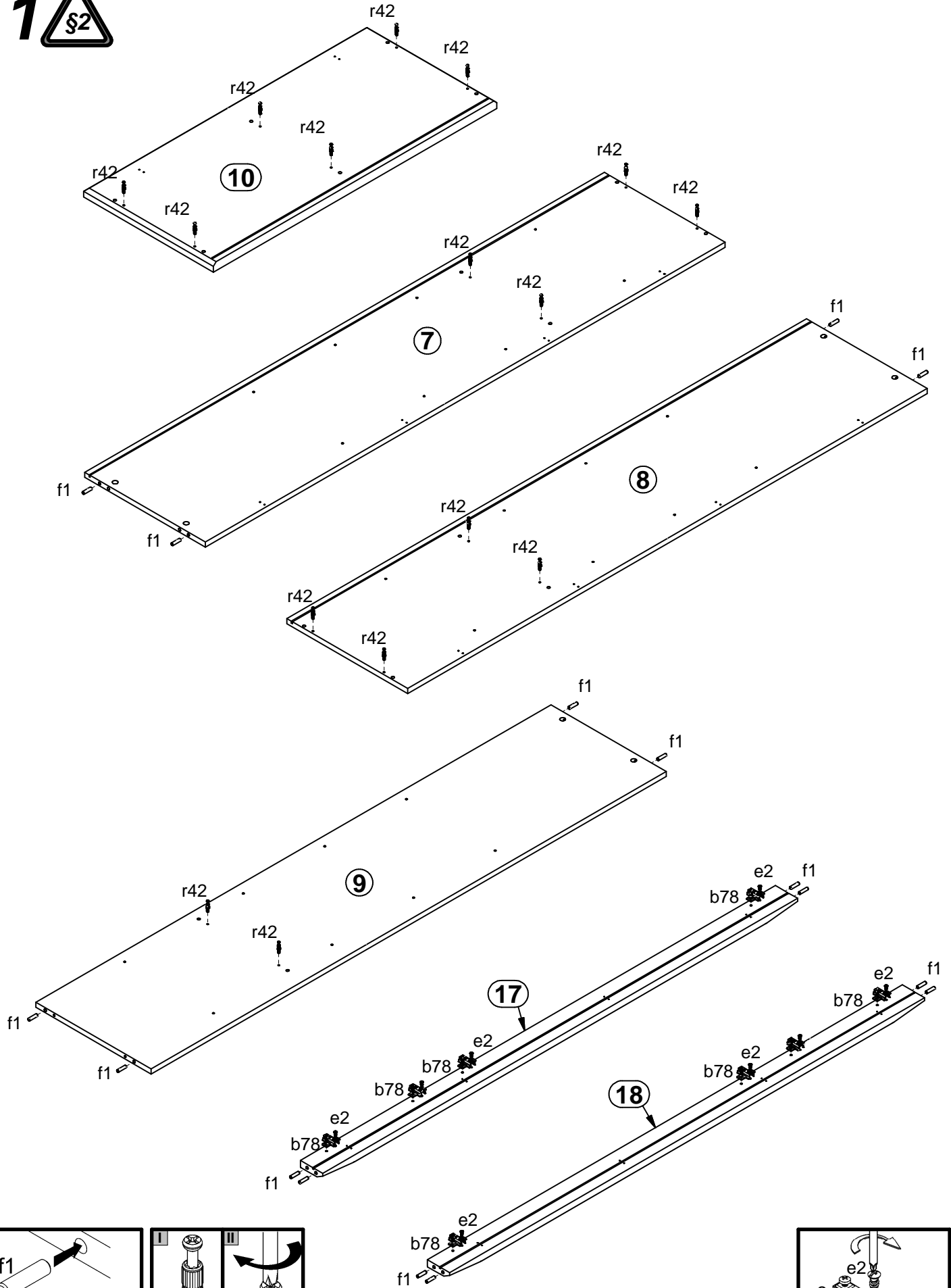


A	B	C	D	A	B	C	D		
1	S359-0015	487	415	5/7	11	S359-3011	966	435	2/7
2	S359-0016	487	415	5/7	12	S359-3012	475	415	2/7
3	S359-0017	415	176	6/7	13	S359-3014	474	409	2/7
4	S359-0018	415	176	6/7	14	S359-3015	475	415	2/7
5	S359-0019	415	176	6/7	15	S359-5015	999	80	3/7
6	S359-0020	415	176	6/7	16	S359-5016	999	80	3/7
7	S359-1021	1872	435	1/7	17	S359-5017	1712	80	3/7
8	S359-1022	1872	435	1/7	18	S359-5018	1712	80	3/7
9	S359-1023	1856	415	1/7	19	S359-5019	944	415	4/7
10	S359-2006	1020	468	2/7	20	S359-9306	1869	977	1/7

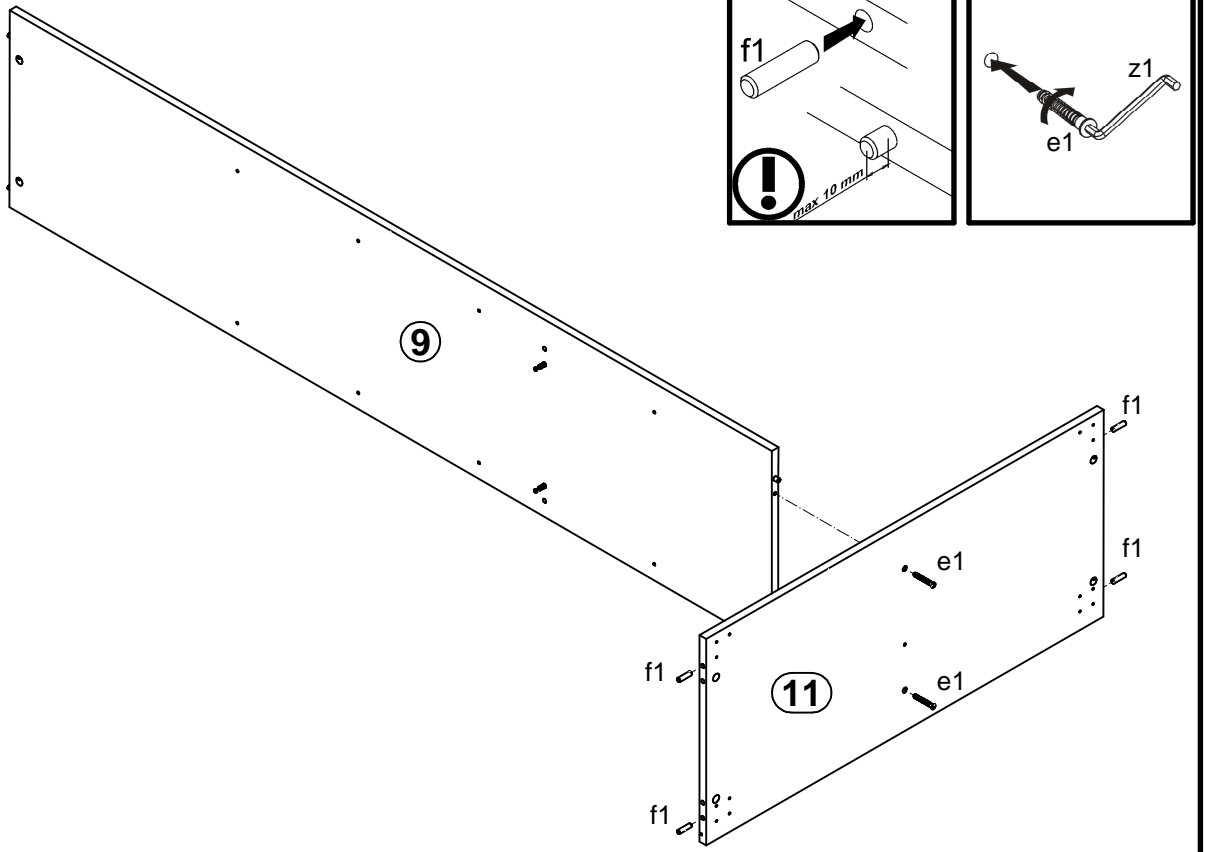


4x a63 h=3 mm l=45 mm	8x a132	4x a133	8x b78	4x c415 M4	32x d1 Ø5x17 mm	12x d37	2x e1 Ø7x50 mm	17x e2 Ø6,3x13 mm
16x e41 Ø5x12 mm	12x e58 Ø5x18 mm	28x f1 Ø8x30 mm	1x f35 Ø10x50 mm	2x j1 M4x20 mm	2x j30 M4x22 mm	1x k38/3 42,5x42,5/4 mm	1x k38/7 30x30/108 mm	4x k125
10x l1	14x l2	1x n14/2 86x21x15/1,5	16x o54 Ø5,3/Ø8,3x4,8 mm	1x o70/6 2,4W	1x p17 Ø5x60 mm	54x p38 Ø3,5x16 mm	8x p51 Ø3,5x15 mm	
4x o114 d=16 mm	8x p143 Ø3,5x18 mm	18x r1 Ø15x12 mm #16	18x r42 20/11	6x s68 Ø 20mm	1x z1 4 mm			

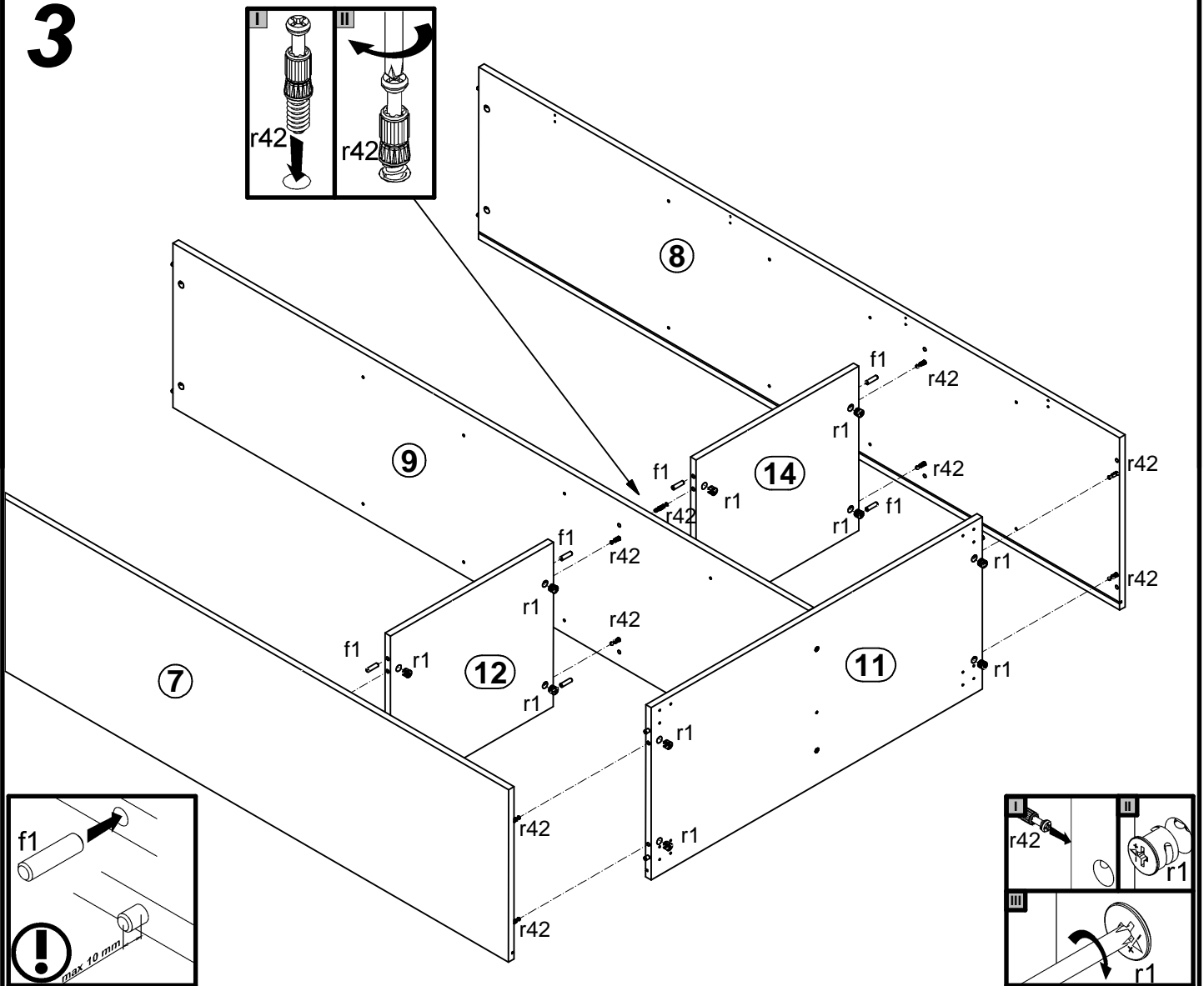
1 



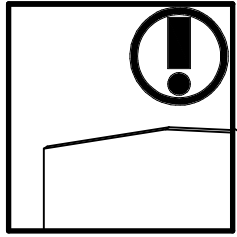
**2** §6



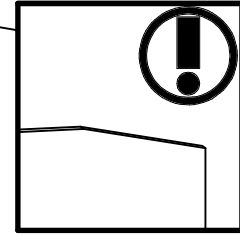
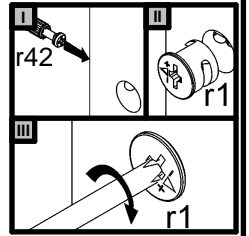
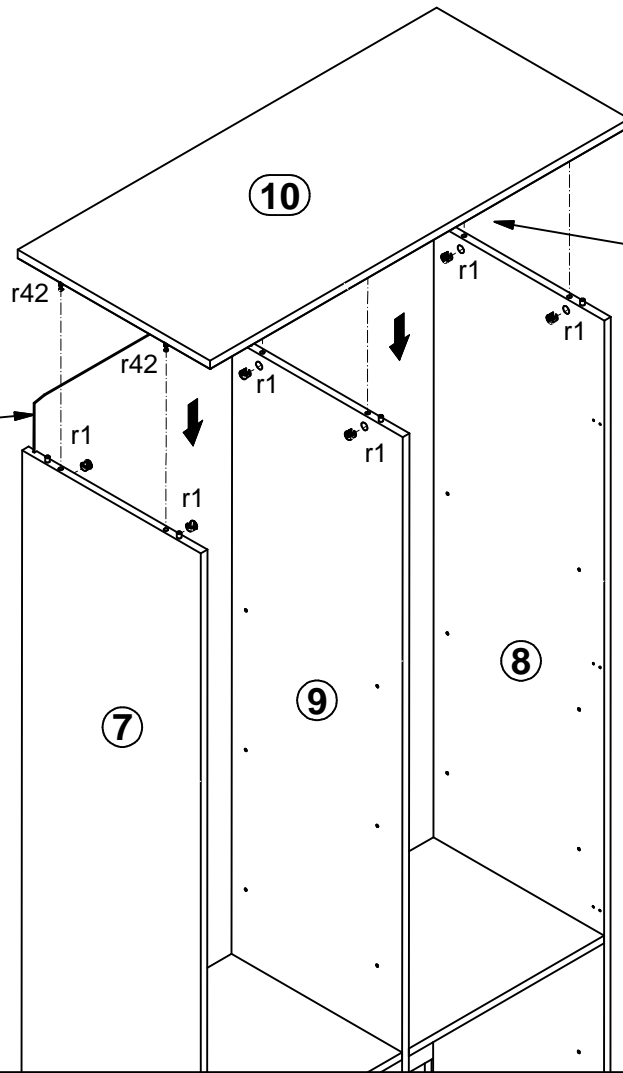
**3**



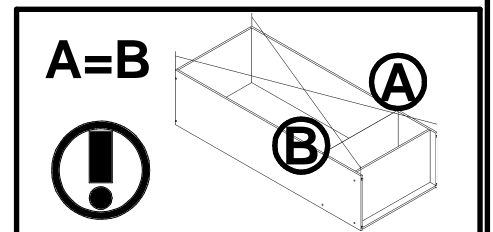
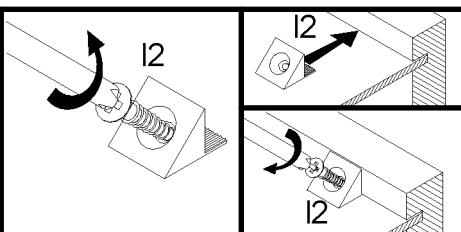
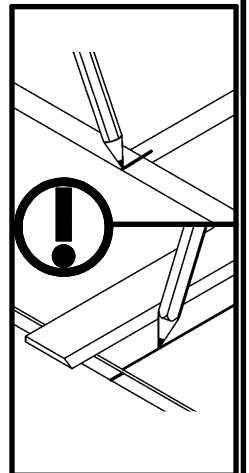
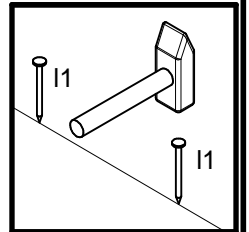
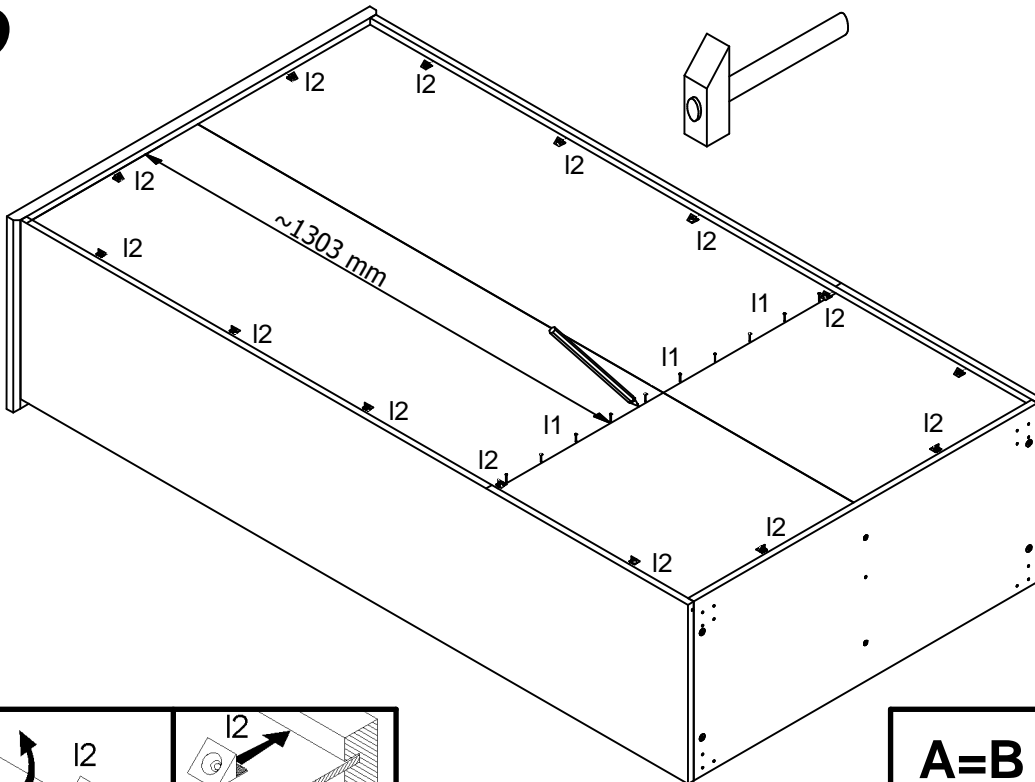
# 4



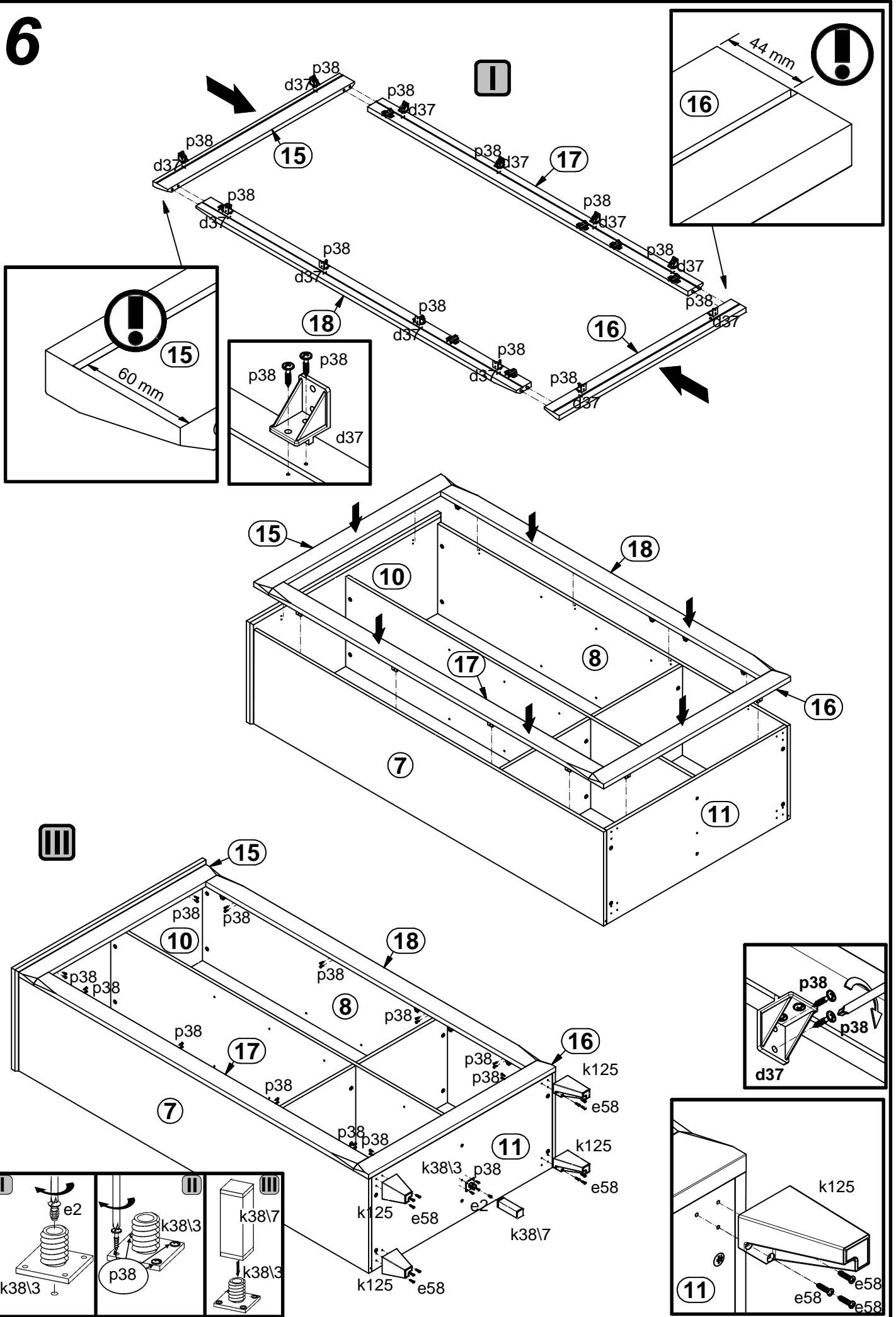
20



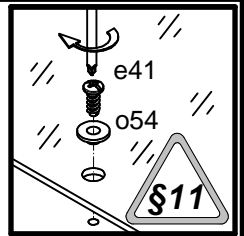
# 5



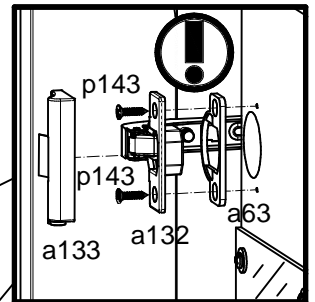
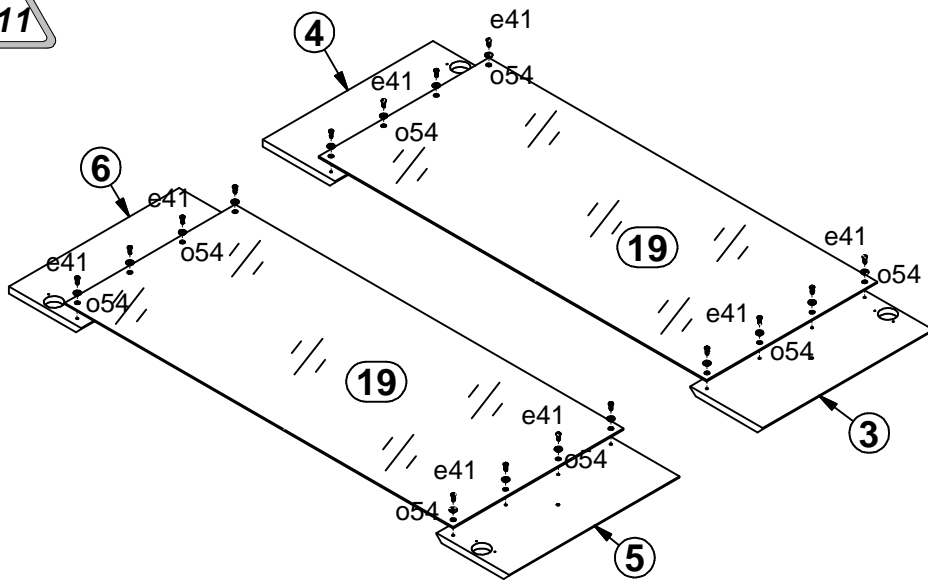
# 6



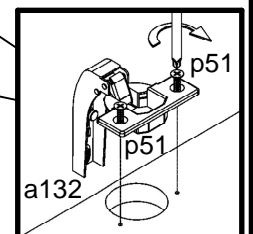
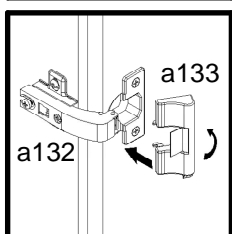
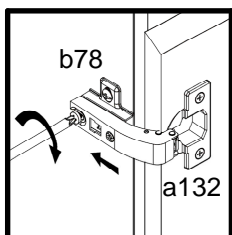
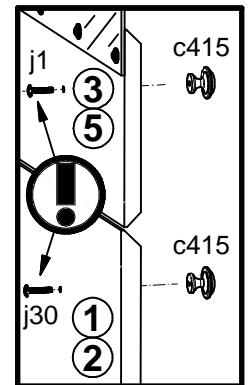
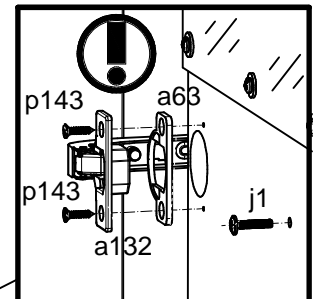
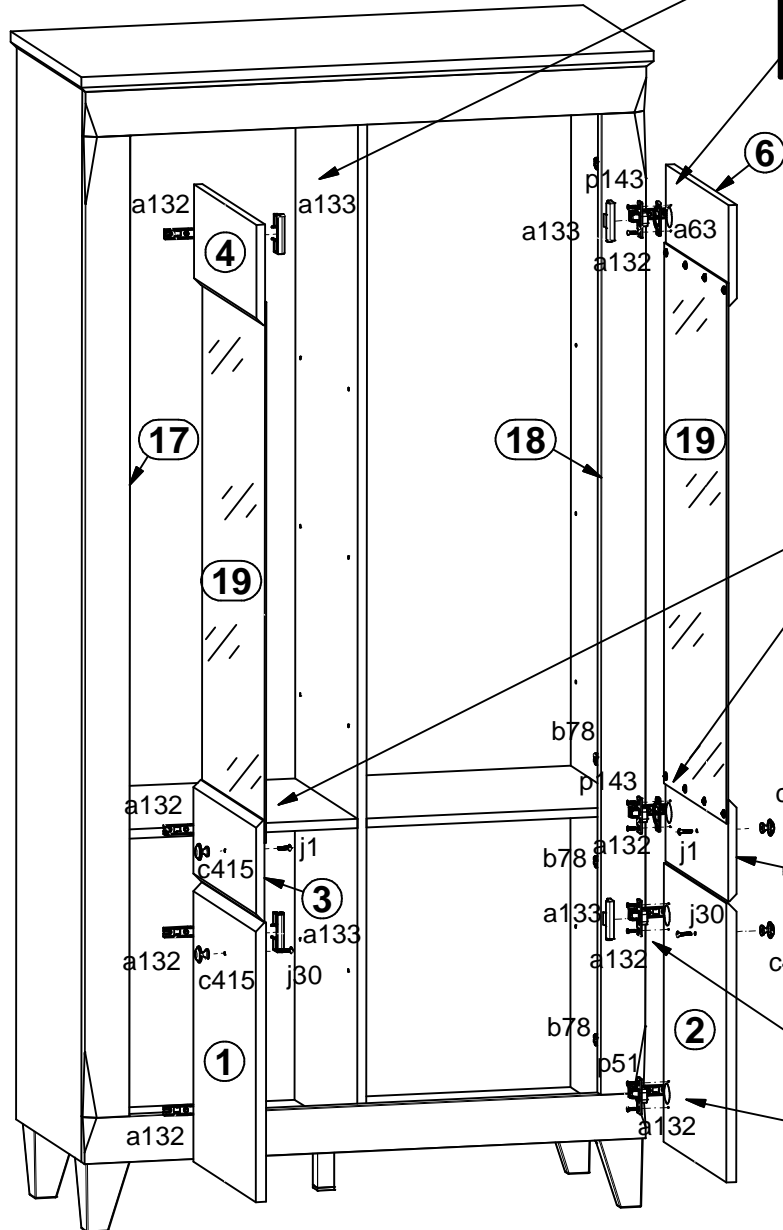
# 7



**I**

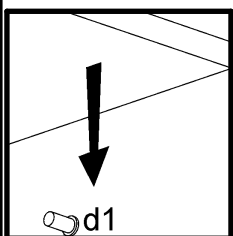
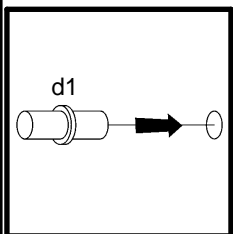
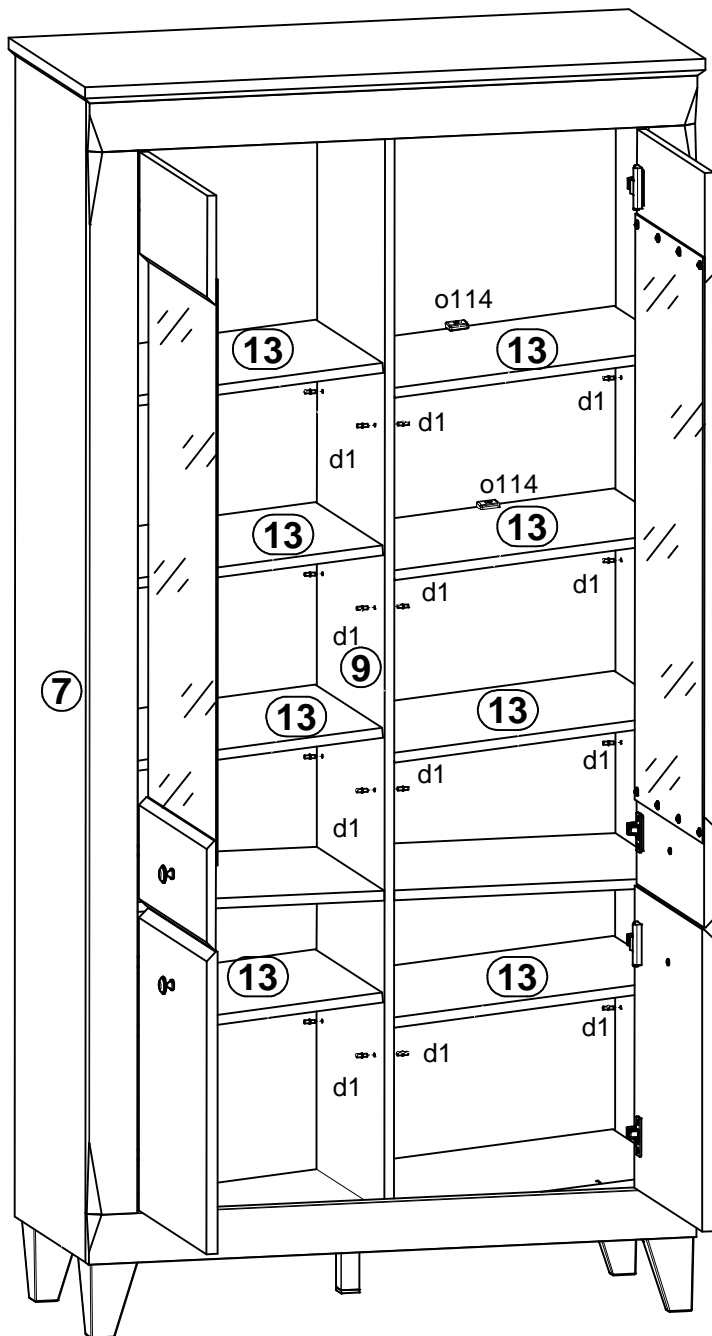
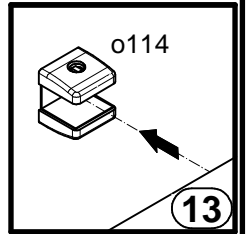
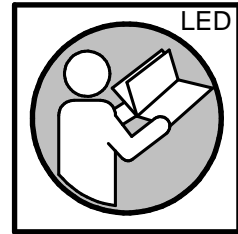
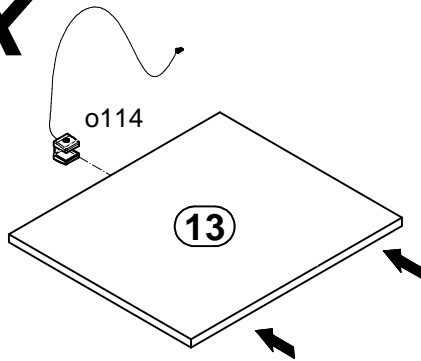


**II**



# 8

## 4x



# 9

