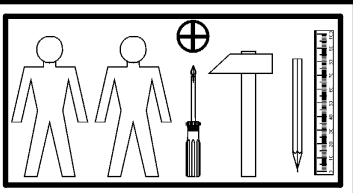
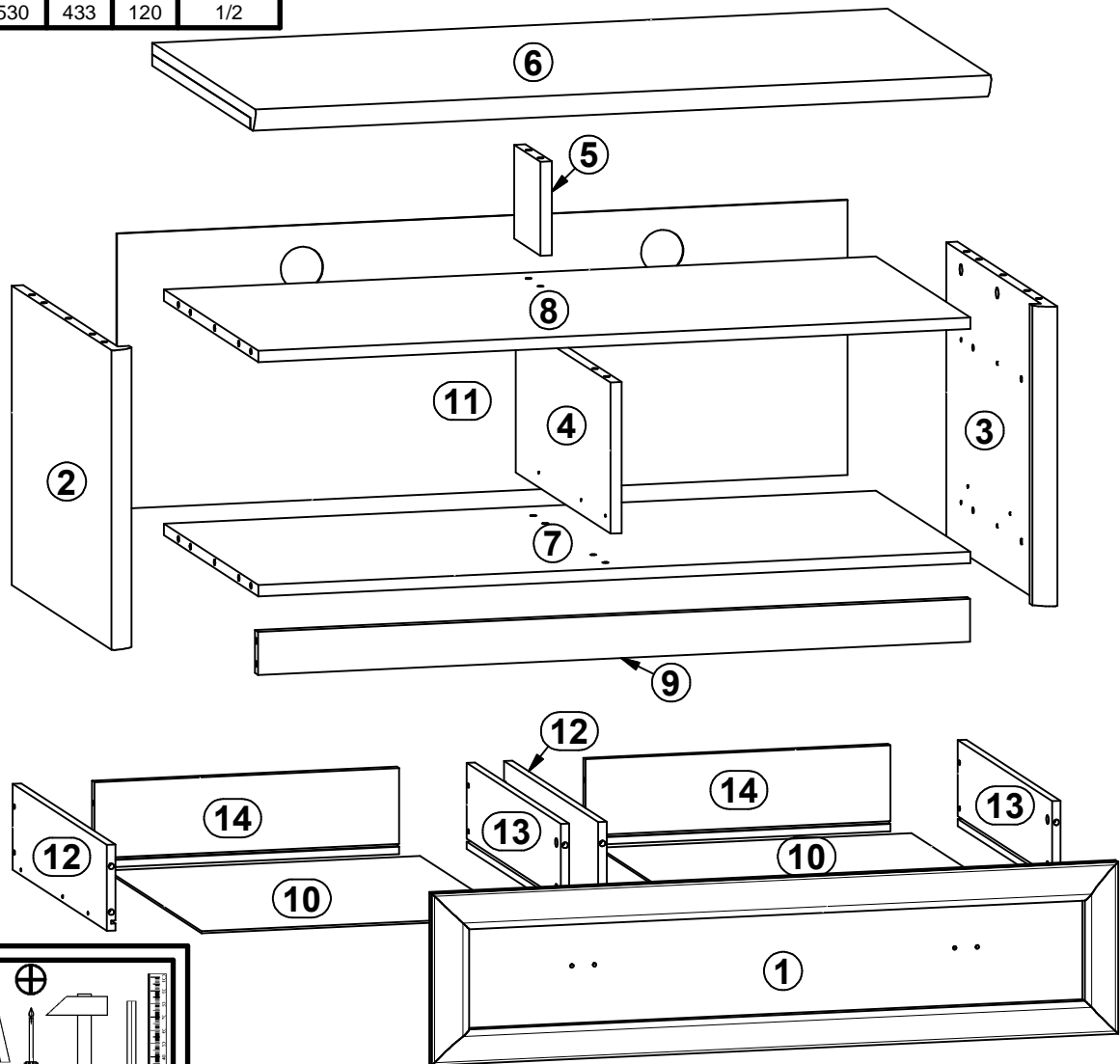
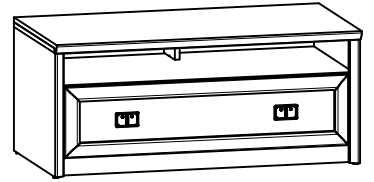


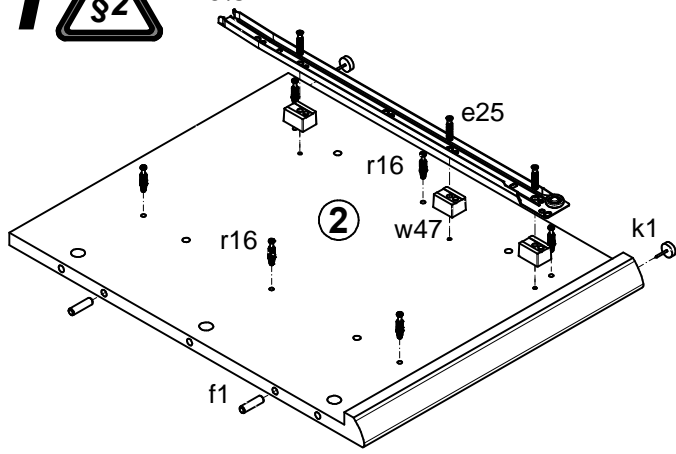
A	B	C	D
1	S130-025	975	240
2	S130-128	418	532
3	S130-129	418	532
4	S130-130	211	502
5	S130-140	131	140
6	S130-209	1045	550
7	S130-316	1012	502
8	S130-318	1012	502
9	S130-407	1012	60
10	S130-921	444	498
11	S130-926	384	1038
12	ZS2-509	500	120
13	ZS2-510	500	120
14	ZS2-5530	433	120



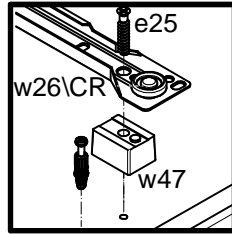
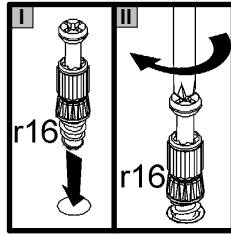
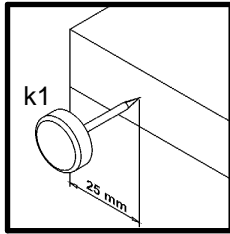
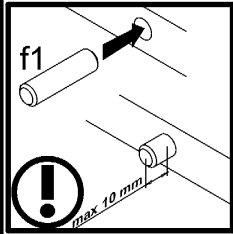
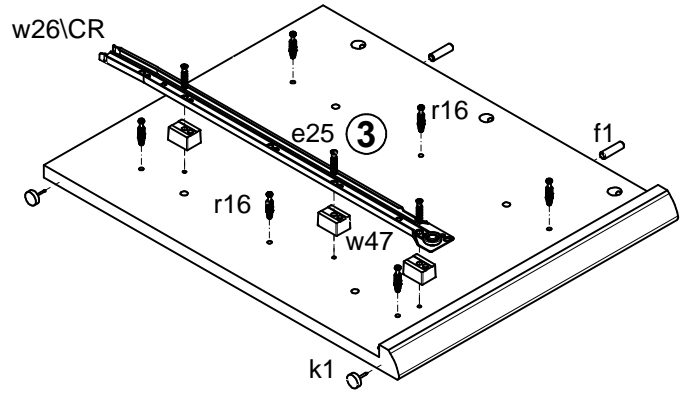
2x c23912	2x φ7x50 mm e1	12x φ5x9 mm e19	6x φ6x28 mm e25	3x φ6x13 mm e3	24x φ8x30 mm f1	8x φ6.5x40 mm f25	4x M4x16 mm j83	4x k1	
40x l1	3x φ3x12 mm p54	20x φ15x12mm #16 r1	8x φ12x10.5mm #12 r15	28x r16	2x 500 mm w261CL	2x 500 mm w261CR	2x 500 mm w261DL	2x 500 mm w261DR	
6x h=16 mm w47	6x ø16 s2	1x z1							

1 

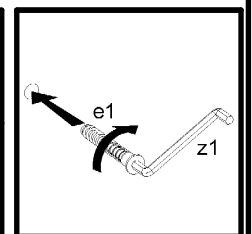
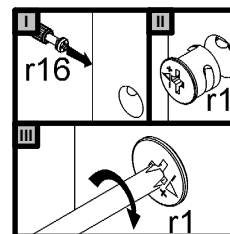
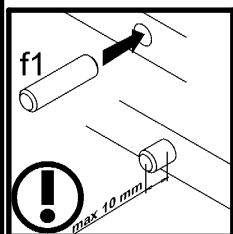
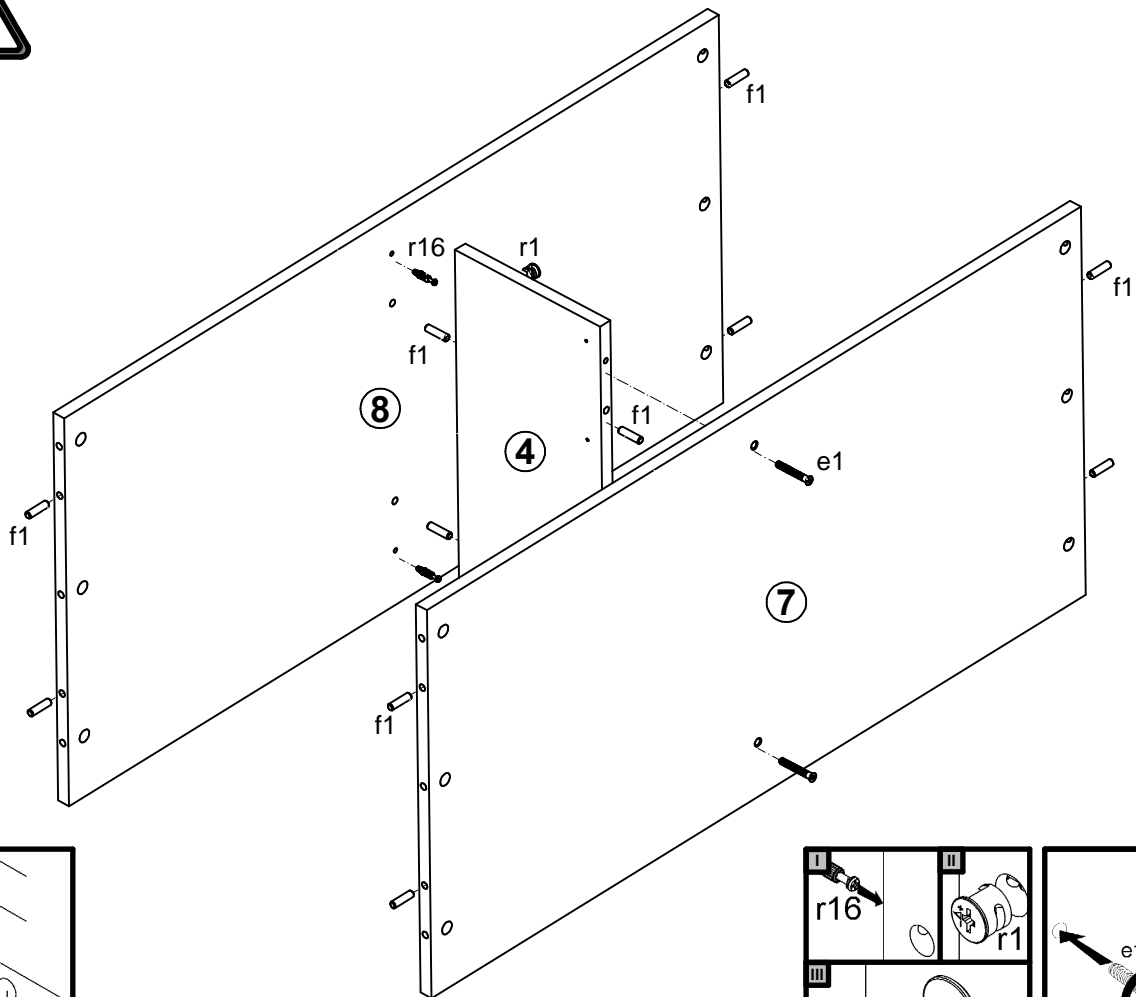
w26\CL



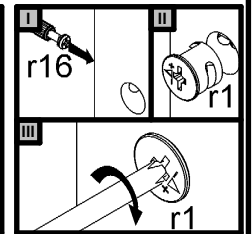
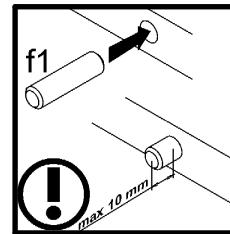
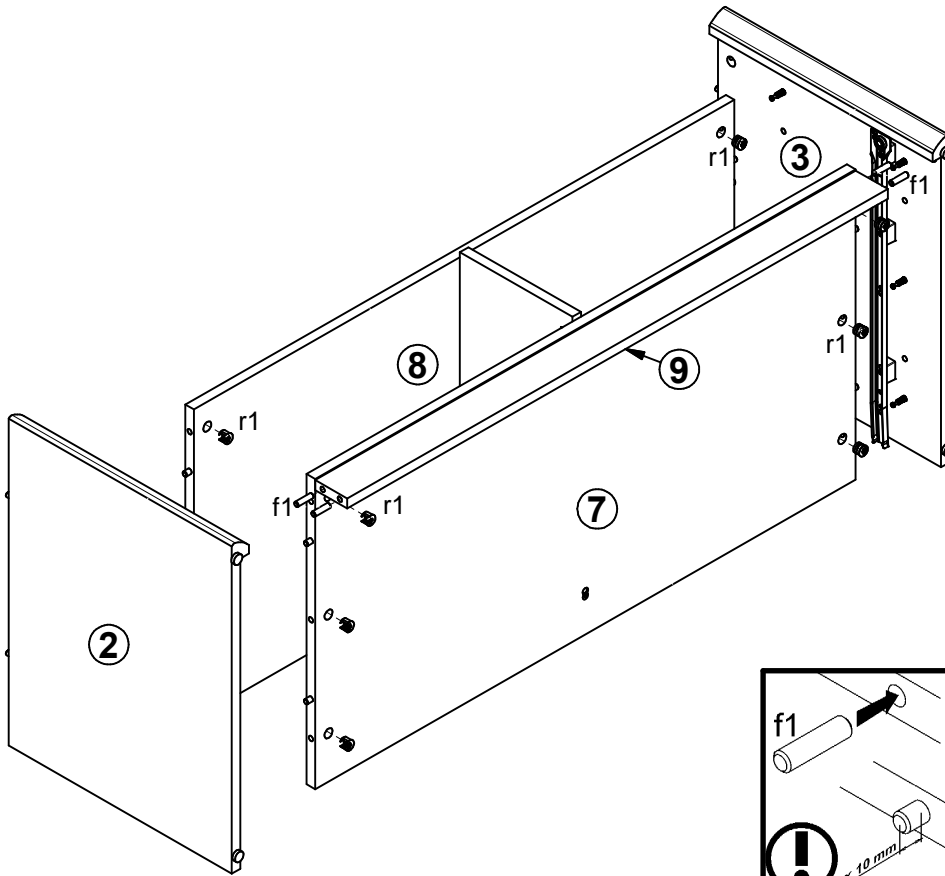
w26\CR



2 



3



4

