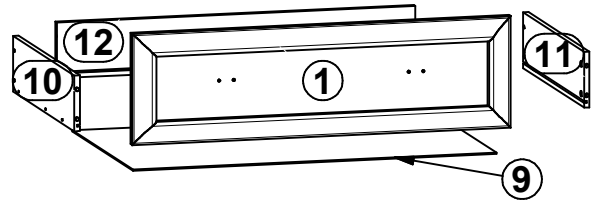
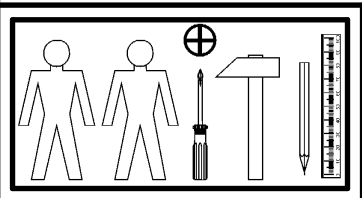
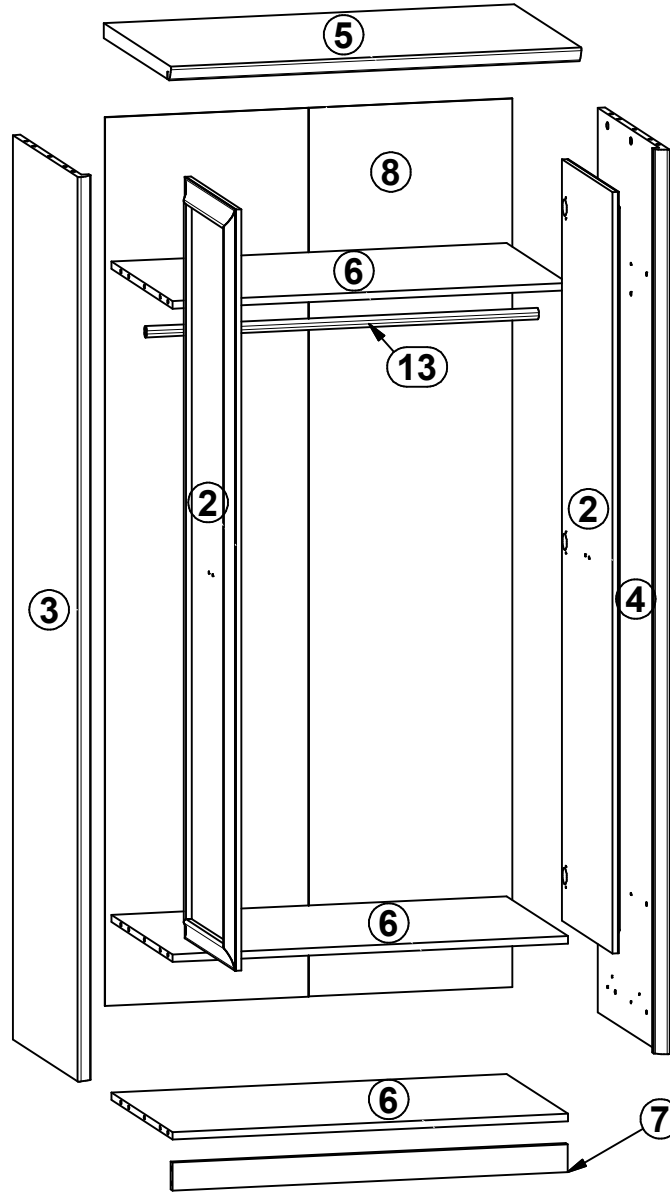
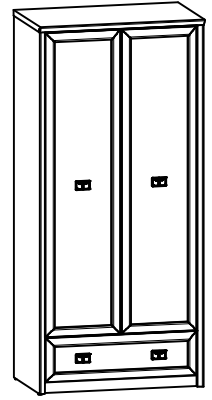


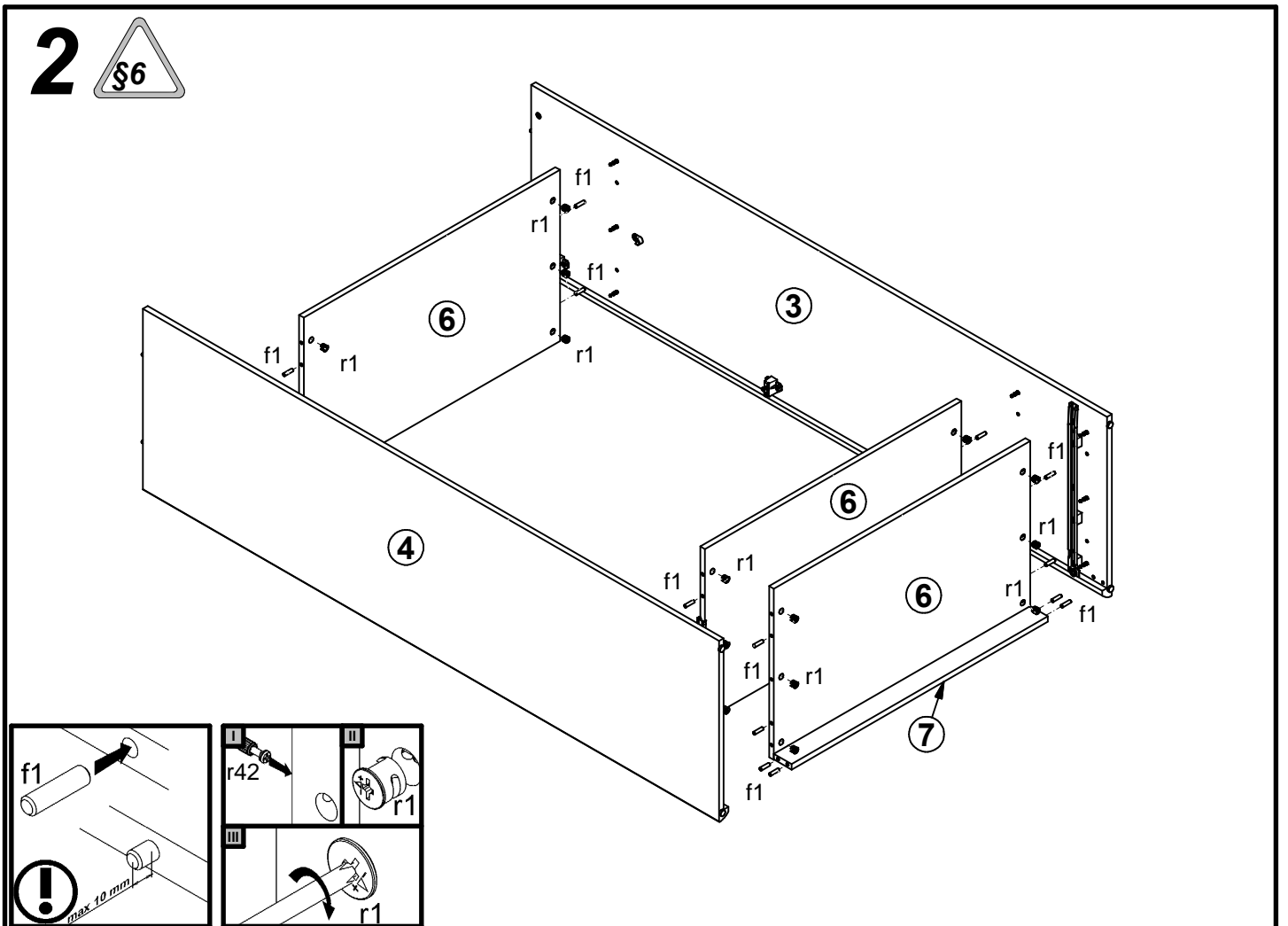
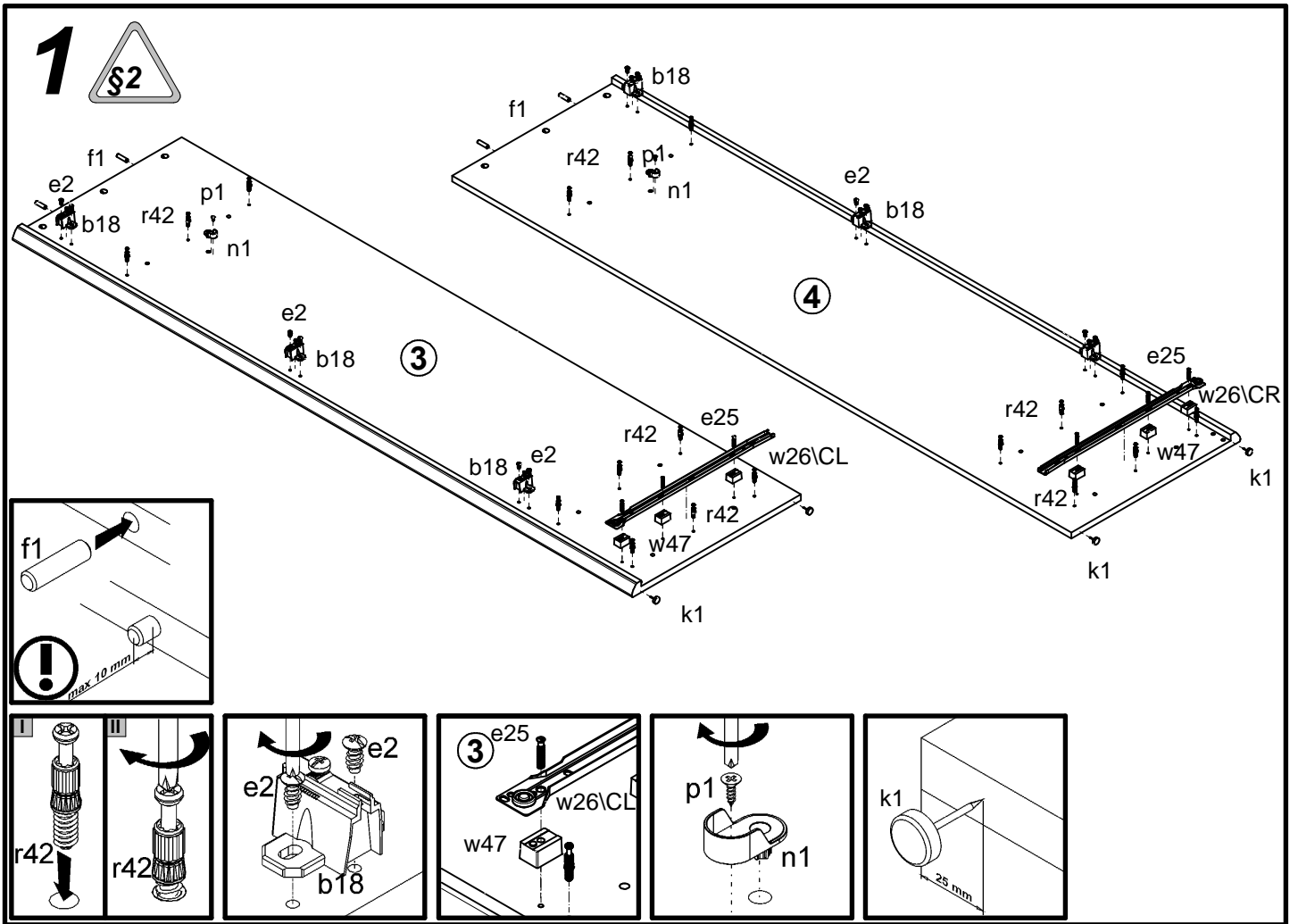
# BOLDEN

# S130-SZF2D1S

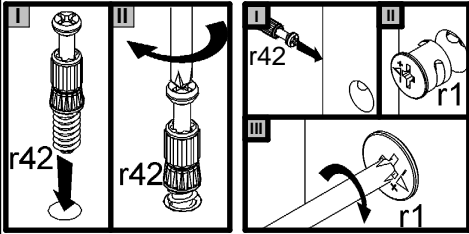
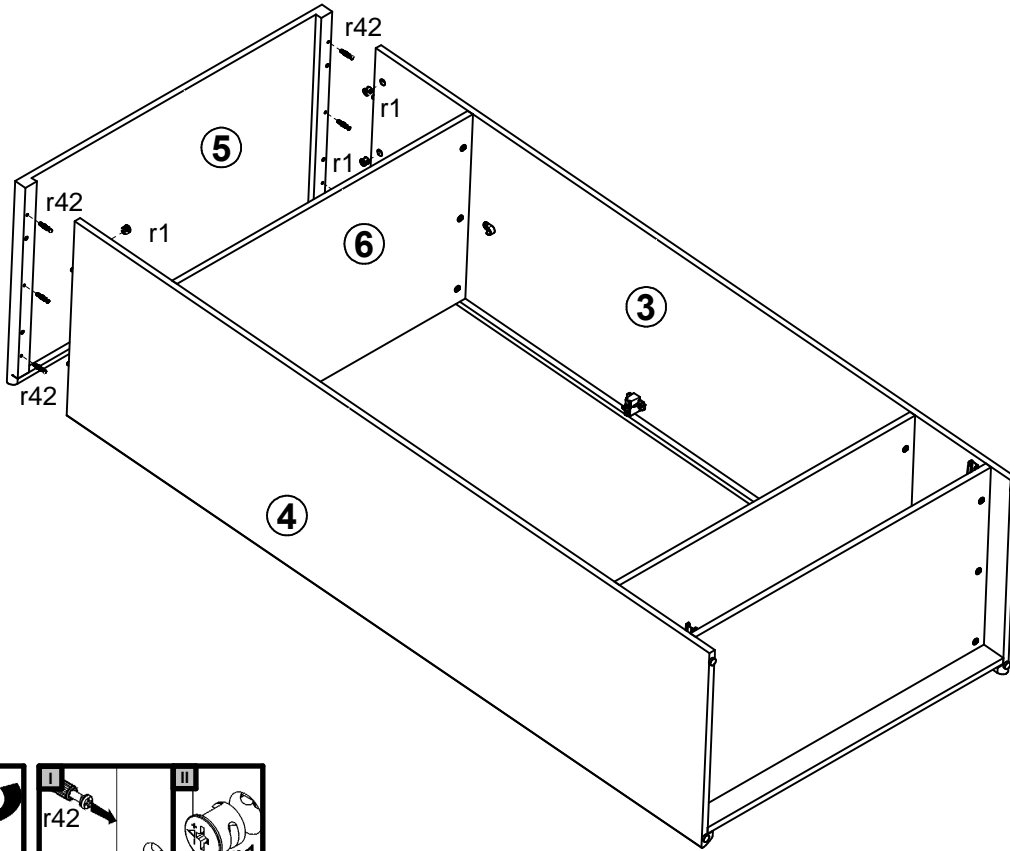
A	B	C	D
1	S130-001	830	240
2	S130-002	1640	413
3	S130-103	1948	532
4	S130-104	1948	532
5	S130-202	900	550
6	S130-303	867	502
7	S130-401	867	60
8	S130-901	1914	893
9	S130-903	797	498
10	ZS2-509	500	120
11	ZS2-510	500	120
12	ZS2-5527	786	120
13	dr-860	860	22



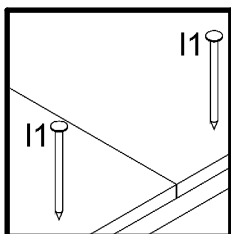
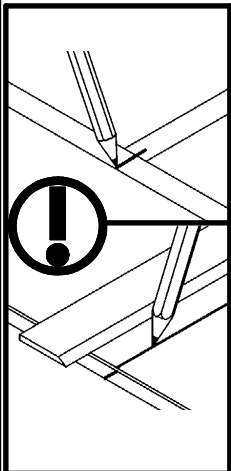
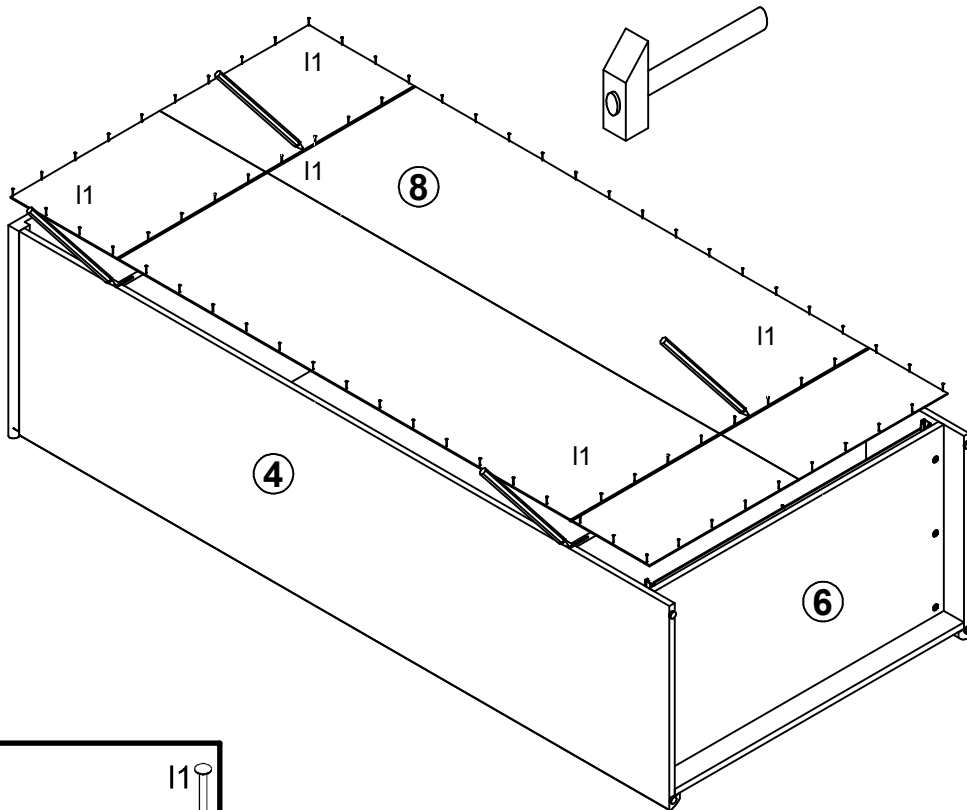
6x a43	6x b18	4x c239\2	6x e19 φ5x9 mm	12x e2 φ6,3x13 mm	6x e25 φ6x28 mm	20x f1 φ8x30 mm	4x f25 φ6,5x40 mm	8x j83 M4x16 mm
4x k1	70x l1	2x n1	2x p1 φ3,5x13 mm	2x p25 φ3,5x16 mm	12x p51 φ3,5x15 mm	24x r1 φ1,5x12mm #16	4x r15 φ12x10,5mm #12	28x r42
1x t17 483 mm	1x w26\CL 500 mm	1x w26\CR 500 mm	1x w26\DL 500 mm	1x w26\DR 500 mm	6x w47 h=16 mm	1x n26\1	1x p38 φ3,5x16 mm	12x s2 φ16



# 3

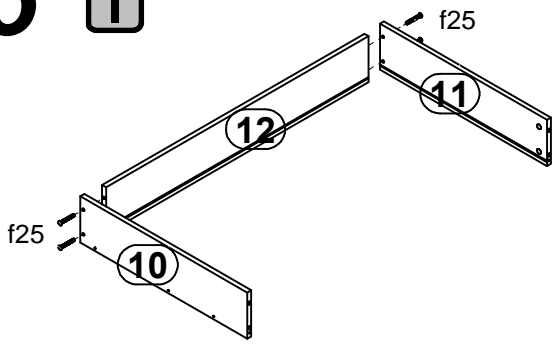


# 4

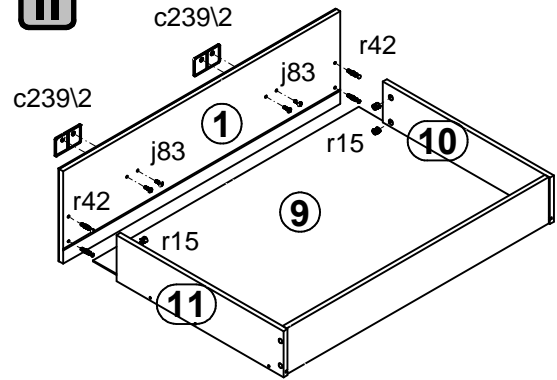


# 5

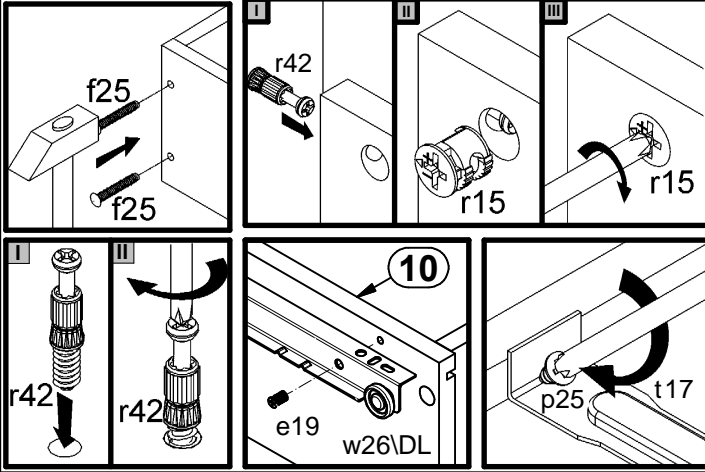
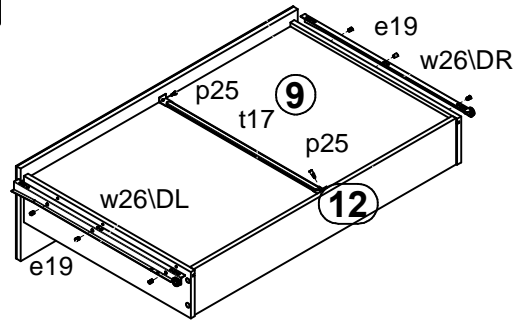
## I



## II



## III



# 6

