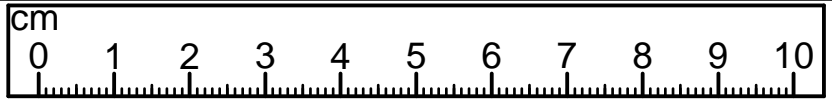
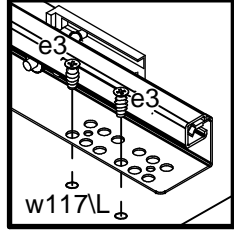
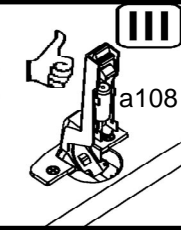
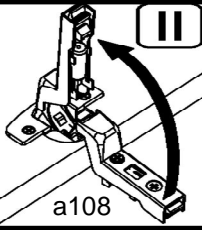
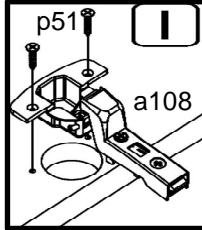
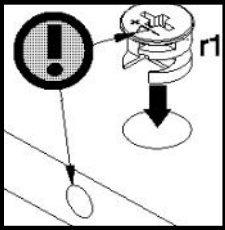
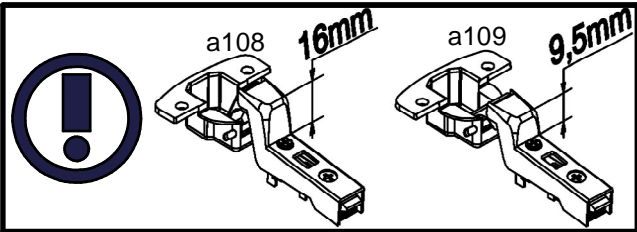
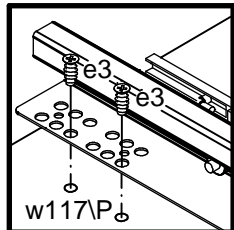
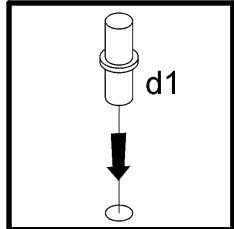
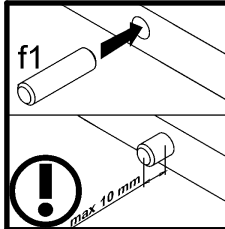
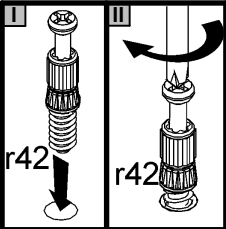
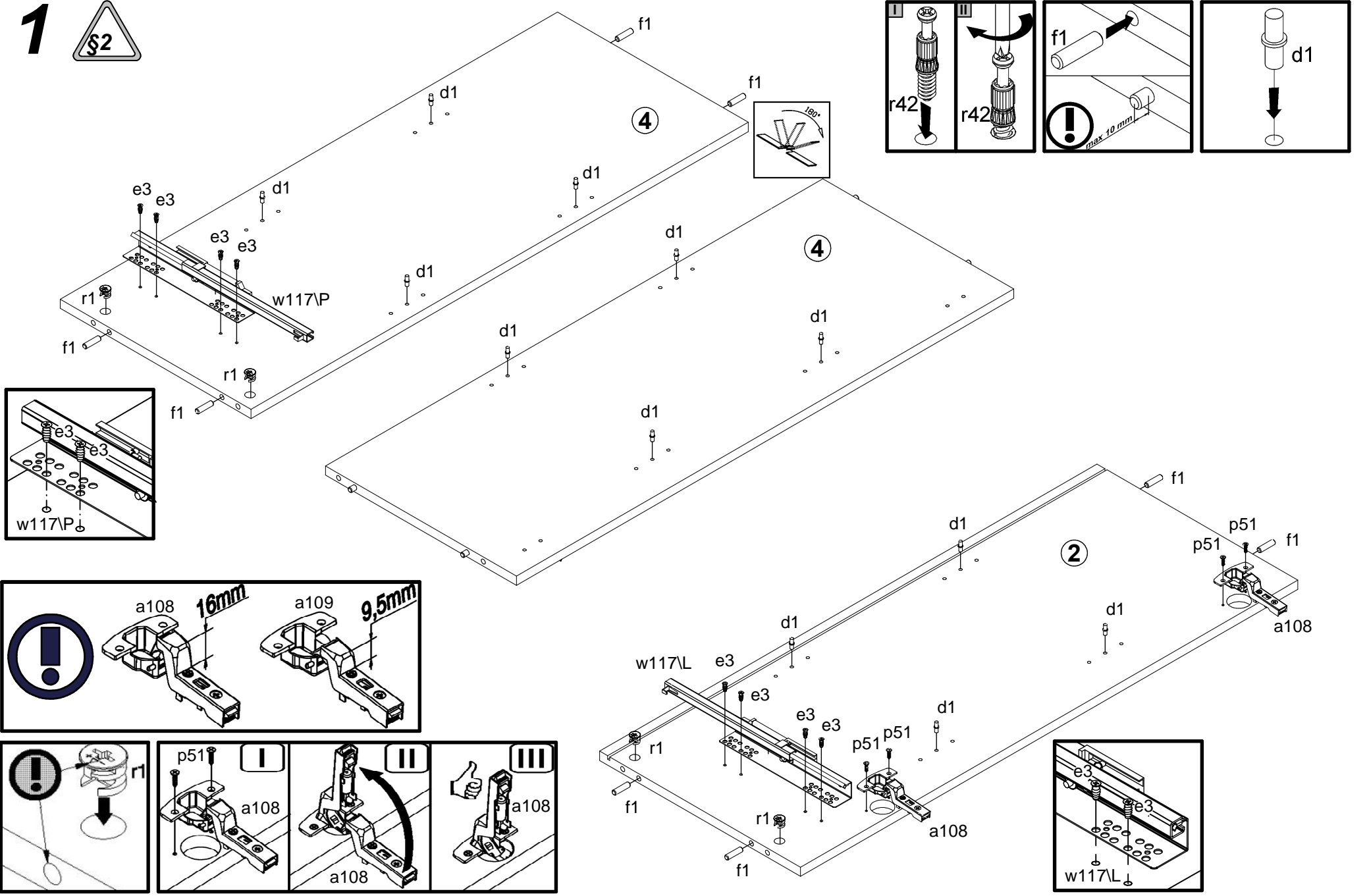


A	B	C (mm)	D	
1	S220-0011	110	453	1/3
2	S220-1023	990	400	1/3
3	S220-1024	990	400	1/3
4	S220-1025	990	380	1/3
5	S220-1026	990	380	1/3
6	S220-2017	1471	400	2/3
7	S220-2018	1471	400	2/3
8	S220-3009	458	370	2/3
9	S220-3010	487	370	2/3
10	S220-5502	400	179	2/3
11	S220-5507	501	179	1/3
12	S220-7004	100	336	3/3
13	S220-7027	1042	496	3/3
14	S220-7028	1042	496	3/3
15	S220-7029	583	502	3/3
16	S220-7030	502	319	3/3
17	S220-7031	100	502	3/3
18	S220-9007	1000	472	3/3
19	S220-9008	1000	504	3/3
20	WSP-9021	429	358	2/3
21	WSQ2-505	350	100	1/3
22	WSQ2-506	350	100	1/3
23	WTQ-5100	419	87	1/3

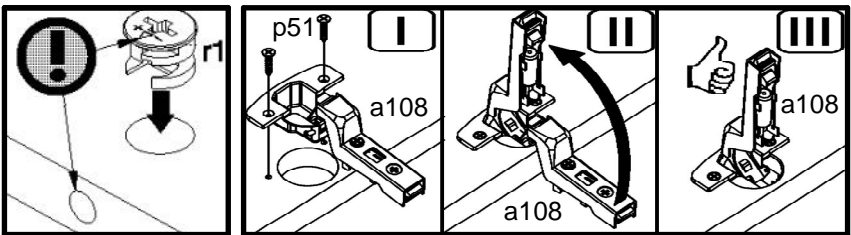
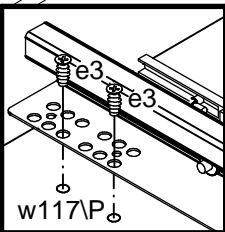
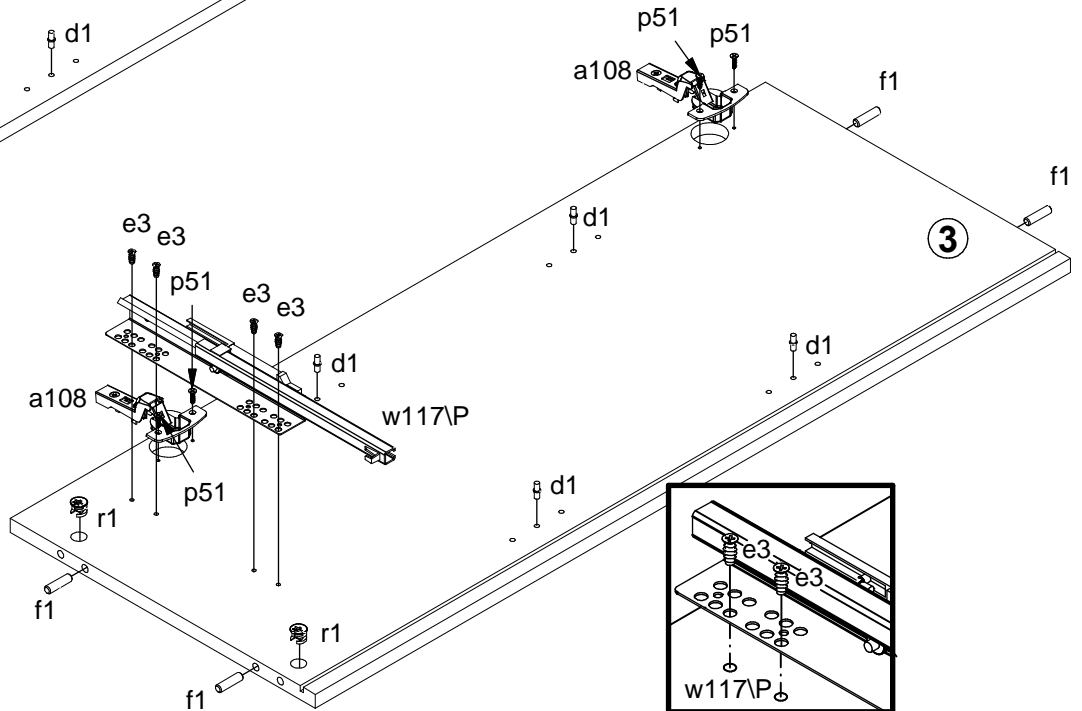
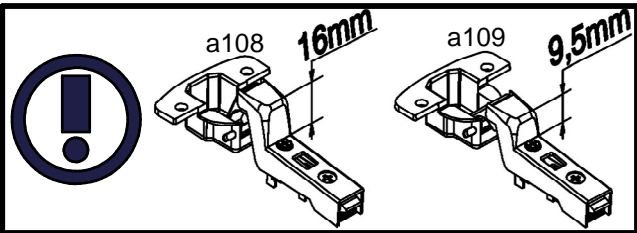
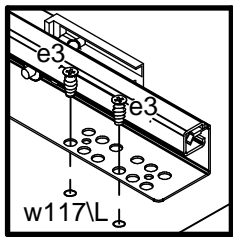
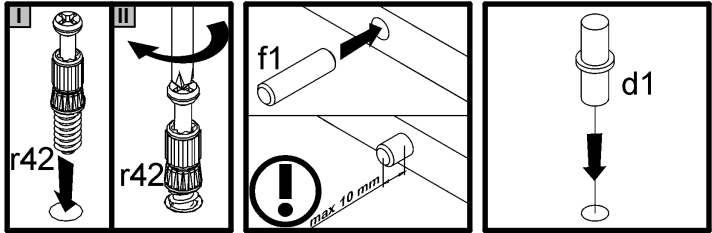
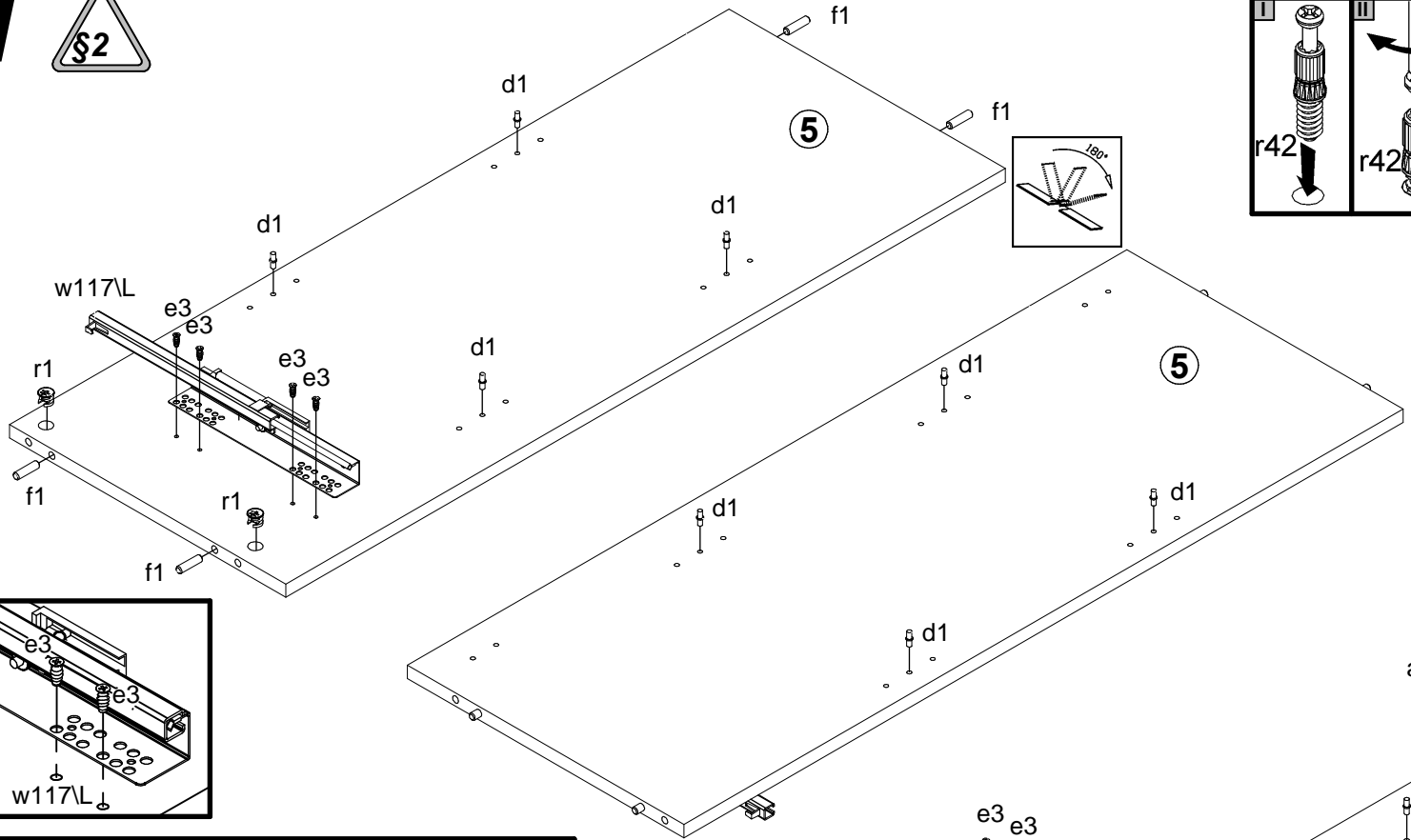


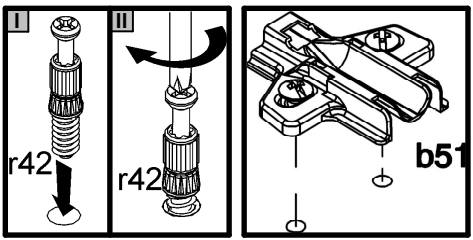
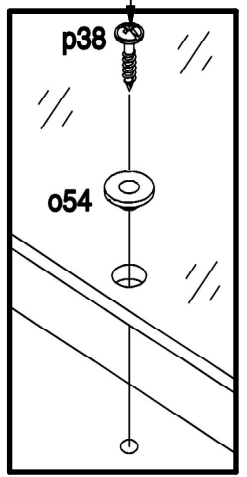
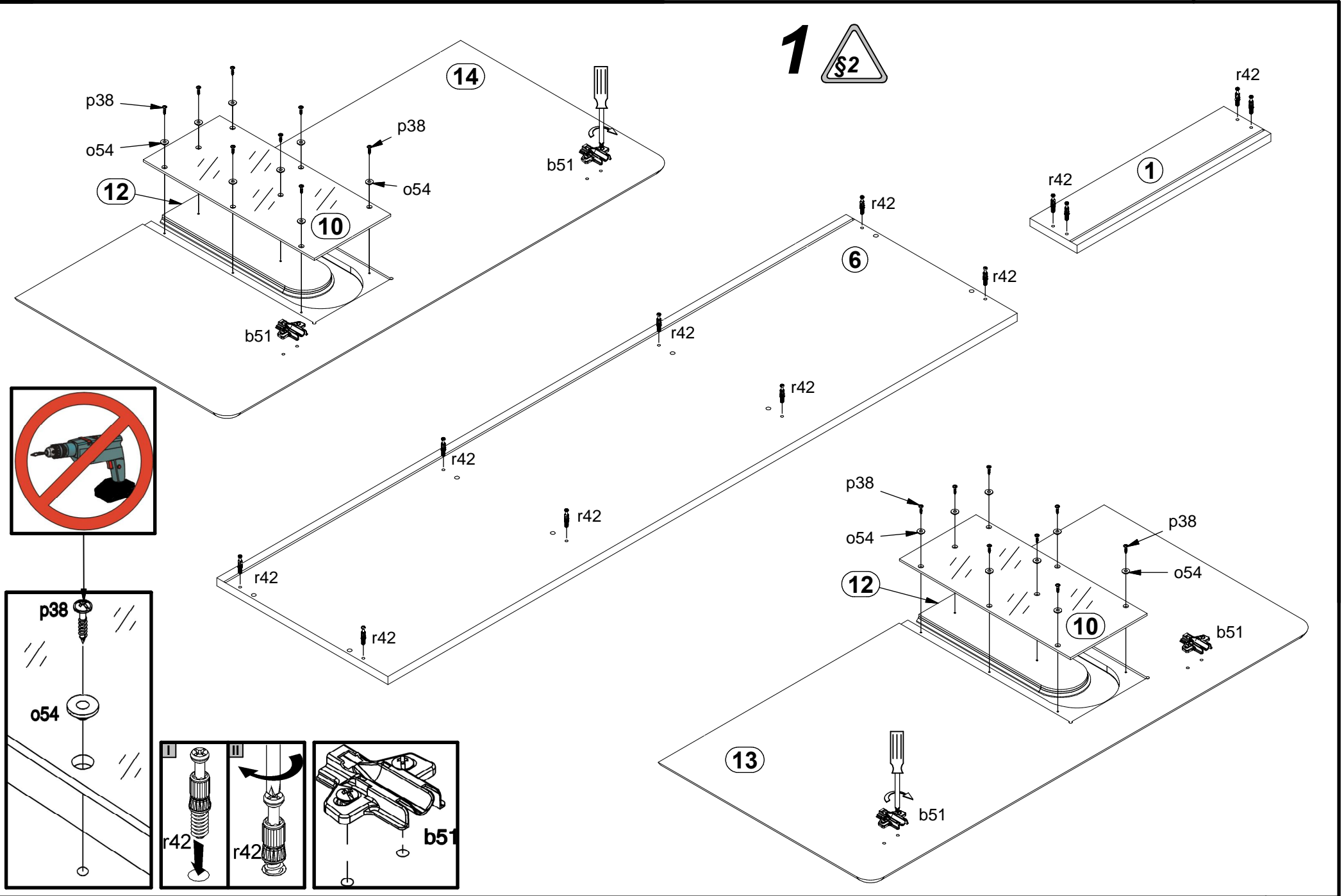
4x a108	2x a109	6x b51	24x d1	8x e1	16x e3	16x f1	8x f25	2x k53	4x k77	20x l2	14x n108	25x o54
2x p25	2x p35	10x p36	33x p38	12x p51	18x p55	8x r1	8x r15	16x r42	2x s71	4x s2	2x t35	2x W117L
2x W117P	1x z1										1x n261l	1x p38

1



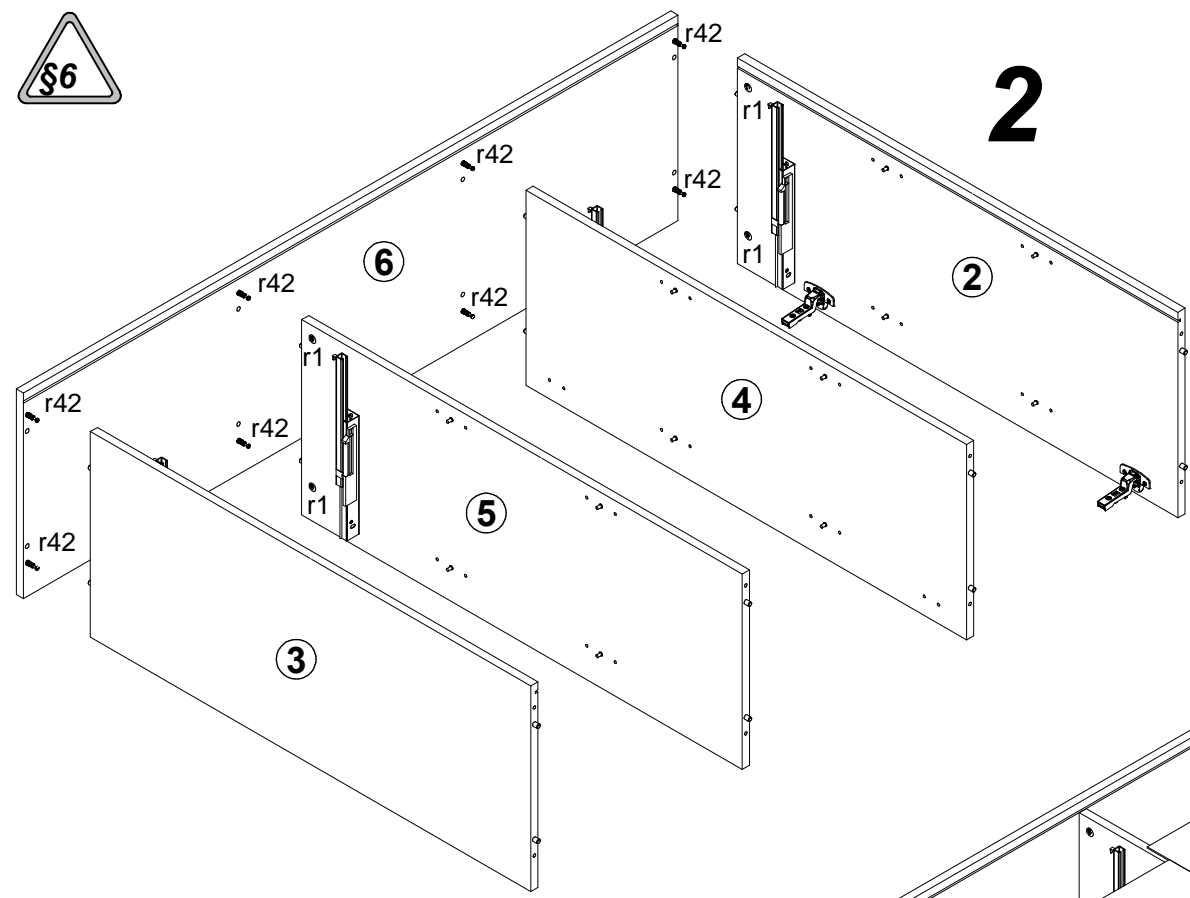
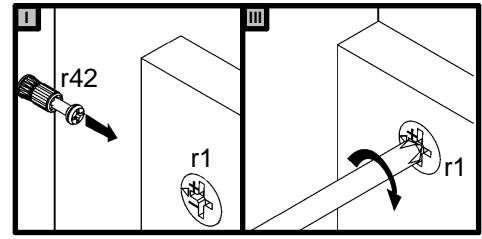
1



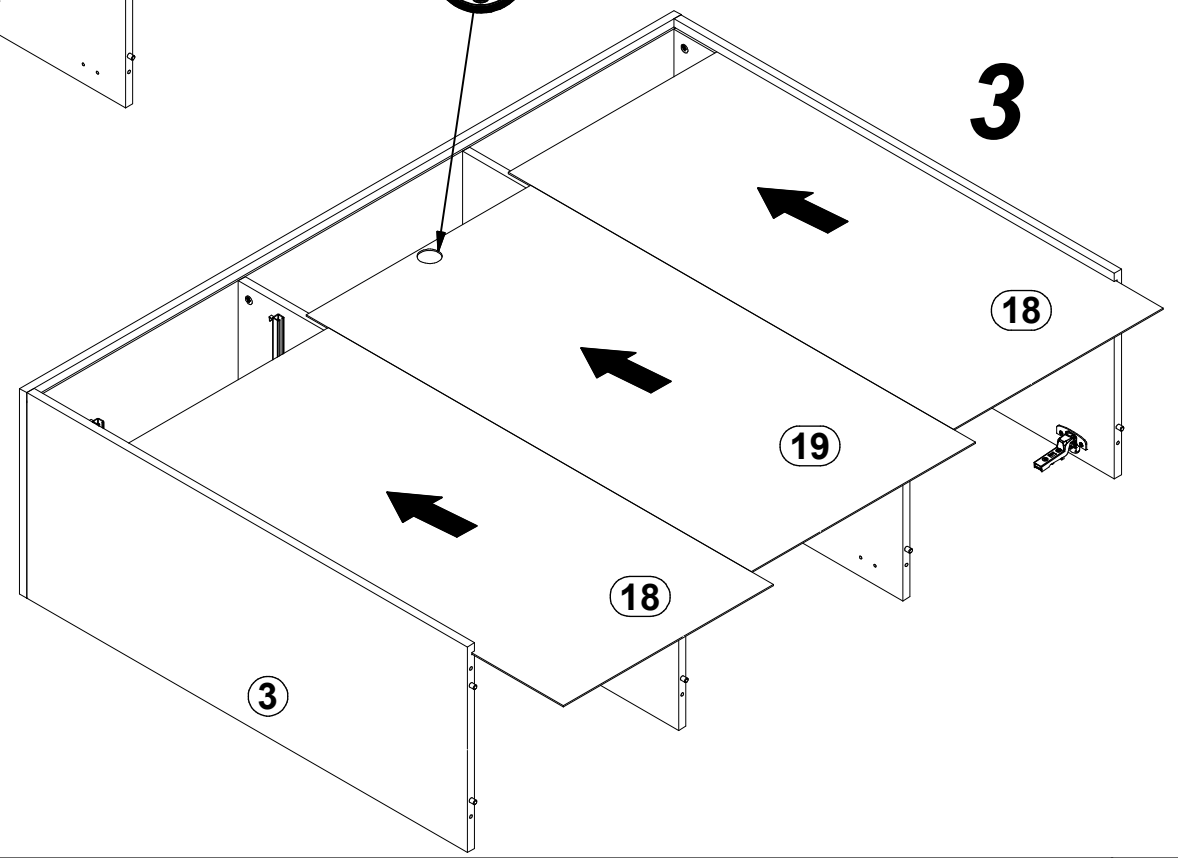


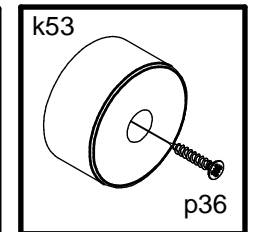
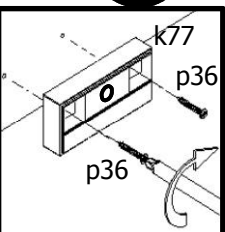
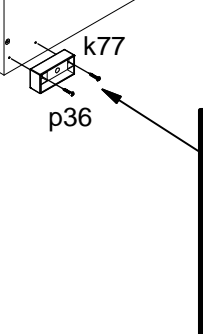
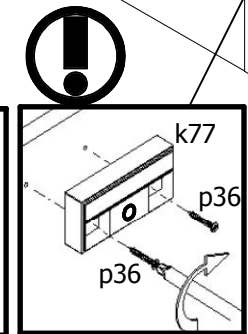
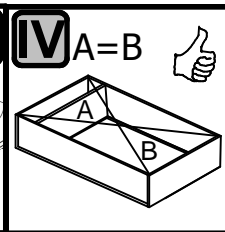
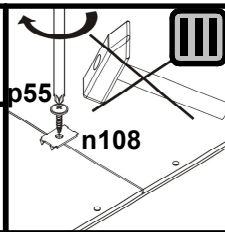
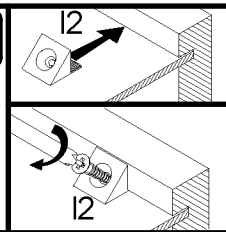
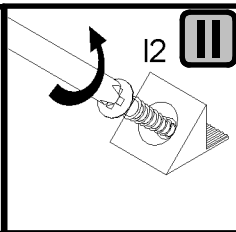
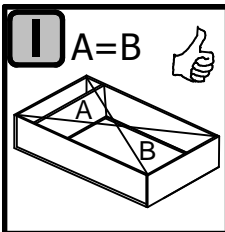
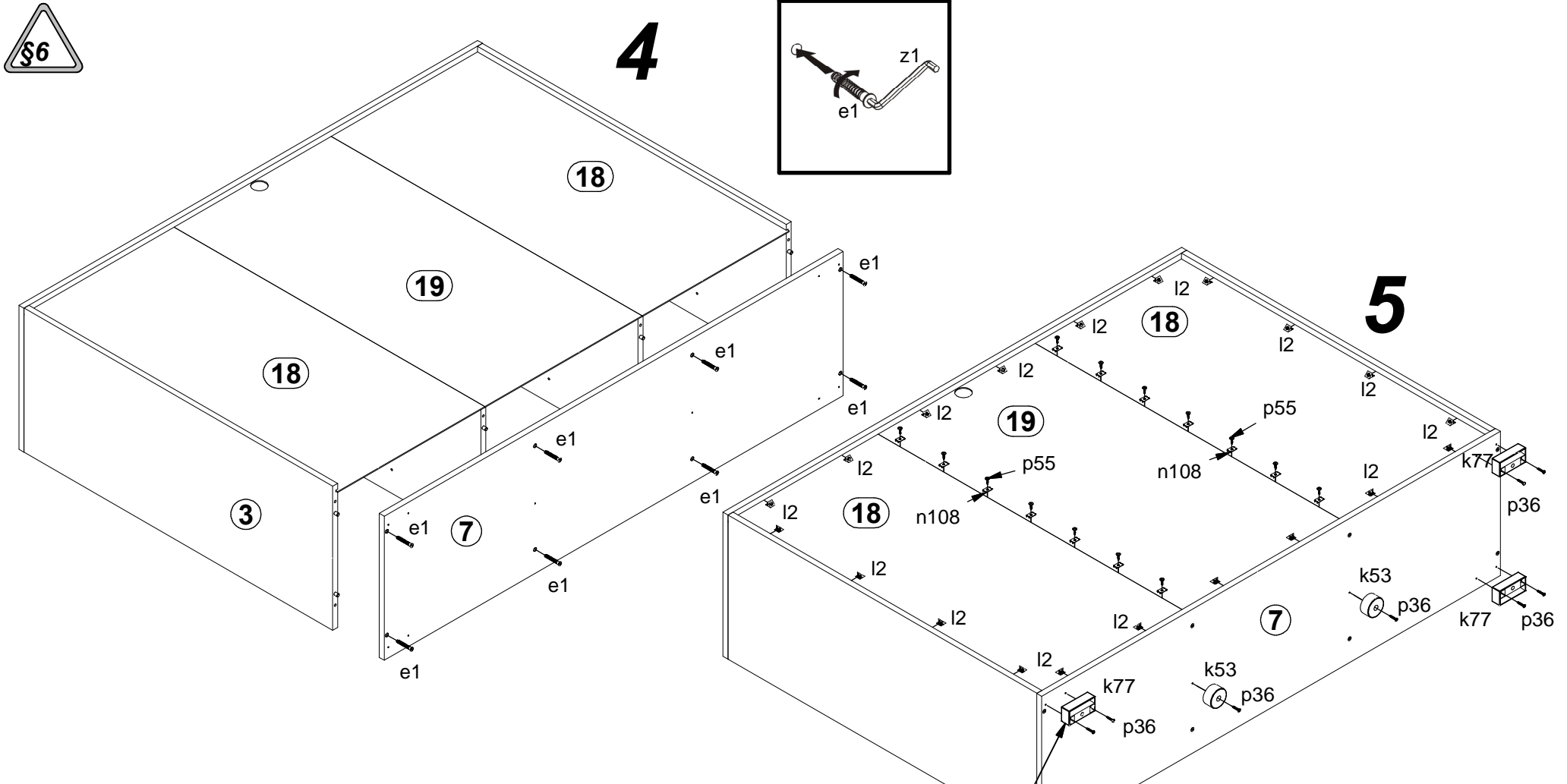


2

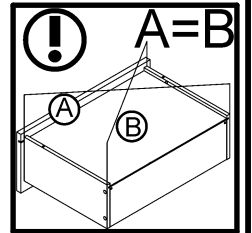
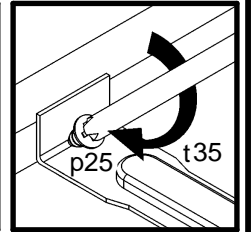
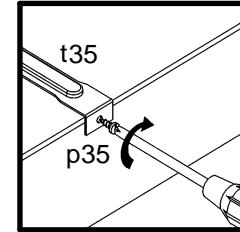
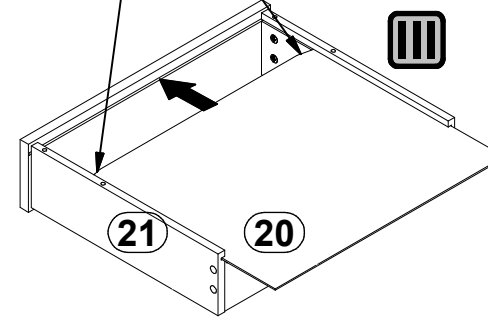
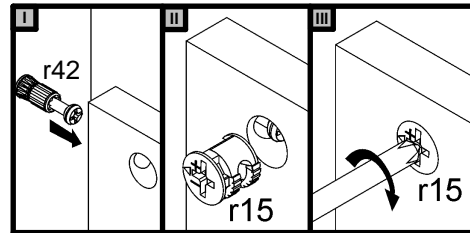
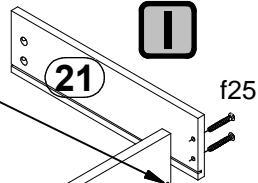
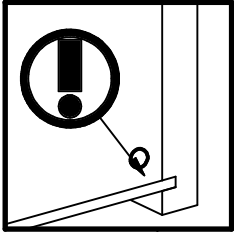
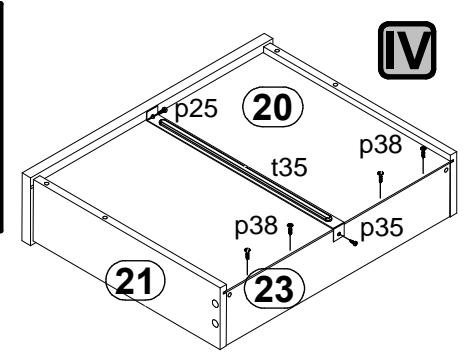
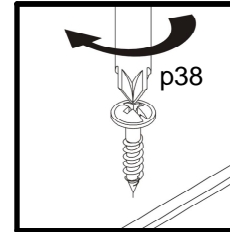
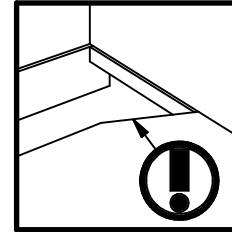
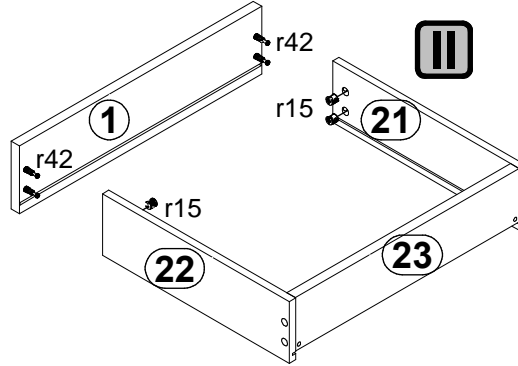
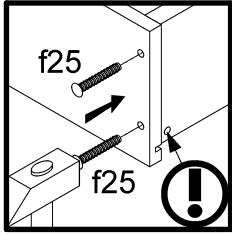


3

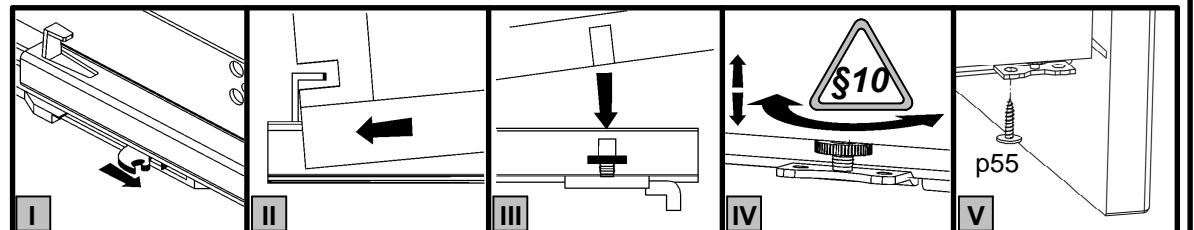
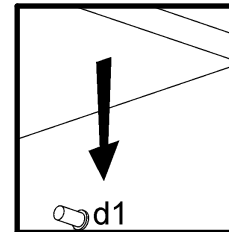
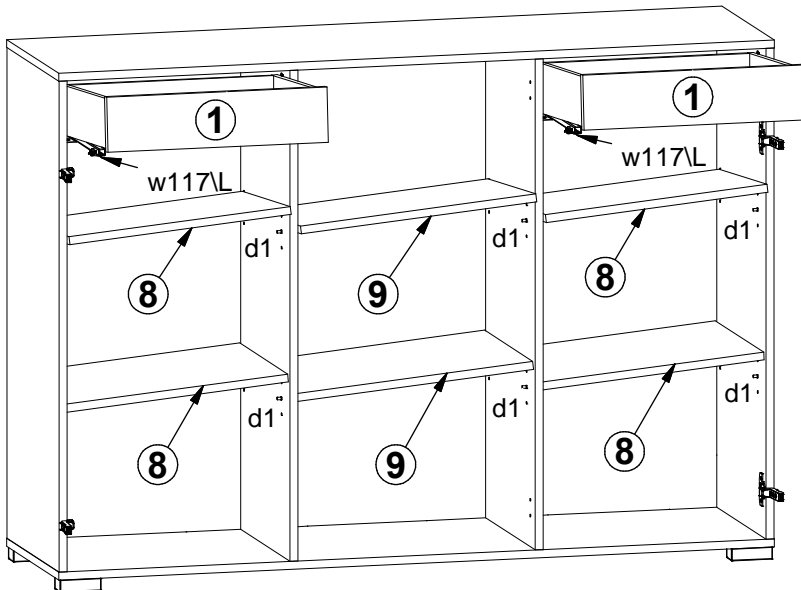




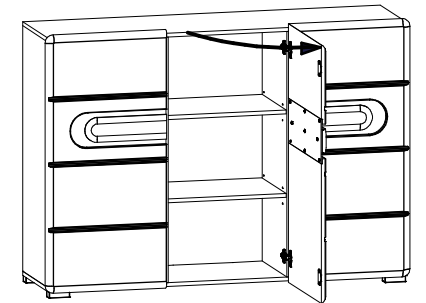
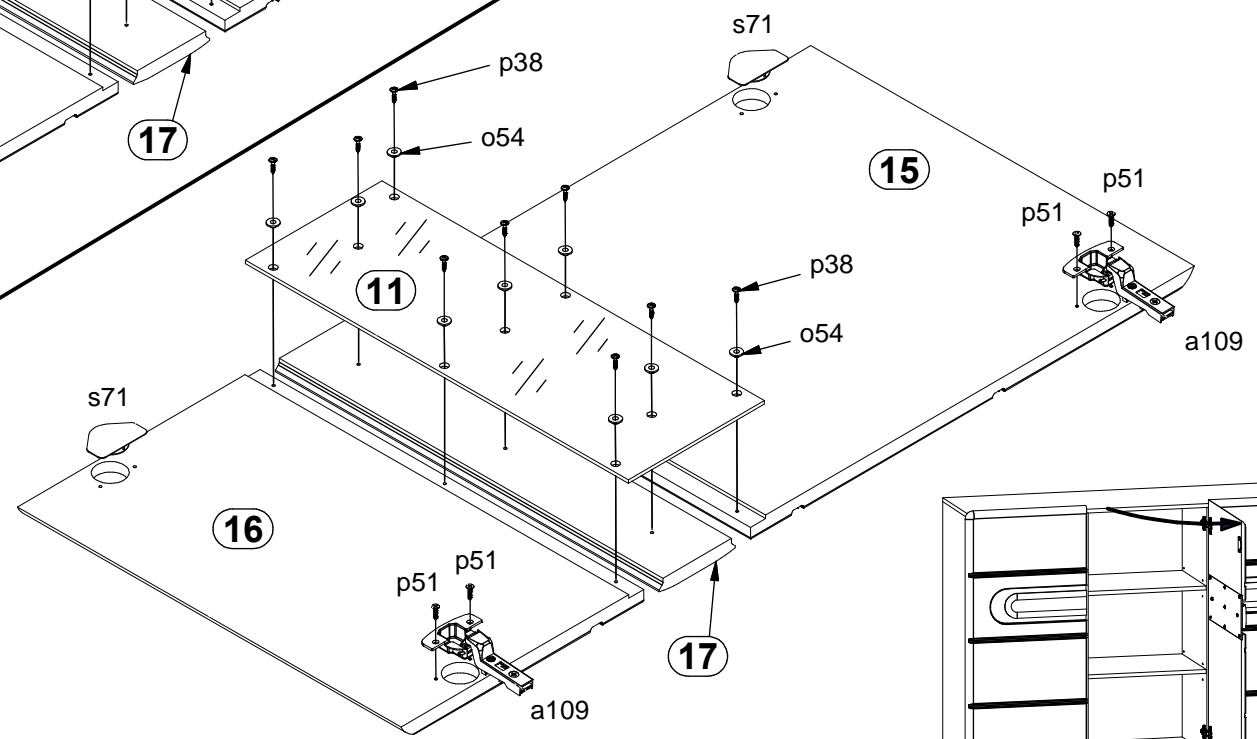
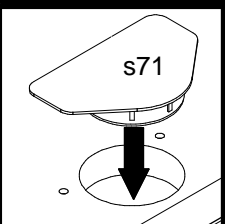
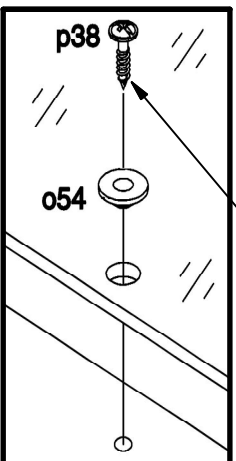
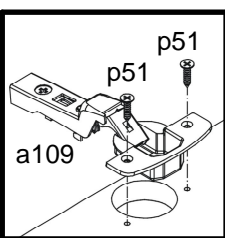
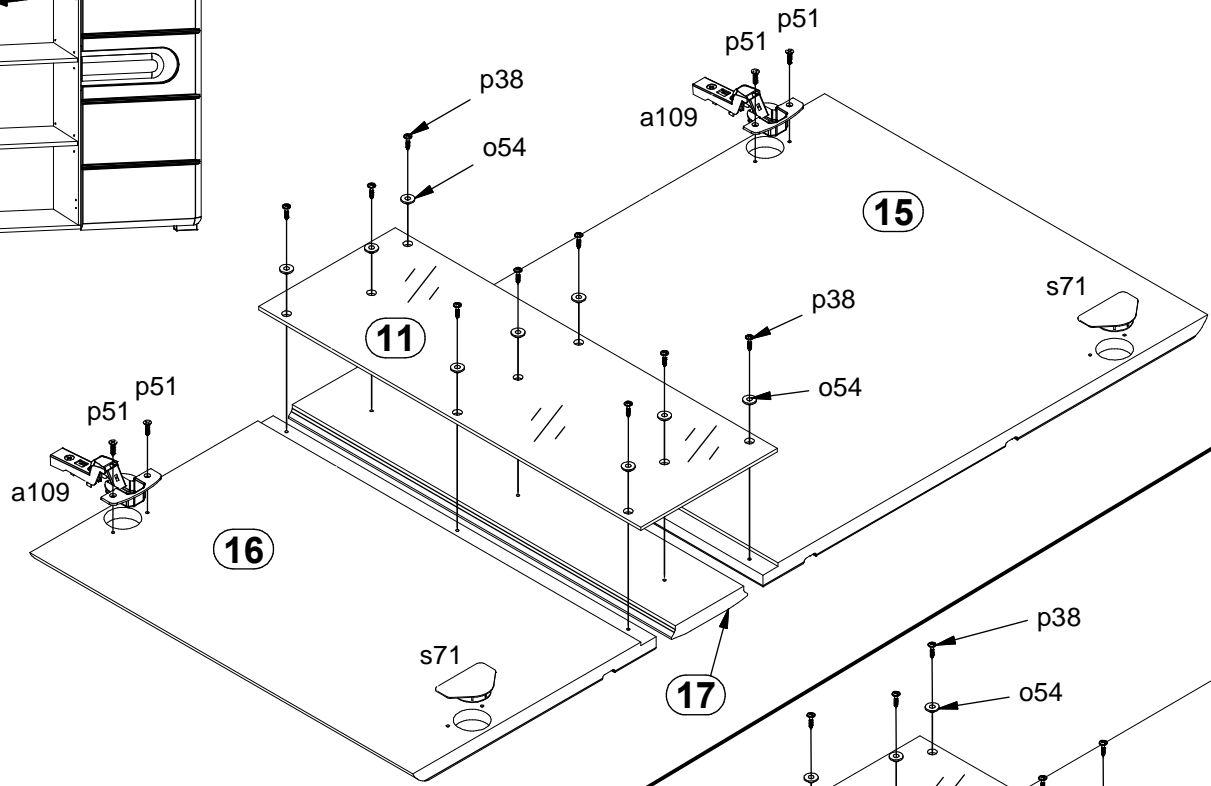
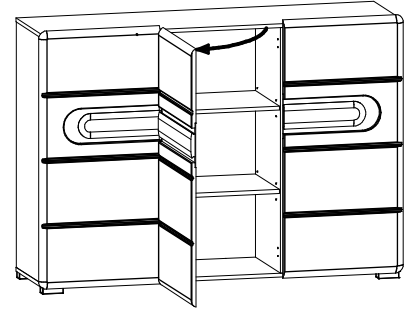
6

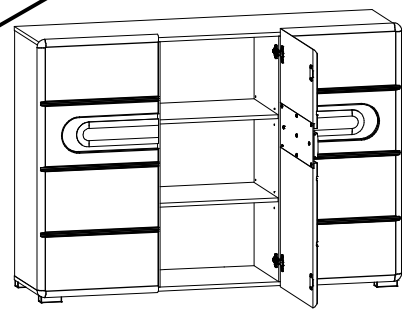
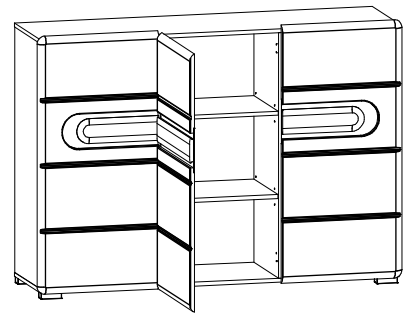
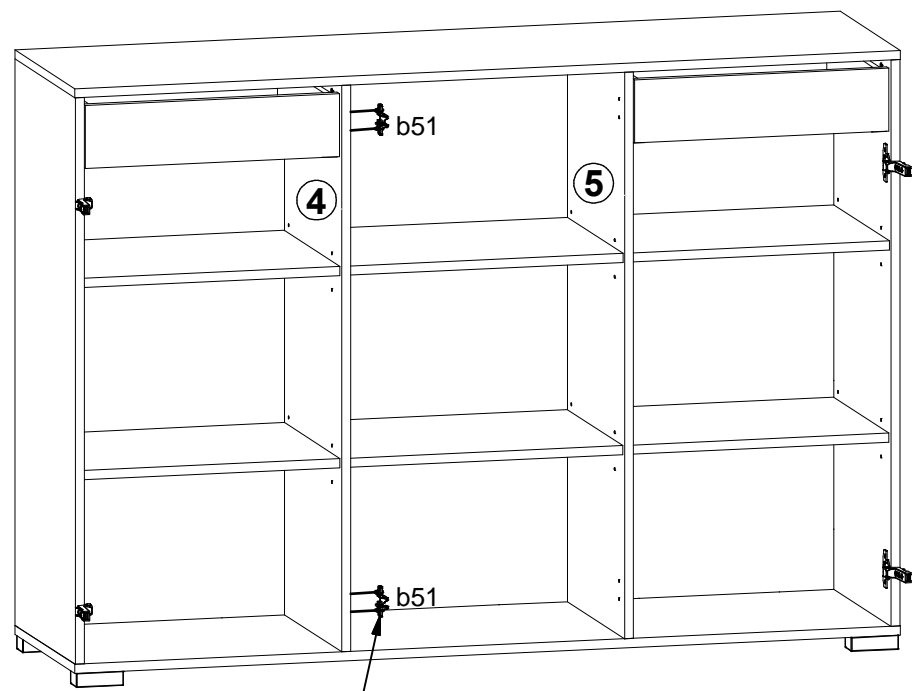


7

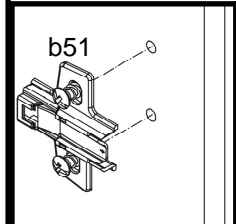
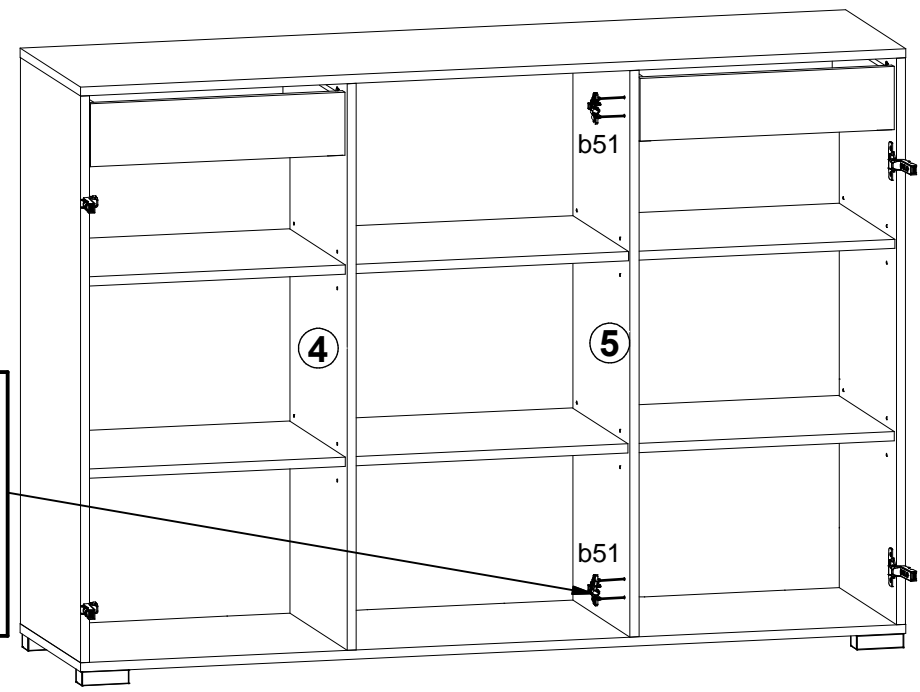
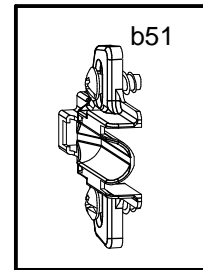
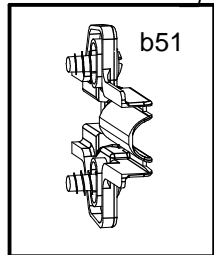


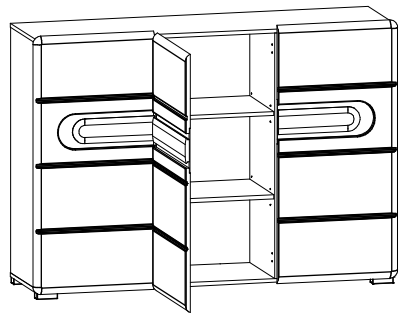
8





9

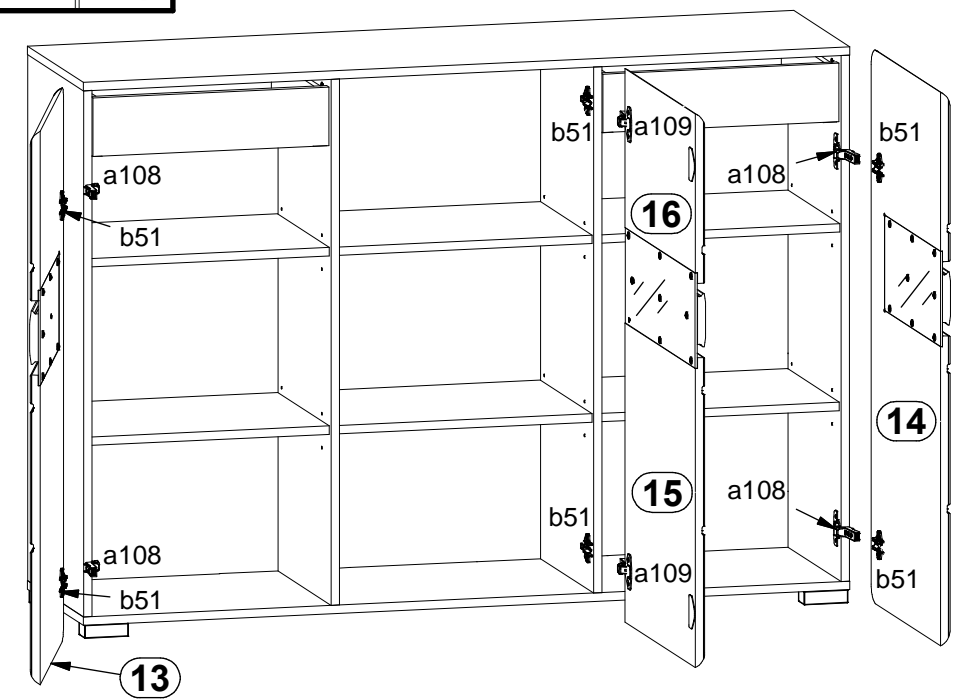
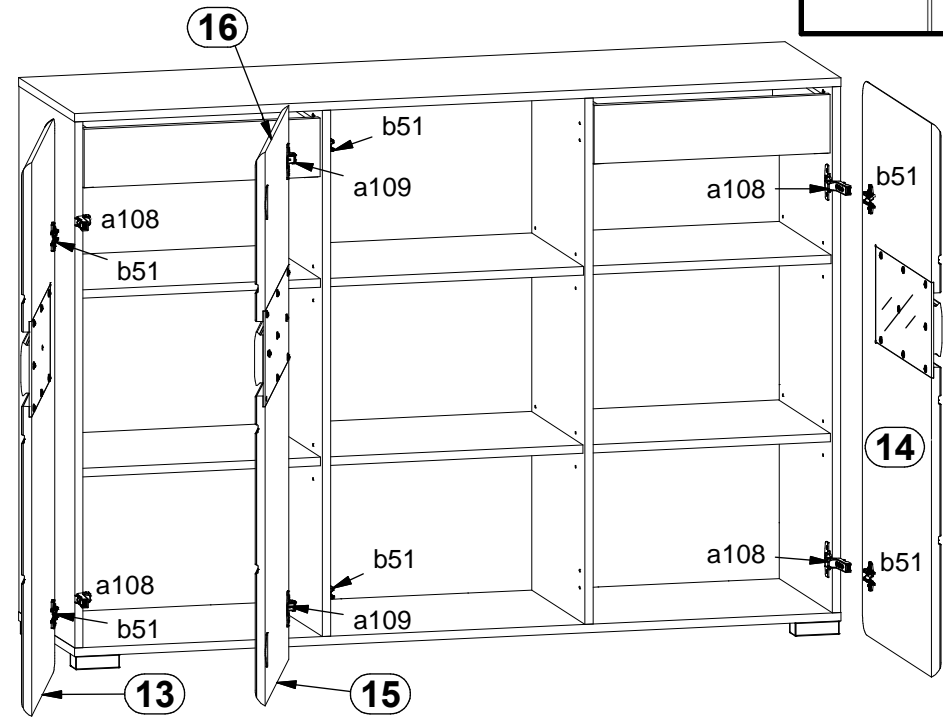
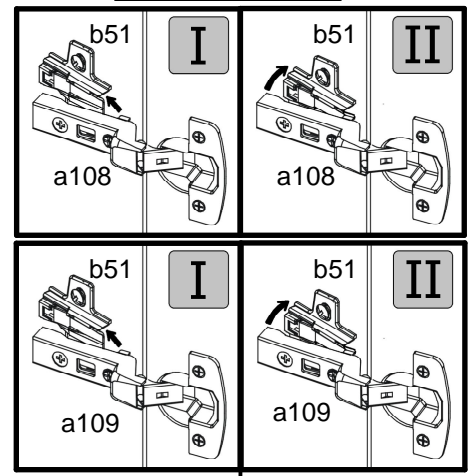
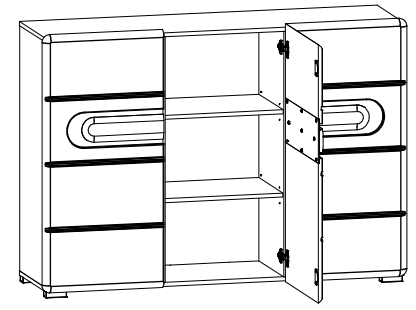




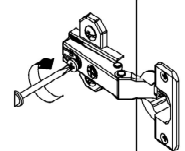
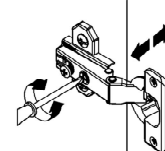
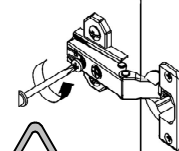
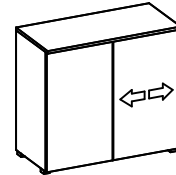
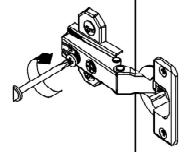
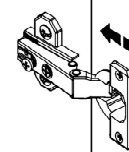
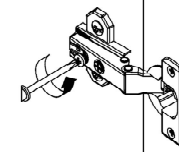
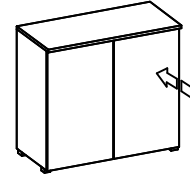
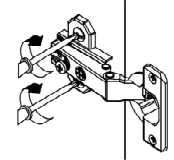
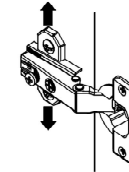
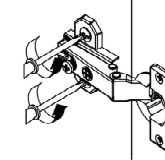
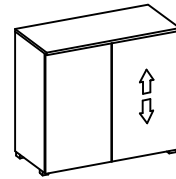
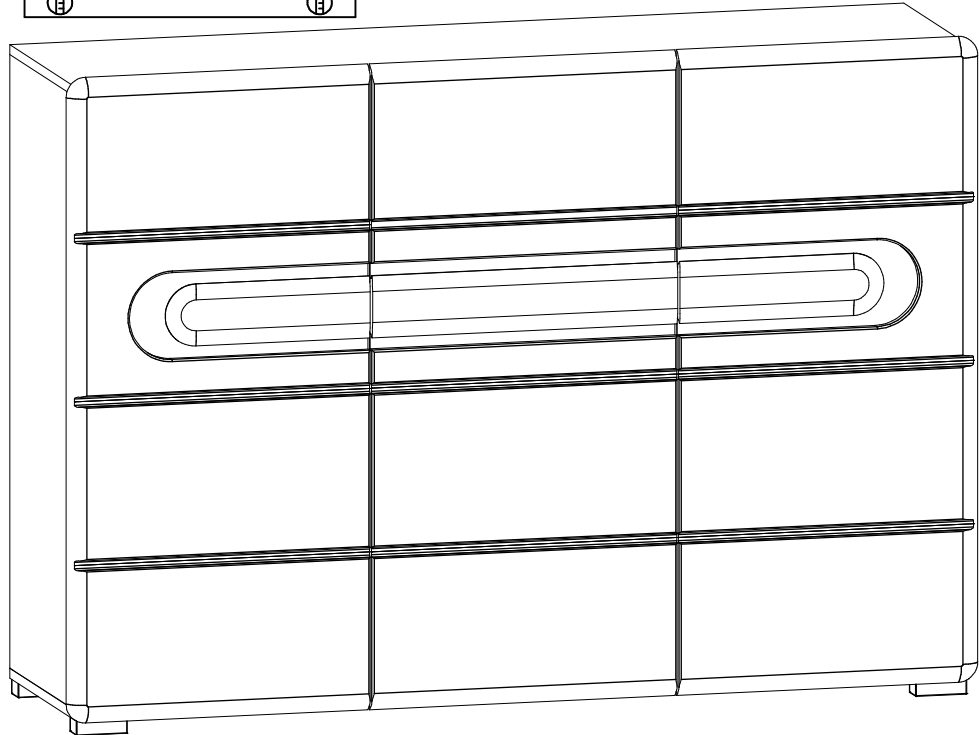
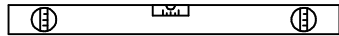
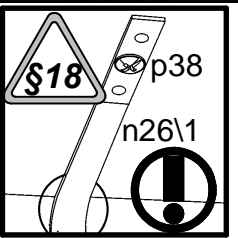
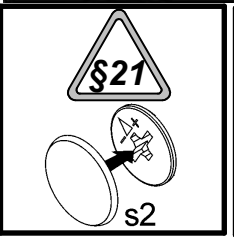
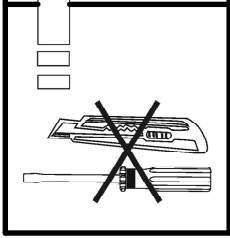
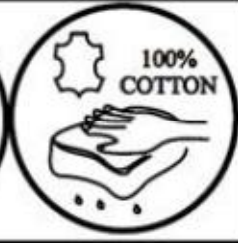
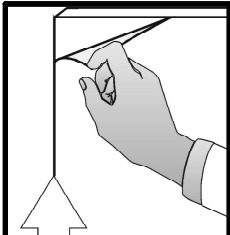
10

§6

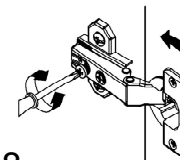
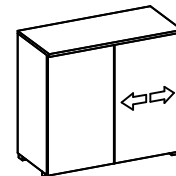
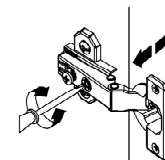
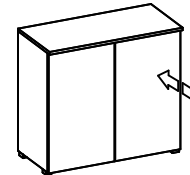
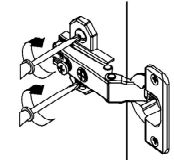
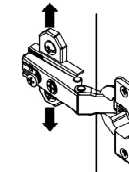
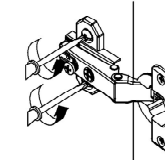
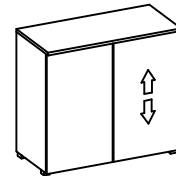
§19



11



a109



a108