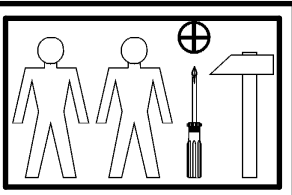
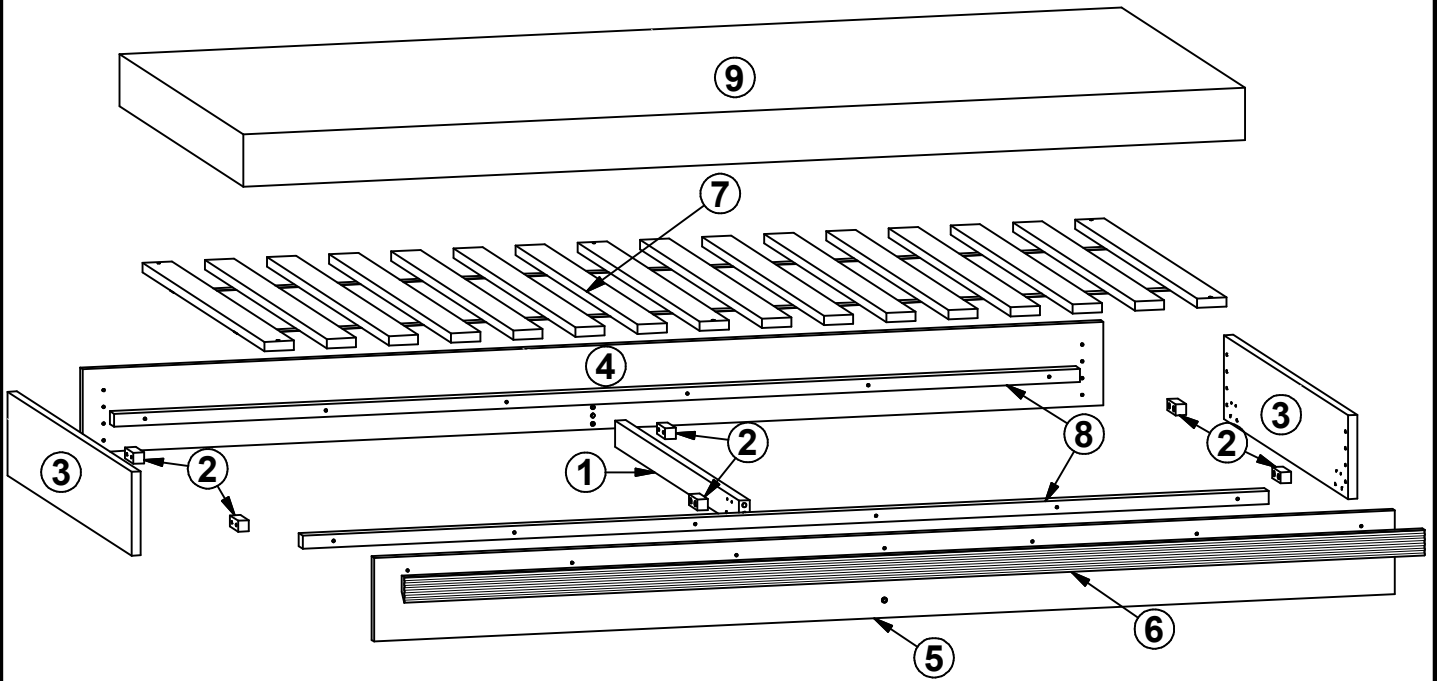
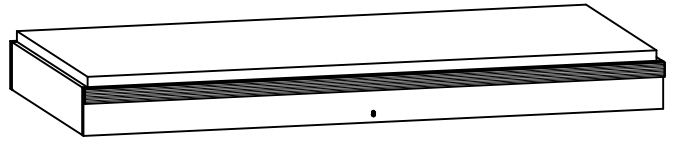


CAPS

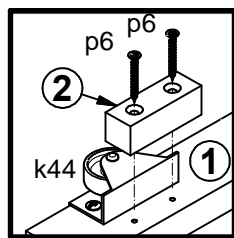
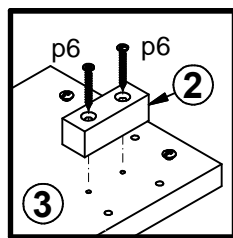
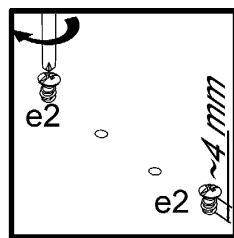
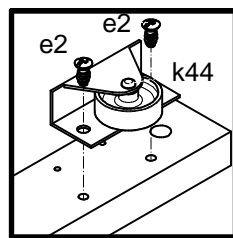
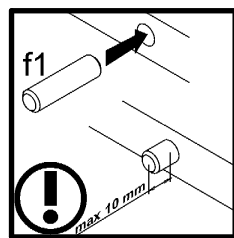
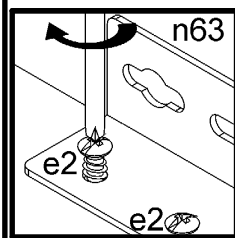
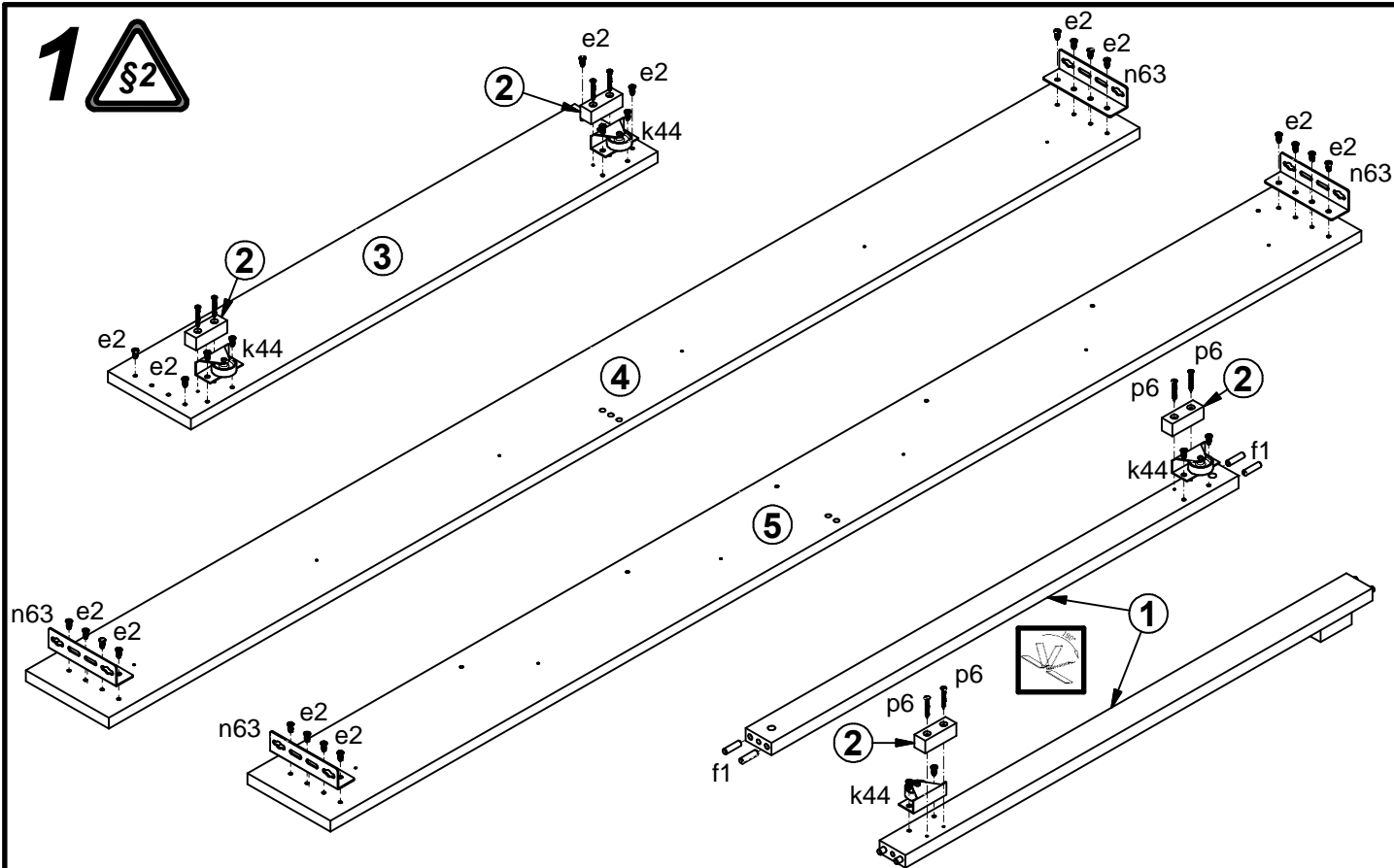
S153-LOZ/85D

| A | B | C | D | |
|---|----------|------|-----|-----|
| 1 | S153-401 | 900 | 50 | 1/3 |
| 2 | S153-402 | 60 | 21 | 1/3 |
| 3 | S153-501 | 900 | 160 | 1/3 |
| 4 | S153-502 | 1987 | 160 | 1/3 |
| 5 | S153-503 | 1987 | 160 | 1/3 |
| 6 | S153-576 | 1986 | 49 | 2/3 |
| 7 | ZZ1-504 | 1872 | 886 | 1/1 |
| 8 | ZZ1-720 | 1880 | 25 | 1/3 |
| 9 | S153-413 | 1950 | 900 | 3/3 |

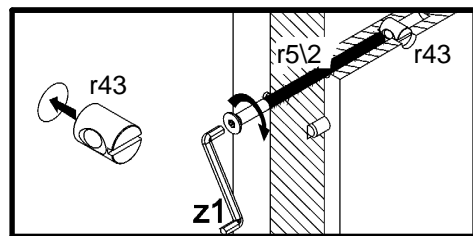
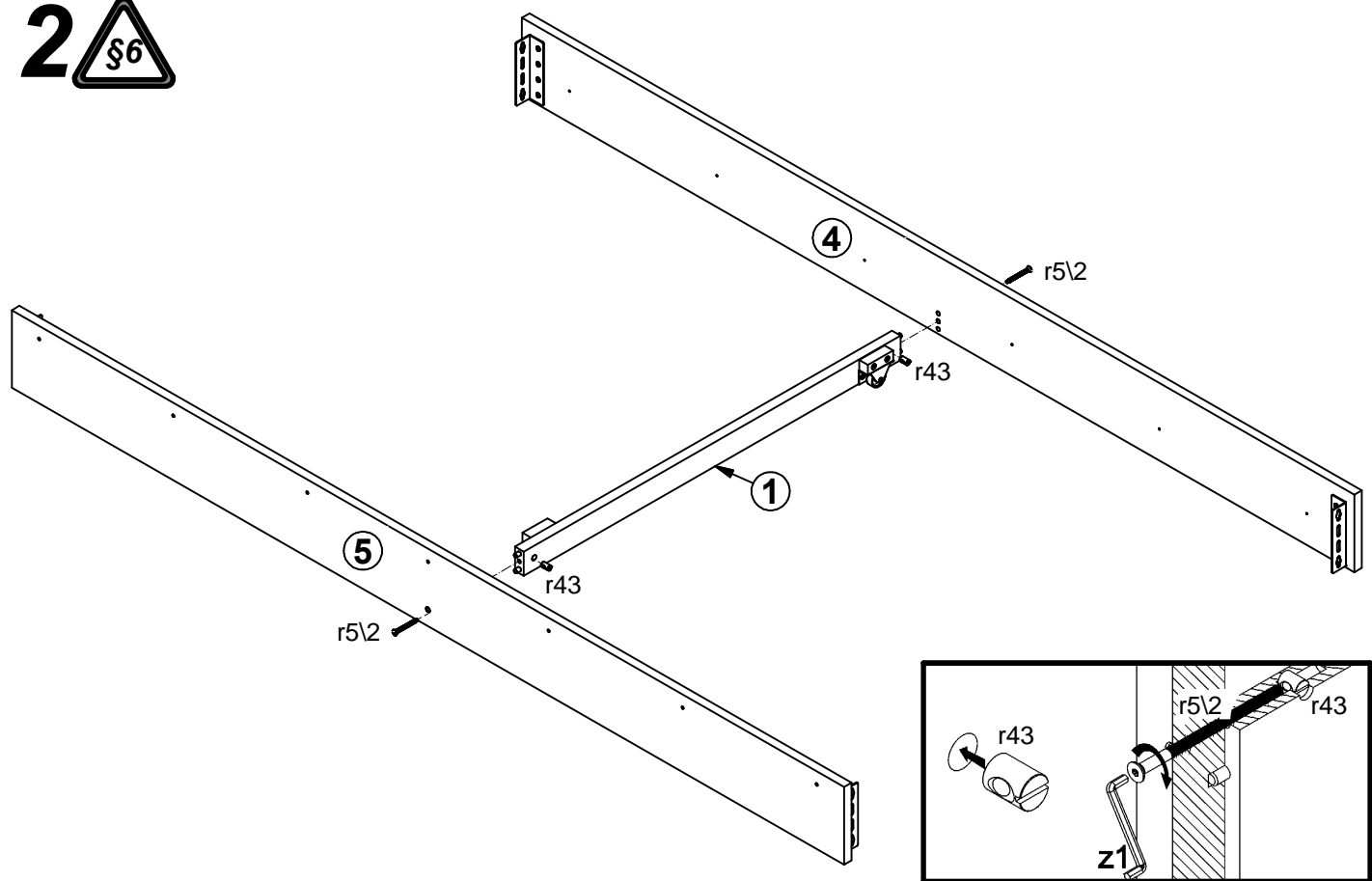


| | | | | | | | | |
|------------------------------------|---------------------------------|----------------------|--|-----------------------------------|----------------------------------|----------------------------------|----------------------------------|-----------------------------------|
| 44x φ6.3x13 mm e2 | 4x φ8x30 mm f1 | 6x k44 | 4x 130x34x3.4-2mm n63 | 12x φ4x45 mm p11 | 18x φ4x35 mm p6 | 7x φ4x28 mm p94 | 2x φ10x16mm r43 | 2x φ6x54 mm r512 |
| 2x s1 | 1x z1 | | | | | | | |

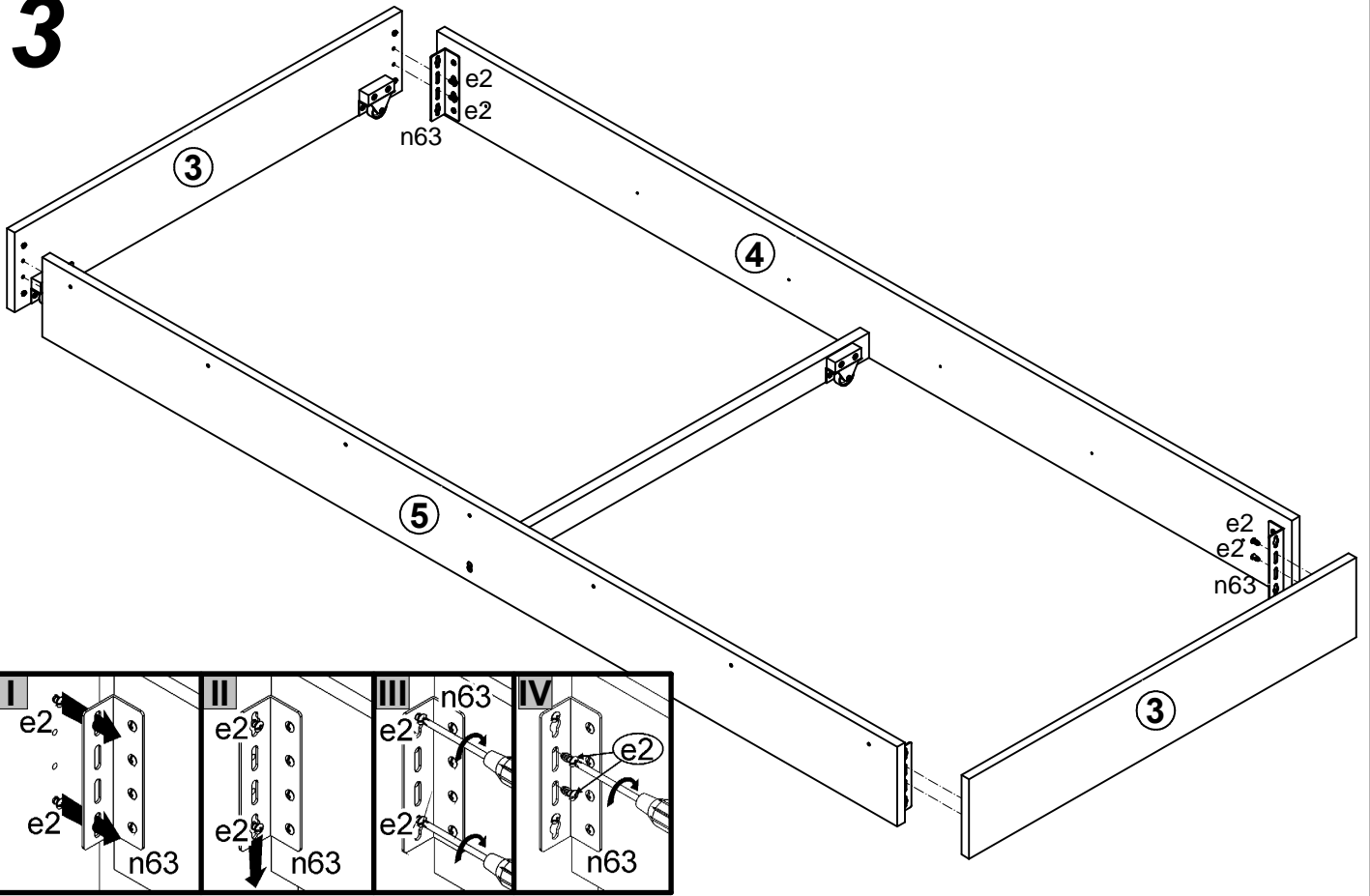
1



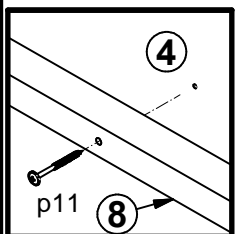
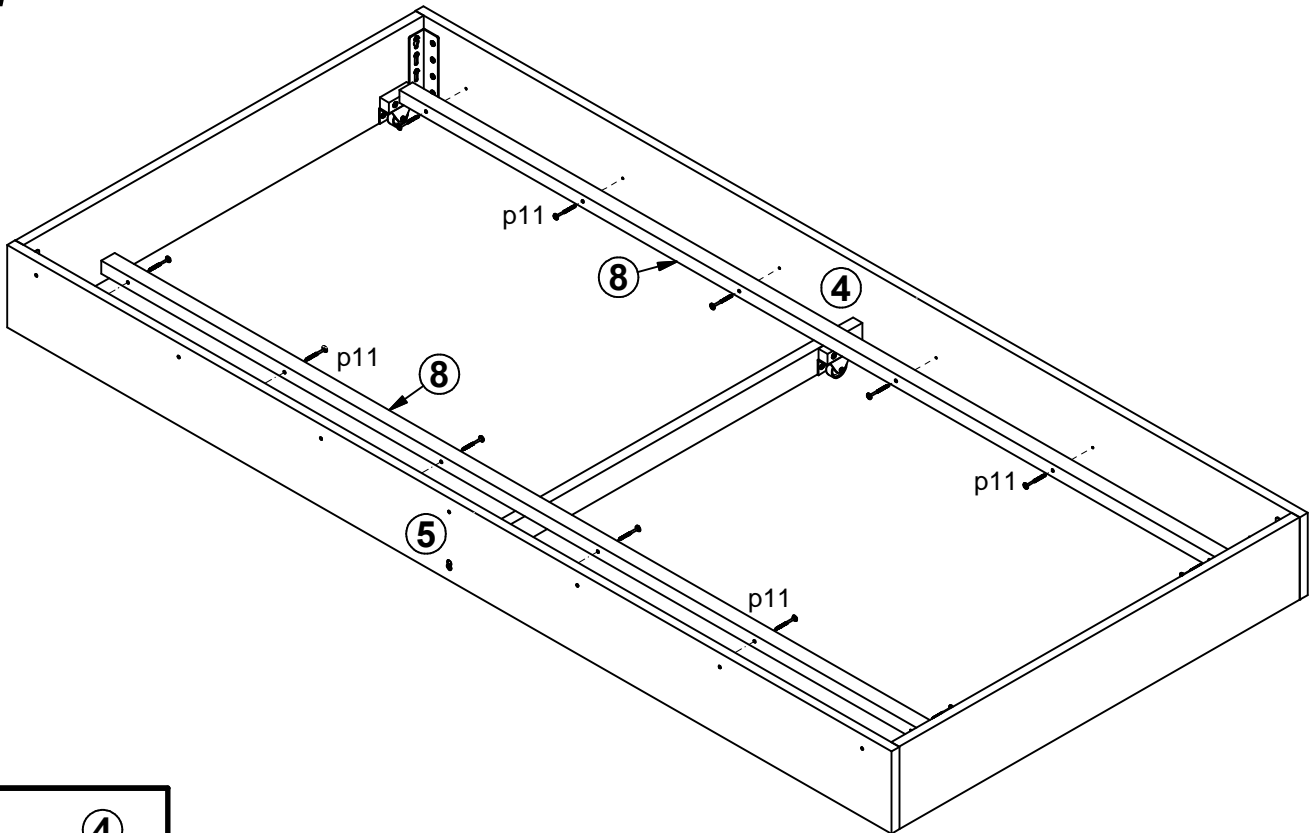
2



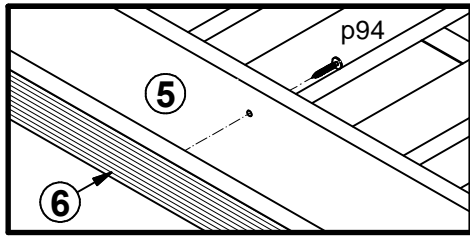
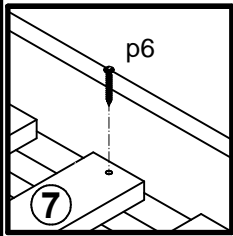
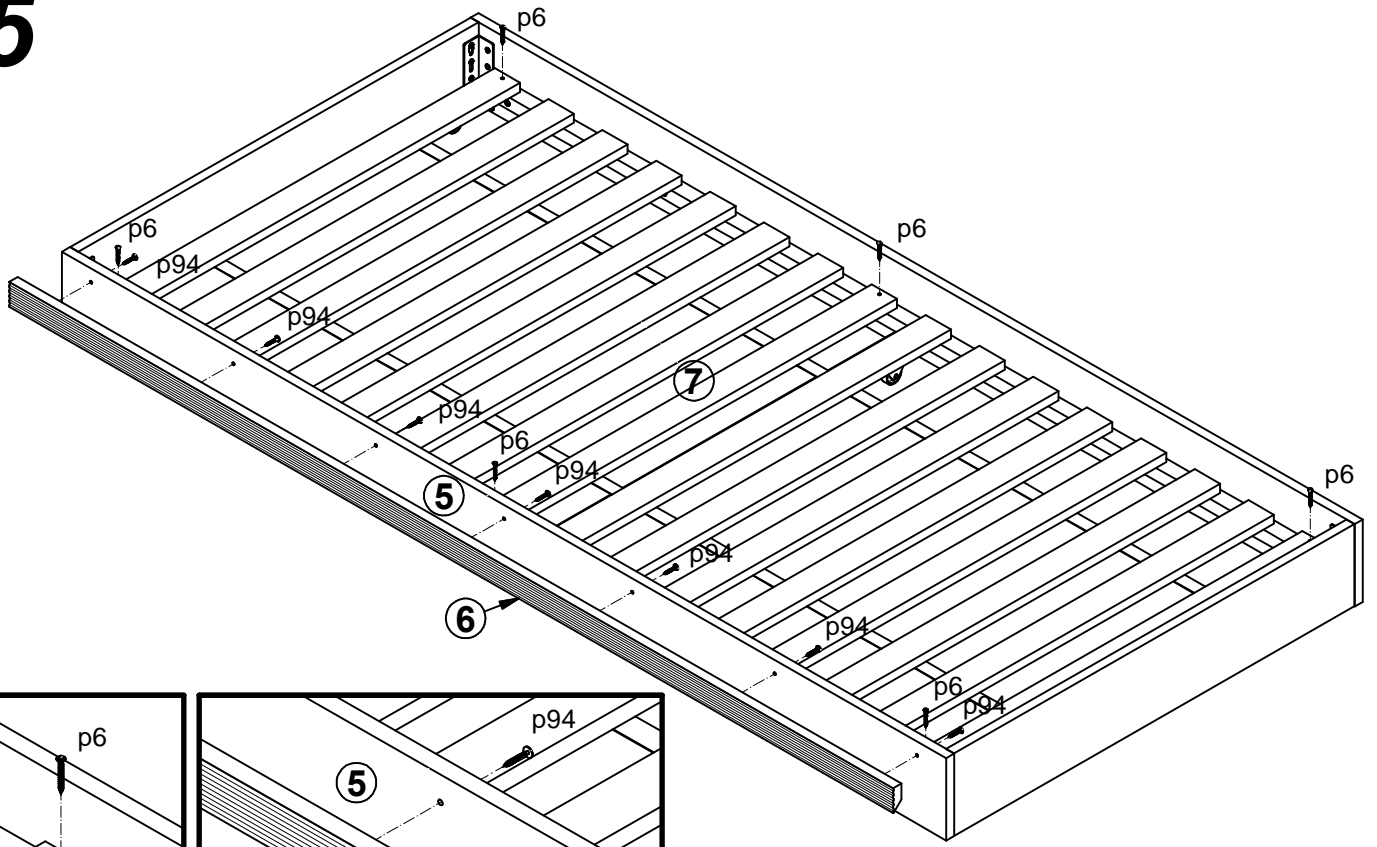
3



4



5



6

