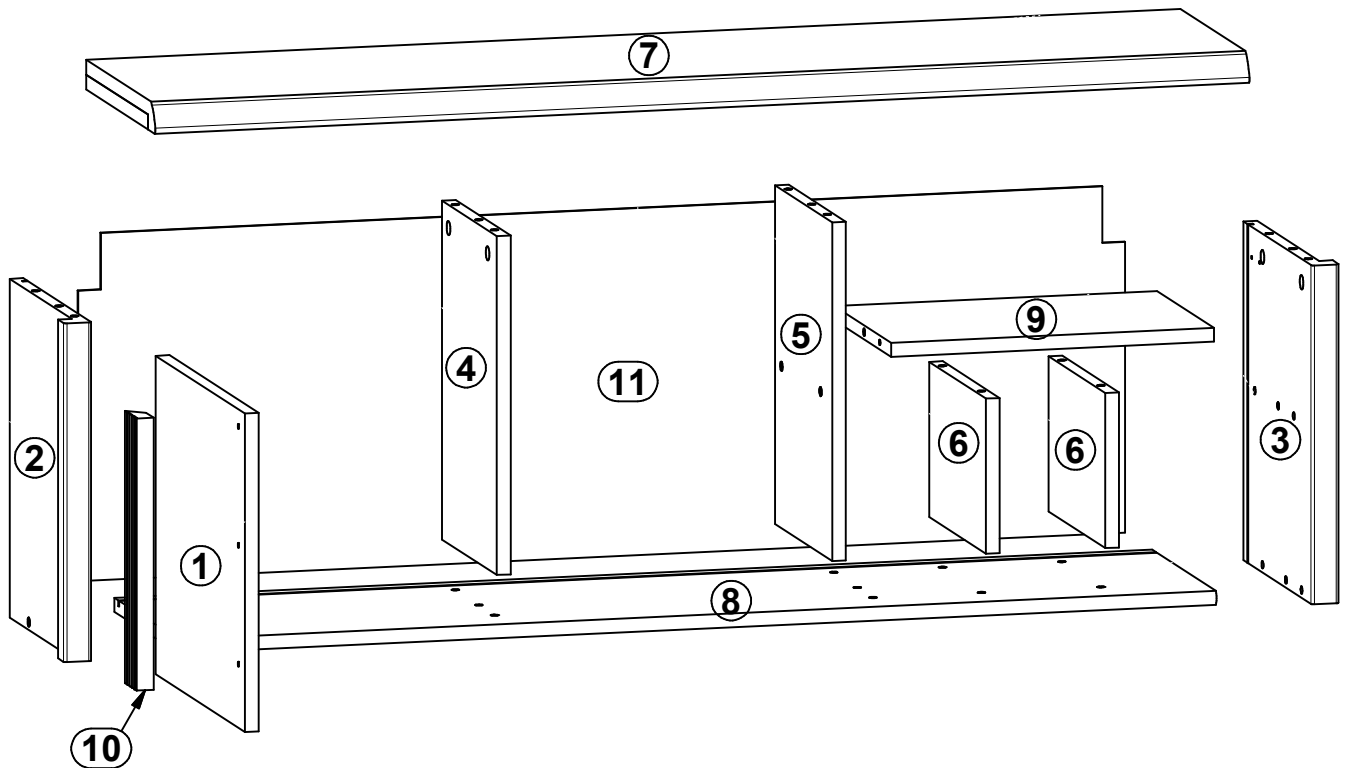
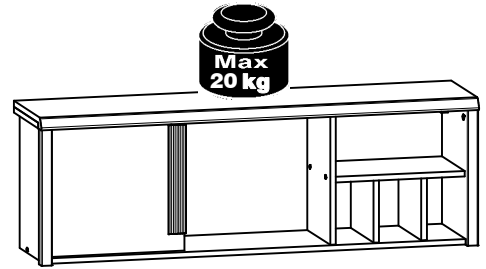


CAPS

S153-SFW1D/120

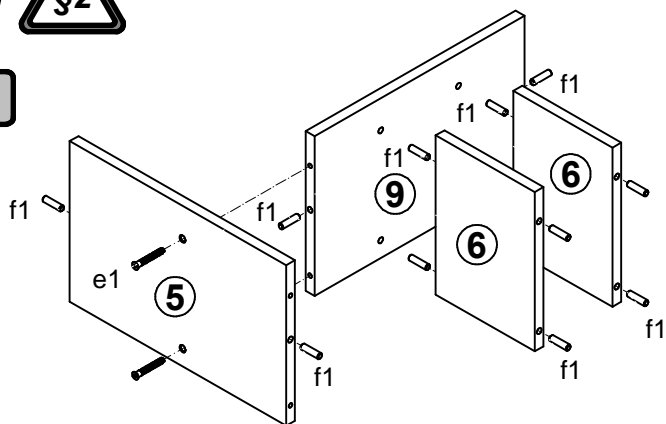
| A | B | C | D |
|----|----------|------|---------|
| 1 | S153-014 | 343 | 365 1/2 |
| 2 | S153-119 | 365 | 279 1/2 |
| 3 | S153-120 | 365 | 279 1/2 |
| 4 | S153-121 | 365 | 224 1/2 |
| 5 | S153-124 | 365 | 234 1/2 |
| 6 | S153-125 | 167 | 232 1/2 |
| 7 | S153-206 | 1200 | 283 1/2 |
| 8 | S153-317 | 1138 | 263 1/2 |
| 9 | S153-319 | 354 | 233 1/2 |
| 10 | S153-581 | 293 | 49 2/2 |
| 11 | S153-911 | 1148 | 374 1/2 |



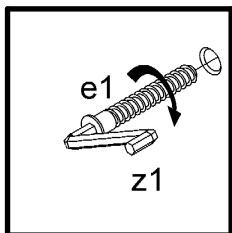
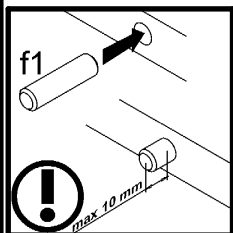
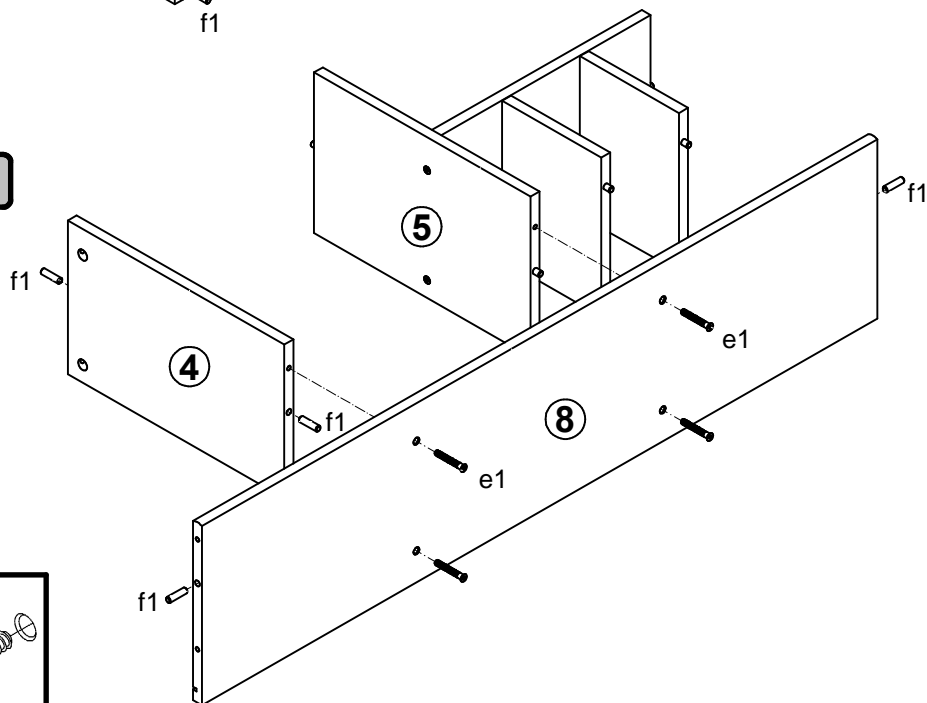
| | | | | | | | | |
|----------------------|---------------------------|-----------------------------|----------------------------|---------------------------|------------------------------|---------------|---------------|---------------------|
| 2x K16 a43 | 2x b19 | 12x φ7x50 mm e1 | 4x φ6,3x13 mm e2 | 18x φ8x30 mm f1 | 2x φ10x50 mm f35 | 15x l1 | 8x l2 | 1x n38VL |
| 1x n38IP | 4x φ4x30 mm p21 | 4x φ3,5x15 mm p51 | 3x φ4x22 mm p60 | 2x φ5x60 mm p75 | 8x φ15x12mm #16 r1 | 8x r42 | 12x s1 | 6x ø16 s2 |
| 1x z1 | | | | | | | | |

1

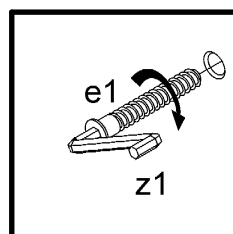
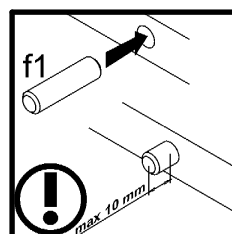
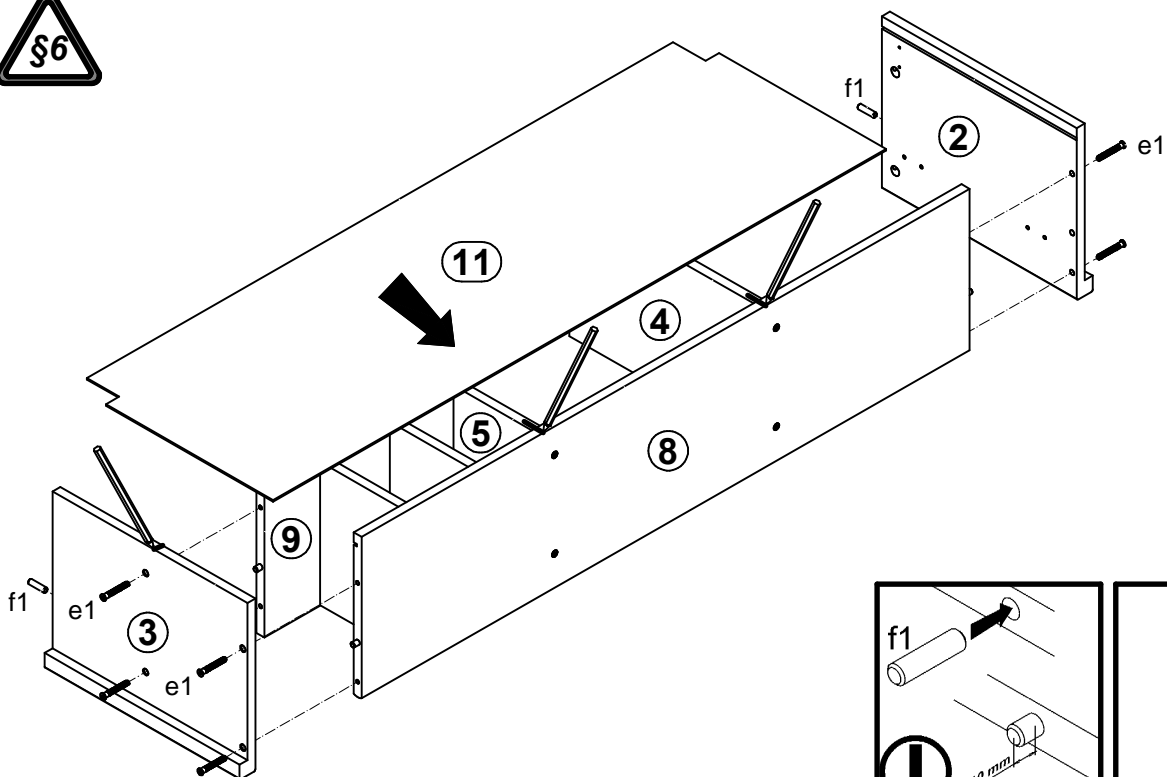
I

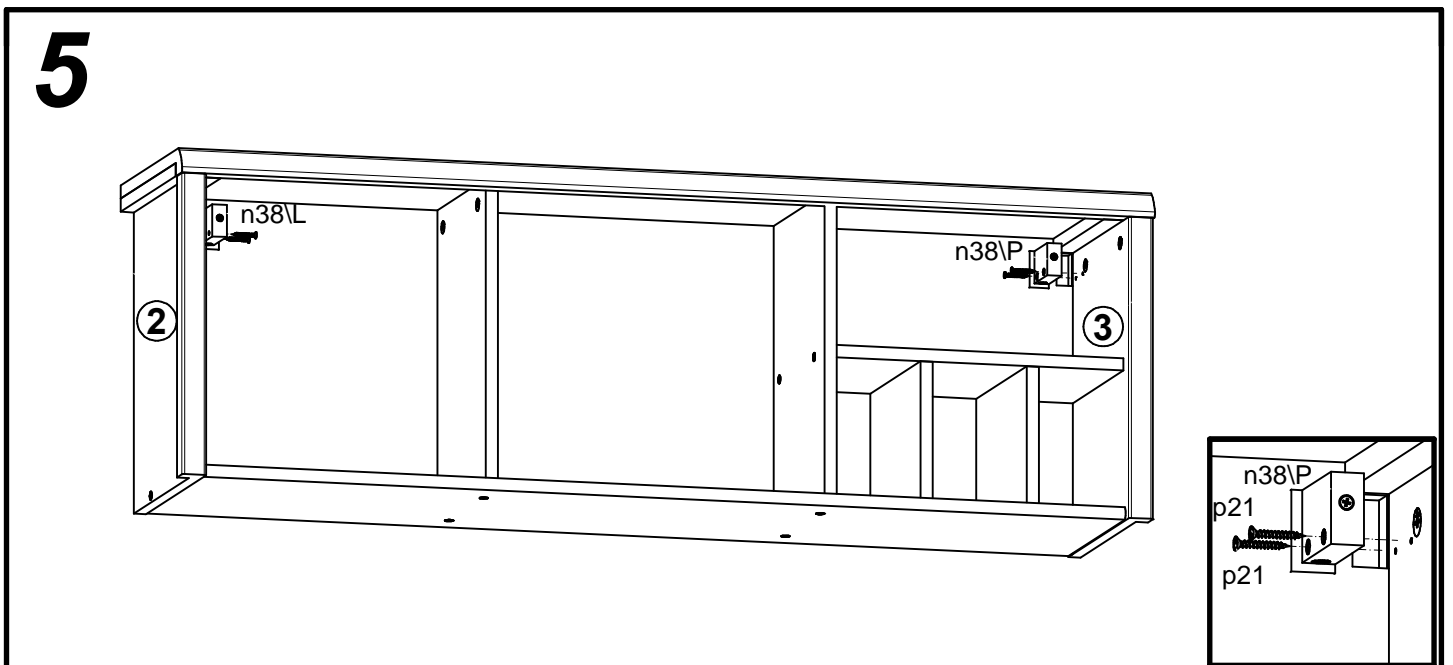
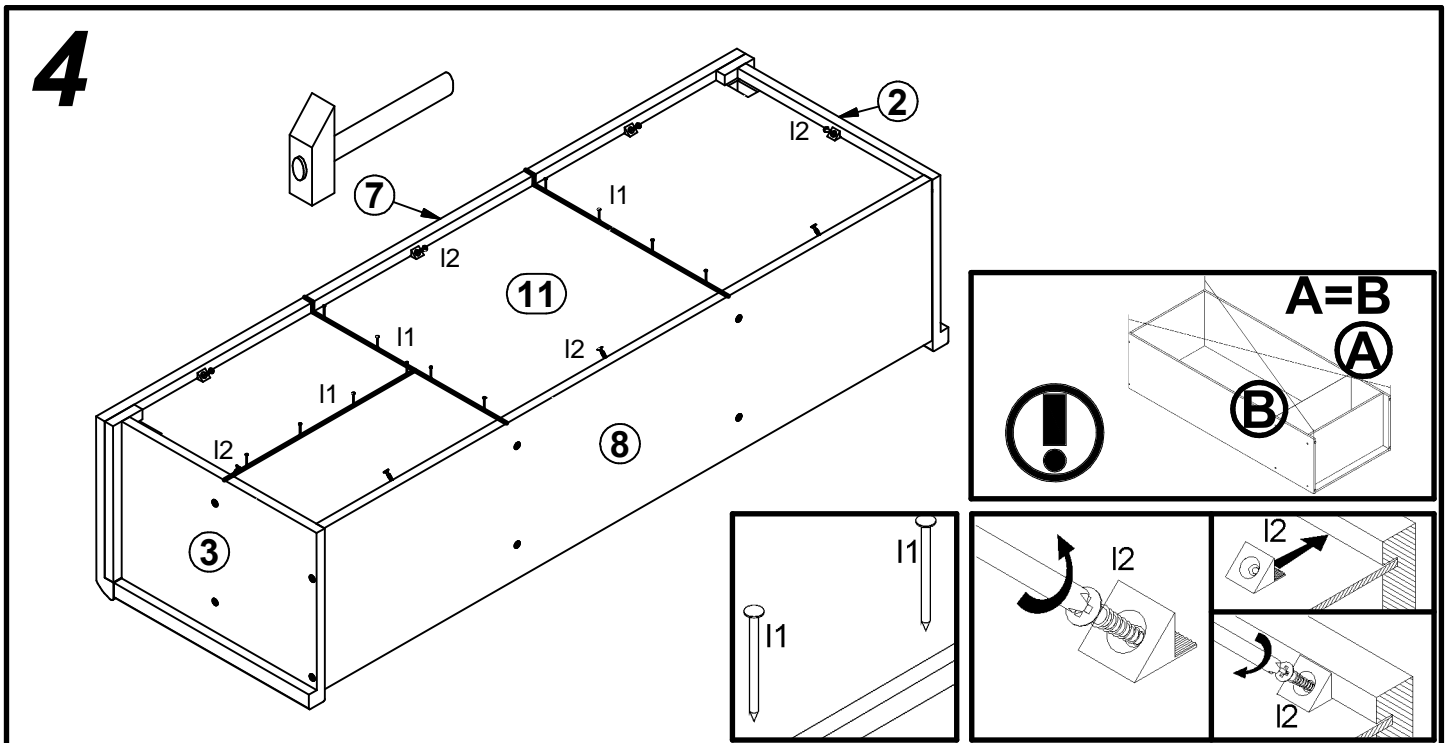
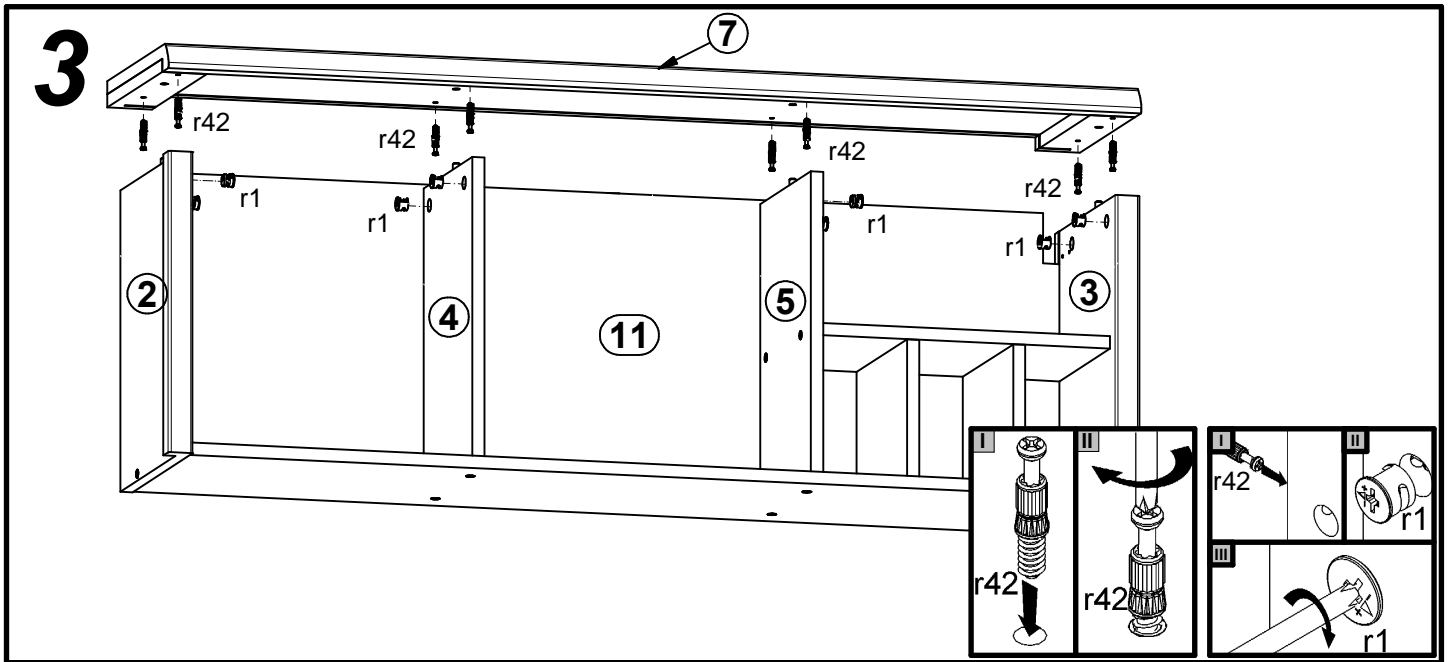


II

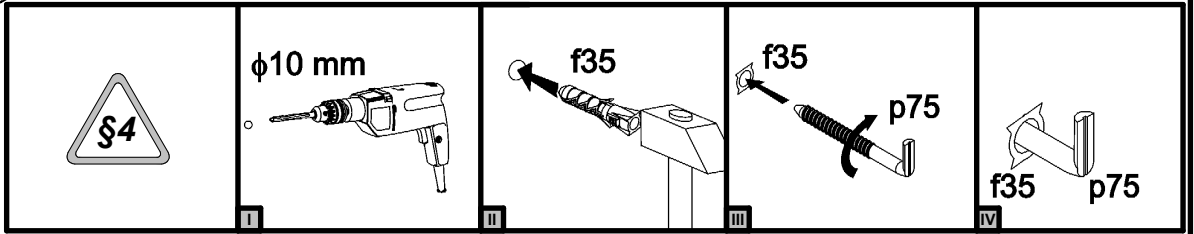
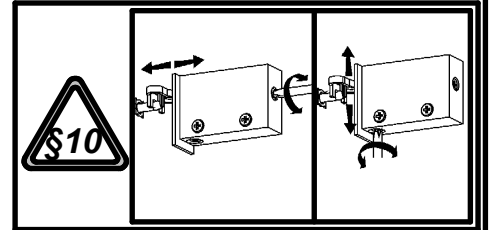
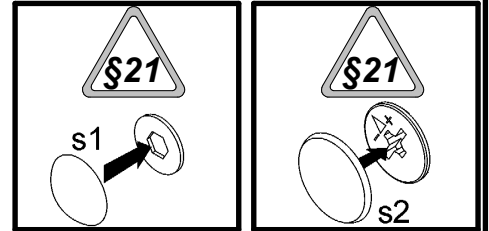
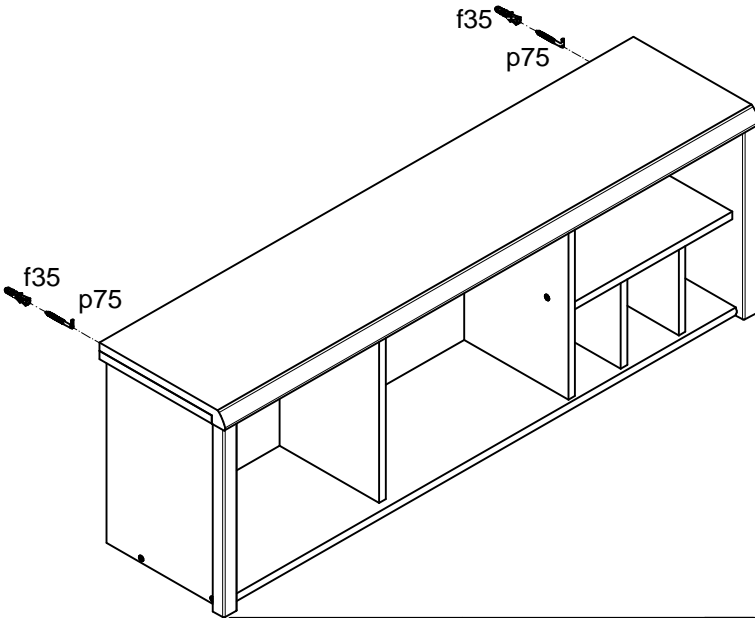
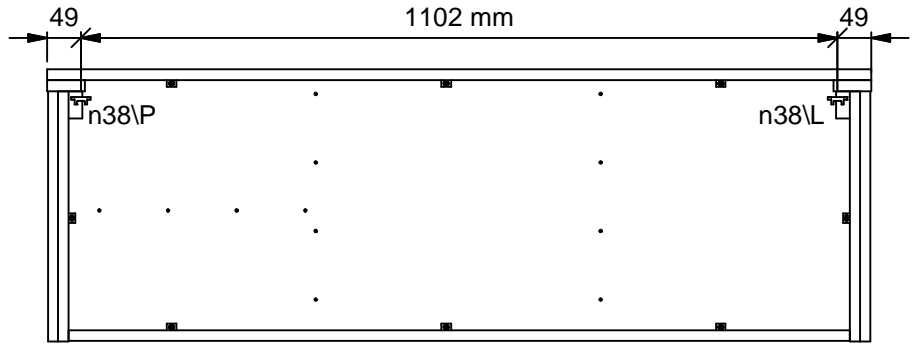


2





6



7

