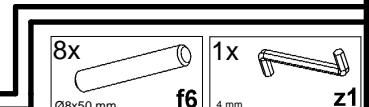
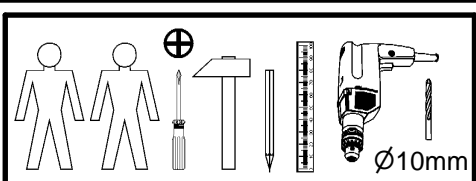
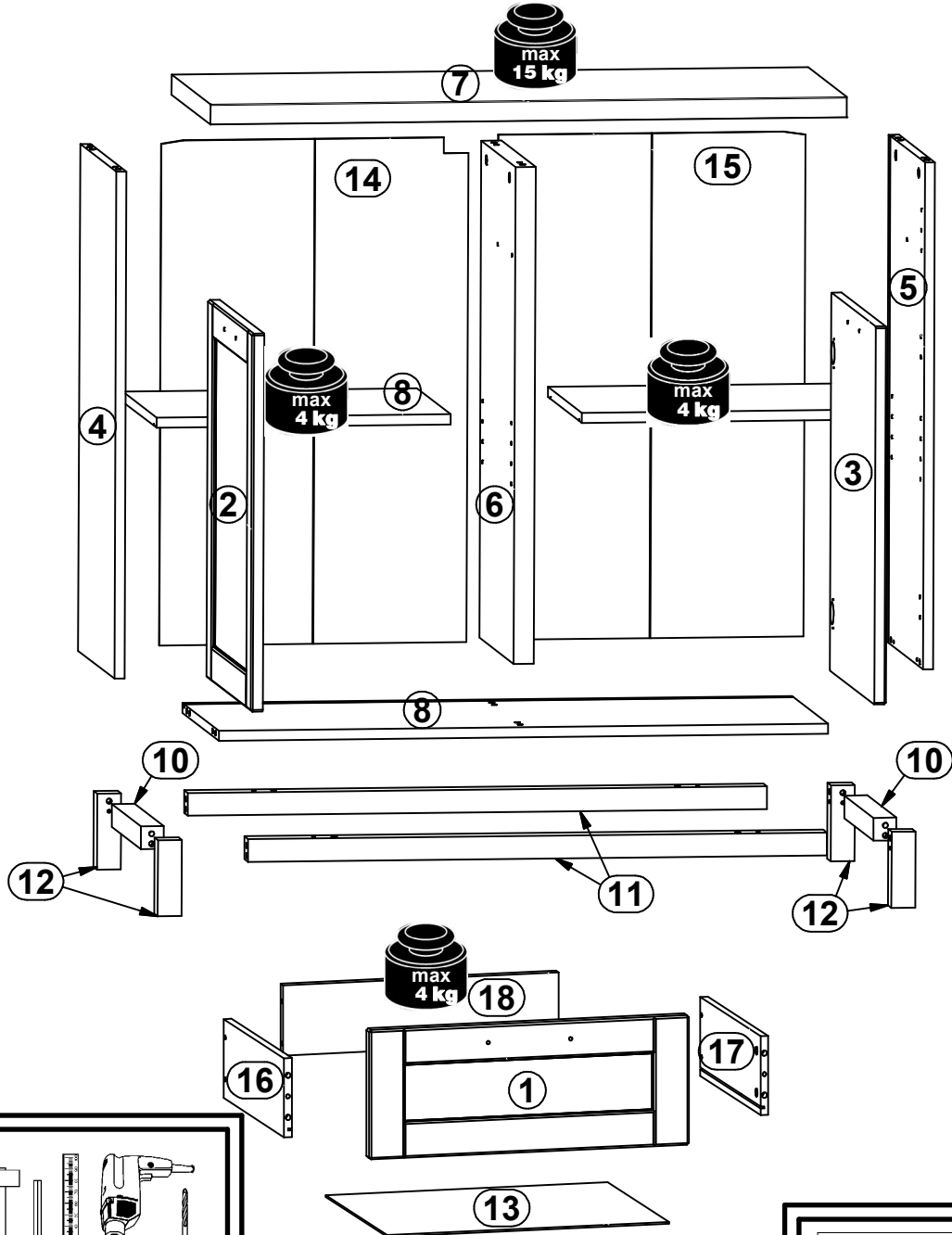
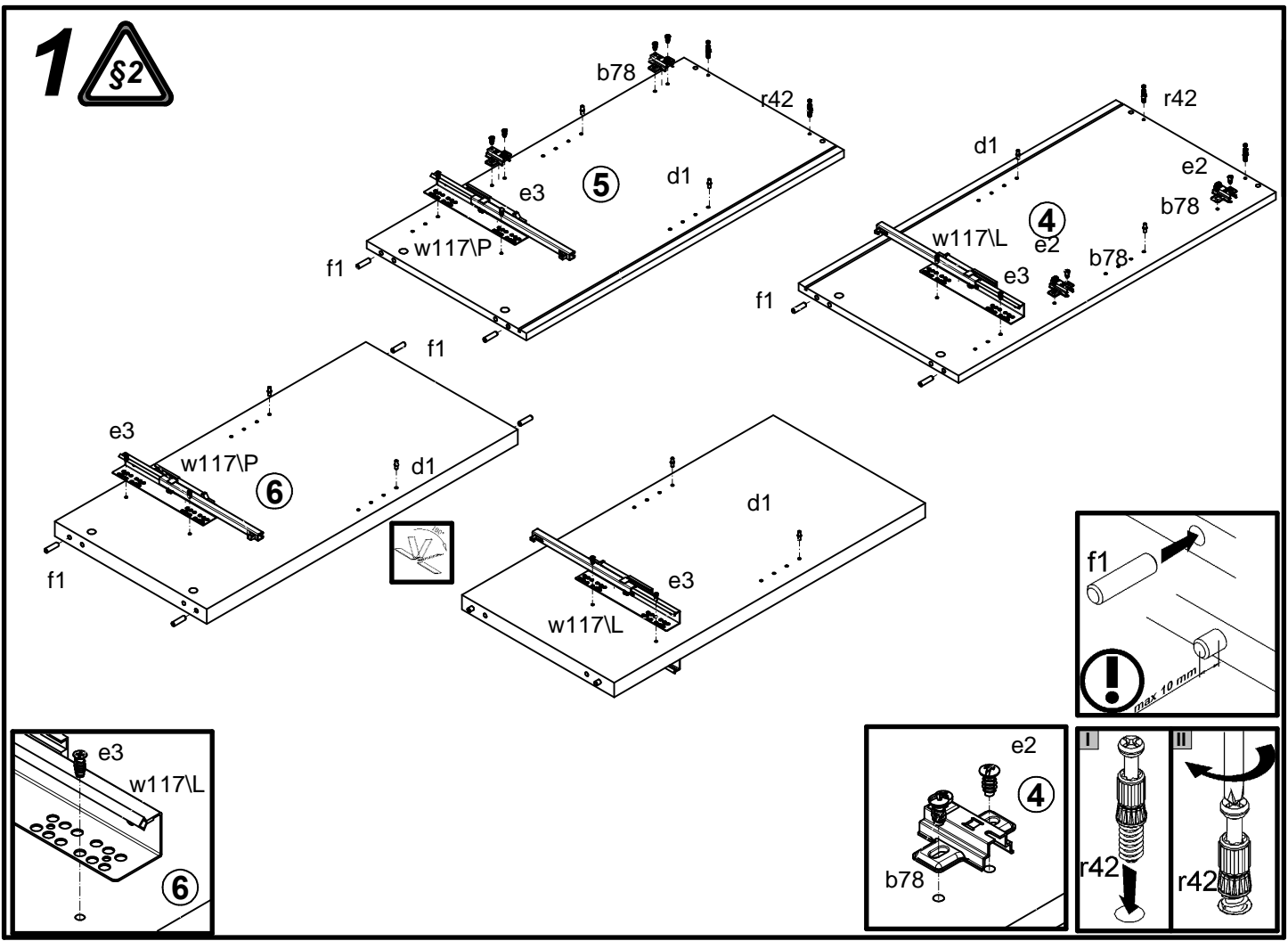


A	B	C	D	A	B	C	D		
1	S369-0003	496	197	3/3	10	S369-4002	323	36	2/3
2	S369-0004	597	496	3/3	11	S369-4003	918	40	2/3
3	S369-0005	597	496	3/3	12	S369-5004	120	38	2/3
4	S369-1003	800	403	1/3	13	S369-9002	437	355	3/3
5	S369-1004	800	403	1/3	14	S369-9302	797	487	1/3
6	S369-1005	784	383	1/3	15	S369-9303	797	487	1/3
7	S369-2002	1009	432	1/3	16	ZQ5-501	350	120	3/3
8	S369-3002	966	403	1/3	17	ZQ5-502	350	120	3/3
9	S369-3003	466	377	3/3	18	ZQ5-505	427	107	3/3

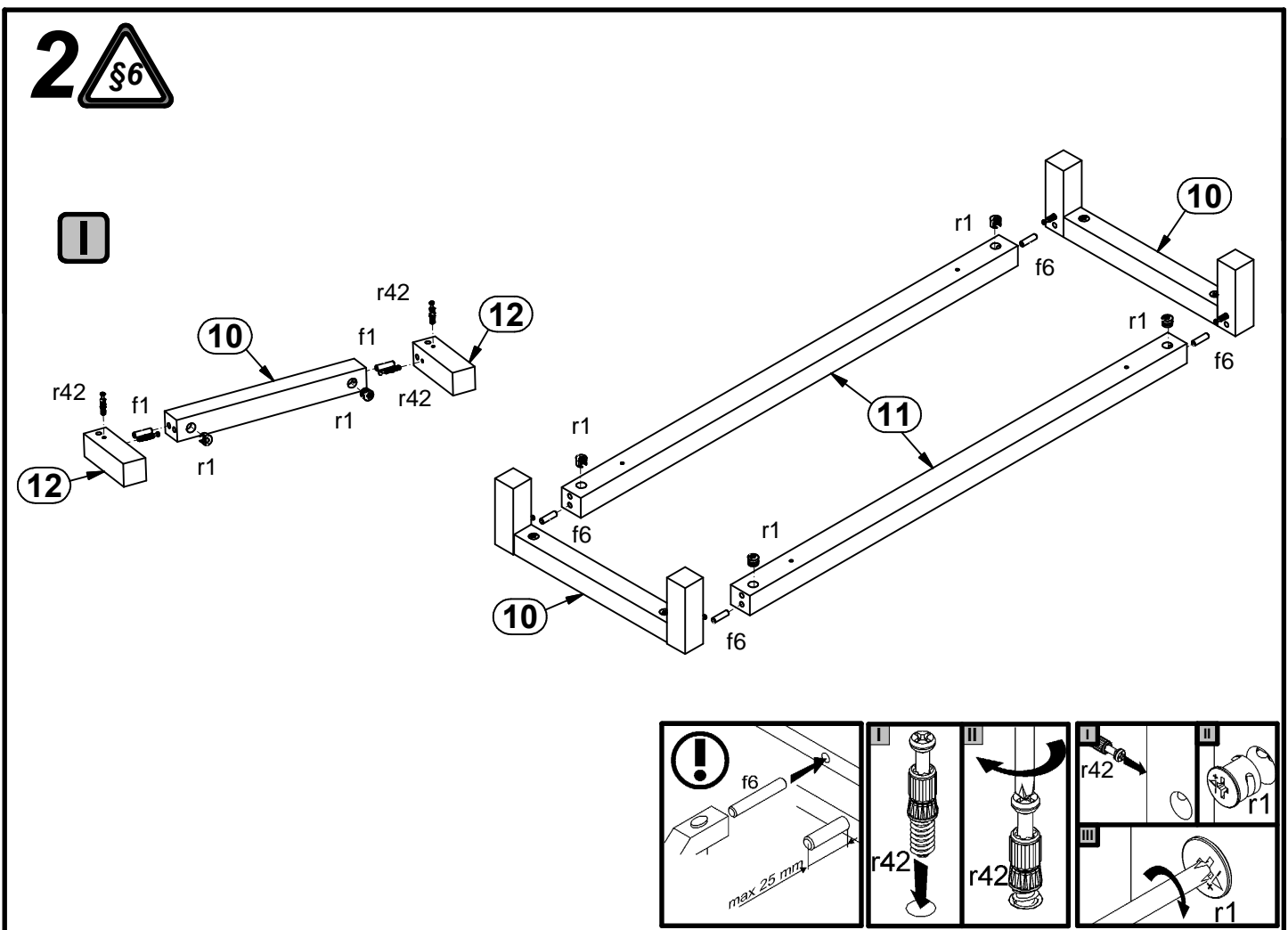


2x a133	4x a158	4x b78	4x c454 128mm	8x d1 Ø5x17 mm	2x e1 Ø7x50 mm	8x e2 Ø6.3x13 mm	8x e3 Ø6x13 mm	4x p12 Ø4x50 mm
16x f1 Ø8x30 mm	8x f25 Ø6.5x40 mm	1x f35 Ø10x50 mm	4x f9 Ø6x30 mm	8x j11 M4x28 mm	12x i2	4x n108 20x13x3.51	1x n14/2 88x21x151.5	1x p17 Ø5x60 mm
8x p38 Ø3.5x16 mm	8x p51 Ø3.5x15 mm	4x p55 Ø2.9x16 mm	18x r1 Ø15x12 mm #16	8x r15 Ø12x10.5 mm #12	26x r42 20/11	2x W117/L 350 mm	2x W117/P 350 mm	6x s68 Ø 20mm

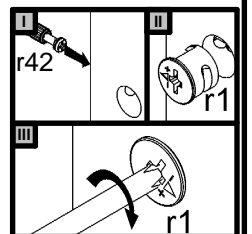
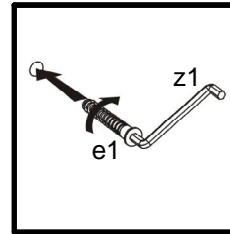
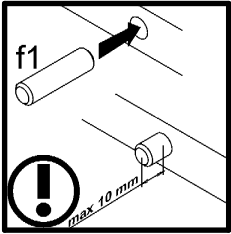
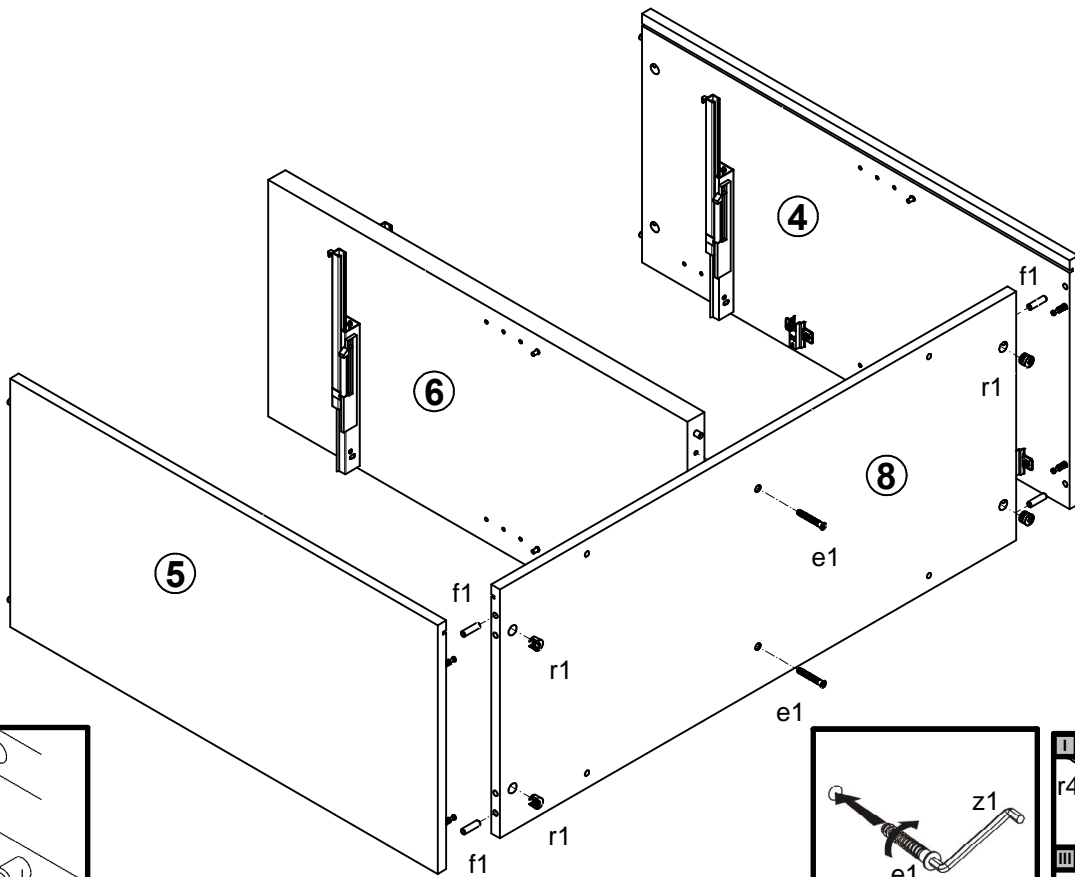
1



2



3



4

