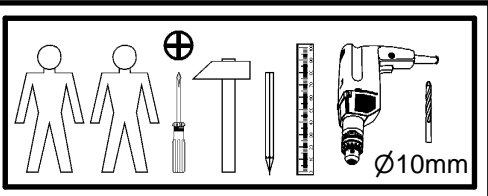
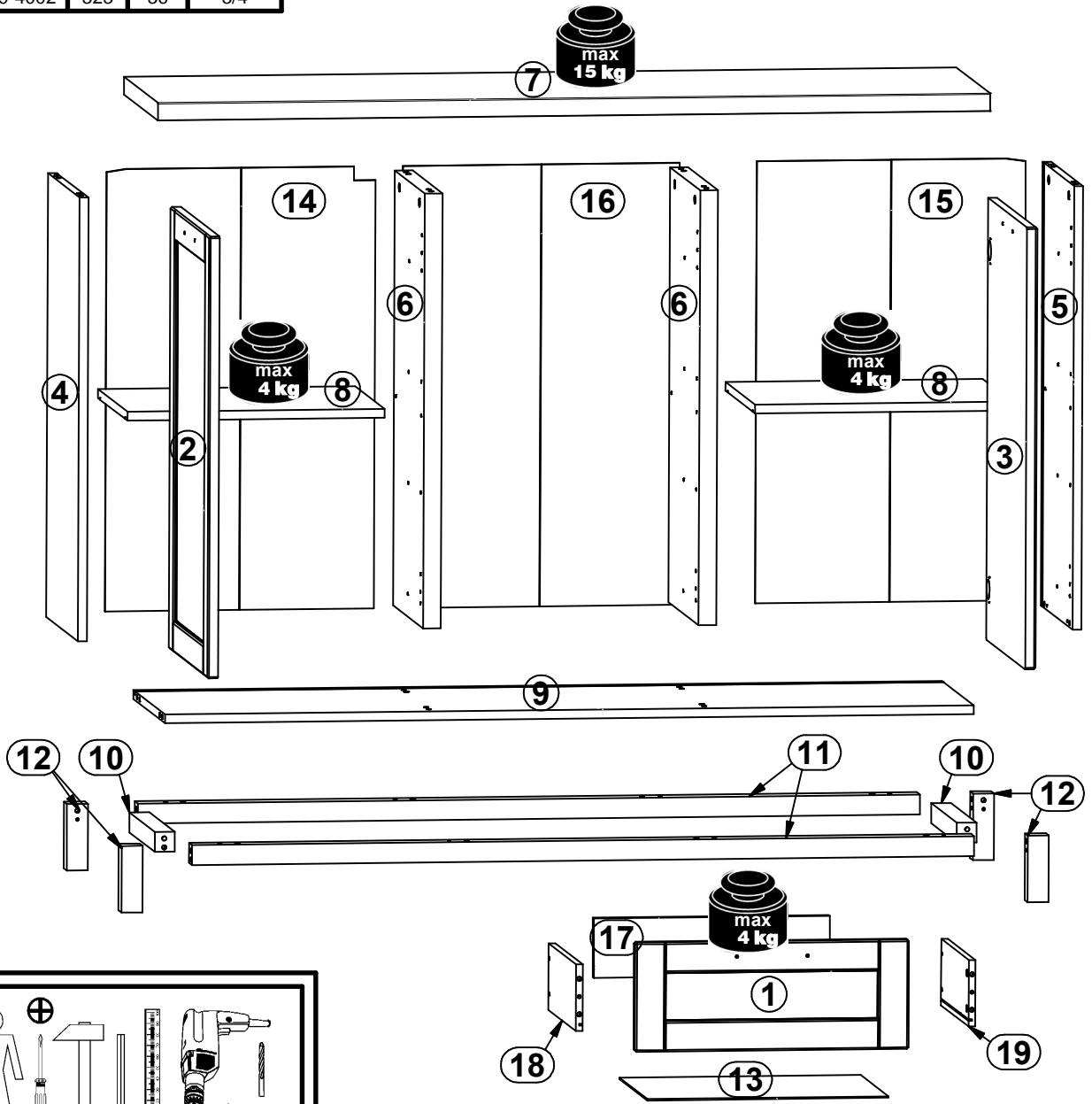
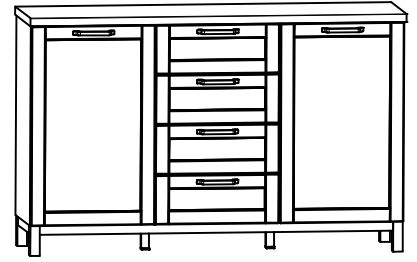
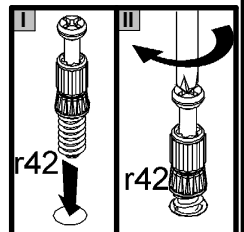
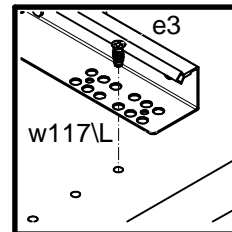
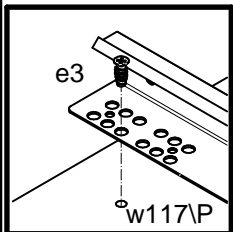
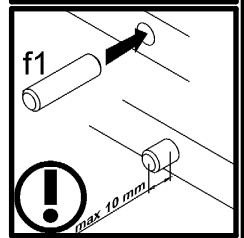
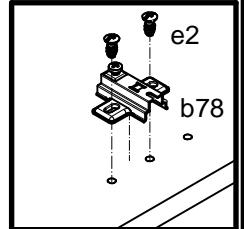
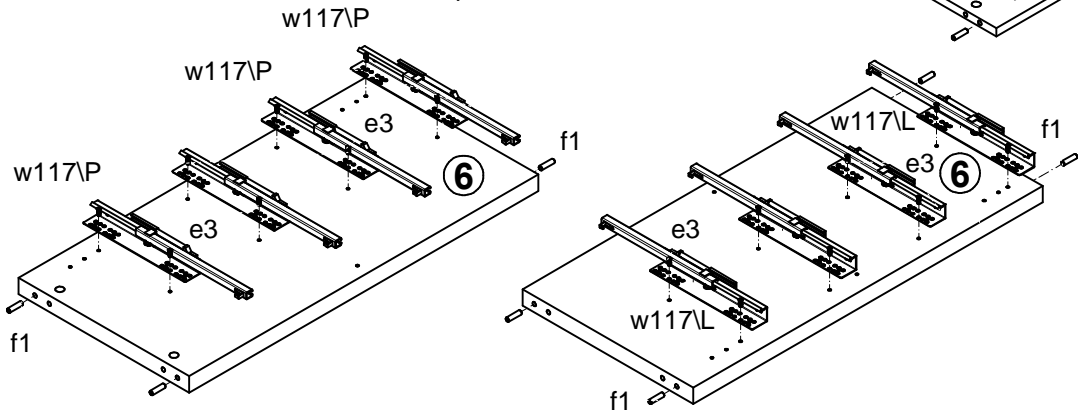
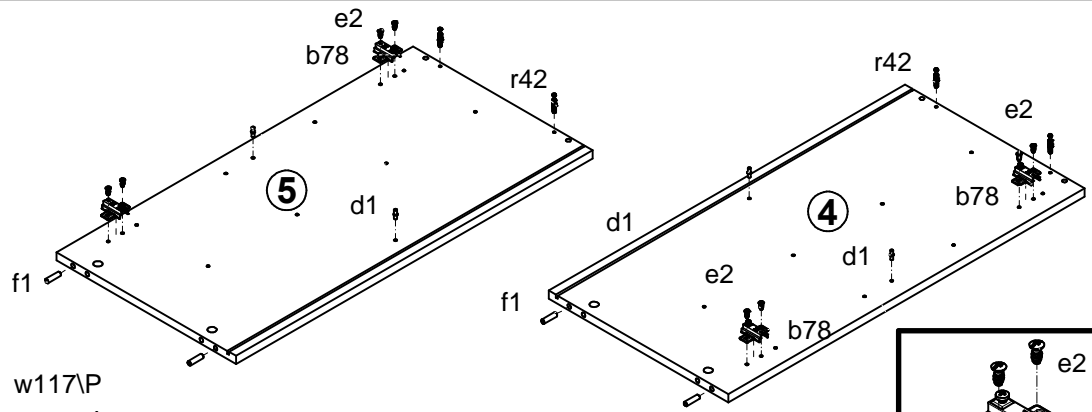


A	B	C	D	A	B	C	D		
1	S369-0003	496	197	4/4	11	S369-4005	1417	40	3/4
2	S369-0006	797	496	4/4	12	S369-5004	120	38	3/4
3	S369-0007	797	496	4/4	13	S369-9002	437	355	4/4
4	S369-1006	800	403	1/4	14	S369-9302	797	487	1/4
5	S369-1007	800	403	1/4	15	S369-9303	797	487	1/4
6	S369-1008	784	383	1/4	16	S369-9306	797	501	1/4
7	S369-2004	1508	432	2/4	17	ZQ5-505	427	107	4/4
8	S369-3003	466	377	4/4	18	ZQ5-501	350	120	4/4
9	S369-3006	1465	403	2/4	19	ZQ5-502	350	120	4/4
10	S369-4002	323	36	3/4					

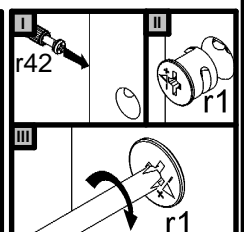
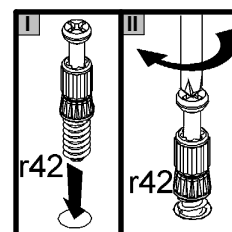
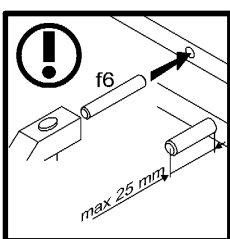
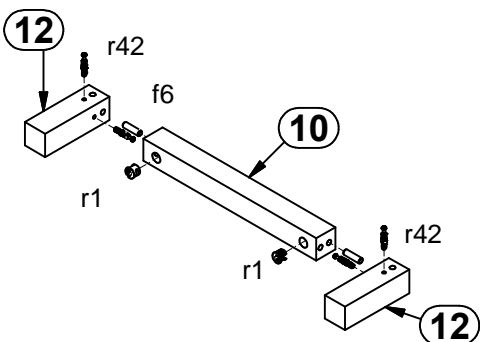
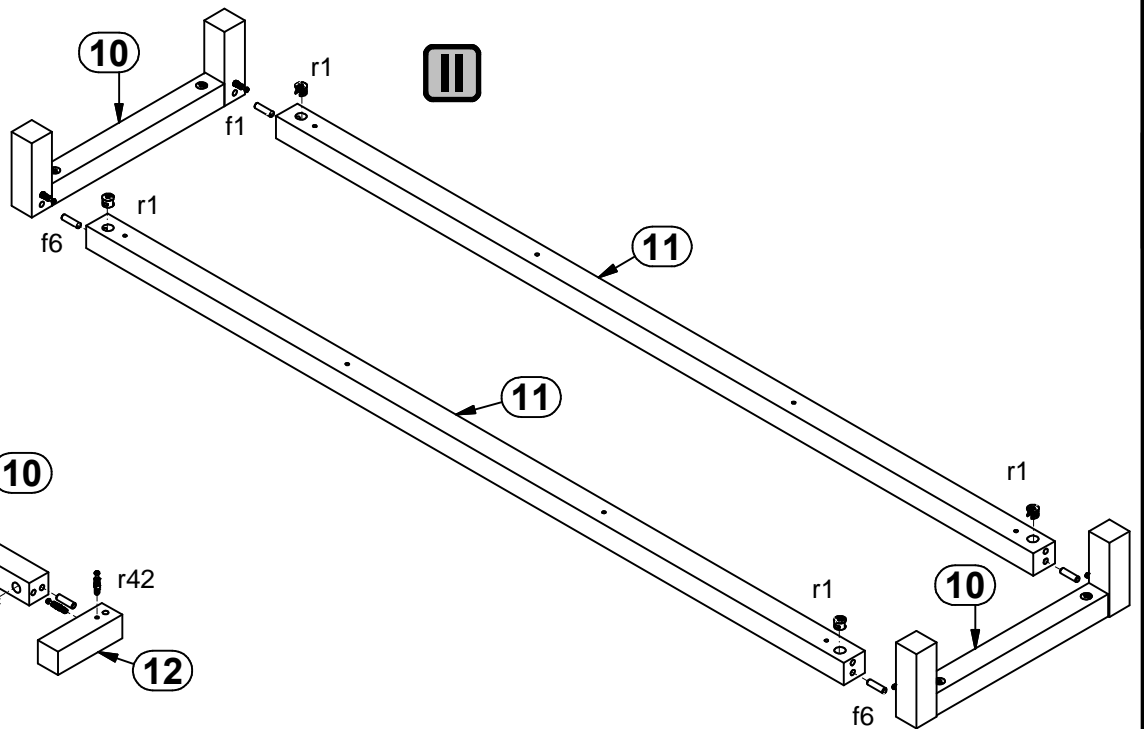


2x a133	4x a158	4x b78	6x c454	8x d1	4x e1	10x e2	16x e3	8x p12
24x f1	16x f25	1x f35	8x f9	12x j11	2x k38i3	2x k38i7	10x l2	8x n108
1x n14i2	1x p17	26x p38	8x p51	8x p55	20x r1	16x r15	36x r42	4x 350 mm W117/L
4x 350 mm W117/P	8x f6	8x s68	1x z1					

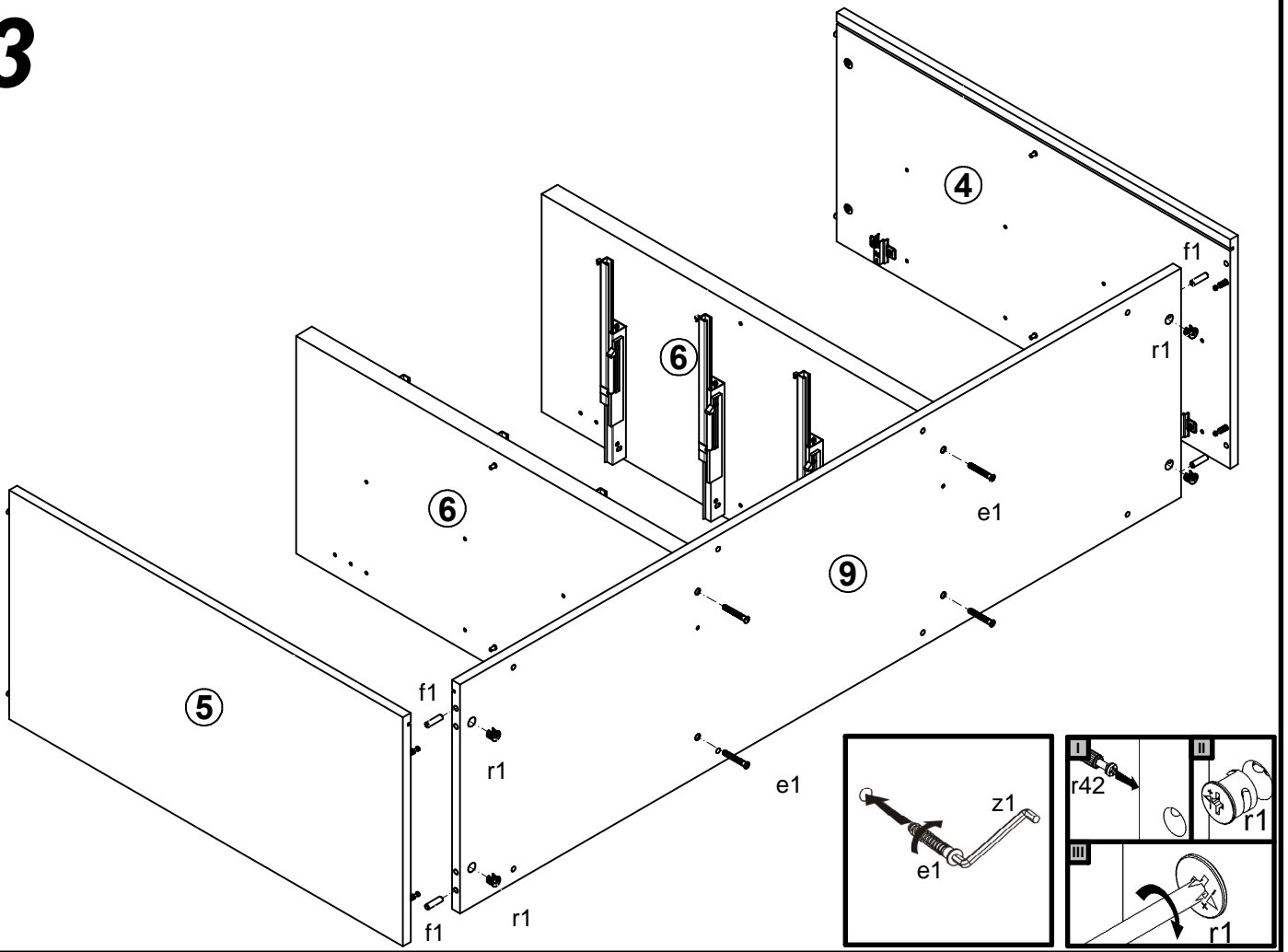
# 1



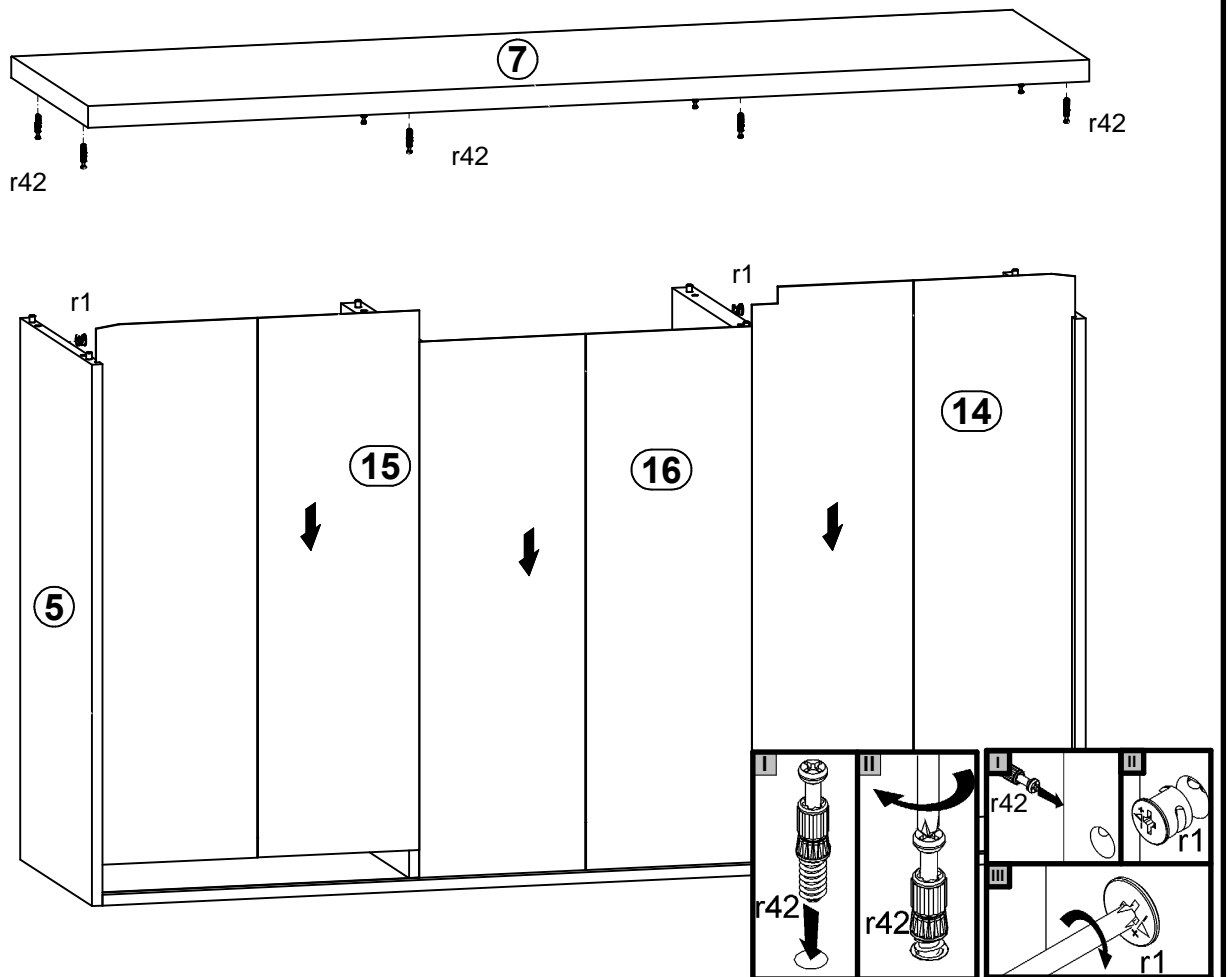
# 2



# 3

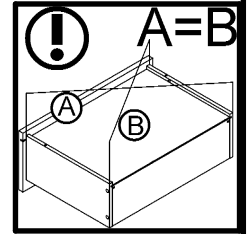
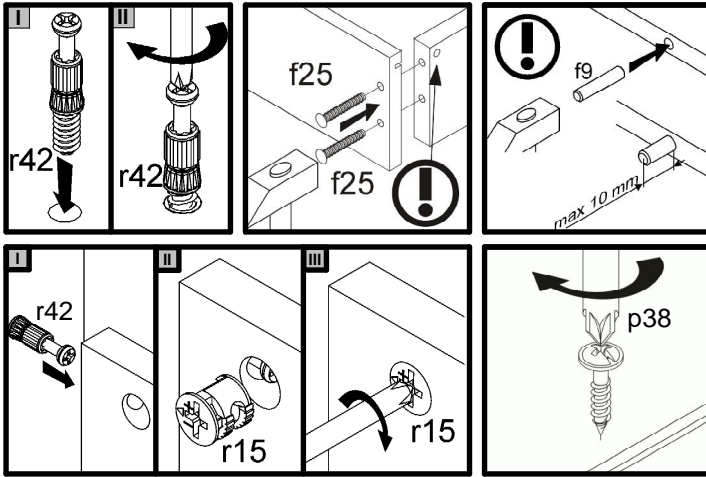
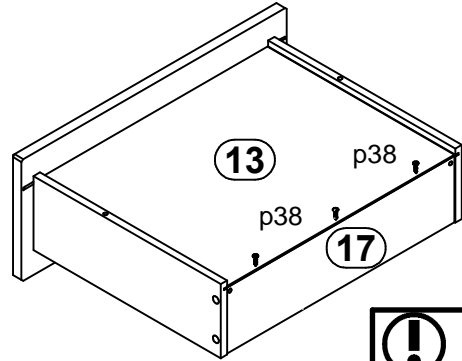
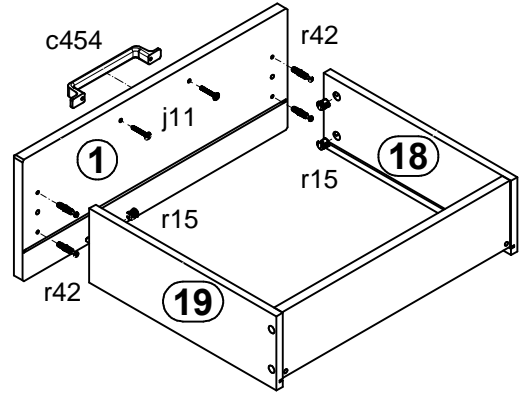
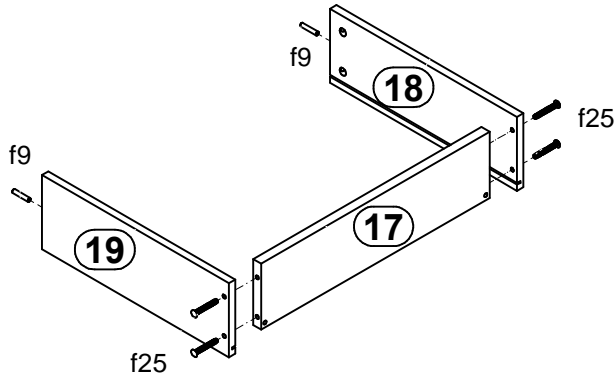


# 4

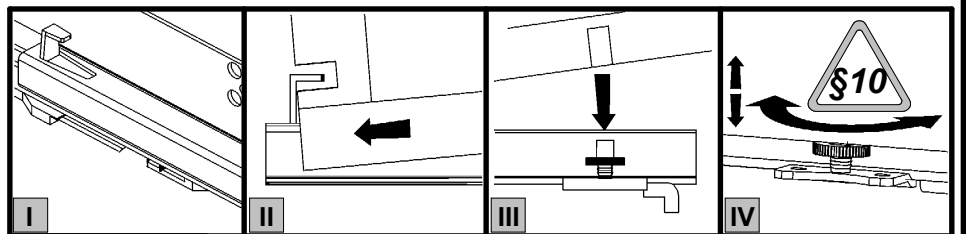
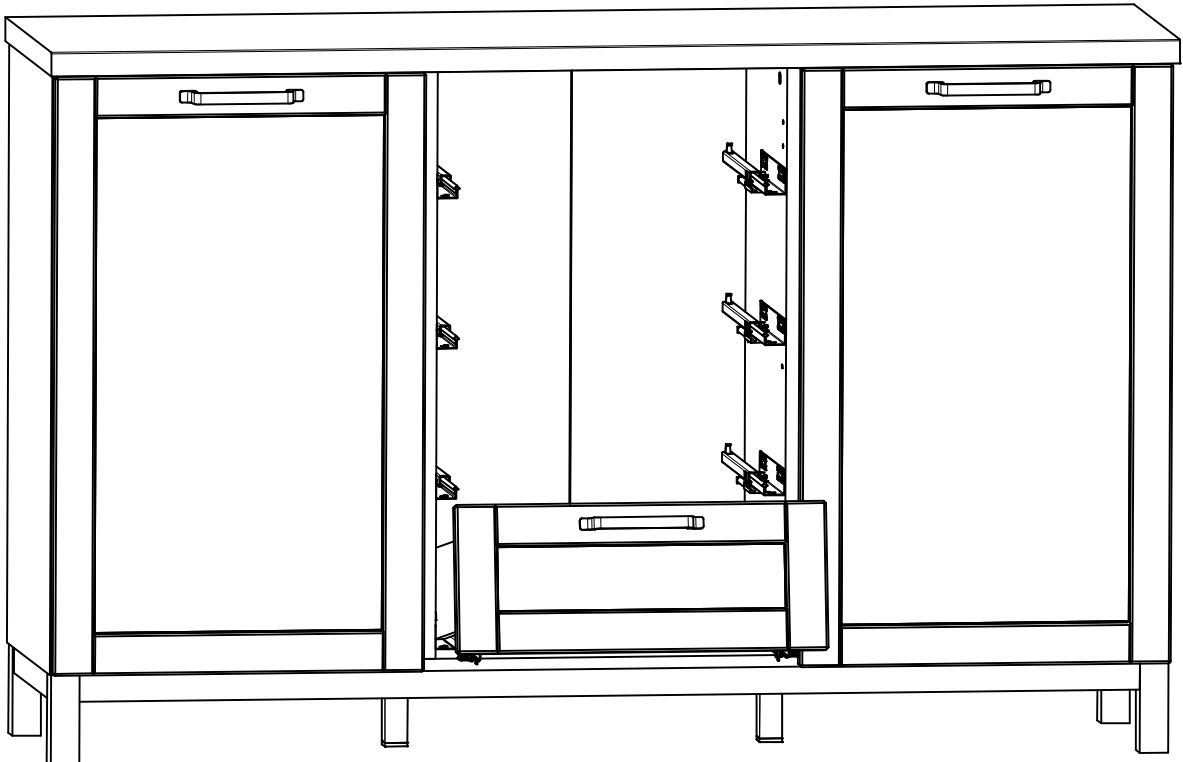




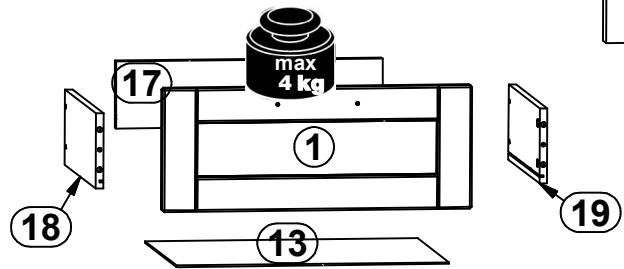
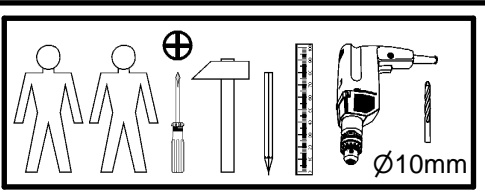
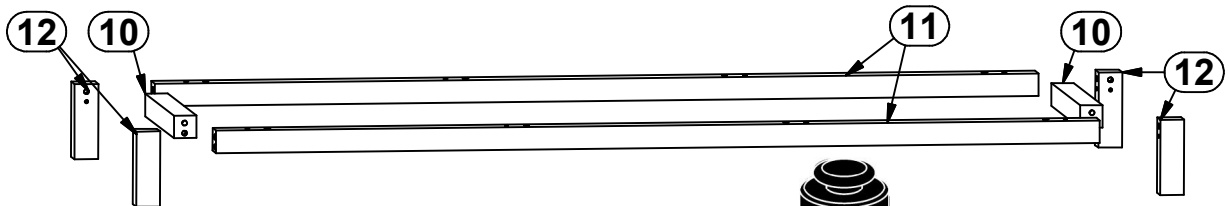
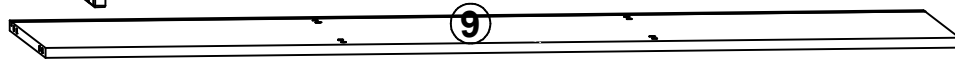
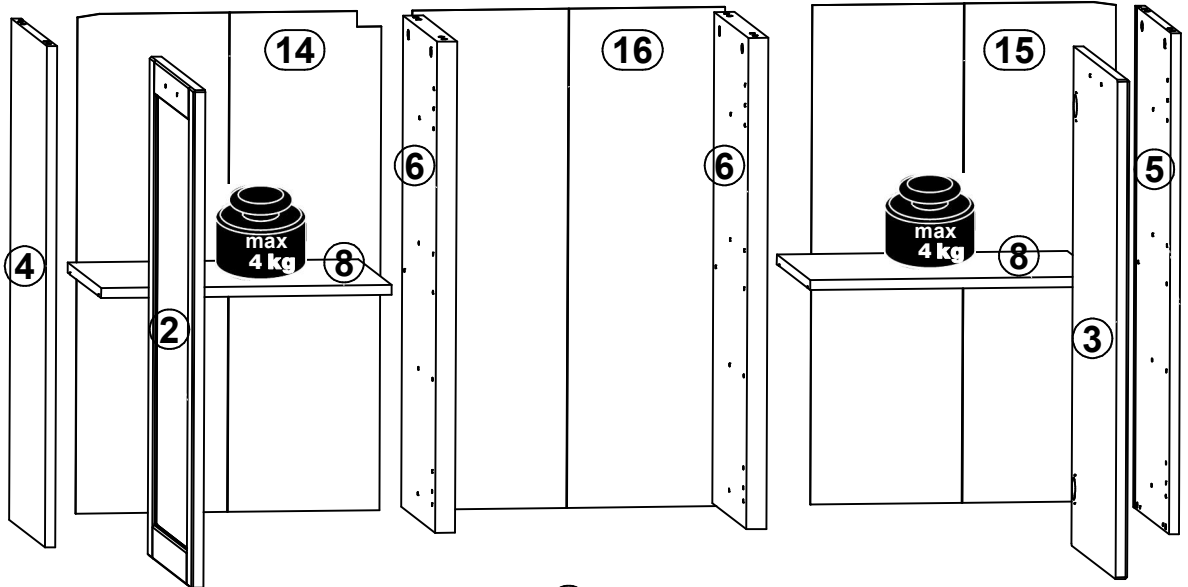
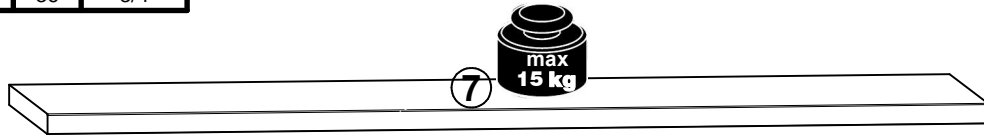
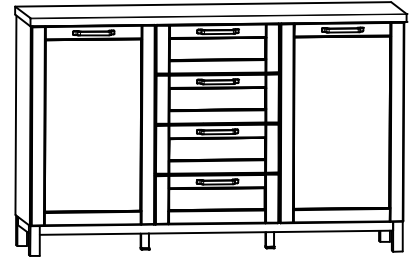
# 7



# 8

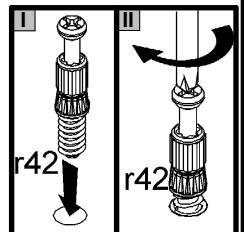
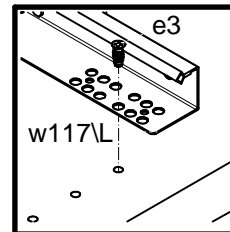
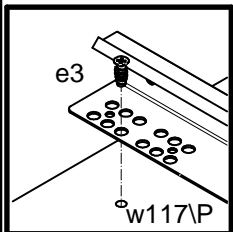
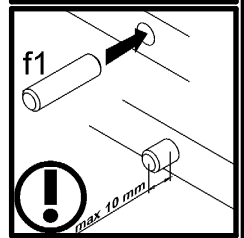
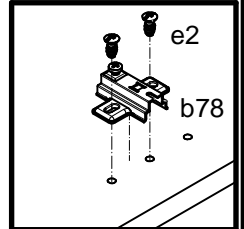
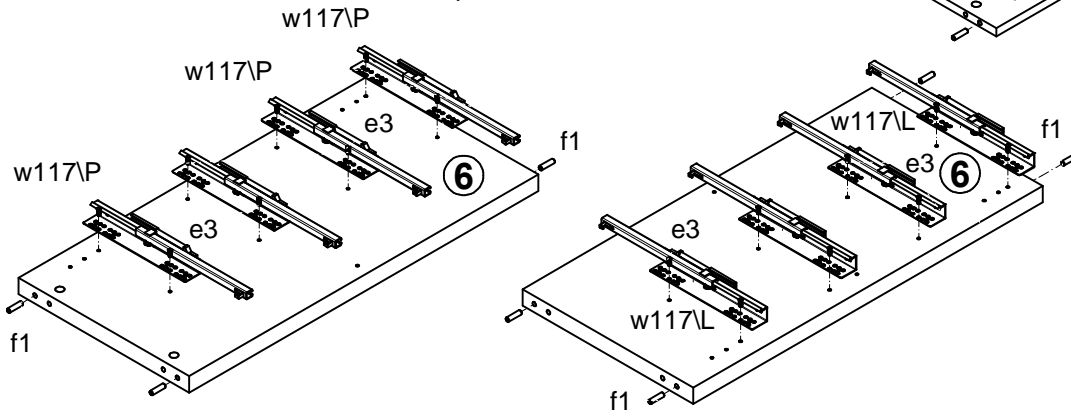
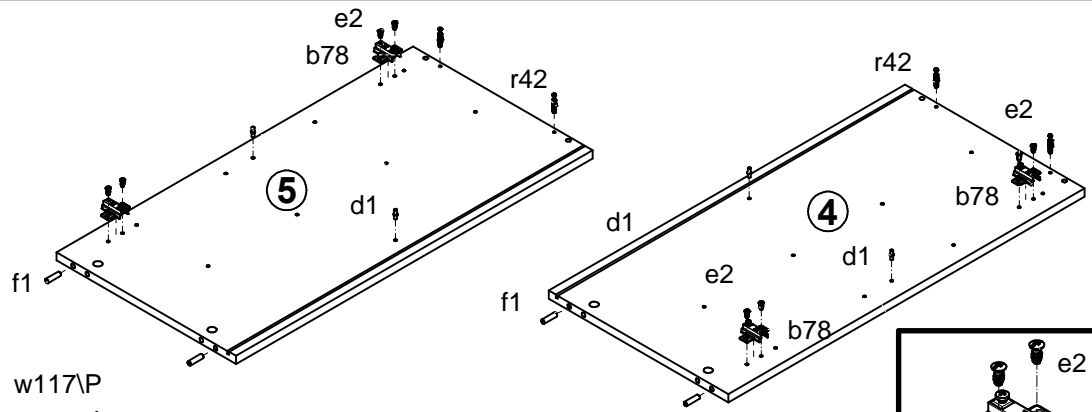


A	B	C	D	A	B	C	D		
1	S369-0003	496	197	4/4	11	S369-4005	1417	40	3/4
2	S369-0006	797	496	4/4	12	S369-5004	120	38	3/4
3	S369-0007	797	496	4/4	13	S369-9002	437	355	4/4
4	S369-1006	800	403	1/4	14	S369-9302	797	487	1/4
5	S369-1007	800	403	1/4	15	S369-9303	797	487	1/4
6	S369-1008	784	383	1/4	16	S369-9306	797	501	1/4
7	S369-2004	1508	432	2/4	17	ZQ5-505	427	107	4/4
8	S369-3003	466	377	4/4	18	ZQ5-501	350	120	4/4
9	S369-3006	1465	403	2/4	19	ZQ5-502	350	120	4/4
10	S369-4002	323	36	3/4					

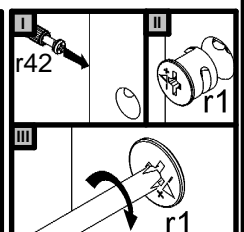
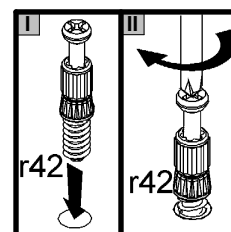
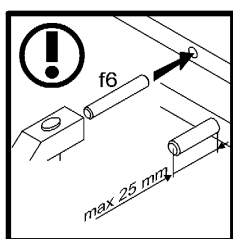
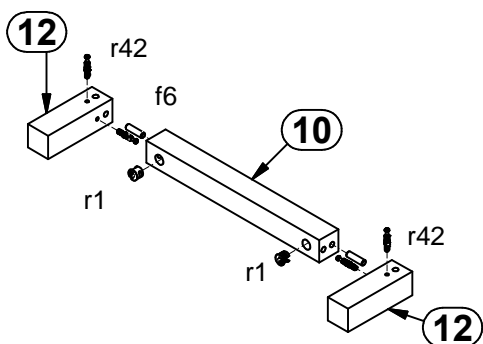
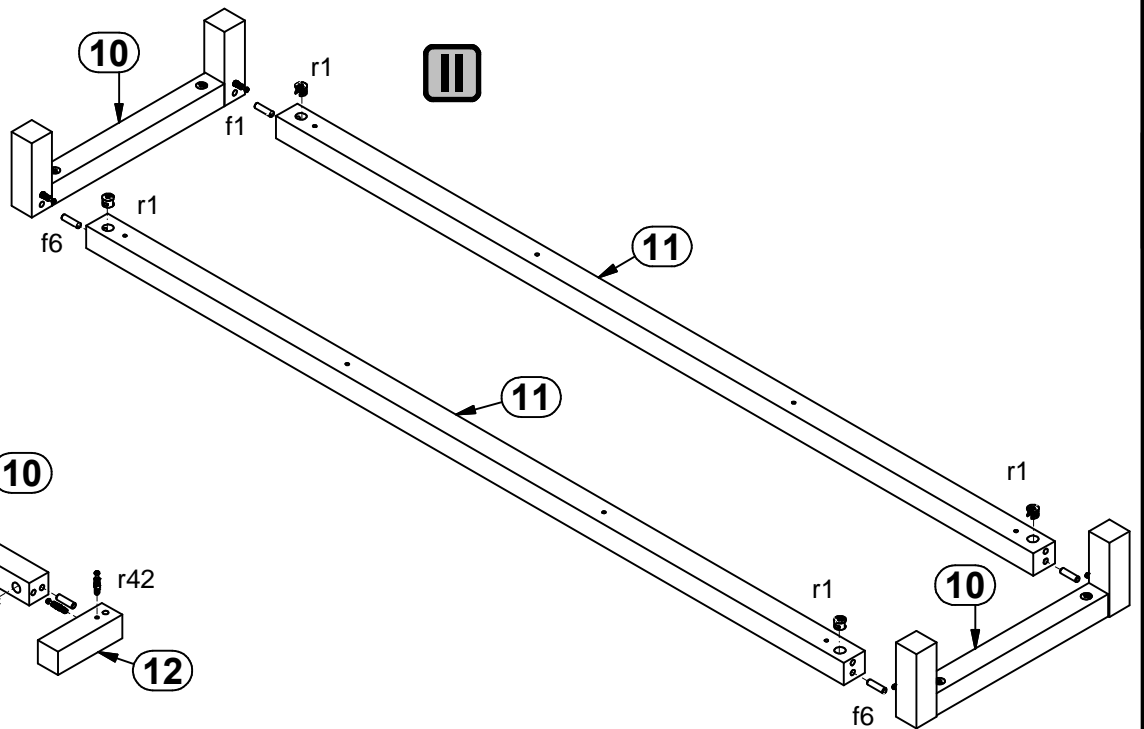


2x a133	4x a158	4x b78	6x c454	8x d1	4x e1	10x e2	16x e3	8x p12
24x f1	16x f25	1x f35	8x f9	12x j11	2x k38i3	2x k38i7	10x l2	8x n108
1x n14i2	1x p17	26x p38	8x p51	8x p55	20x r1	16x r15	36x r42	4x 350 mm W117/L
4x 350 mm W117/P	8x f6	8x s68	1x z1					

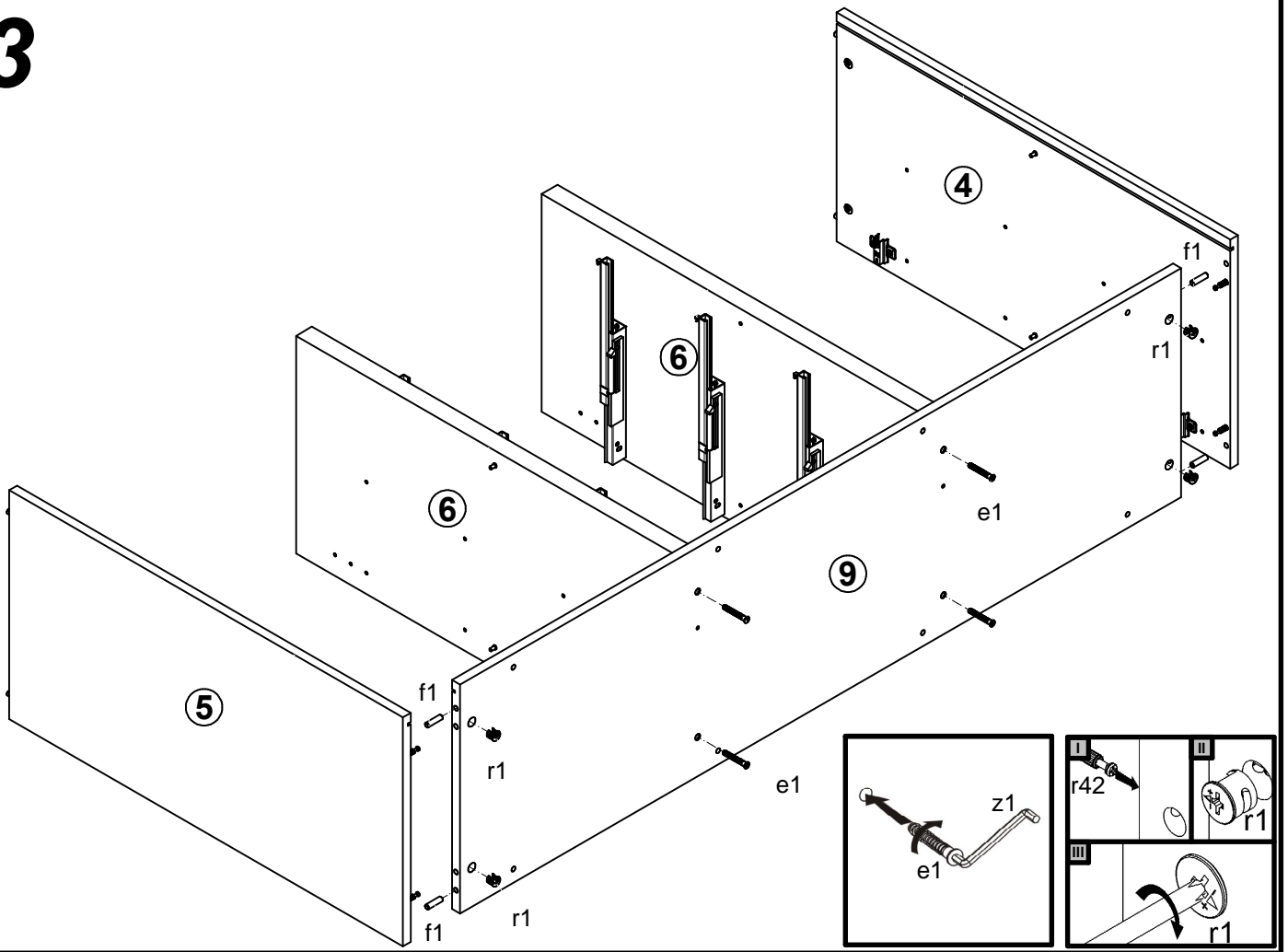
# 1



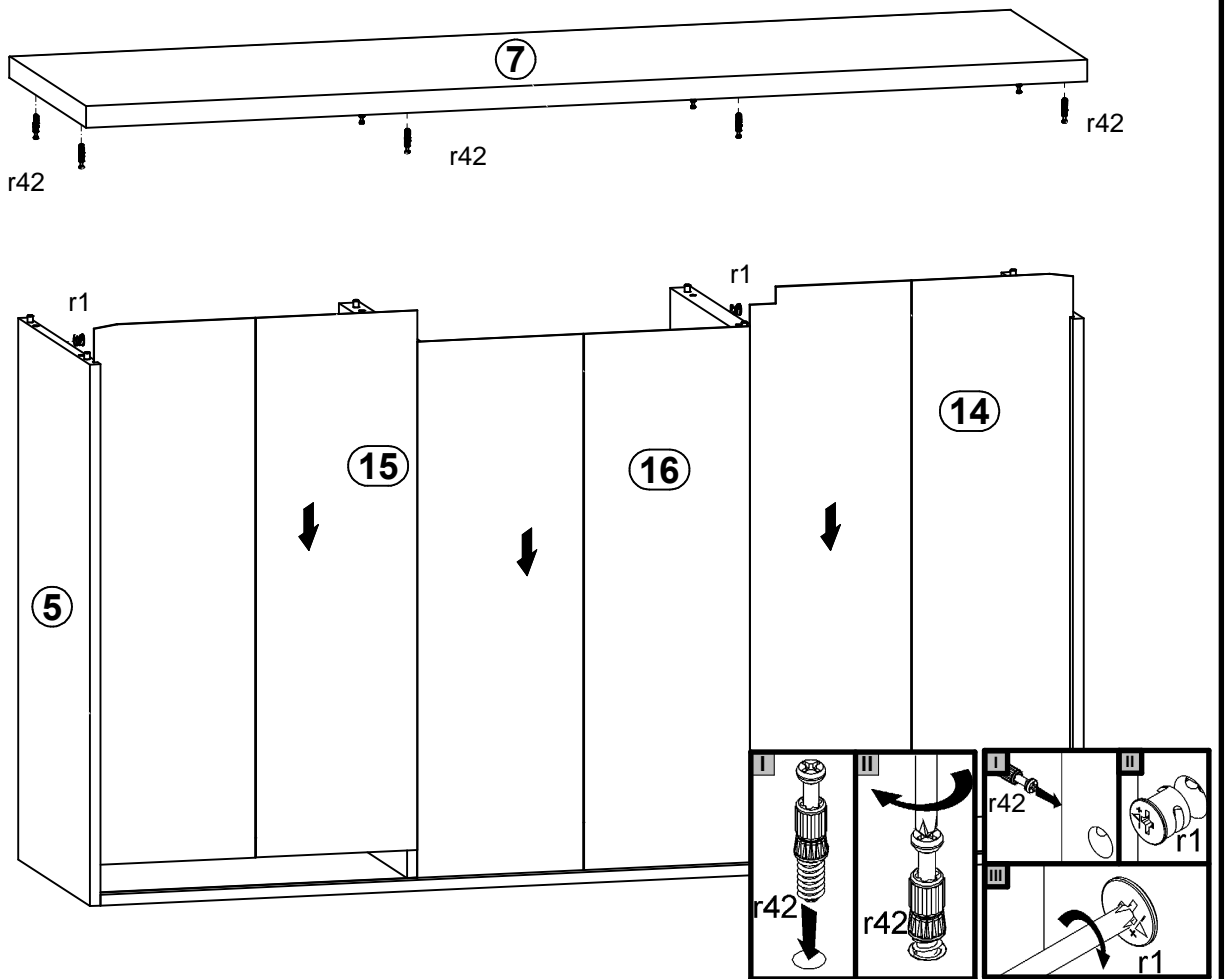
# 2



# 3



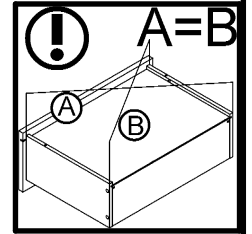
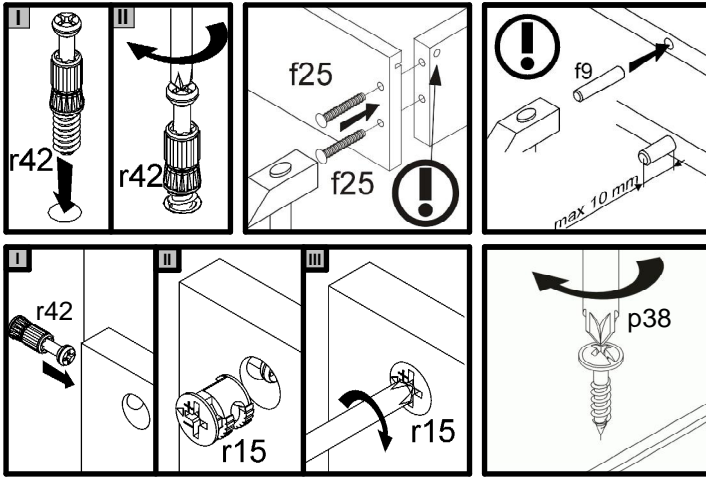
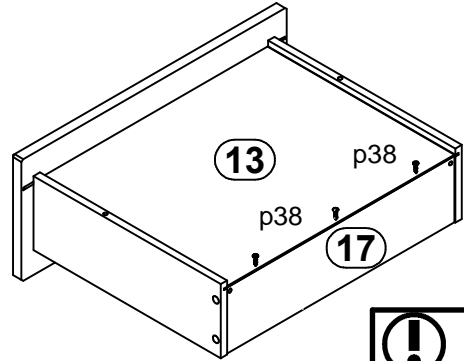
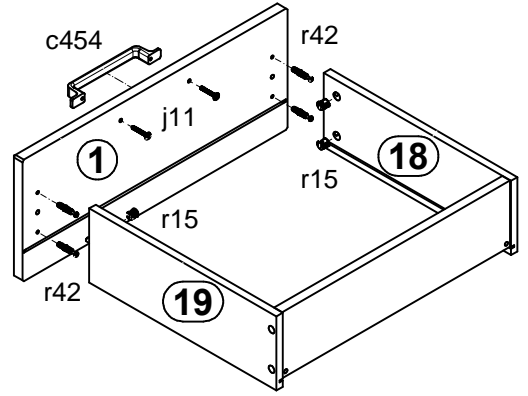
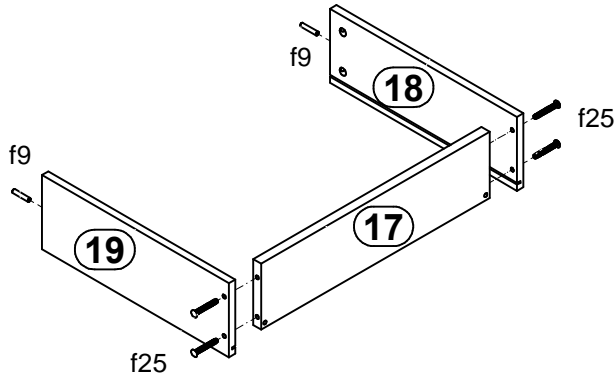
# 4







# 7



# 8

