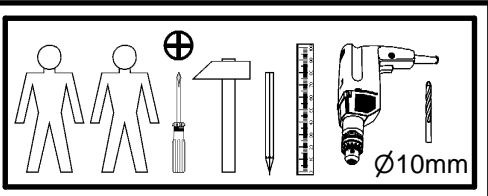
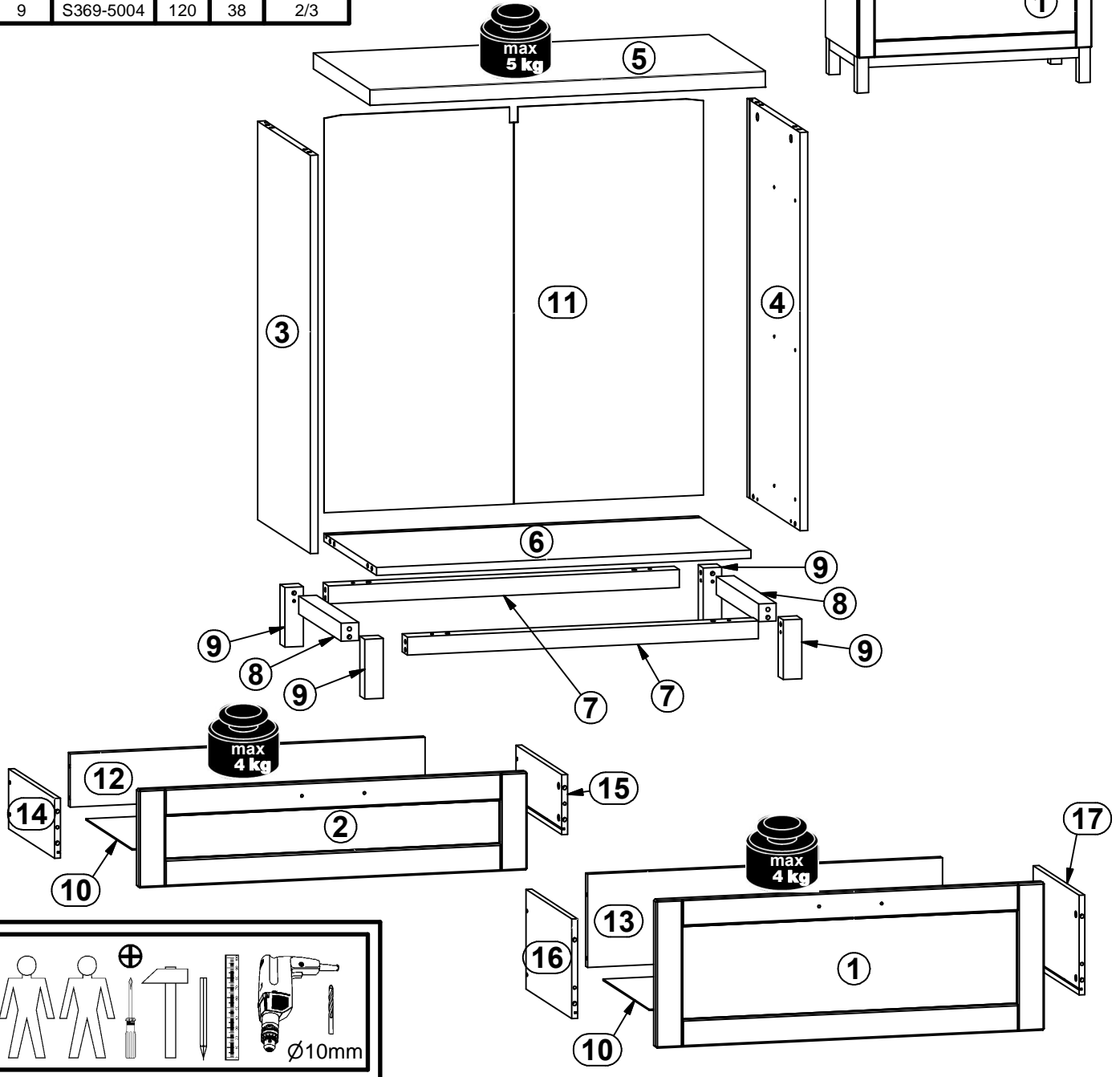
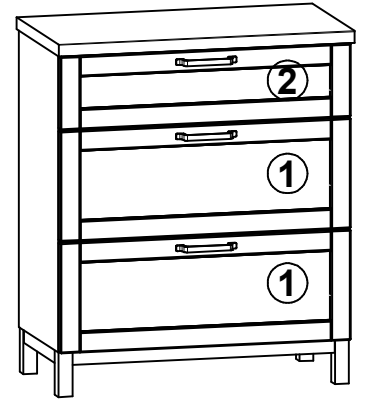
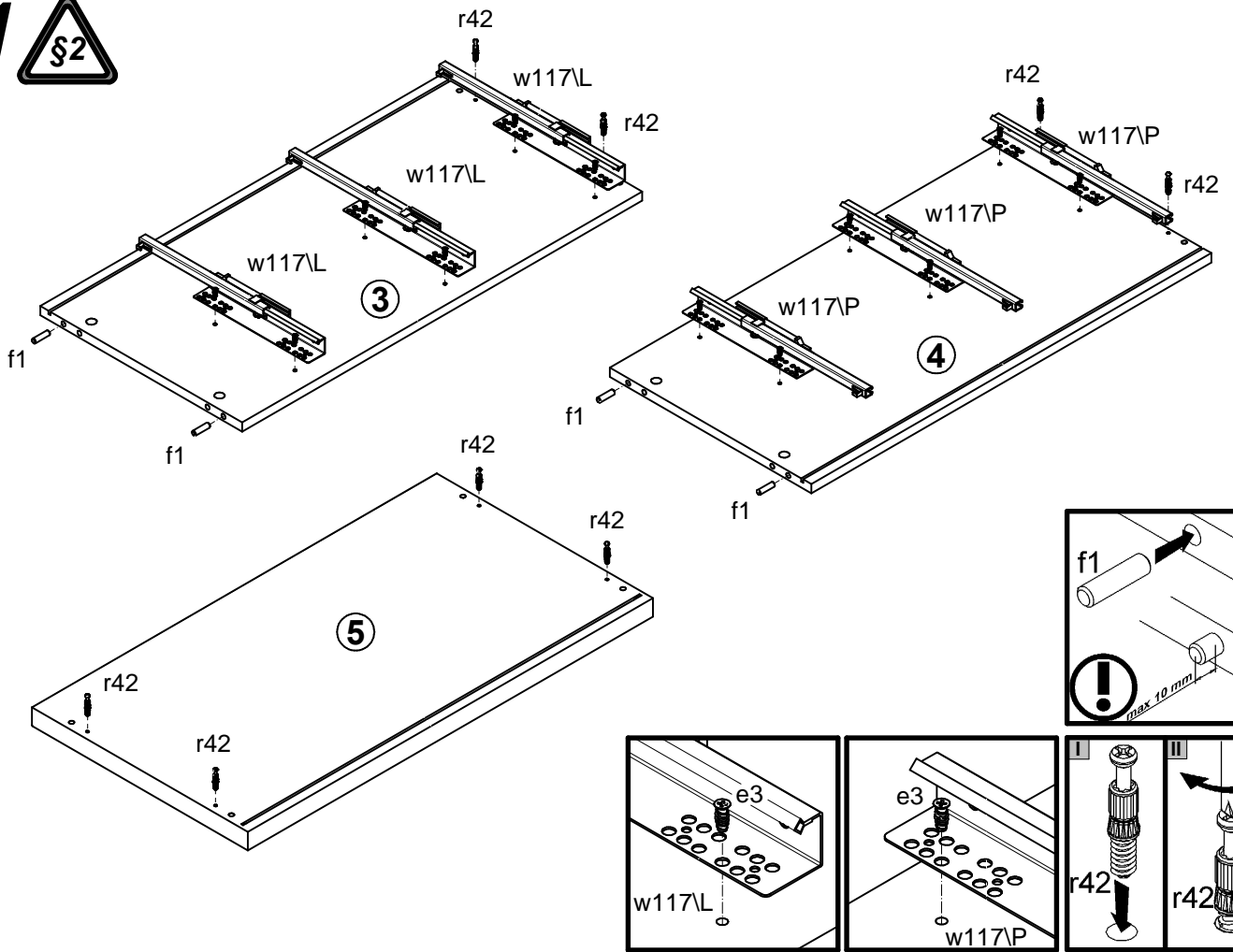


A	B	C	D	A	B	C	D		
1	S369-0001	796	297	3/3	10	S369-9001	737	355	3/3
2	S369-0002	796	197	3/3	11	S369-9301	797	777	1/3
3	S369-1001	800	403	1/3	12	ZQ5-507	727	107	3/3
4	S369-1002	800	403	1/3	13	ZQ5-508	727	187	3/3
5	S369-2001	810	432	1/3	14	ZQ5-501	350	120	3/3
6	S369-3001	767	403	1/3	15	ZQ5-502	350	120	3/3
7	S369-4001	719	40	2/3	16	ZQ5-503	350	200	3/3
8	S369-4002	323	36	2/3	17	ZQ5-504	350	200	3/3
9	S369-5004	120	38	2/3					

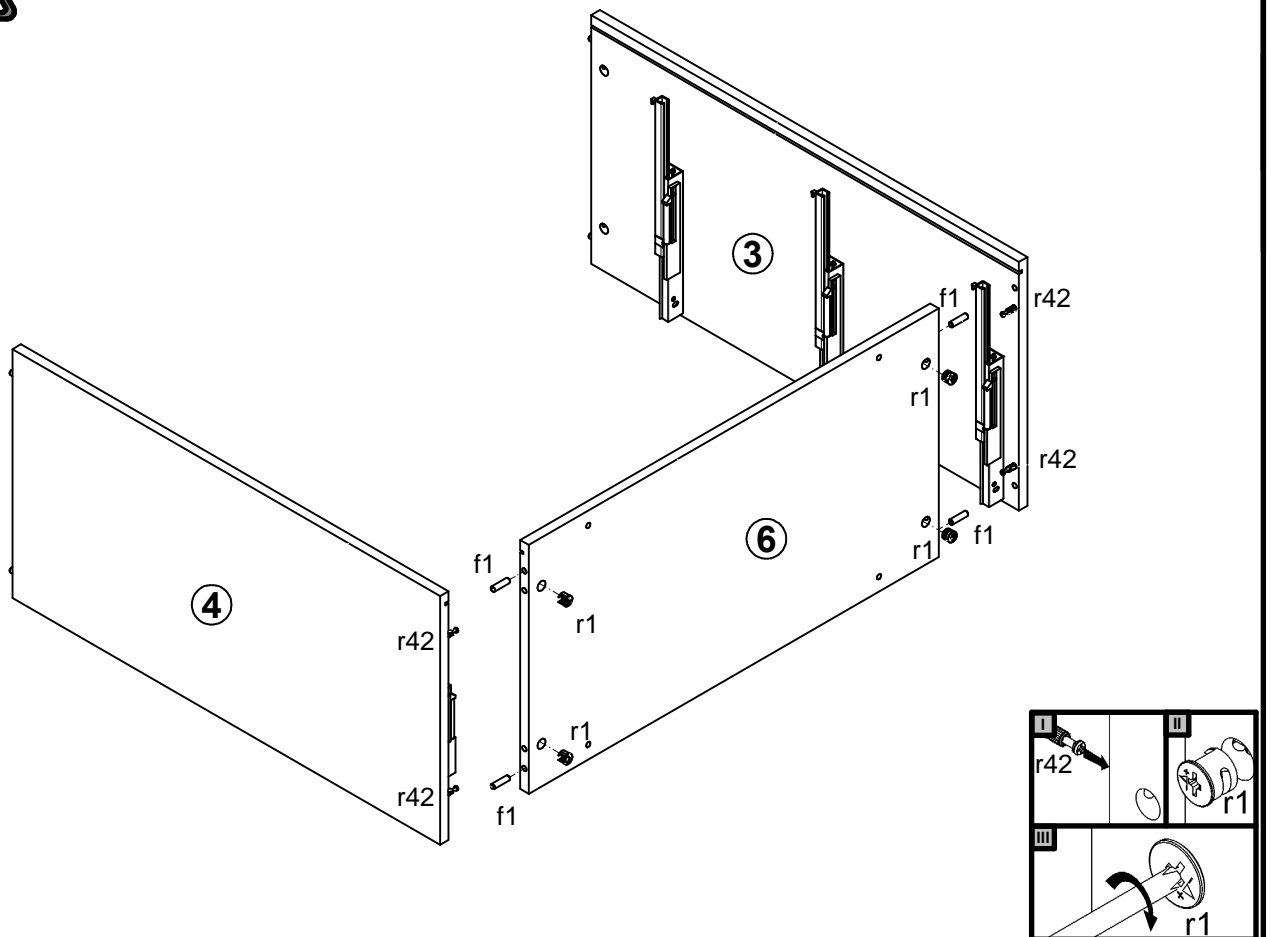


3x 128mm c454	12x Ø6x13 mm e3	4x Ø4x50 mm p12	12x Ø8x30 mm f1	12x Ø6.5x40 mm f25	6x Ø6x30 mm f9	6x M4x28 mm j11	10x l2	3x Ø3.5x16 mm p25
3x Ø3.5x10 mm p35	18x Ø3.5x16 mm p38	16x Ø15x12 mm #16 r1	12x Ø12x10.5 mm #12 r15	28x 20x11 r42	3x 350 mm t35	3x 350 mm W117/L	3x 350 mm W117/P	1x 80x21x15/1.5 n14/2
1x Ø5x60 mm p17	1x Ø10x50 mm f35	2x Ø3.5x16 mm p38	8x Ø8x50 mm f6					

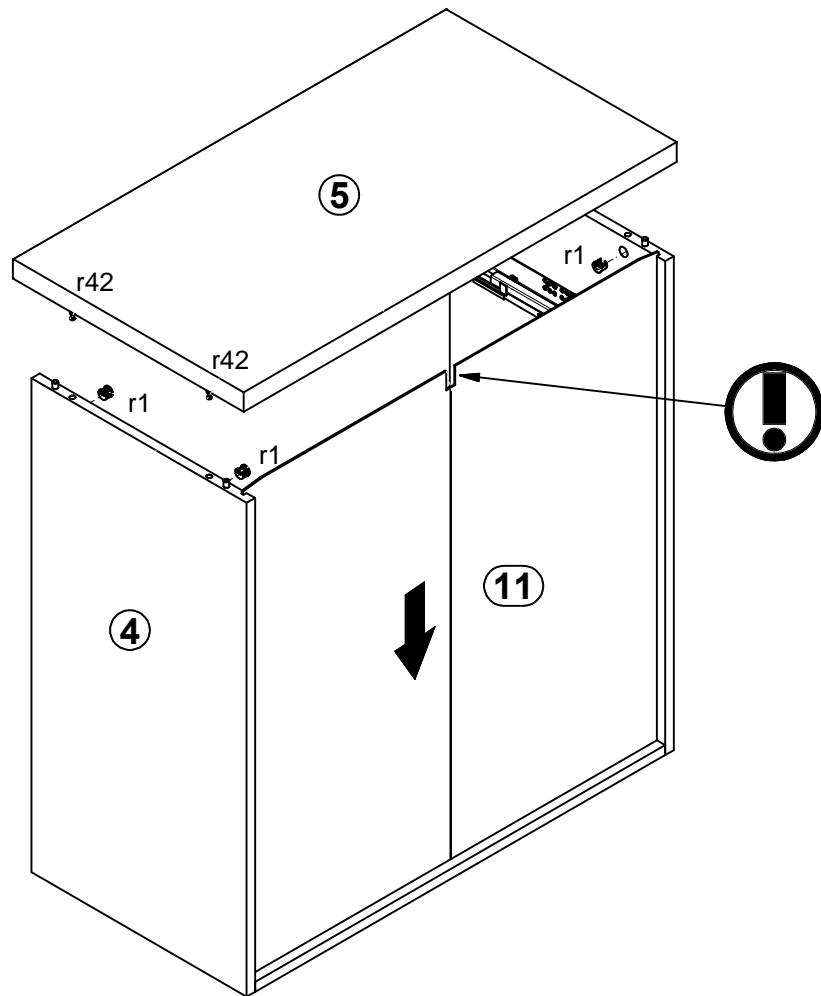
1



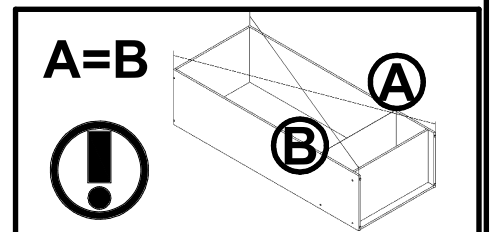
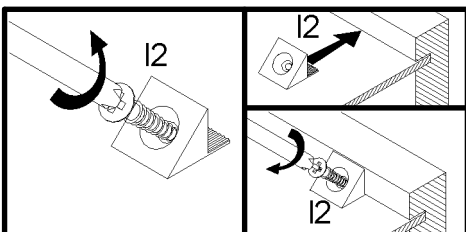
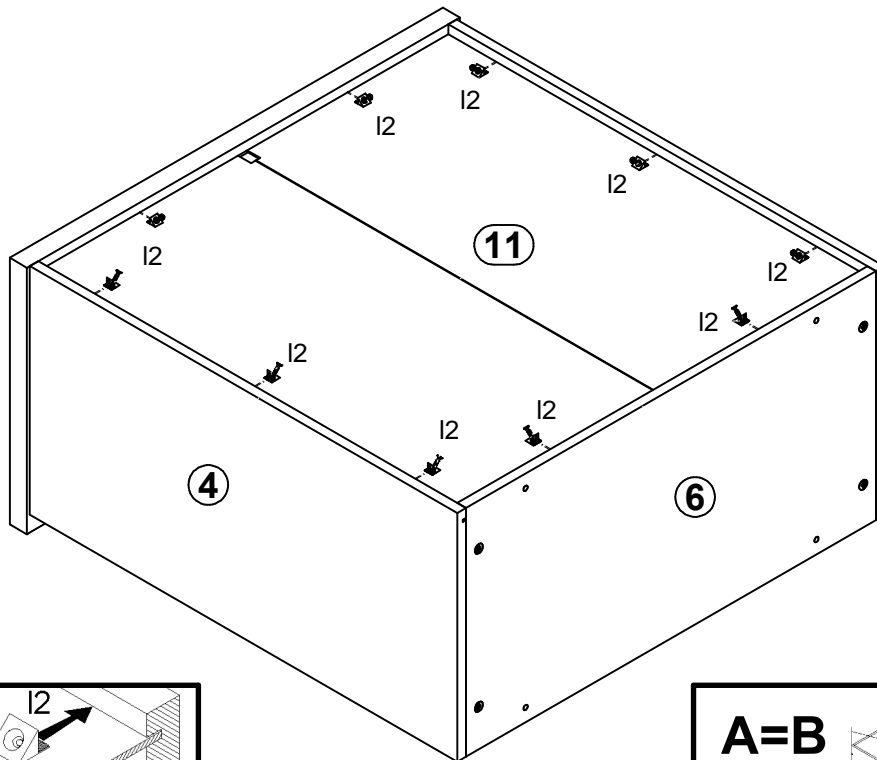
2



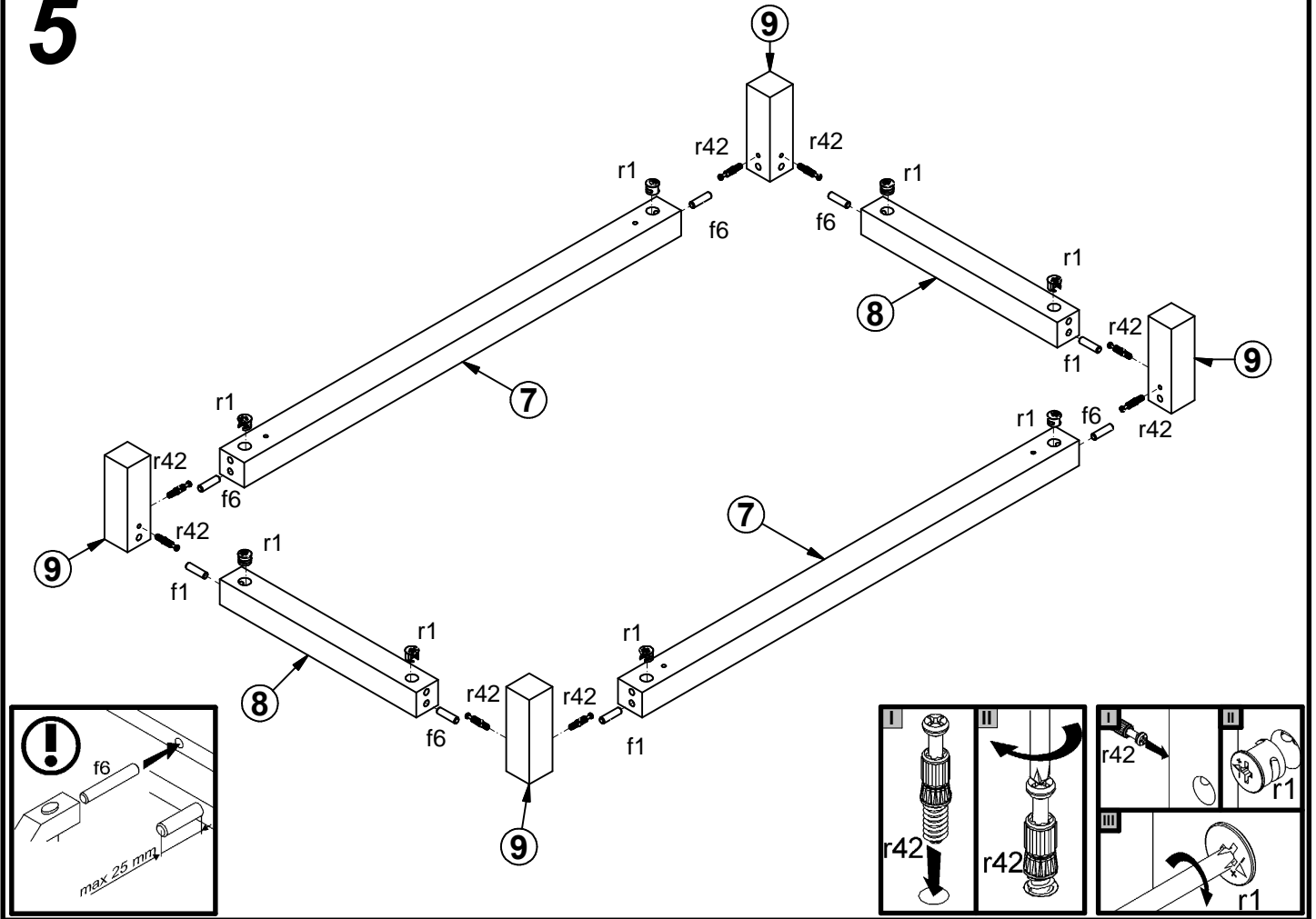
3



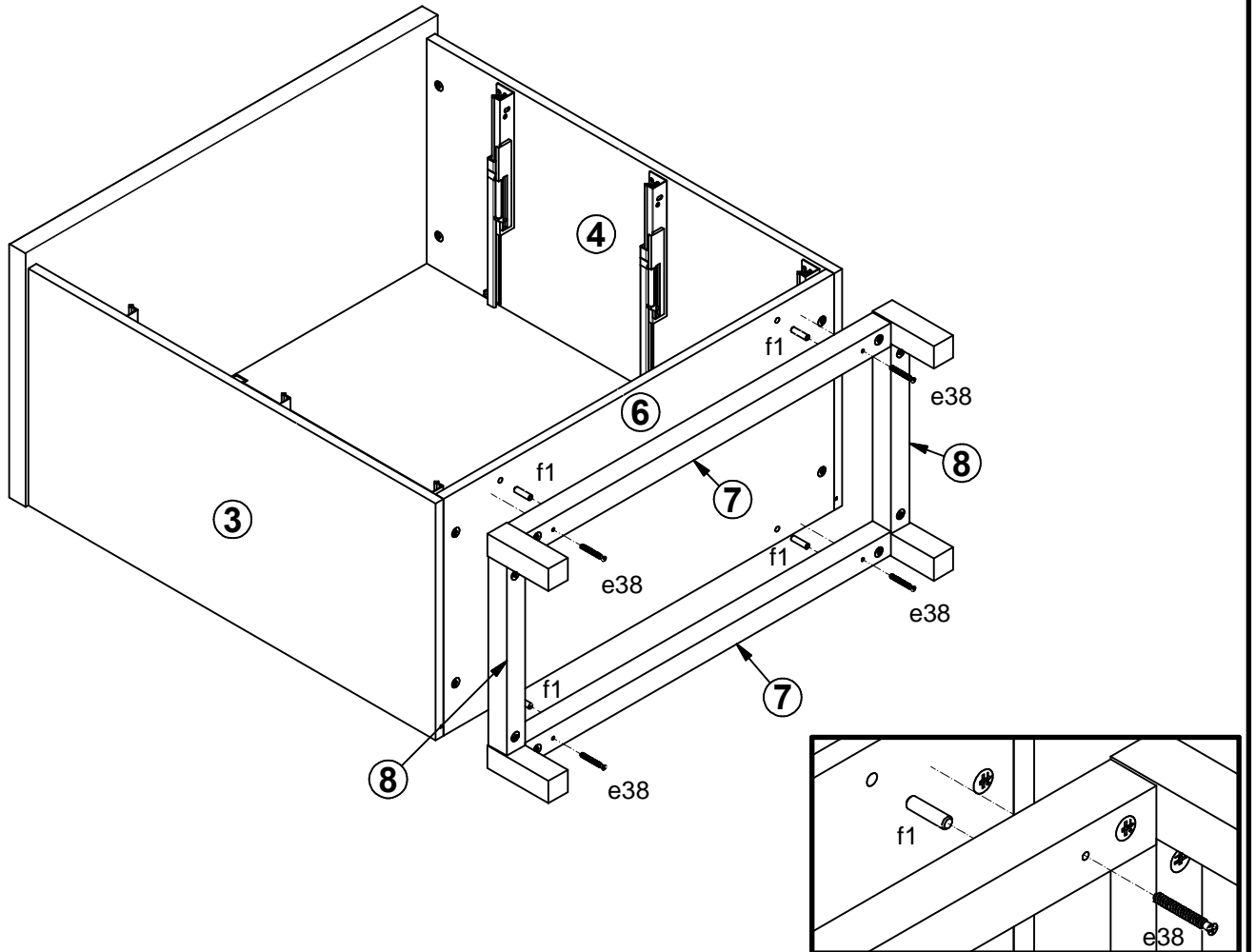
4



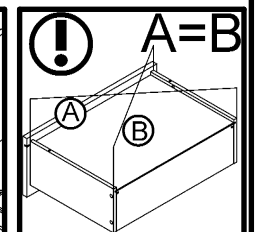
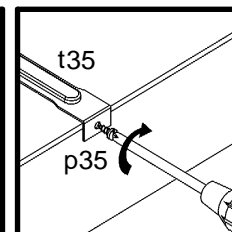
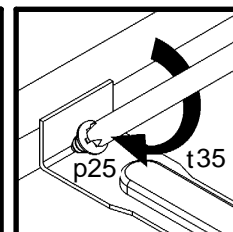
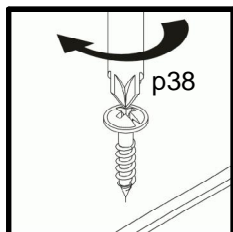
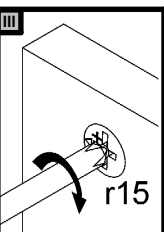
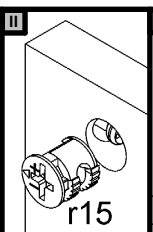
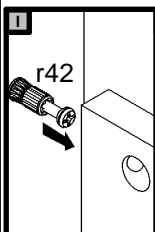
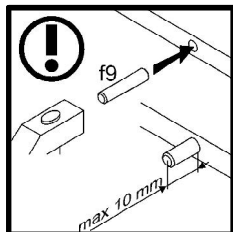
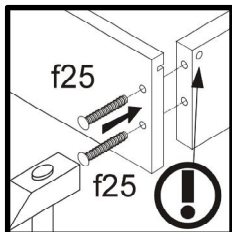
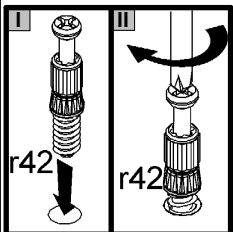
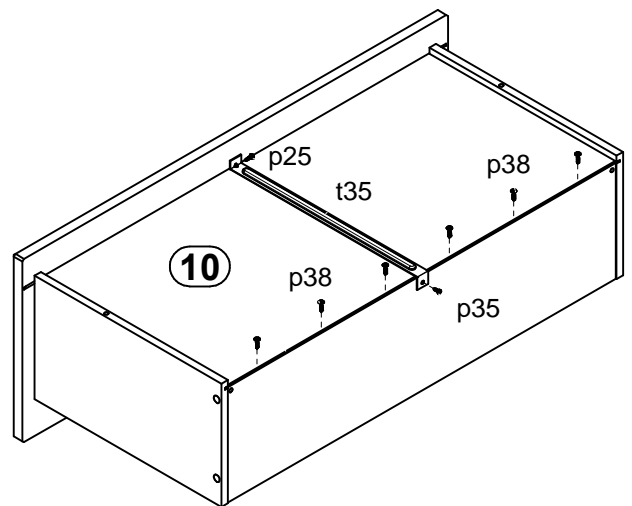
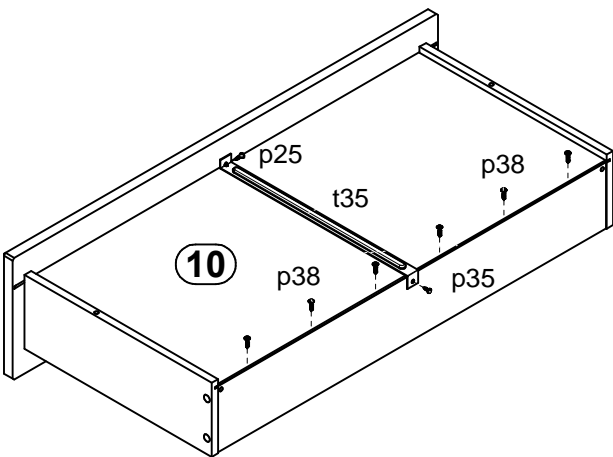
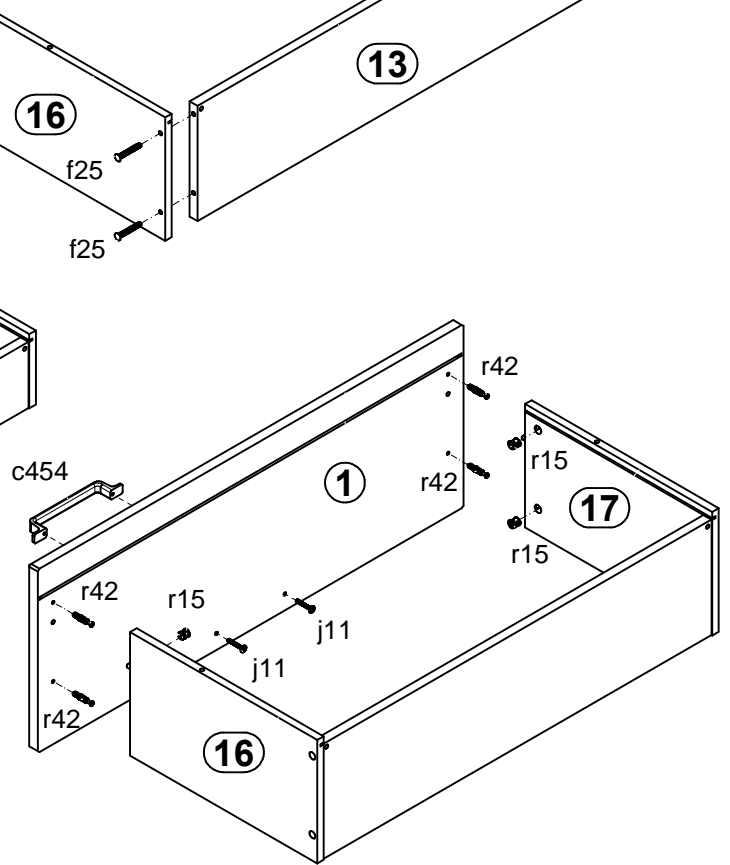
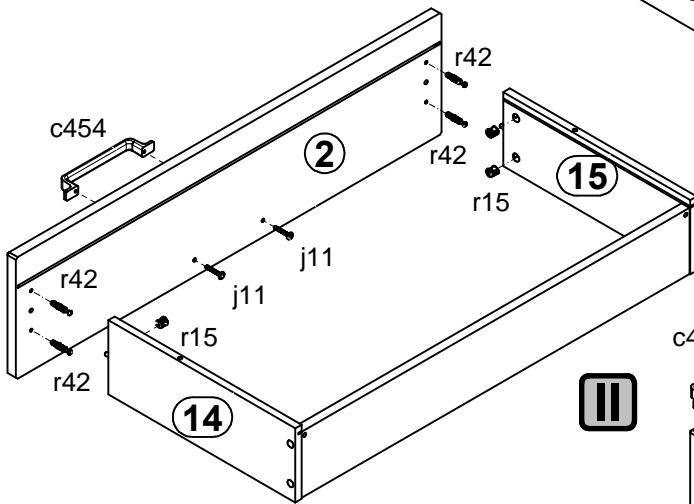
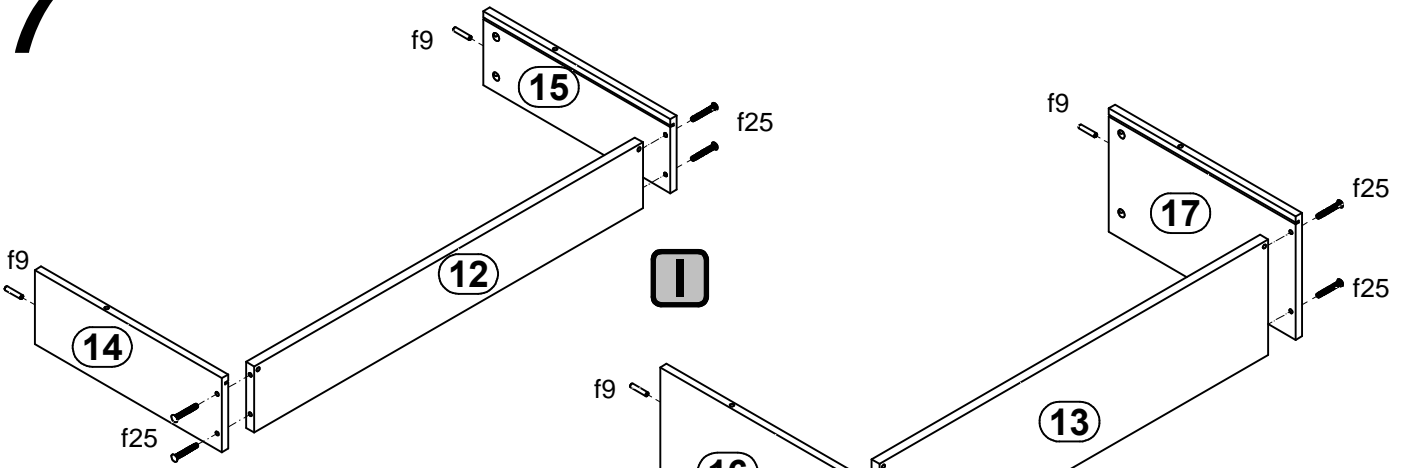
5



6



7



8

