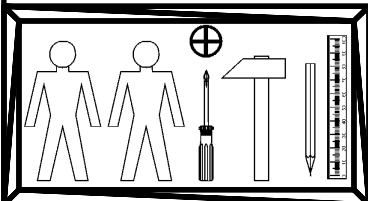
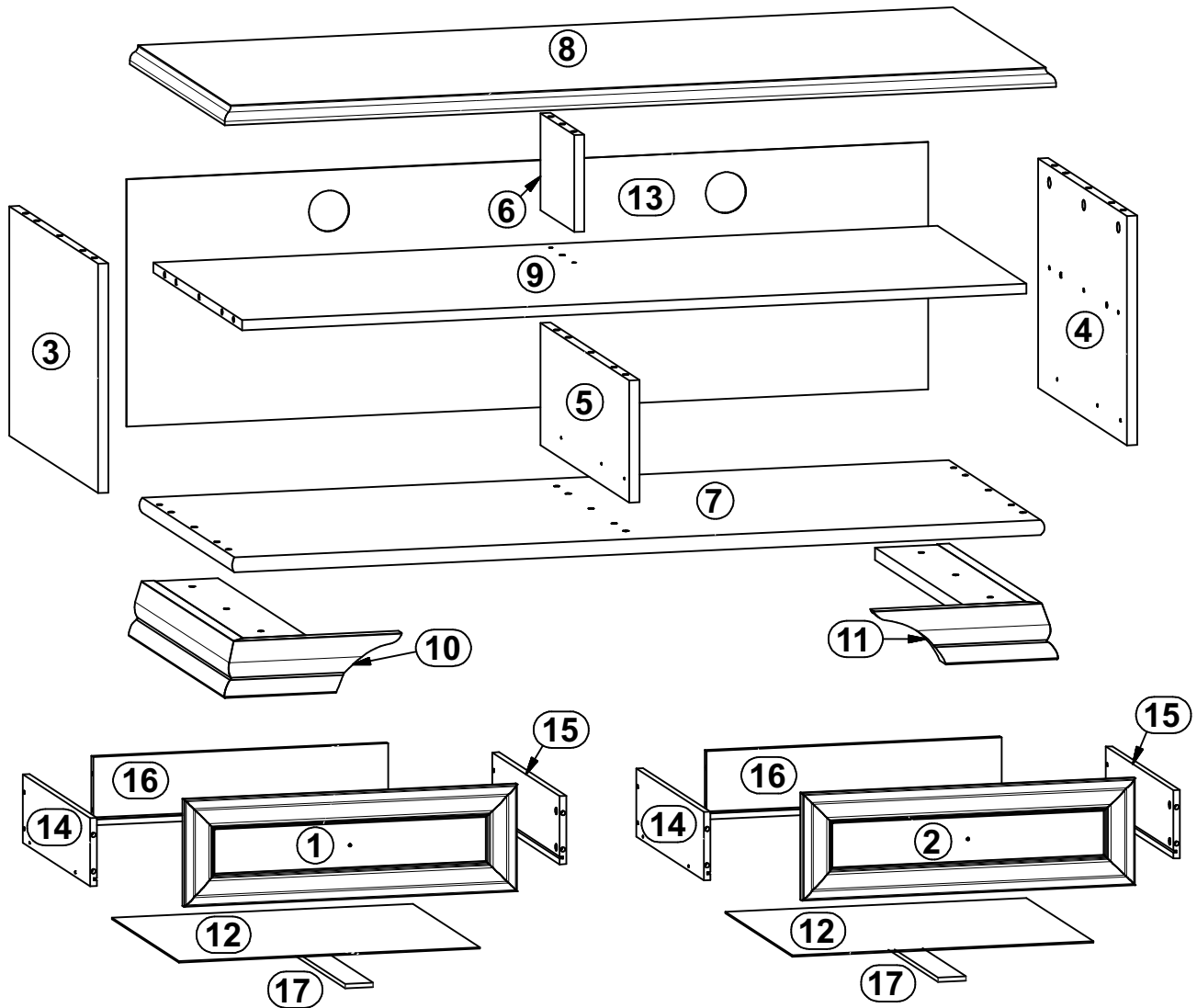
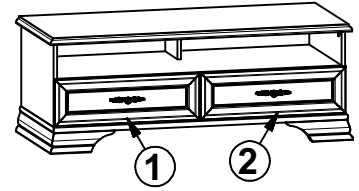
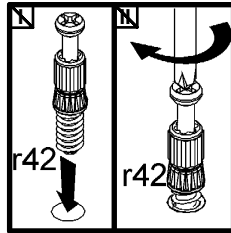
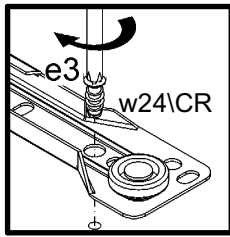
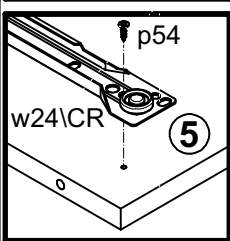
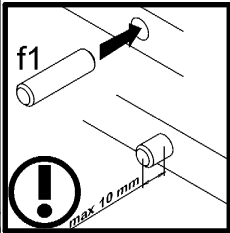
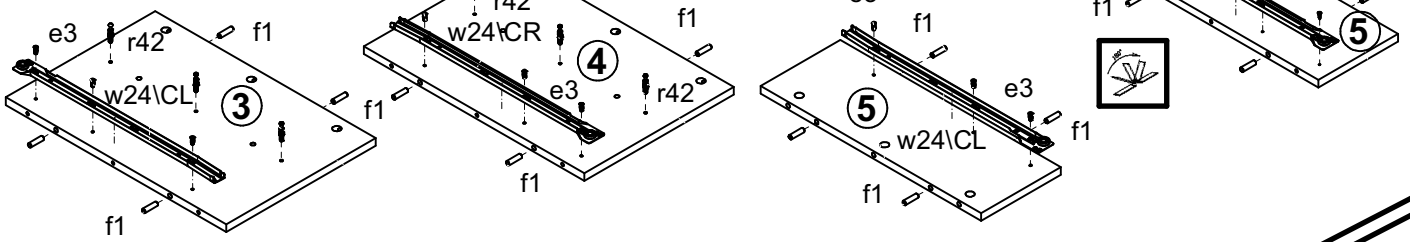


A	B	C	D	A	B	C	D		
1	S320-013	596	188	4/4	9	S320-312	1168	495	2/4
2	S320-014	596	188	4/4	10	S320-519	533	270	3/4
3	S320-117	336	495	1/4	11	S320-520	533	270	3/4
4	S320-118	336	495	1/4	12	S320-912	534	448	1/4
5	S320-119	178	495	1/4	13	S320-913	1196	362	2/4
6	S320-120	141	188	1/4	14	S320-573	450	120	1/4
7	S320-214-01	1212	517	2/4	15	S320-574	450	120	1/4
8	S320-215	1240	528	2/4	16	S320-5549	519	120	1/4
					17	S320-5550	433	60	1/4

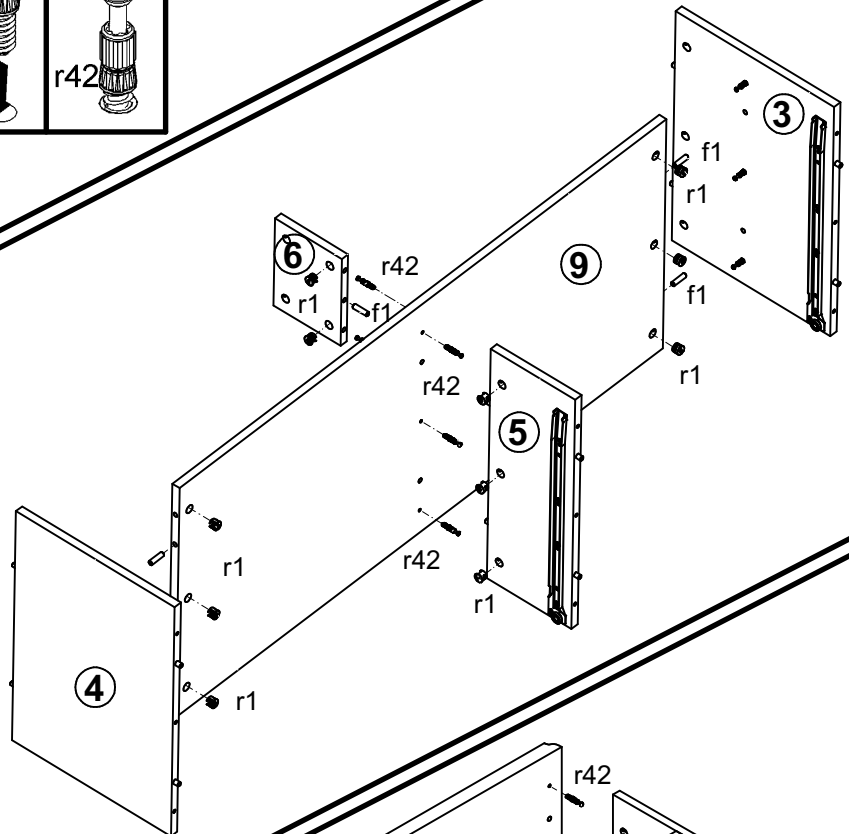
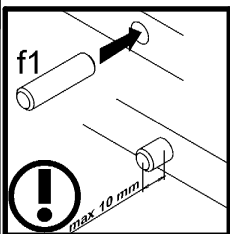
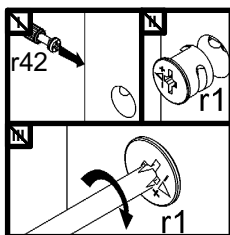
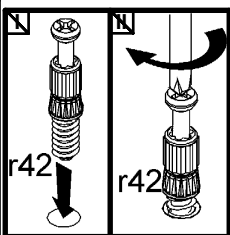


9x φ7x60 mm e8	8x φ5x9 mm e19	10x φ7x35 mm e26	9x φ6x13 mm e3	22x φ8x30 mm f1	45x l1	3x φ3x12 mm p54	27x φ1.5x12mm #16 r1	2x φ12x10.5mm #12 r15
29x r42	8x φ7x50 mm e1	2x M4x14 mm j29	1x z1	2x c35/1	2x c35/2	18x ø16 s2	2x 450 mm w24\CL	2x 450 mm w24\CR
2x 450 mm w24\DL	2x 450 mm w24\DR	1шт. φ5x60 mm p17	1x n26	1шт. φ10x50 mm f35	1x φ3.5x16 mm p38			

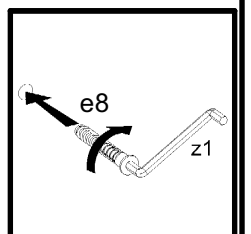
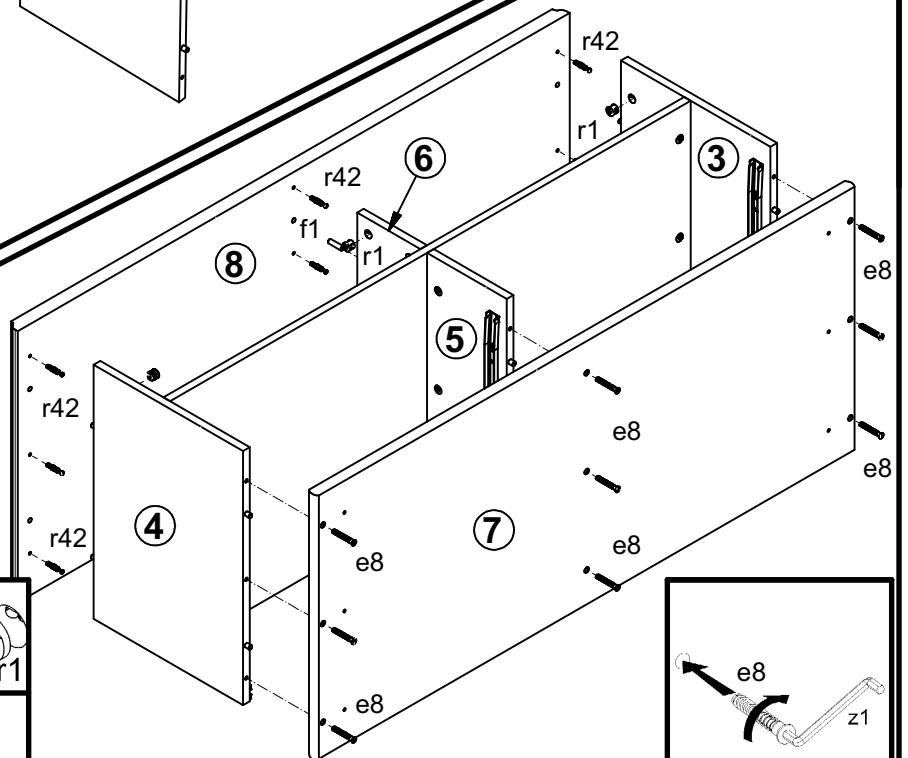
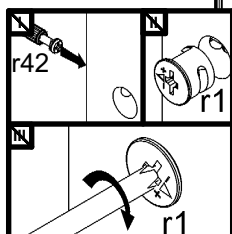
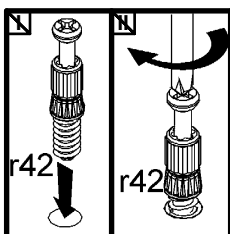
# 1



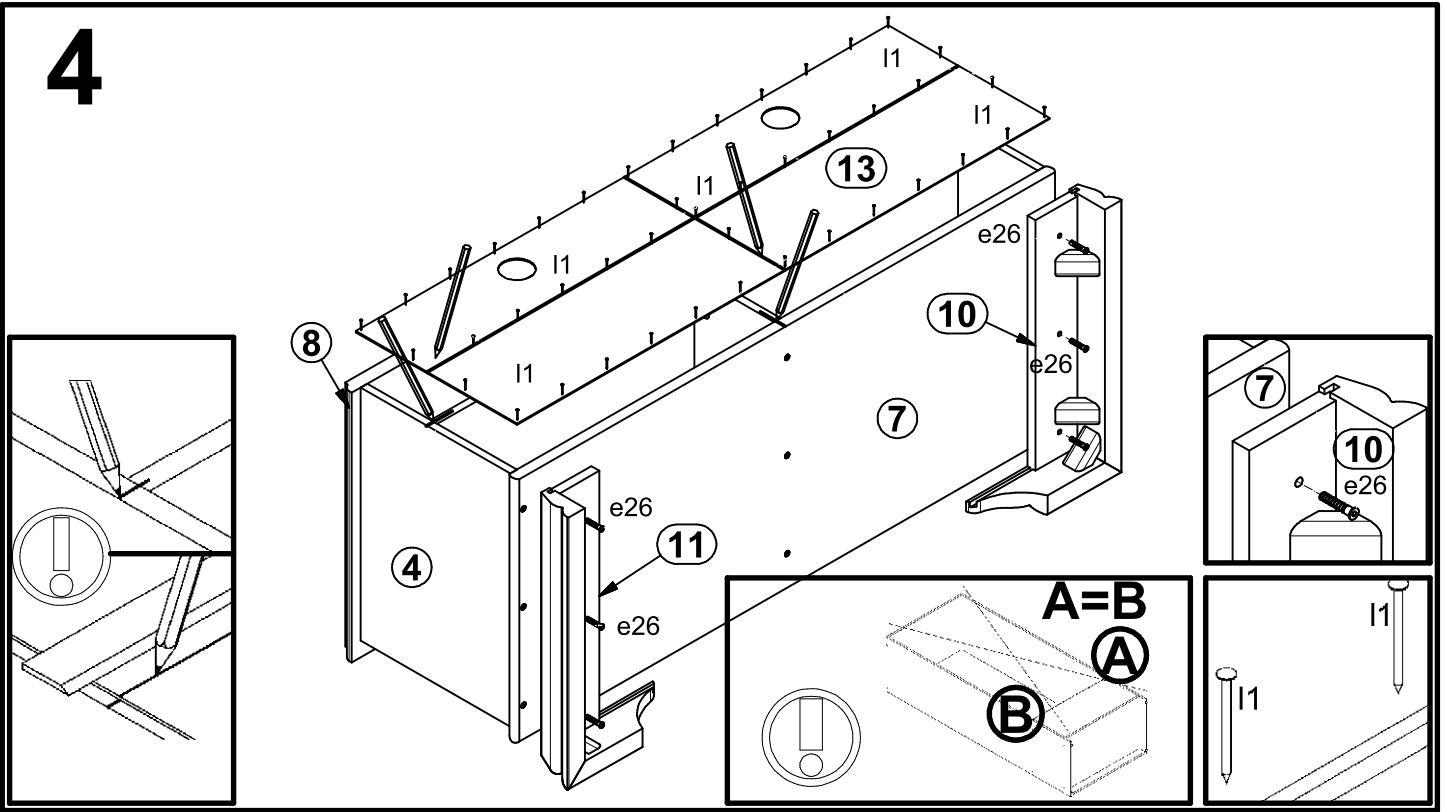
# 2



# 3



# 4



# 5

