

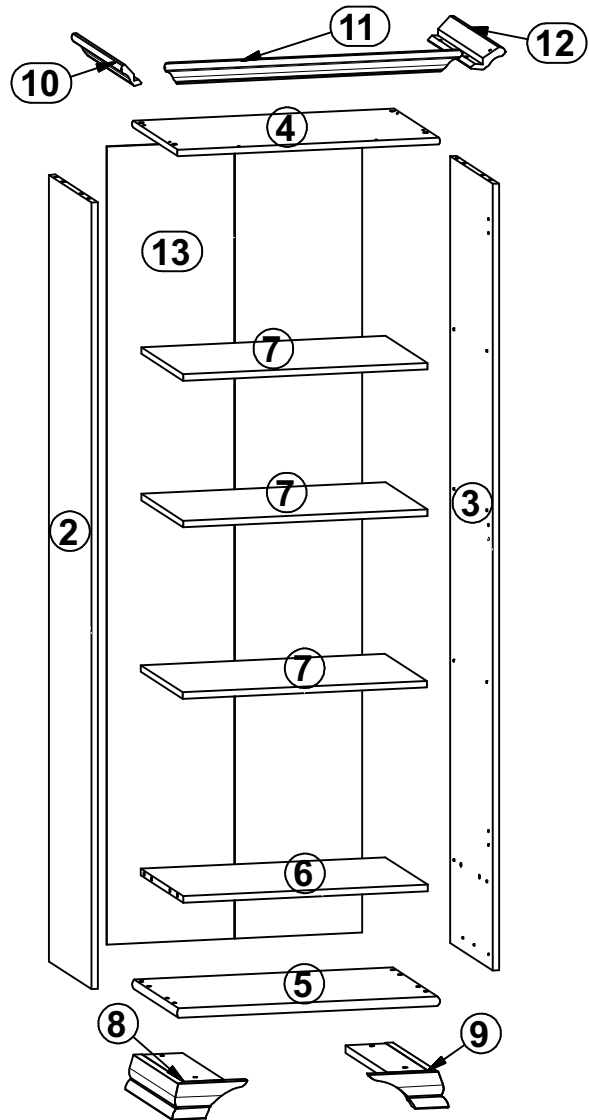
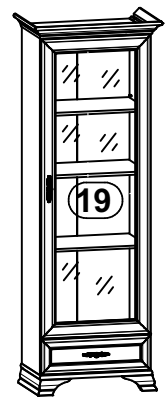
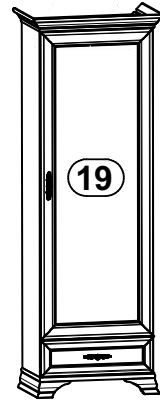
KENTAKI

IDENTO

A	B	C	D
1	S320-006	596	188
2	S320-107	1800	370
3	S320-108	1800	370
4	S320-205	612	392
5	S320-206	612	392
6	S320-303	568	370
7	S320-304	567	366
8	S320-507	408	180
9	S320-508	408	180
10	S320-509	433	80
11	S320-510	694	80
12	S320-511	433	80
13	S320-906	1826	595
14	S320-907	526	348
15	S320-561	350	120
16	S320-562	350	120
17	S320-5541	511	120
18	S320-5542	333	60



S320-REG1D1S S320-REG1W1S

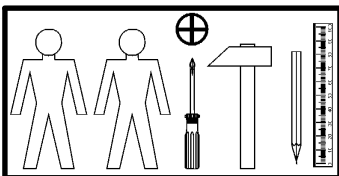
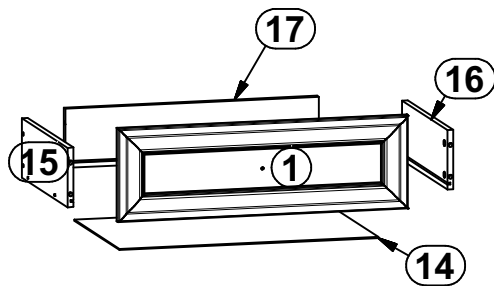


S320-REG1D1S

A	B	C	D
19	S320-005	1600	596

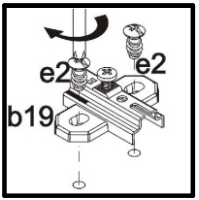
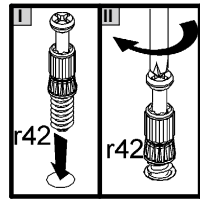
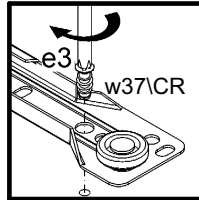
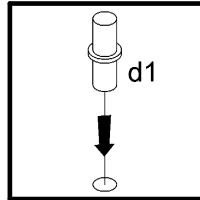
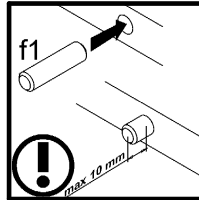
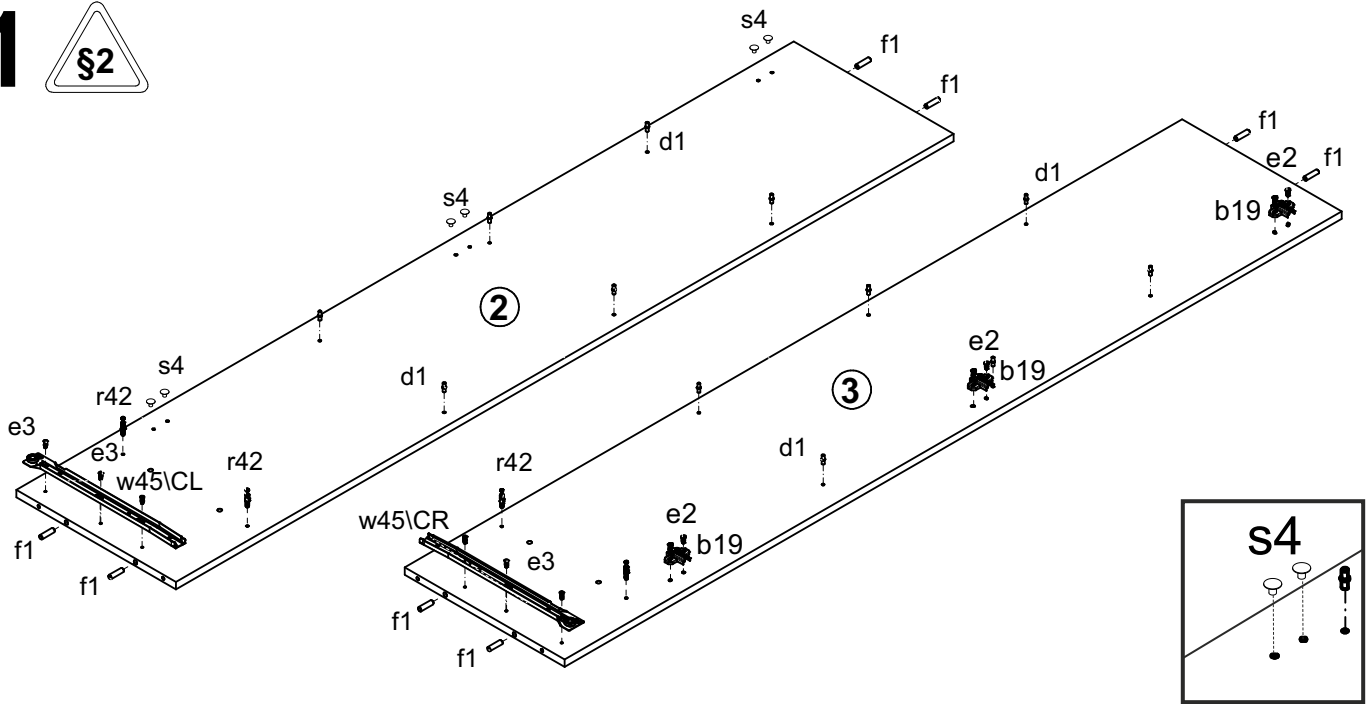
S320-REG1W1S

A	B	C	D
19	S320-024	1600	596

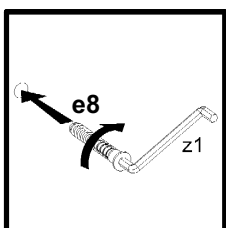
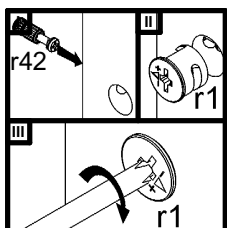
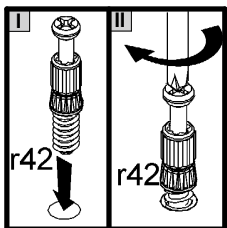
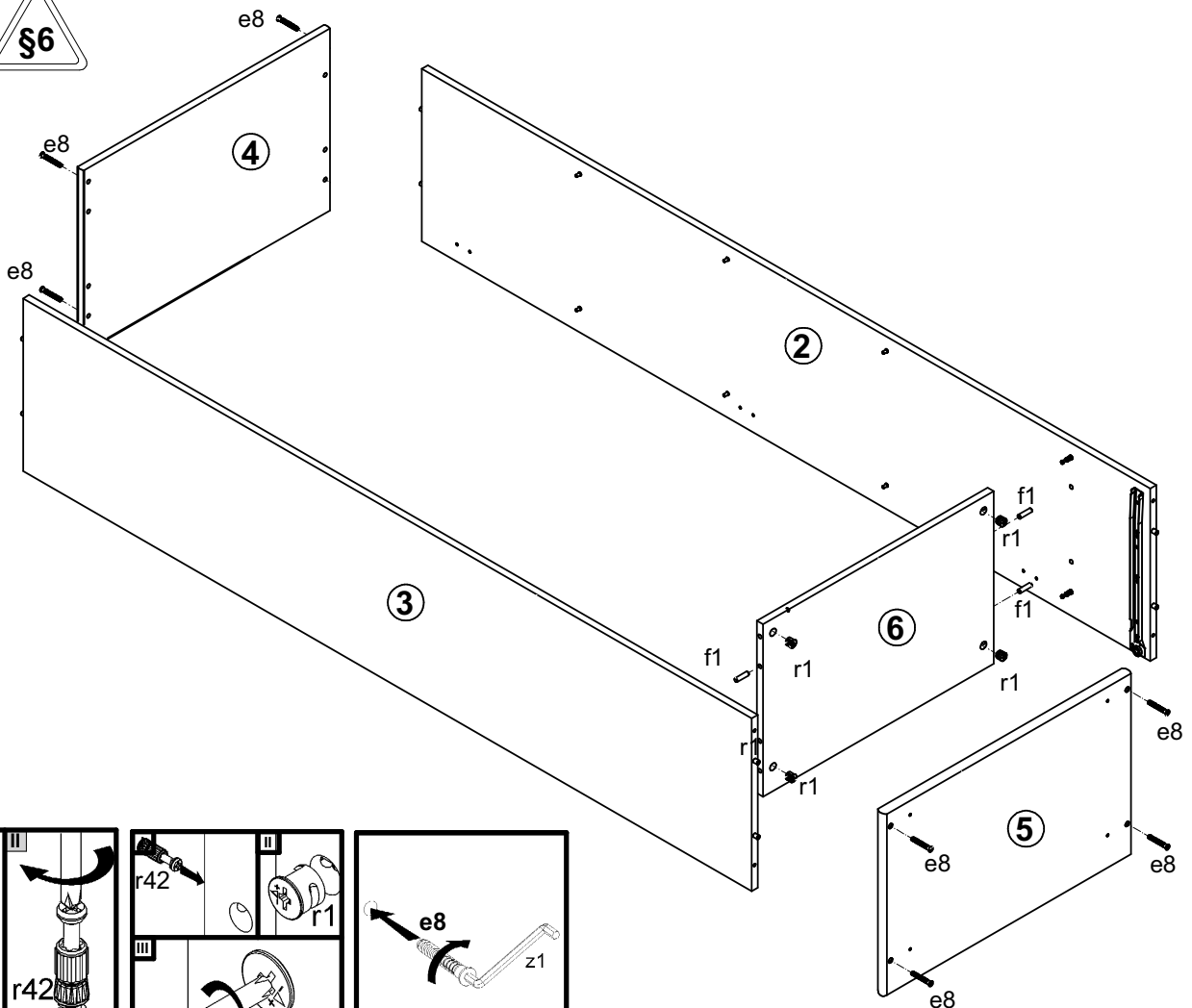


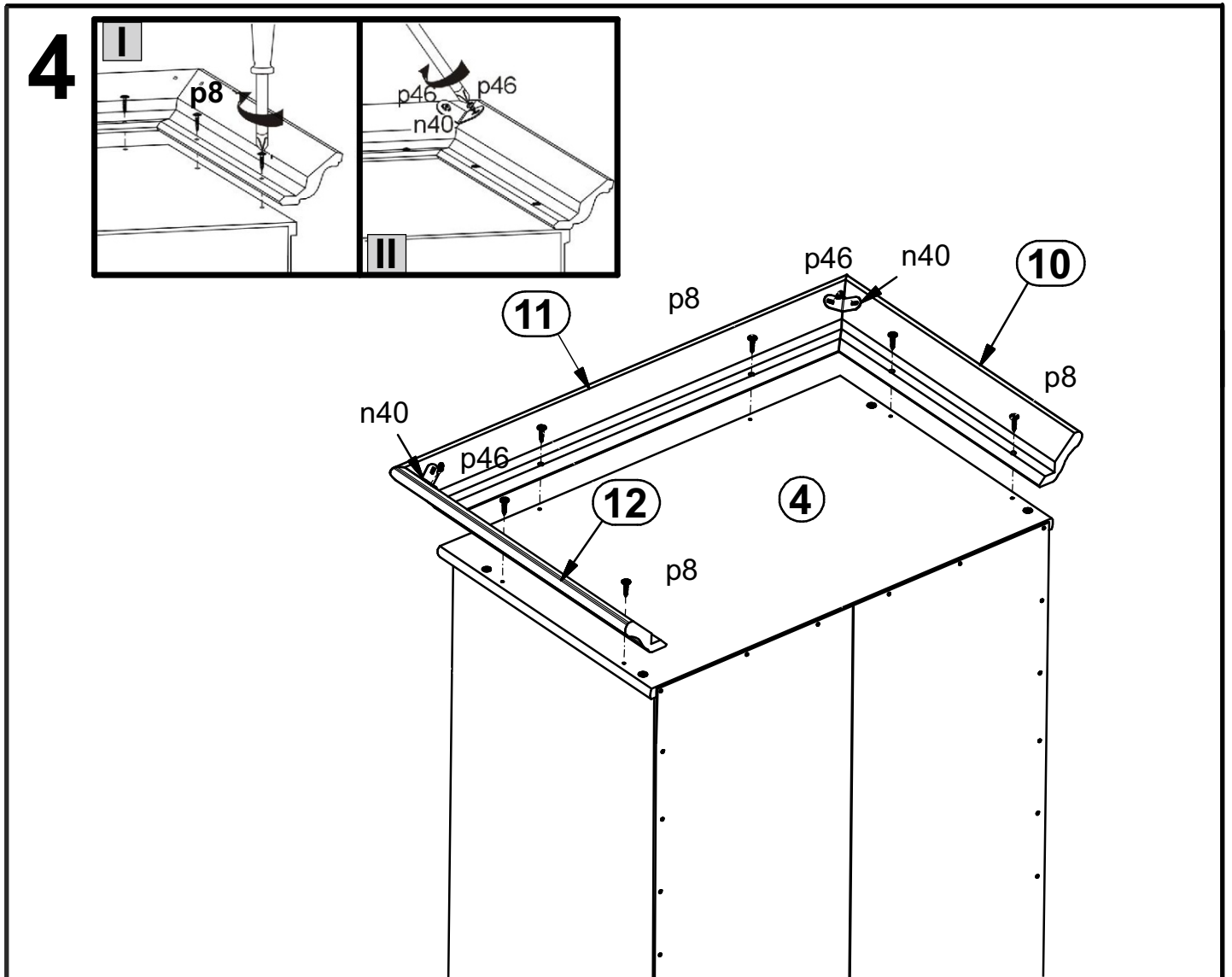
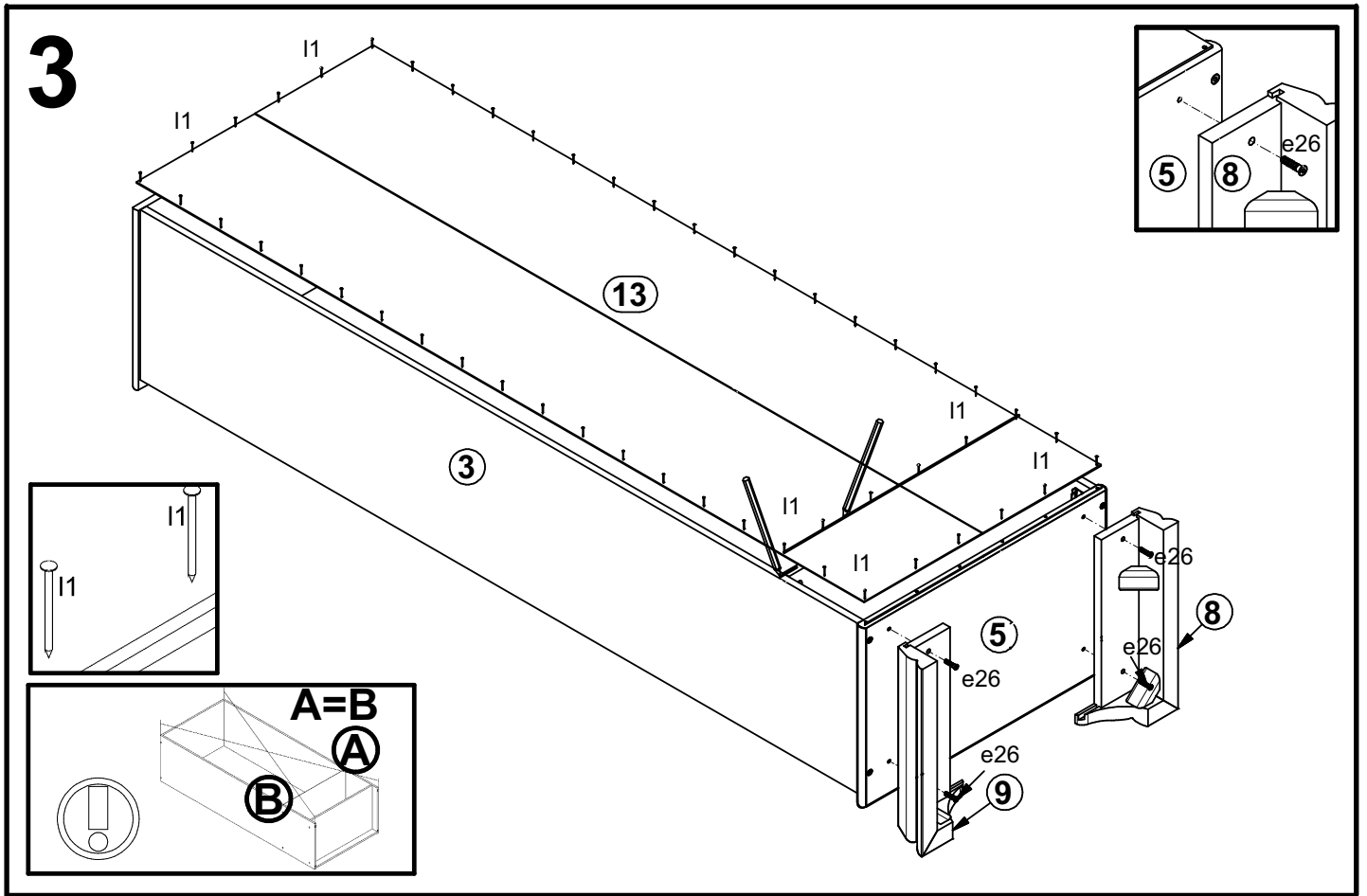
3x a44	3x b19	12x d1 φ5x17 mm	8x e8 φ7x60 mm	4x e19 φ5x9 mm	6x e2 φ6,3x13 mm	6x e26 φ7x35 mm	6x e3 φ6x13 mm	14x f1 φ8x30 mm
4x e1 φ7x50 mm	1x j29 M4x14 mm	1x j11 M4x28 mm	60x l1	2x n40 26x26x16/1 - 125°	2x c35/2	2x c35/1	4x p46 φ3x7 mm	6x p51 φ3,5x15 mm
8x r1 φ1,5x12mm #16	1x r15 φ1,2x10,5mm #12	9x r42	6x p8 φ4x25 mm	1x w45/CL 350 mm	1x w45/CR 350 mm	1x w45/DL 350 mm	1x w45/DR 350 mm	1x z1
1x n26/1	1x p38 φ3,5x16 mm	4x s2 ø16	6x s4 ø5	1шт. f35 φ10x50 mm	1шт. p17 φ5x60 mm			

1

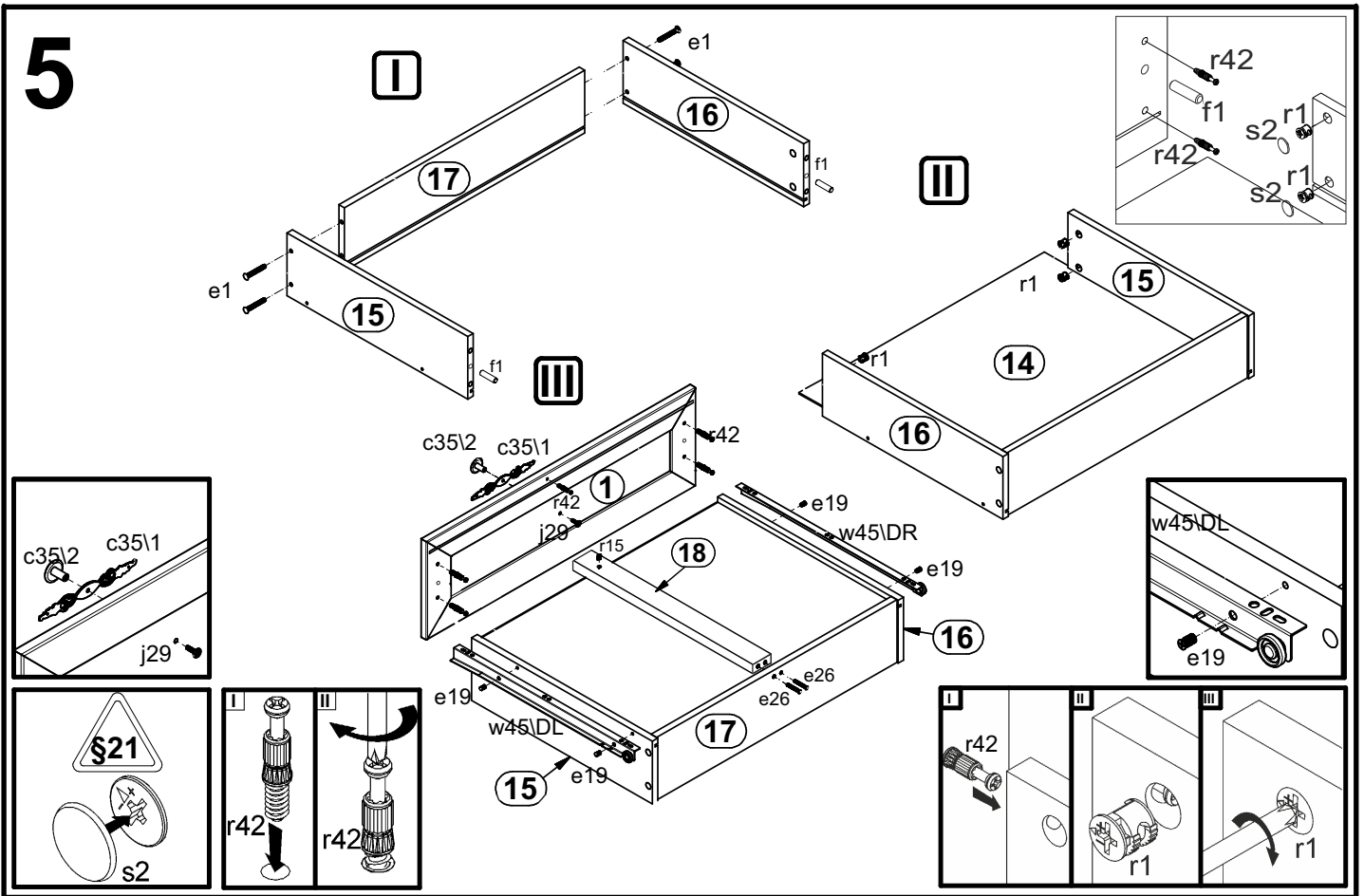


2





5



6

