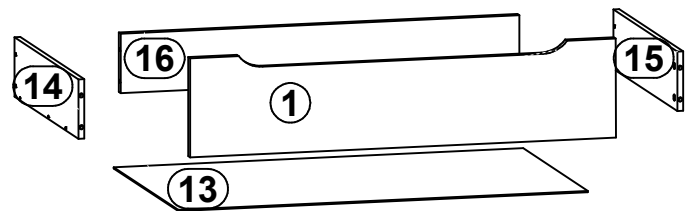
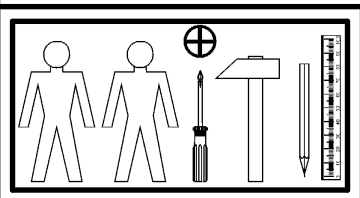
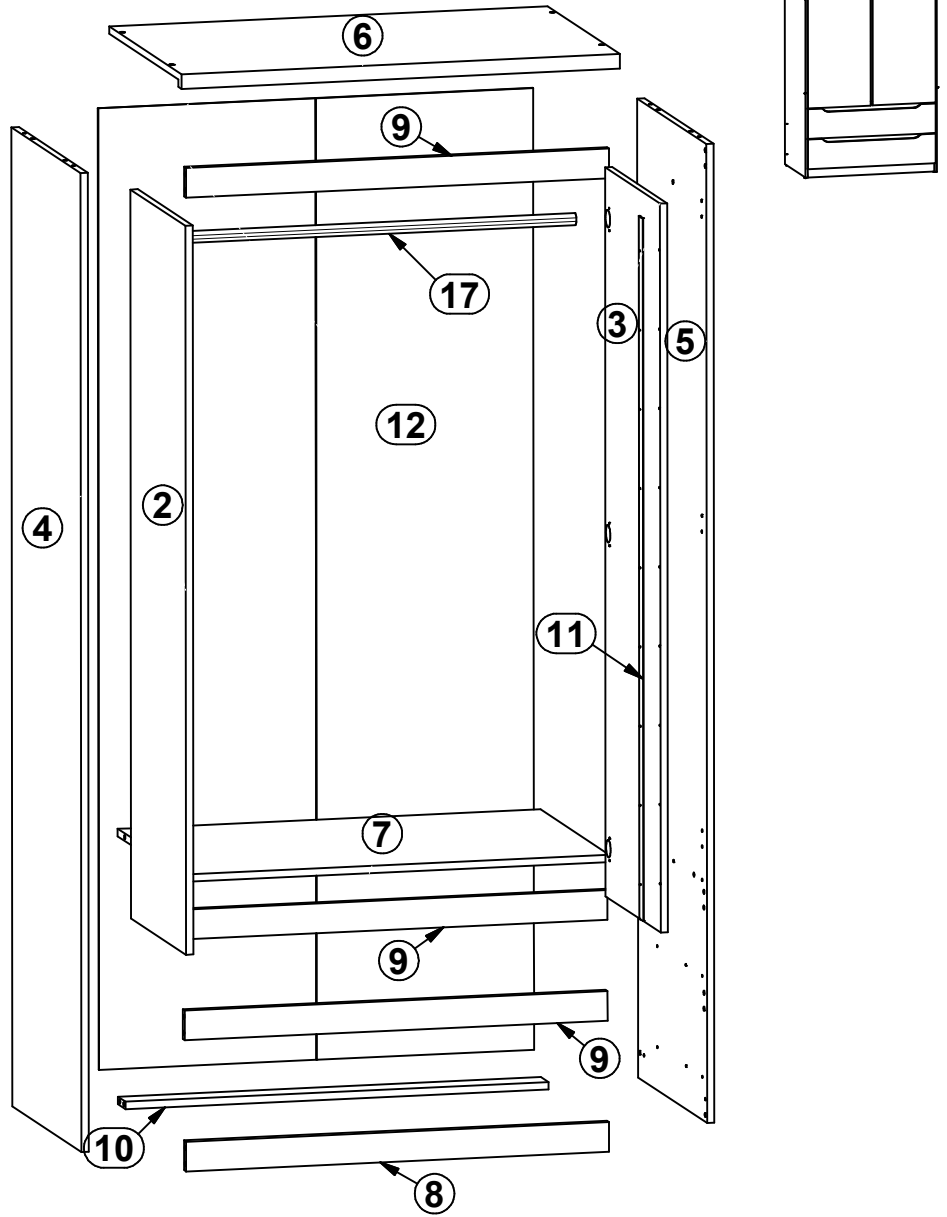


# S162-SZF2D2S

A	B	C	D
1	S162-004	874	200
2	S162-005	1472	430
3	S162-013	1472	430
4	S162-105	1977	540
5	S162-106	1977	540
6	S162-202	900	566
7	S162-303	868	540
8	S162-401	868	60
9	S162-403	868	60
10	S162-407	868	60
11	S162-503	1419	29
12	S162-905	1942	893
13	S162-906	841	505
14	ZS3-505	500	120
15	ZS3-506	500	120
16	ZS3-5505	819	120
17	dr-862	862	22



6x a68	6x b19	4x e1 φ7x50 mm	12x e19 φ5x9 mm	12x e2 φ6,3x13 mm	12x e3 φ6x13 mm	24x f1 φ8x30 mm	8x f25 φ6,5x40 mm	4x k1
70x l1	2x n1	2x p1 φ3,5x13 mm	2x p25 φ3,5x16 mm	2x p35 φ3,5x10 mm	17x p38 φ3,5x16 mm	12x p51 φ3,5x15 mm	10x r1 φ1,5x12mm #16	8x r15 φ12x10,5mm #12
18x r42	2x t34 500 mm	2x w26\CL 500 mm	2x w26\CR 500 mm	2x w26\DL 500 mm	2x w26\DR 500 mm	1x z1	1x n26\l1	1x p38 φ3,5x16 mm

