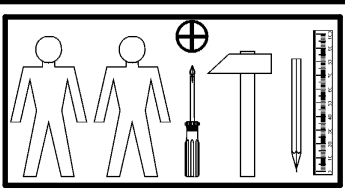
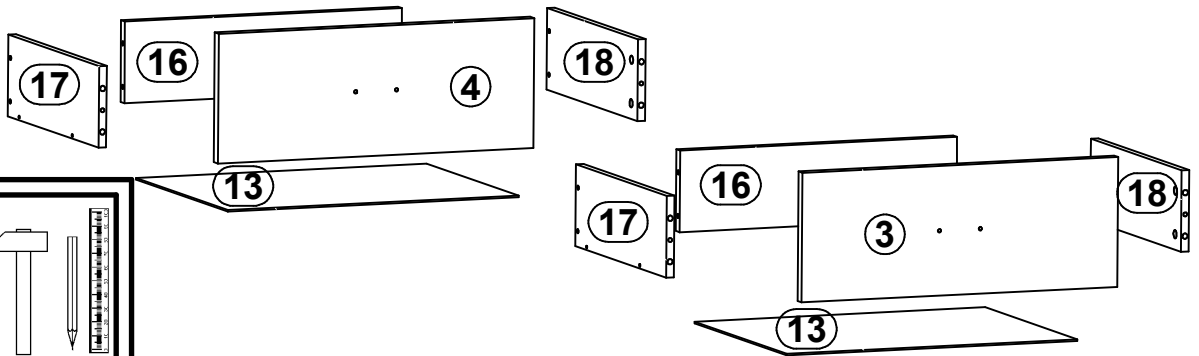
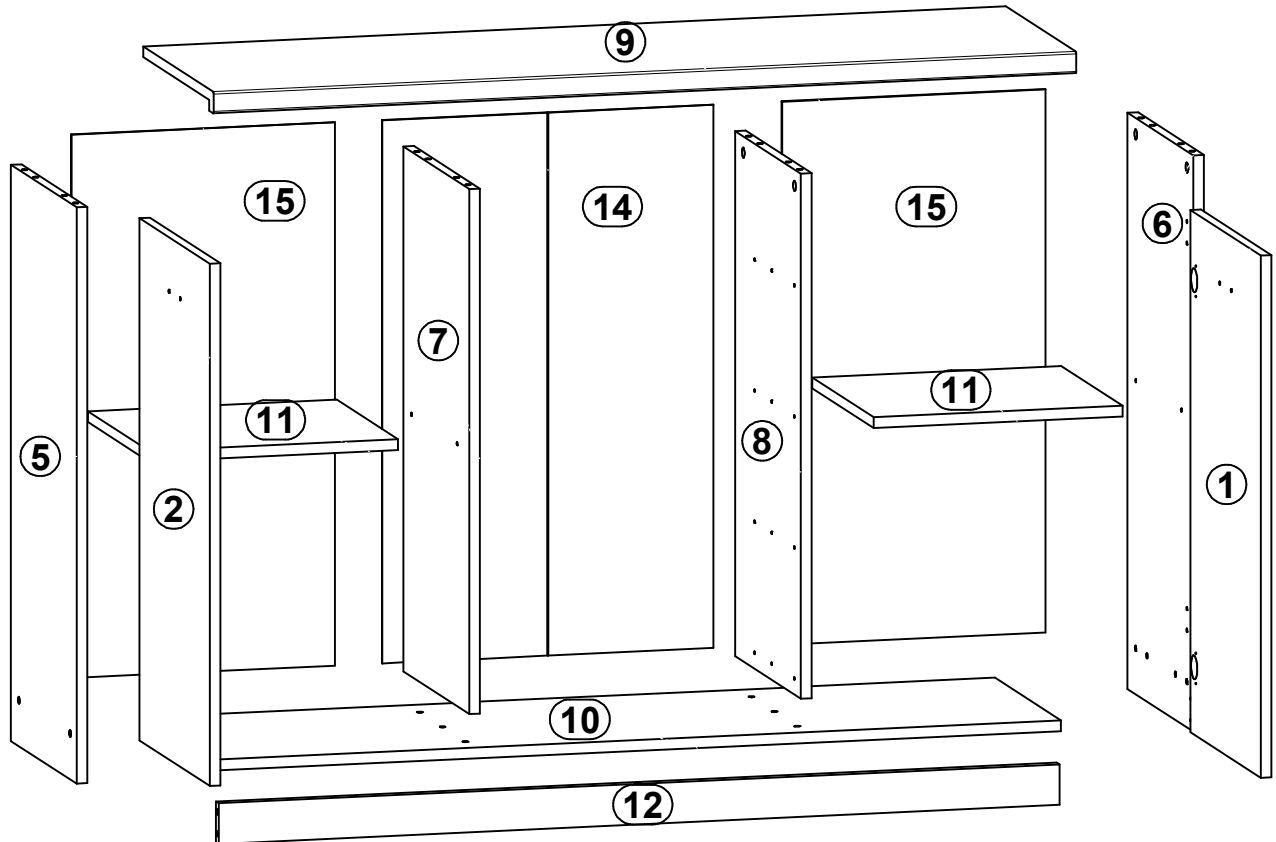
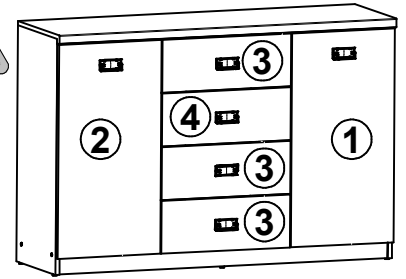
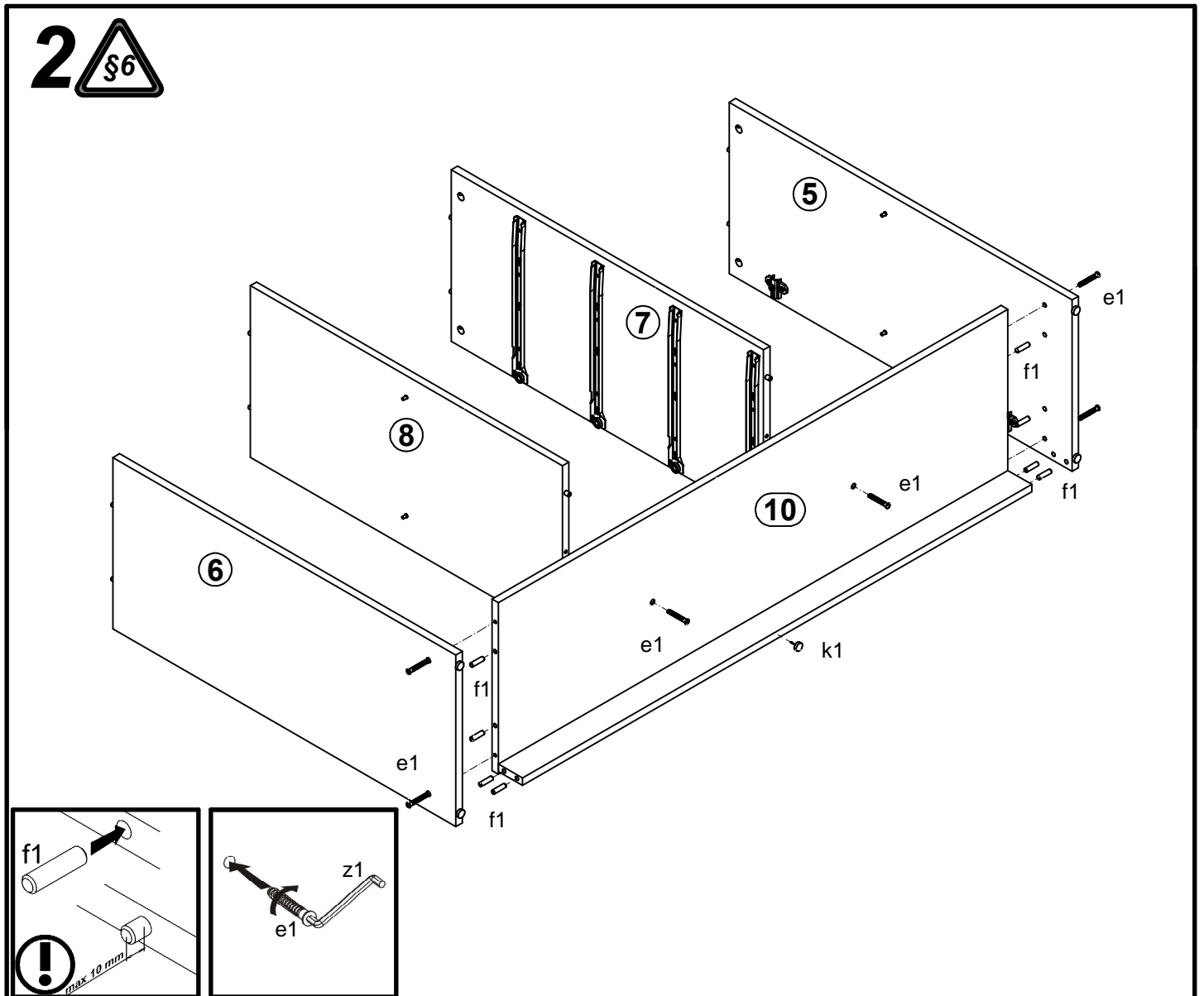
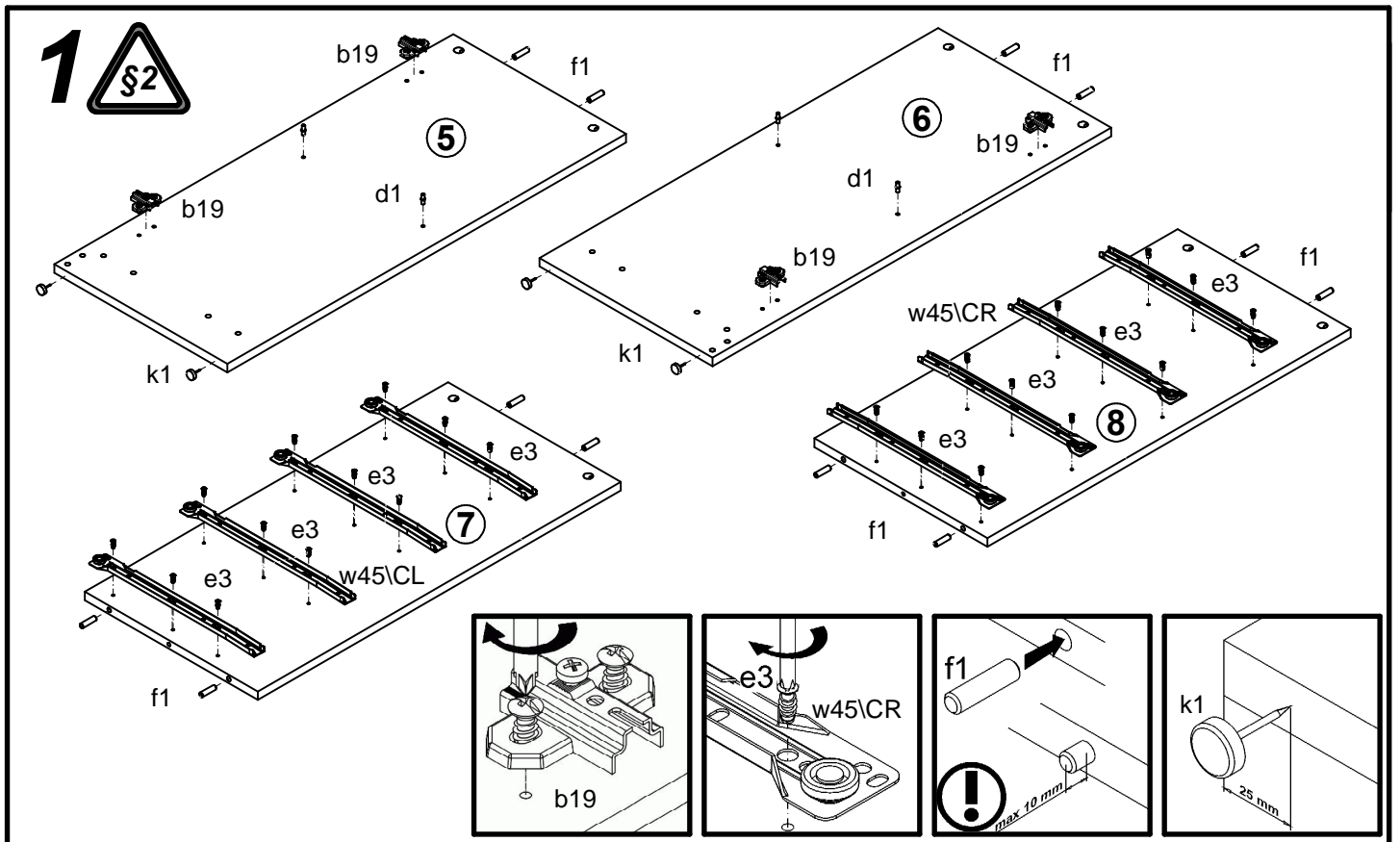


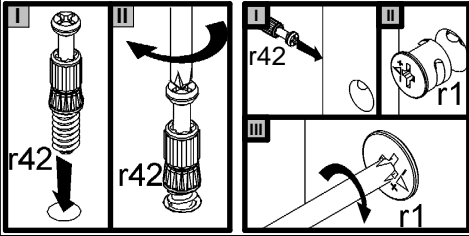
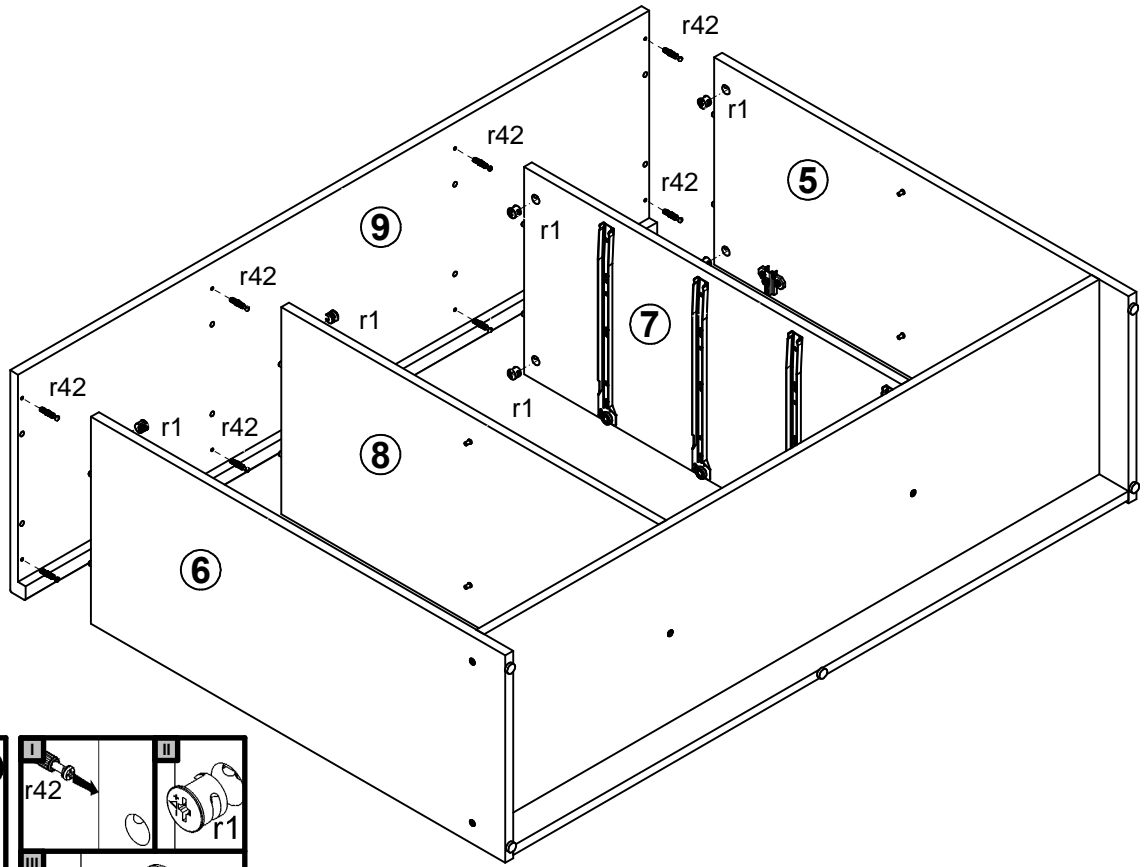
A	B	C	D	A	B	C	D	
1	S325-020	396	773	3/3	10	S325-319	1267 370	2/3
2	S325-021	396	773	3/3	11	S325-320	375, 345	1/3
3	S325-022	496	191	3/3	12	S325-424	1267 60	2/3
4	S325-024	496	191	3/3	13	S325-918	457 355	1/3
5	S325-124	853	370	1/3	14	S325-919	804 499	1/3
6	S325-125	853	370	1/3	15	S325-922	804 397	1/3
7	S325-128	777	370	1/3	16	ZS3-5570	435 120	1/3
8	S325-129	777	370	1/3	17	ZS4-501	350 120	1/3
9	S325-209	1300	395	2/3	18	ZS4-502	350 120	1/3



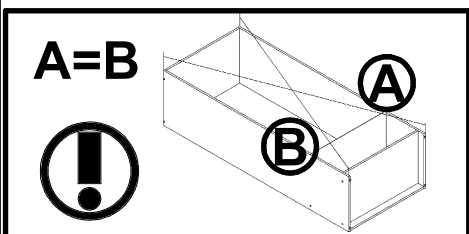
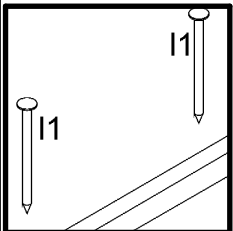
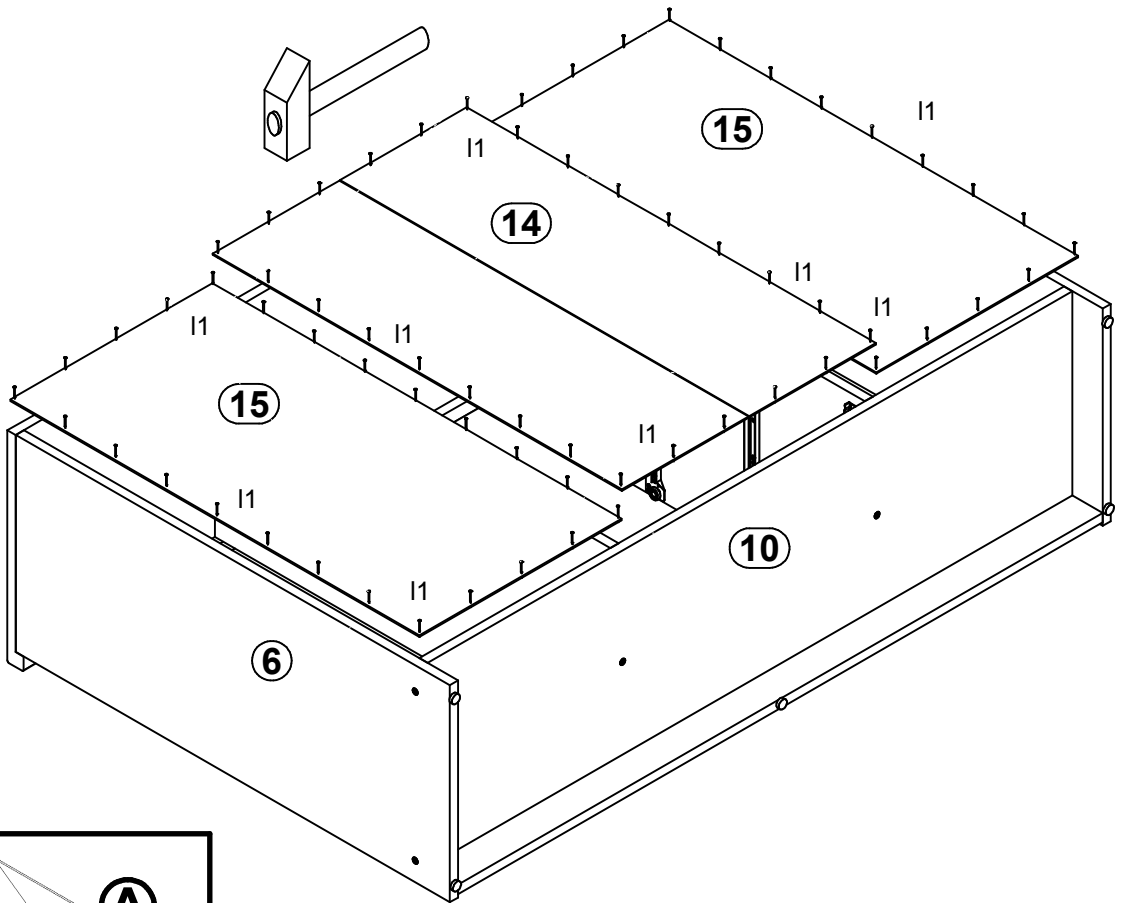
4x a44	4x b19	6x c417 64 mm	8x d1 Ø5x17 mm	6x e1 Ø7x50 mm	16x e19 Ø5x9 mm	24x e3 Ø6x13 mm	21x f1 Ø8x30 mm	16x f25 Ø6.5x40 mm
8x f9 Ø6x30 mm	12x j30 M4x22 mm	6x k1	75x l1	12x o21 silikon	16x p38 Ø3.5x16 mm	8x p51 Ø3.5x15 mm	8x r1 Ø15x12 mm #16	16x r15 Ø12x10.5 mm #12
24x r42 20/11	4x w45\CL 350 mm	4x w45\CR 350 mm	4x w45\DL 350 mm	4x w45\DR 350 mm	1x n26\1	1x p38 Ø3.5x16 mm	4x s1	6x s2 Ø16
1x z1								



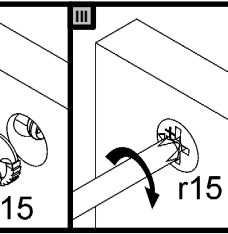
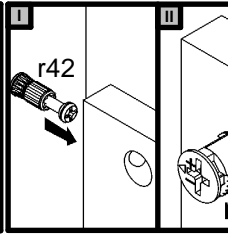
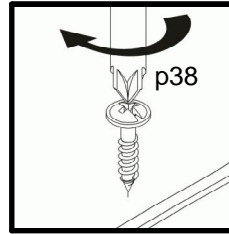
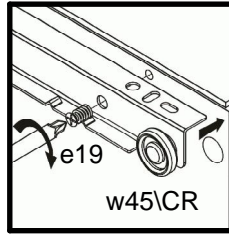
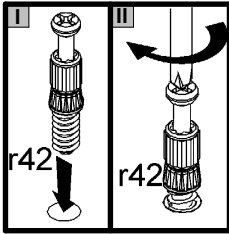
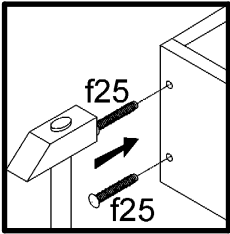
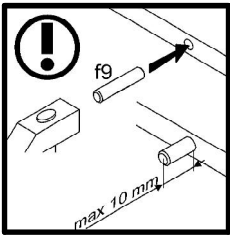
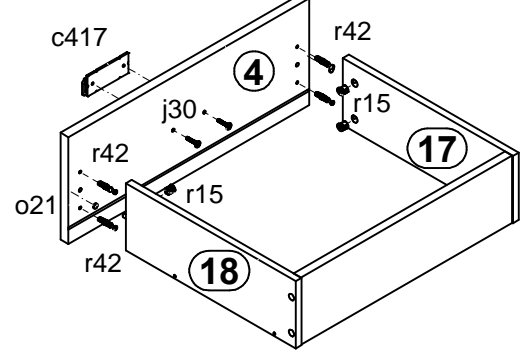
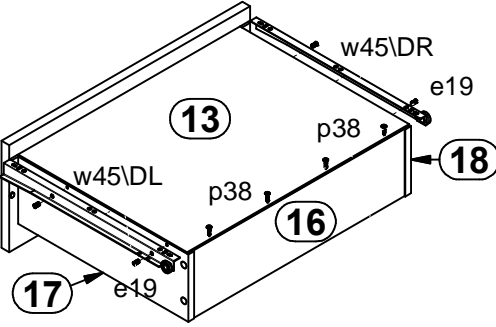
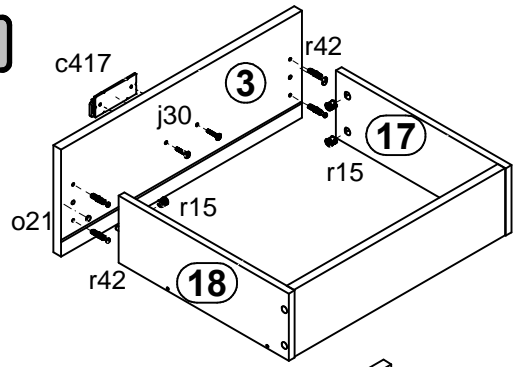
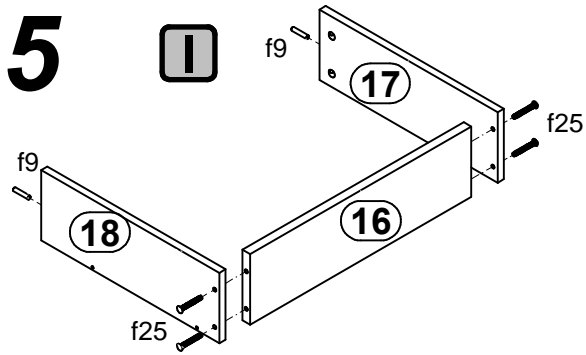
3



4



5



6

