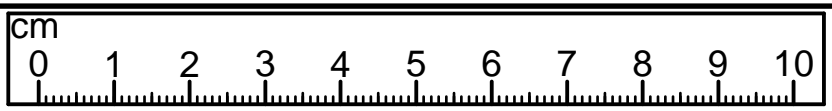
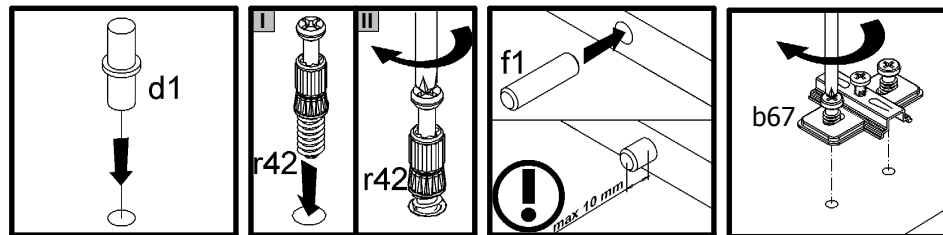
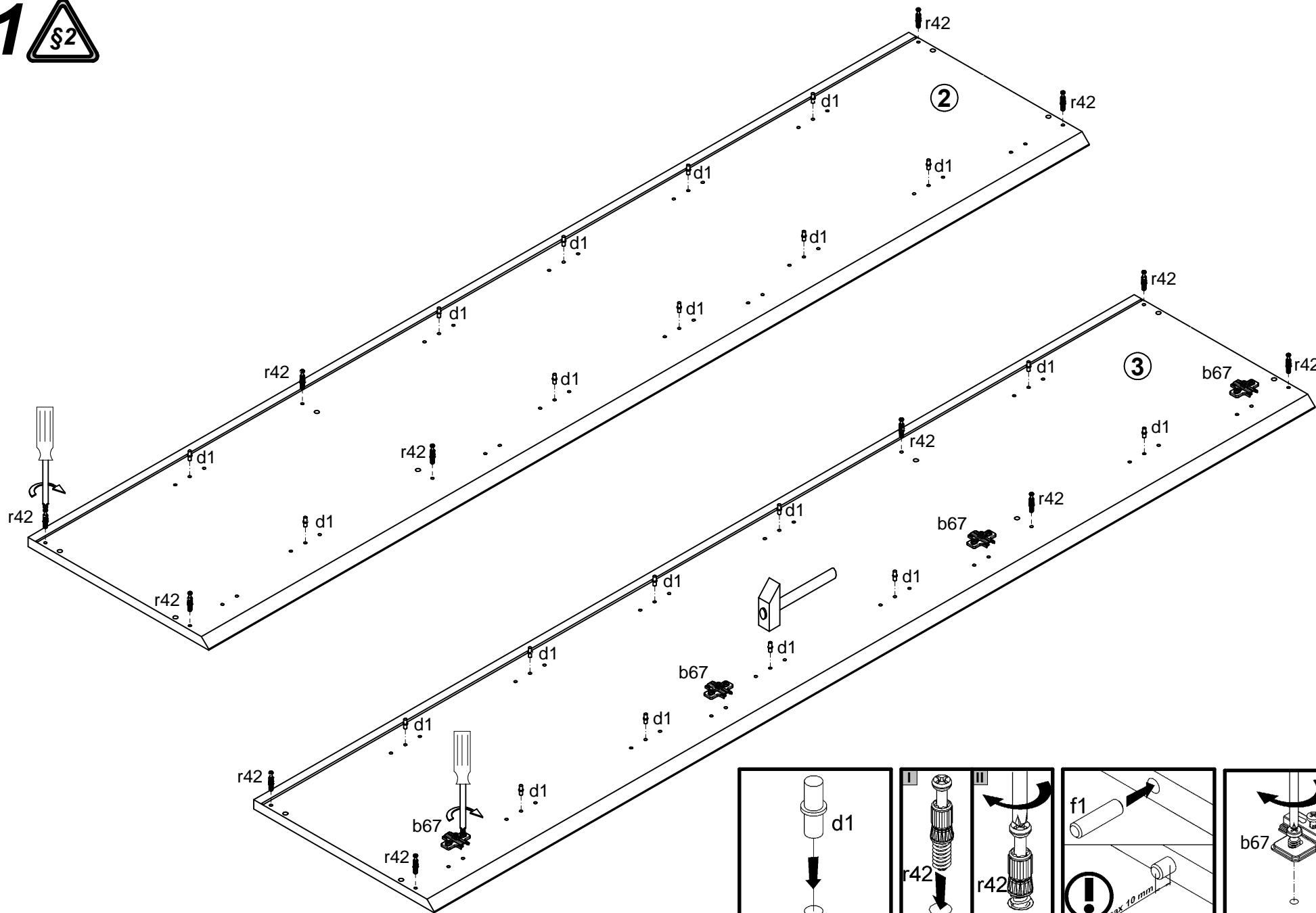


| A | B         | C (mm) |     | D   |
|---|-----------|--------|-----|-----|
| 1 | S229-006  | 1946   | 499 | 3/3 |
| 2 | S229-108  | 1950   | 400 | 2/3 |
| 3 | S229-109  | 1950   | 400 | 2/3 |
| 4 | S229-309  | 472    | 384 | 1/3 |
| 5 | S229-310  | 472    | 384 | 1/3 |
| 6 | S229-311  | 472    | 364 | 1/3 |
| 7 | S229-312  | 471    | 354 | 1/3 |
| 8 | S229-9904 | 1927   | 483 | 2/3 |

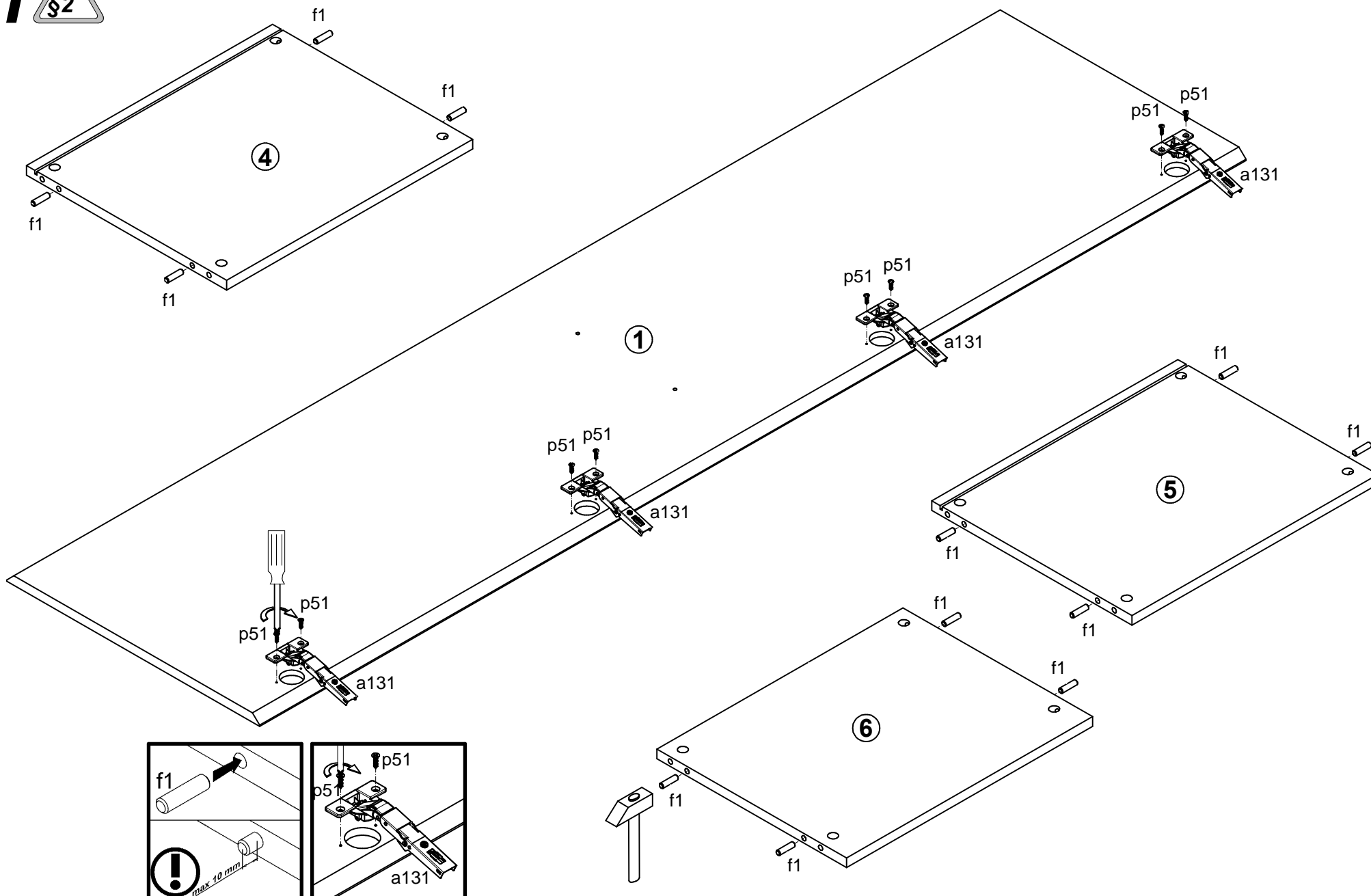


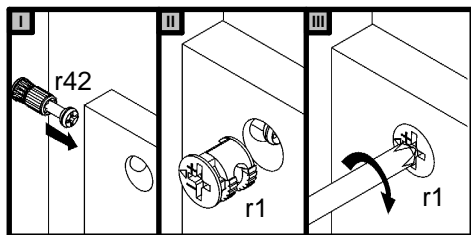
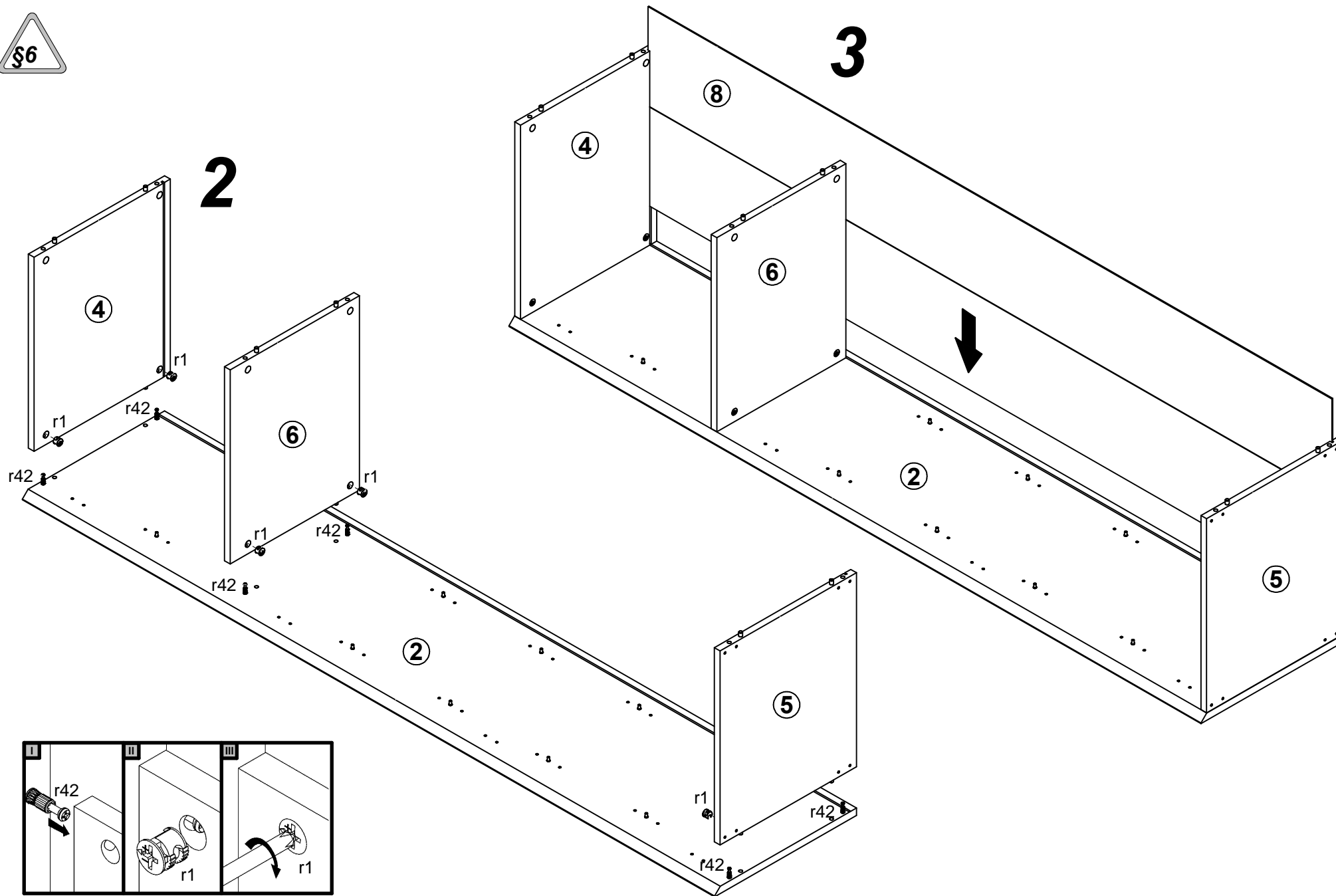
- 4x a131
- 4x b67
- 1x c398
- 20x d1
- 8x e3
- 12x f1
- 2x f54
- 2x j30
- 4x k821
- 4x k822
- 6x l1
- 18x l2
- 8x p51
- 12x r1
- 12x r42
- 12x s2
- 1x n261
- 1x p38

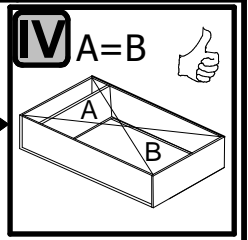
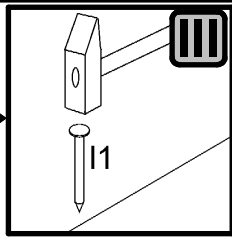
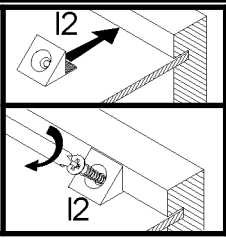
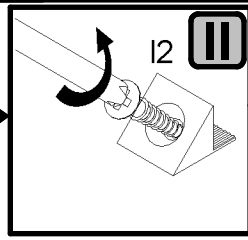
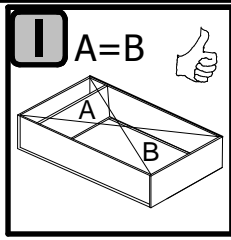
1 



1 §2

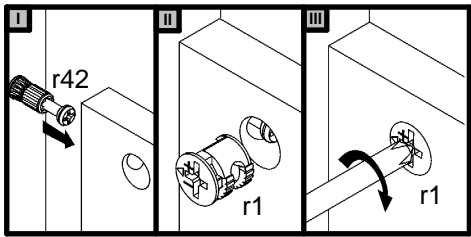
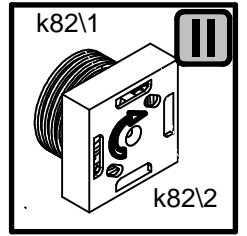
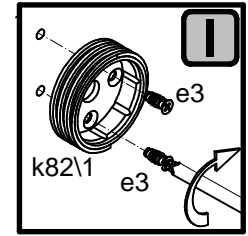
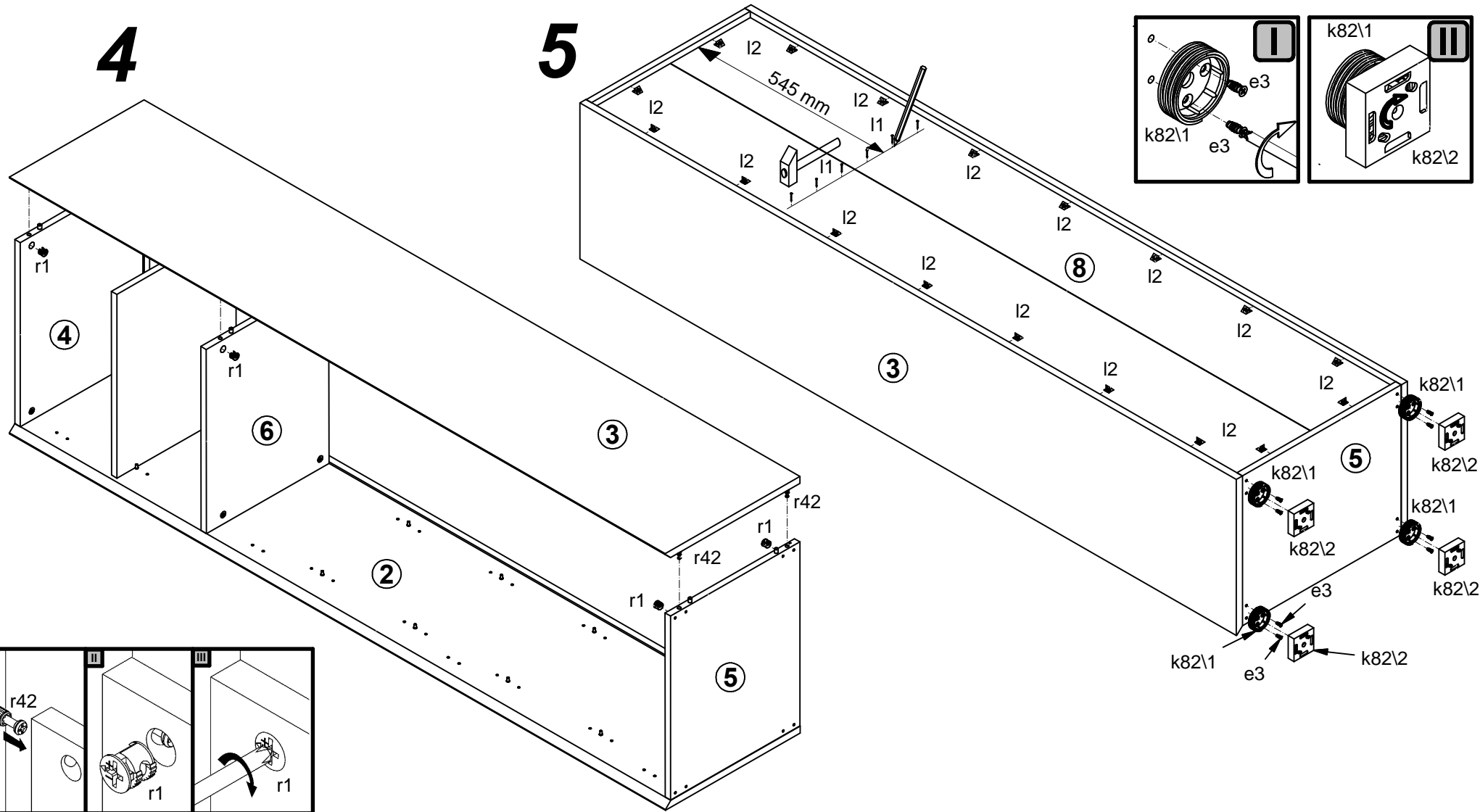




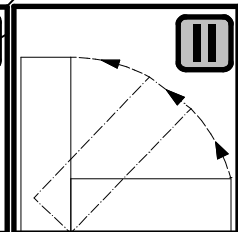
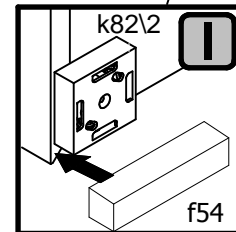
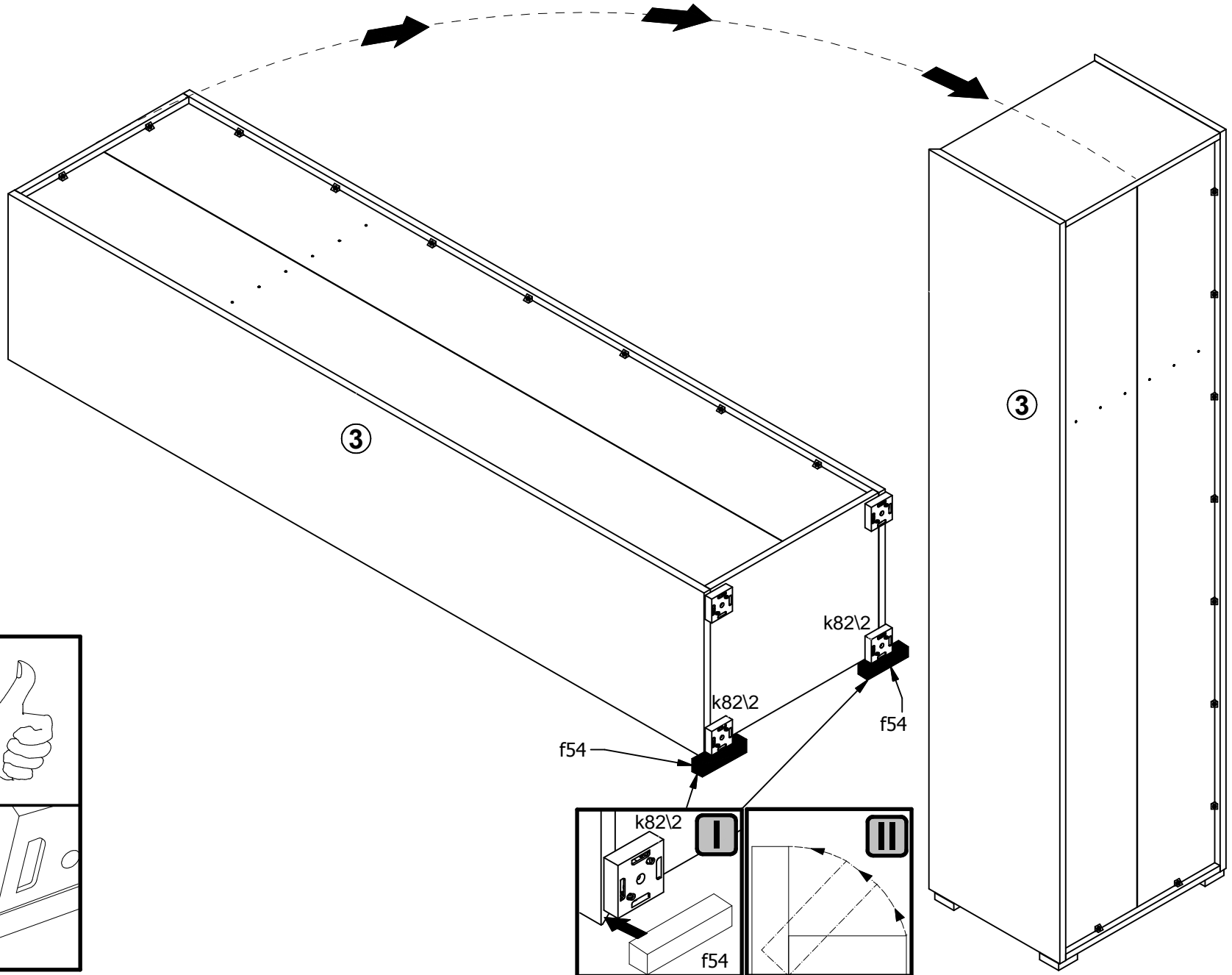
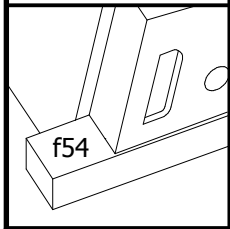
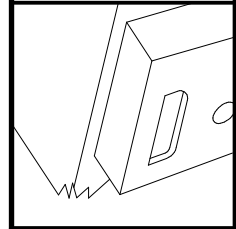
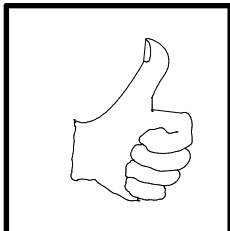
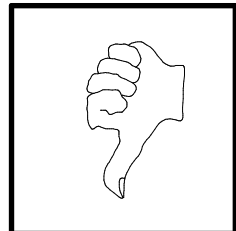
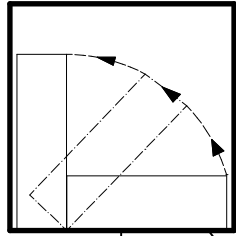
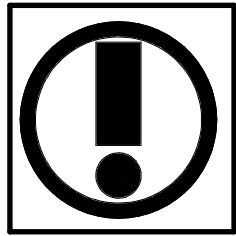


4

5



6



7

