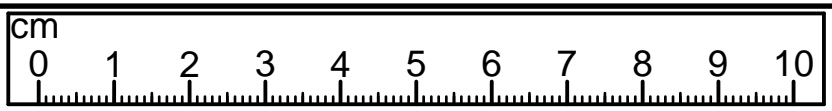
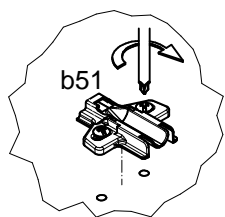


A	B	C (mm)		D
1	S221-011	1886	392	1/1
2	S221-012	180	392	1/1
3	S221-119	1960	400	1/1
4	S221-120	1960	400	1/1
5	S221-121	1835	378	1/1
6	S221-122	588	378	1/1
7	S221-322	776	379	1/1
8	S221-323	776	379	1/1
9	S221-324	385	375	1/1
10	S221-325	385	378	1/1
11	S221-326	368	370	1/1
12	S221-413	369	60	1/1
13	S221-532	64	100	1/1
14	S221-902	1867	401	1/1
15	S221-917	1867	384	1/1
16	WSP-935	339	358	1/1
17	WSQ3-505	350	120	1/1
18	WSQ3-506	350	120	1/1
19	WTQ-5033	329	107	1/1

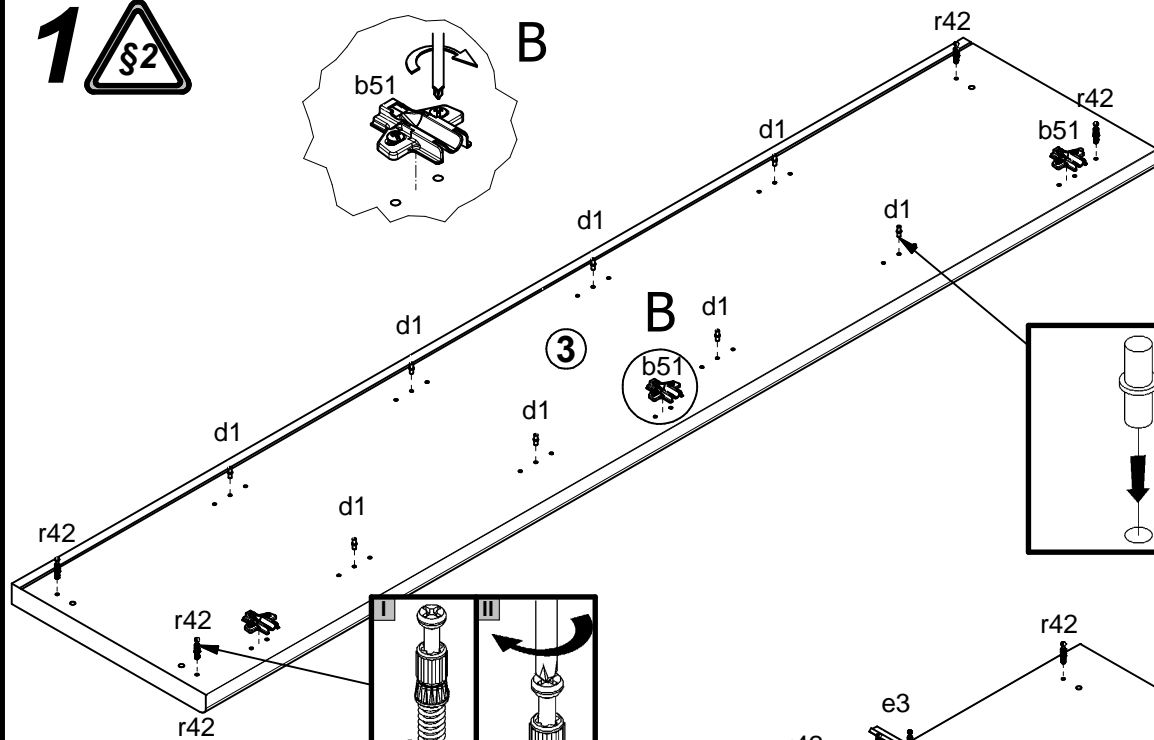


3x a109	3x b51	24x Ø5x17 mm d1	5x Ø7x50 mm e1	24x Ø6x13 mm e3	25x Ø8x30 mm f1	12x Ø6.5x40 mm f25	4x k1	1x M6/Ø14x14 mm k39 2	1x M6/22 mm k39 3	20x l1	16x l2	12x 20x13x3.5 n108
5x silikon o21	4x Ø4x30 mm p21	3x Ø3.5x16 mm p25	3x Ø3.5x10 mm p35	12x Ø3.5x16 mm p38	6x Ø3.5x15 mm p51	18x Ø2.9x16 mm p55	20x Ø15x12 mm #16 r1	12x Ø12x10.5 mm #12 r15	32x r42	12x Ø12 s34	3x 350 mm t35	3x 350 mm W117L
3x 350 mm W117P	1x n26 1	1x Ø3.5x16 mm p38	1x z1									

1

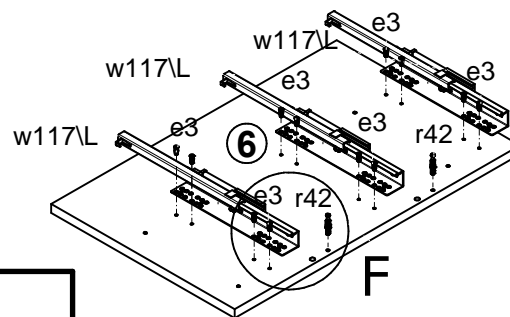
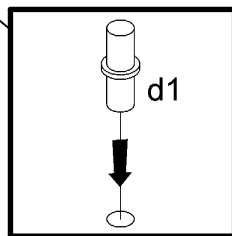


B



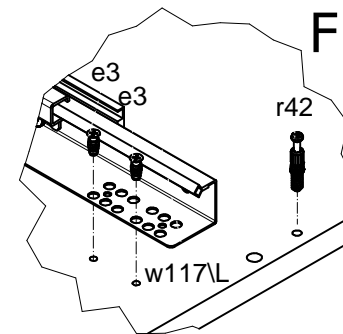
3

B

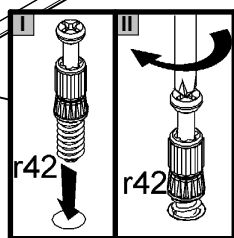
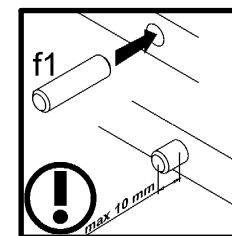


6

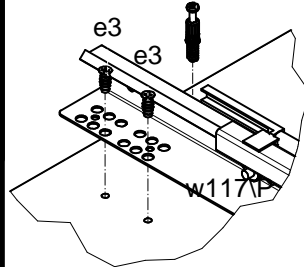
F



F

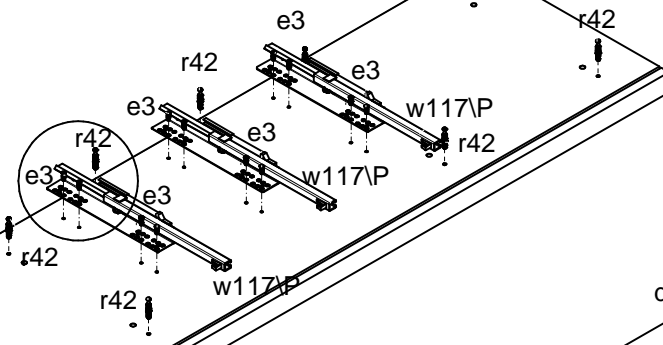


C

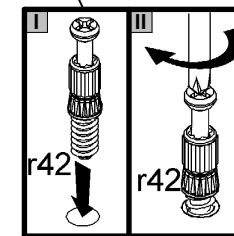
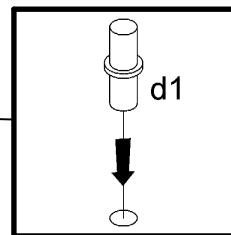
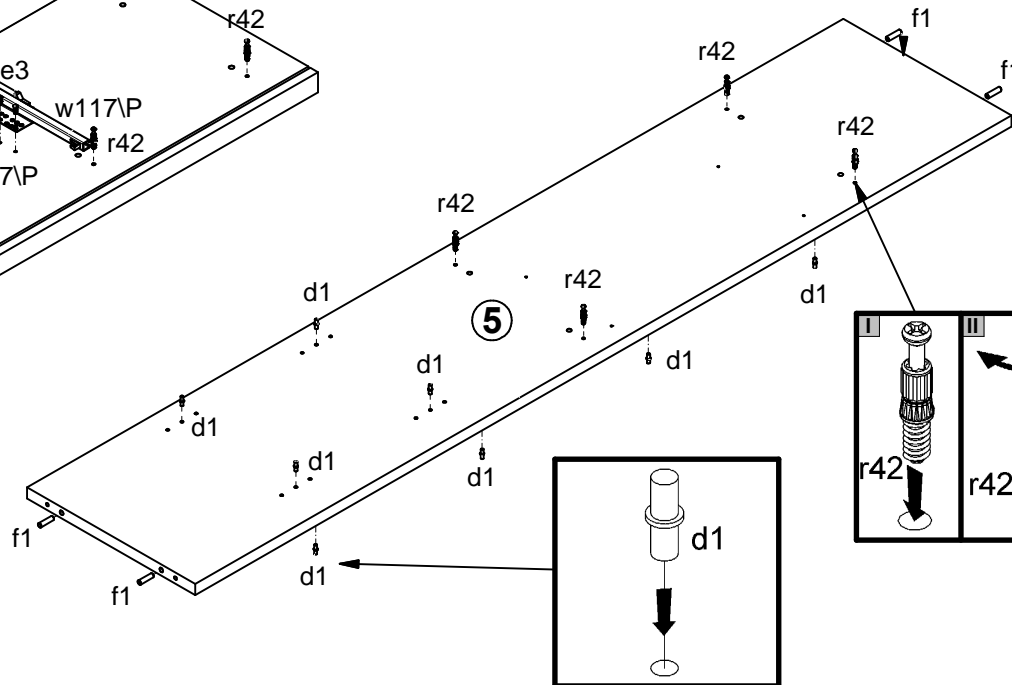


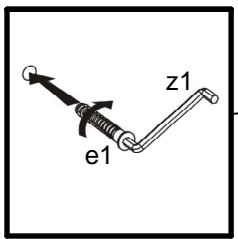
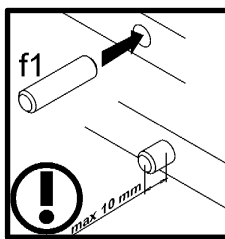
4

C

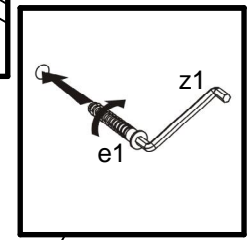
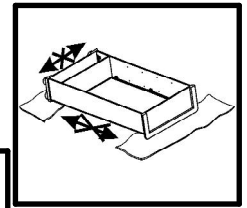
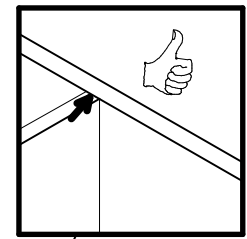
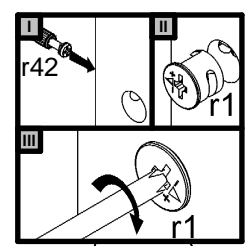


5

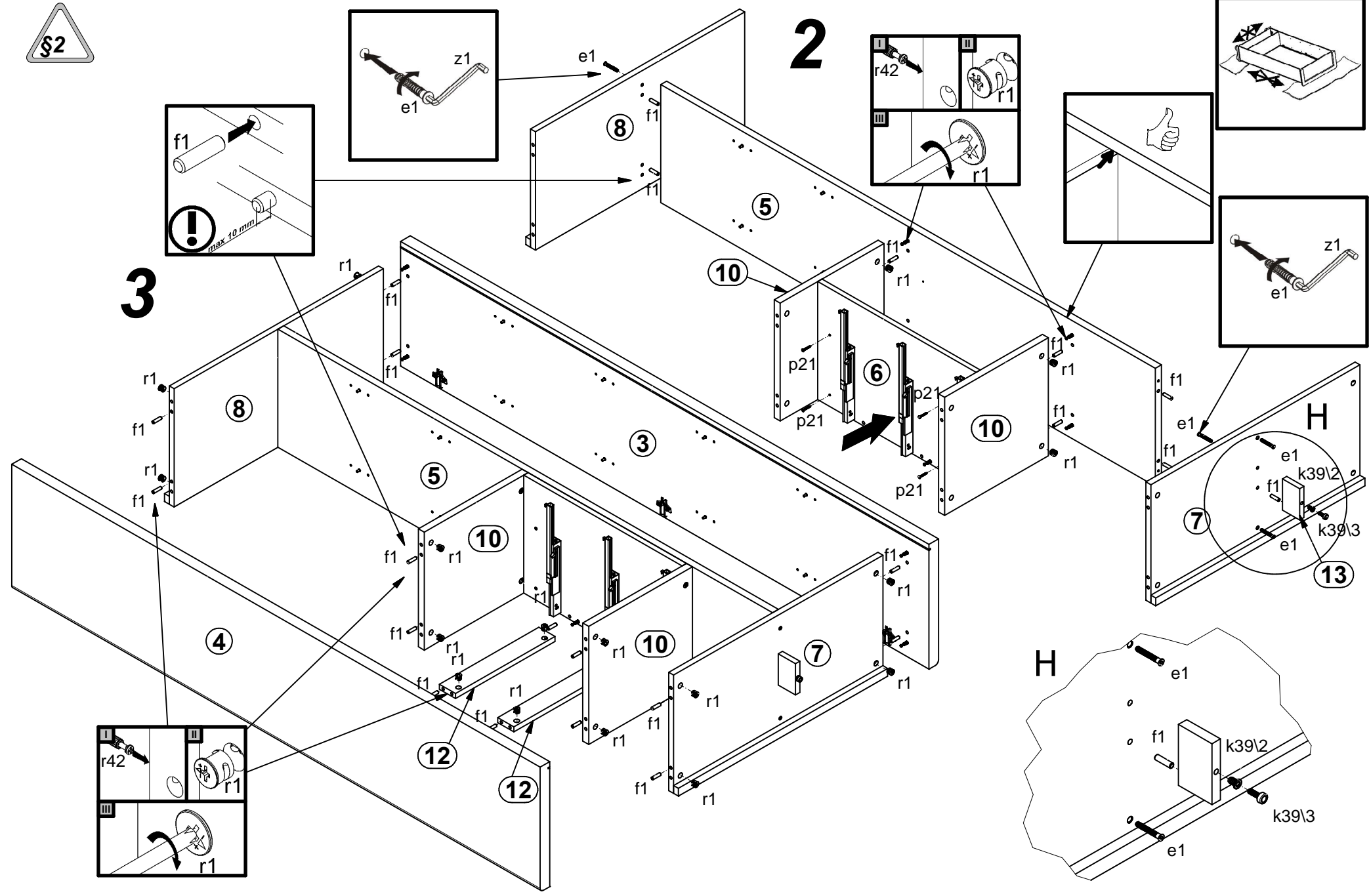




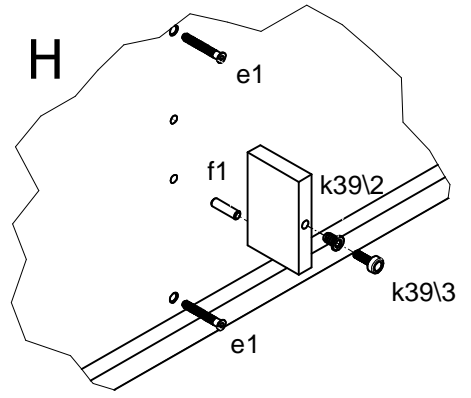
2

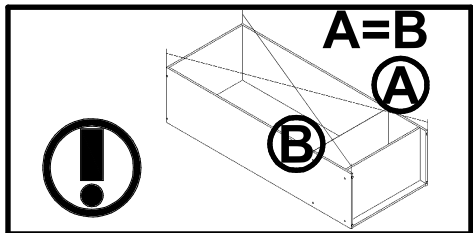
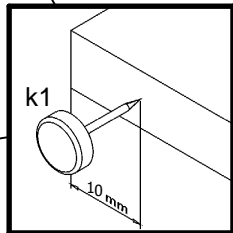
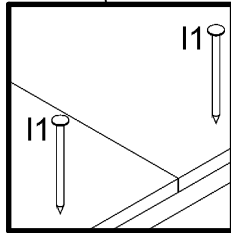
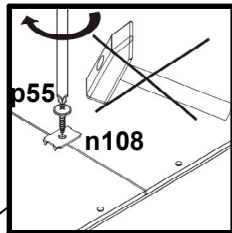
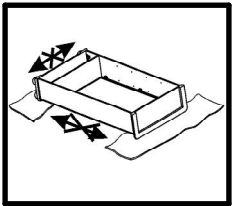
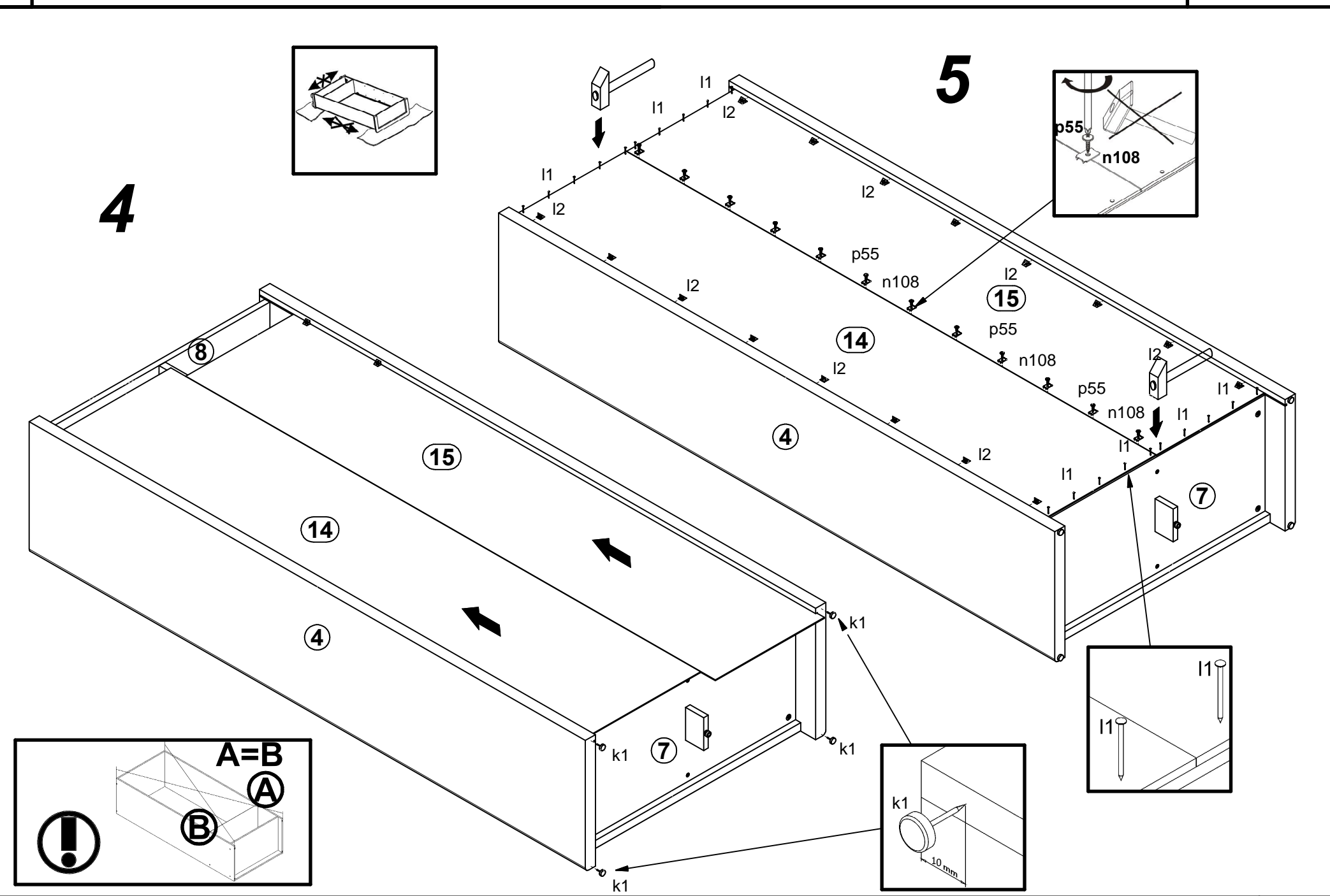


3

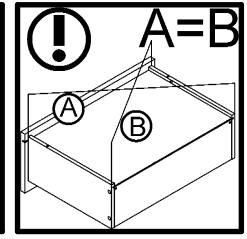
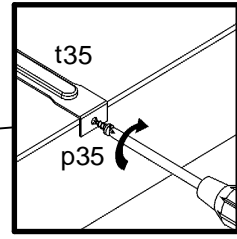
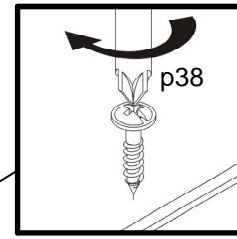
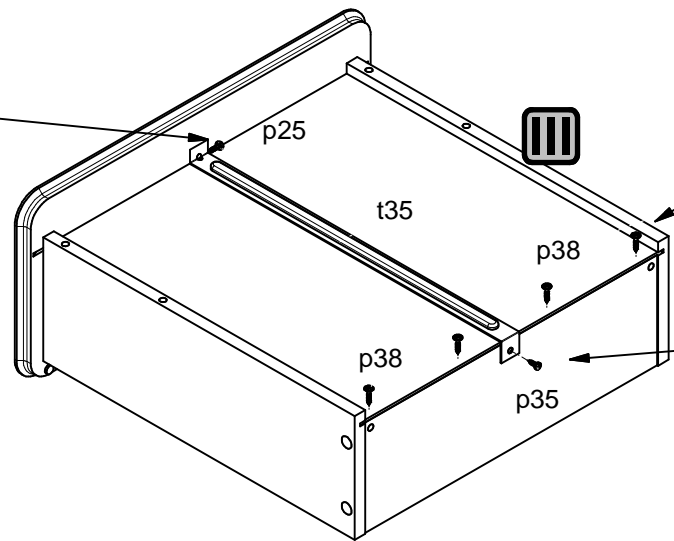
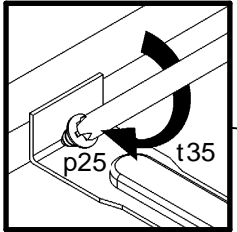
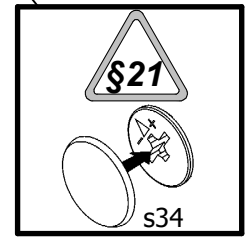
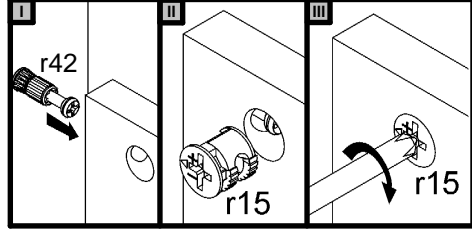
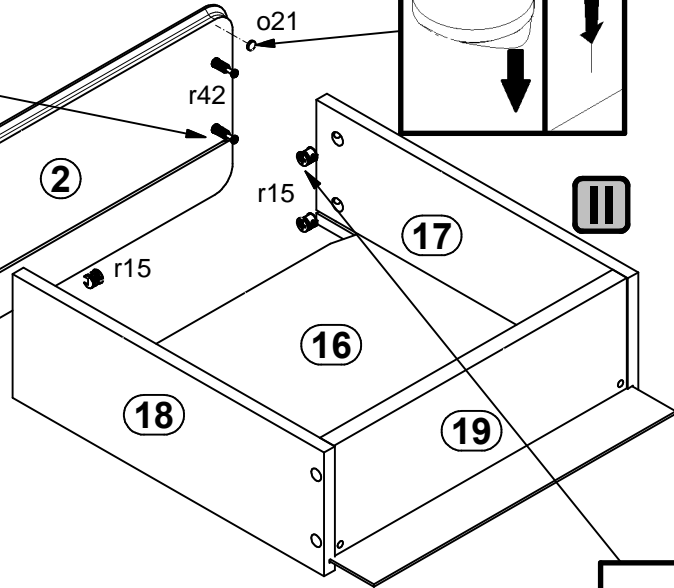
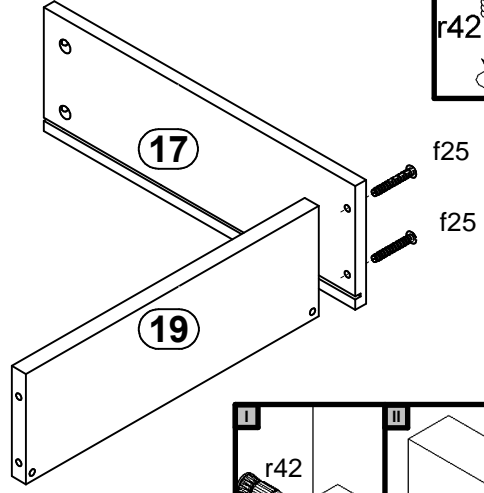
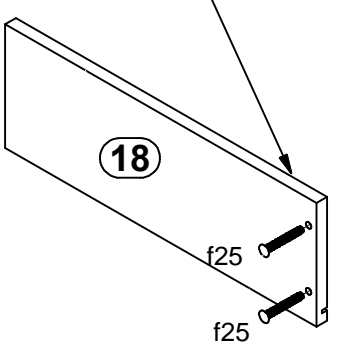
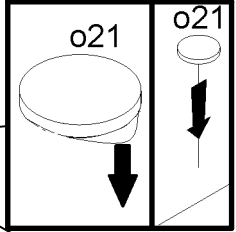
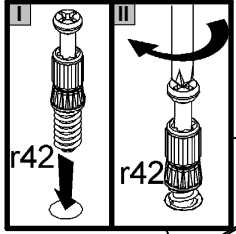
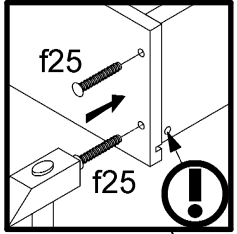


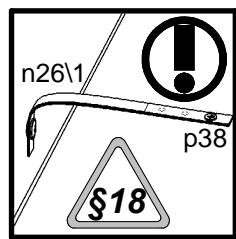
H



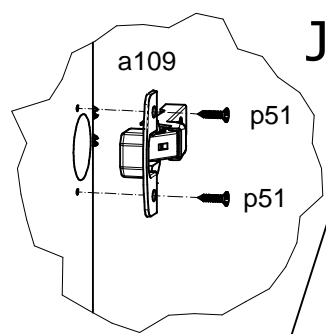
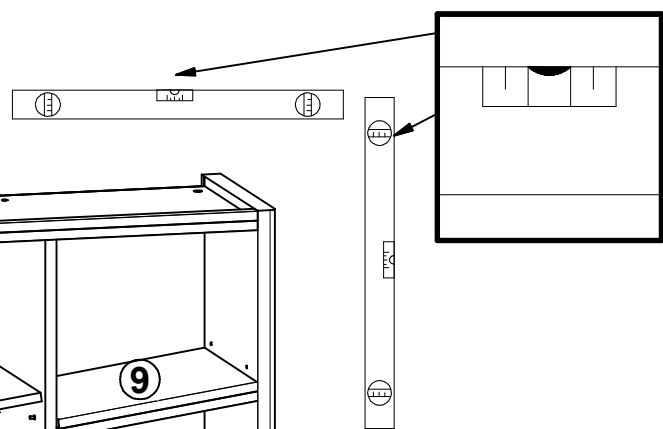


6





7



J

