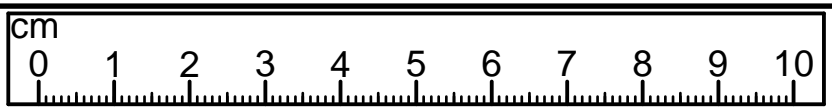
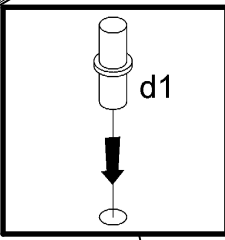
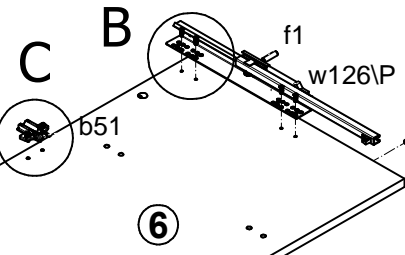
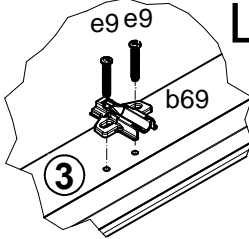
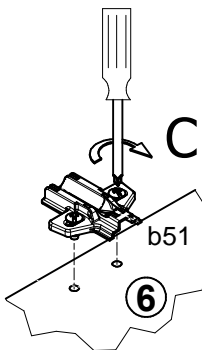
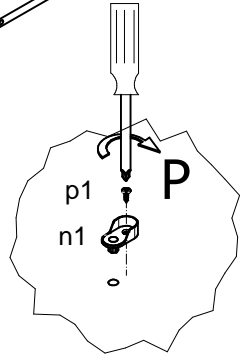
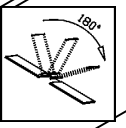
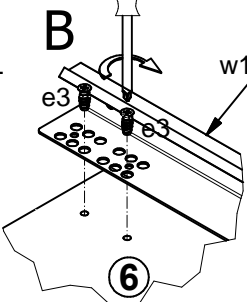
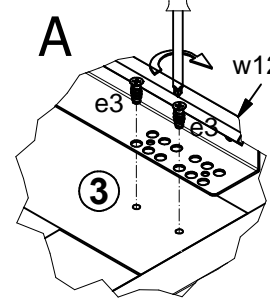
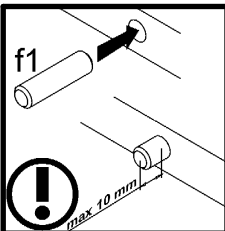
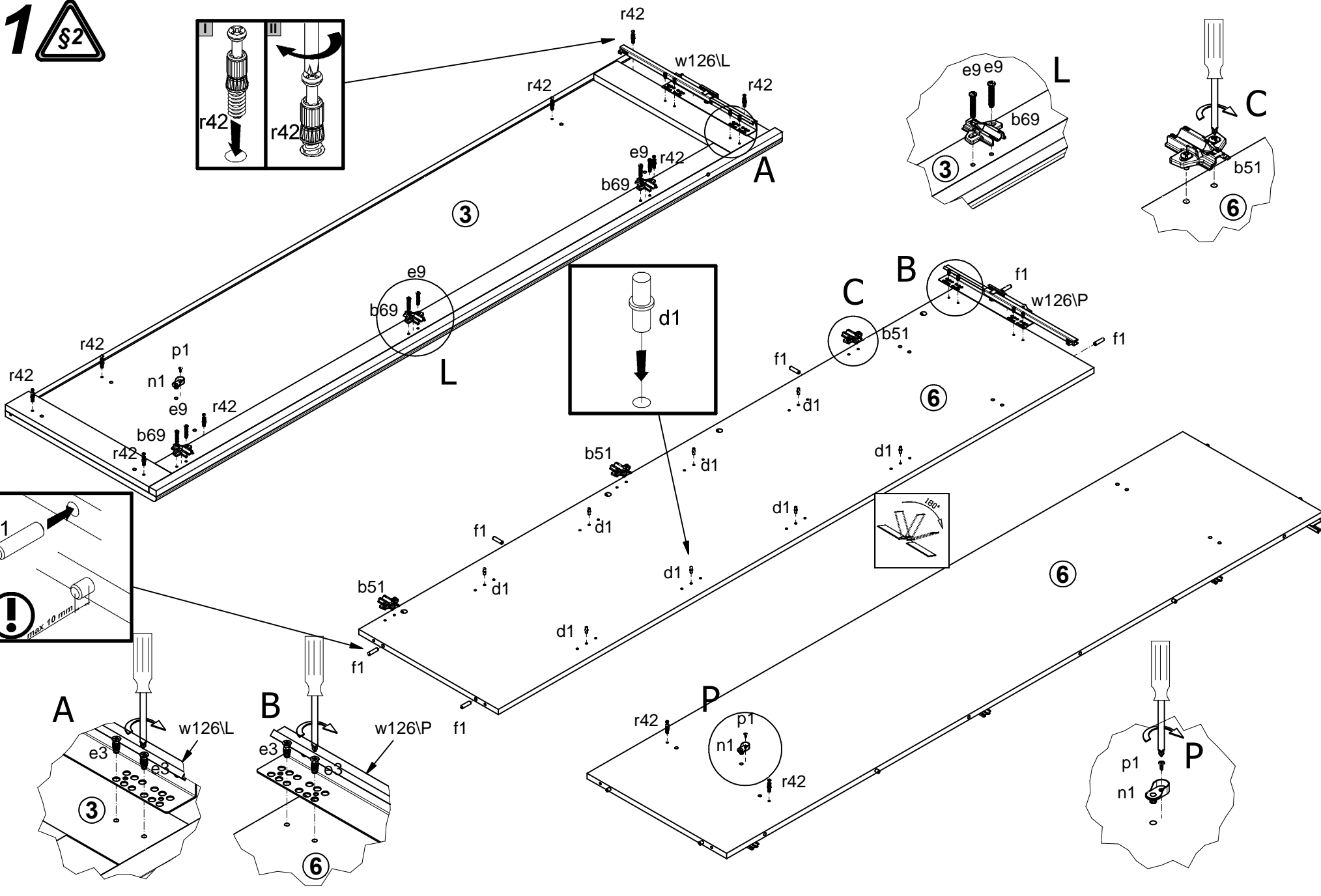
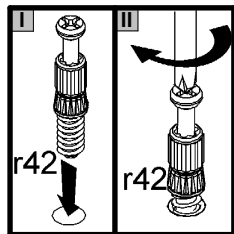


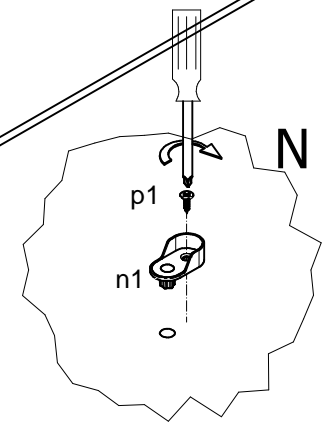
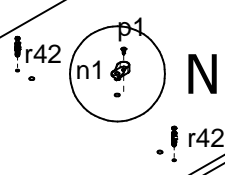
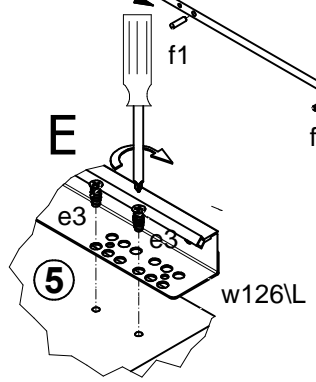
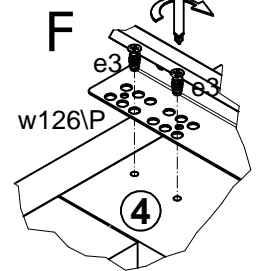
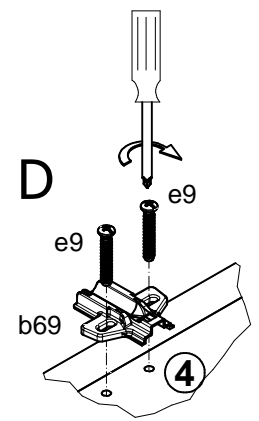
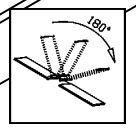
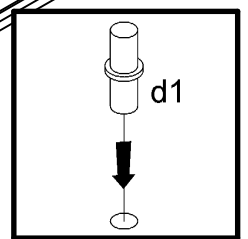
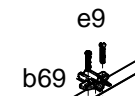
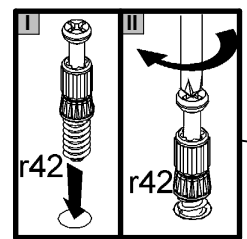
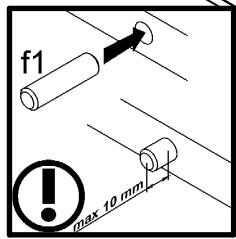
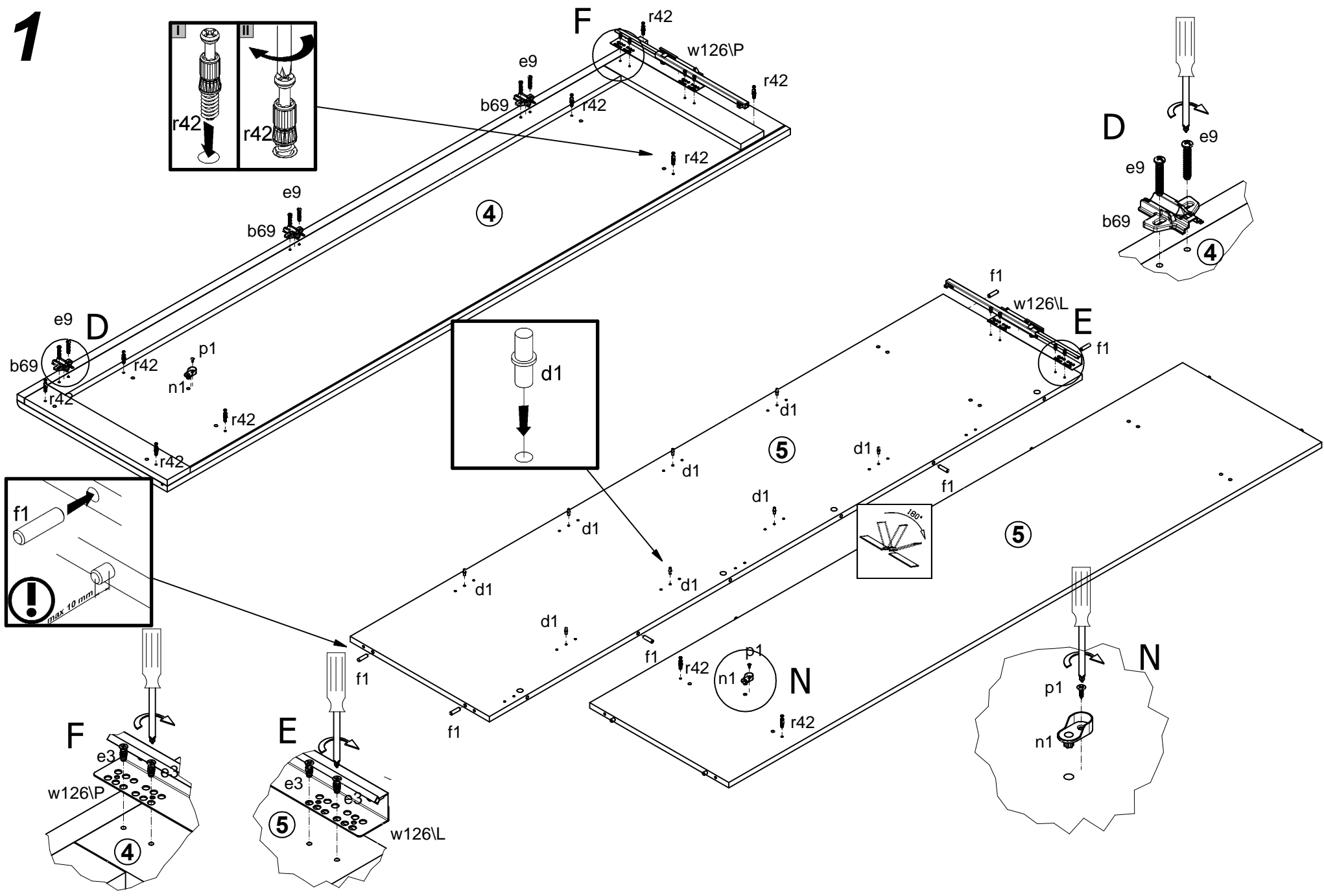
A	B	C (mm)		D
1	S221-007	250	500	1/1
2	S221-008	1800	500	1/1
3	S221-111	2160	520	1/1
4	S221-112	2160	520	1/1
5	S221-113	2055	482	1/1
6	S221-114	2055	482	1/1
7	S221-115	263,5	482	1/1
8	S221-310	1548	499	1/1
9	S221-311	1584	499	1/1
10	S221-312	537,5	482	1/1
11	S221-313	537,5	482	1/1
12	S221-314	477	482	1/1
13	S221-315	477	470	1/1
14	S221-316	537,5	482	1/1
15	S221-317	537,5	482	1/1
16	S221-531	46	100	1/1
17	S221-410	476	80	1/1
18	S221-901	2085	491	1/1
19	S221-9906	2085	551	1/1
20	S221-9907	2085	551	1/1
21	WSP-933	447	458	1/1
22	WSQ5-509	450	160	1/1
23	WSQ5-510	450	160	1/1
24	WTQ-5031	437	147	1/1
25	dr-531	531	22	1/1
26	S221-408	2055	60	1/1



9x a109	3x b51	6x D1.5 b69	16x Ø5x17 mm d1	10x Ø7x50 mm e1	24x Ø6x13 mm e3	12x Ø6.3x33 mm e9	48x Ø8x30 mm f1	4x Ø8x50 mm f6	12x Ø6.5x40 mm f25	4x k1	2x M6/Ø14x14 mm k3912	2x M6/22 mm k3913
65x l1	16x l2	4x n1	22x 20x13x3.5 l n108	4x Ø3.5x13 mm p1	3x Ø3.5x16 mm p25	3x Ø3.5x10 mm p35	12x Ø3.5x16 mm p38	18x Ø3.5x15 mm p51	28x Ø2.9x16 mm p55	42x Ø15x12 mm #16 r1	12x Ø12x10.5 mm #12 r15	46x r42
4x 36/20 mm r28	14x Ø16 s2	6x Ø5 s4	12x Ø12 s34	3x 450 mm t38	3x 450 mm W126\P	3x 450 mm W126\L	1x n26\l	1x Ø3.5x16 mm p38	4x silikon o21	1x z1		

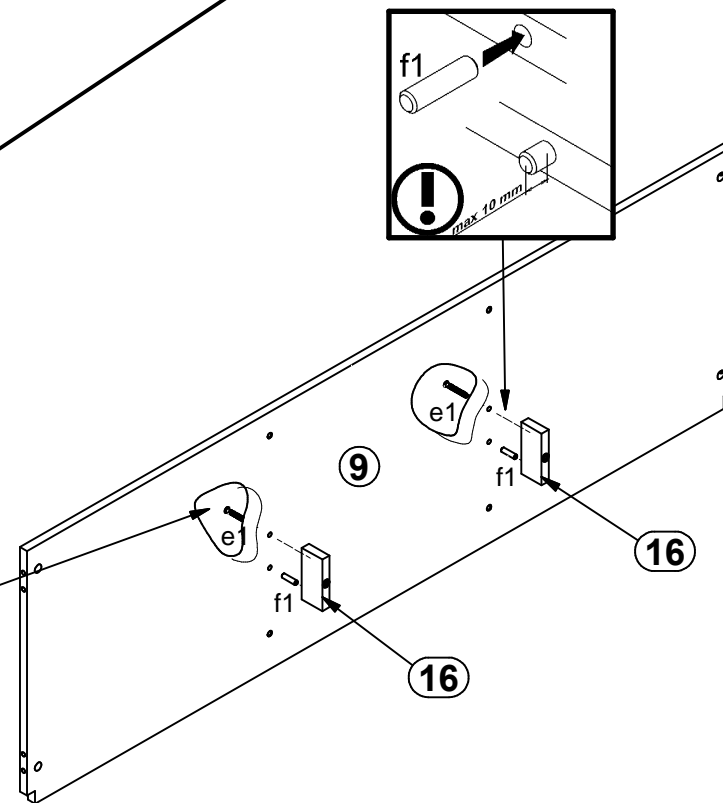
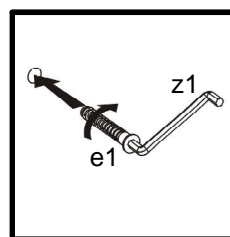
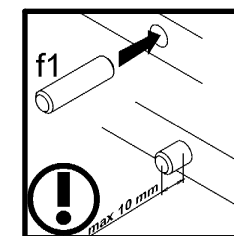
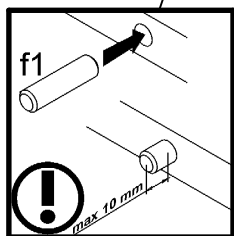
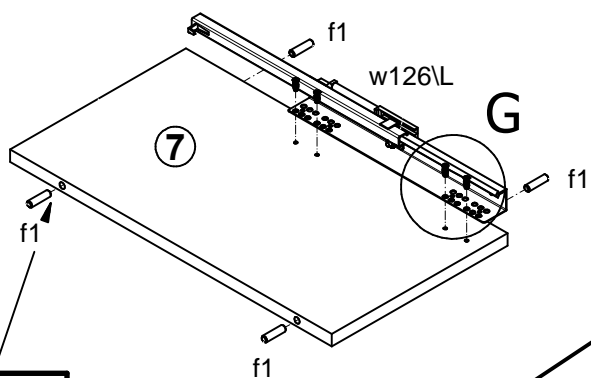
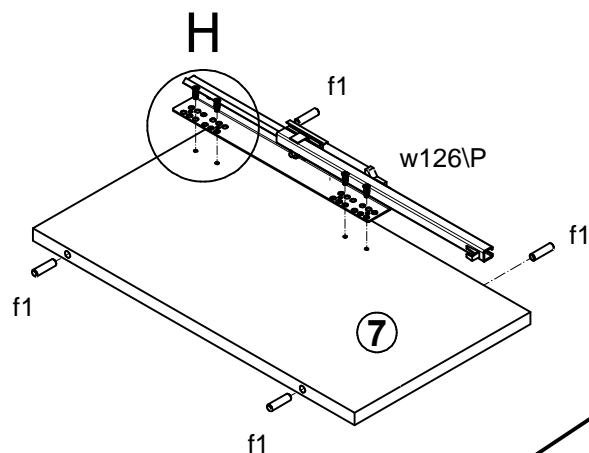
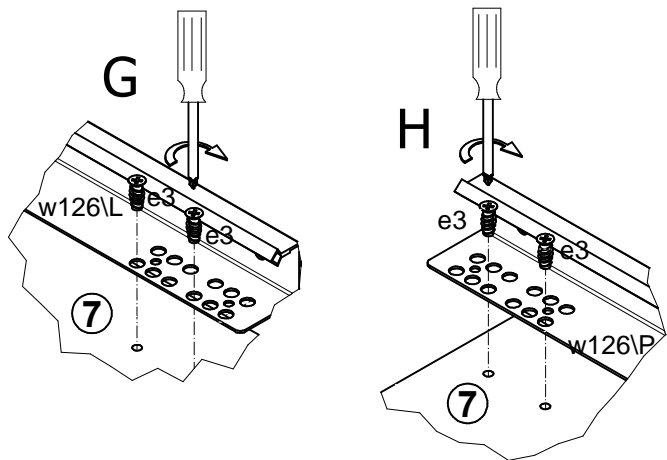


1

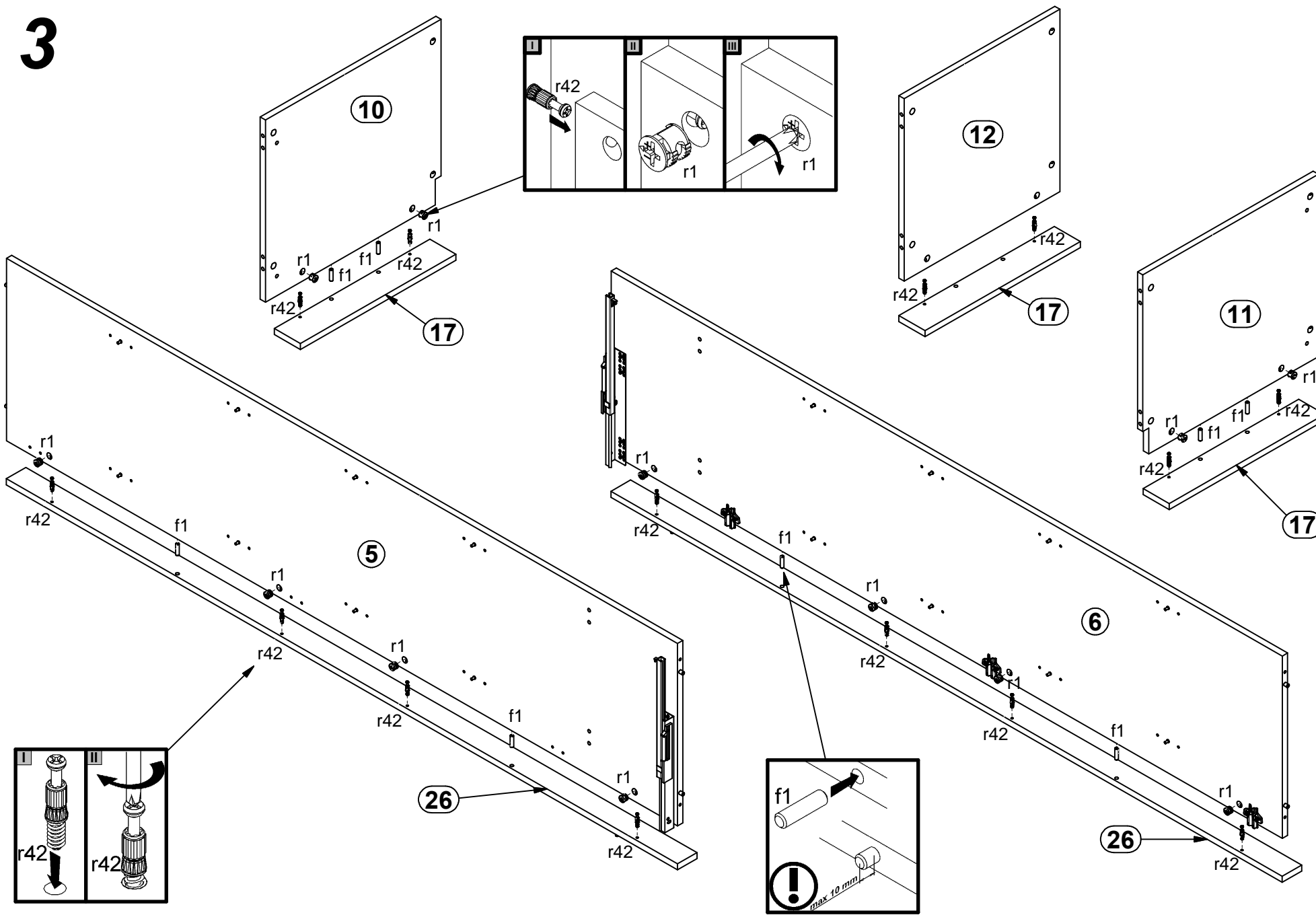


1

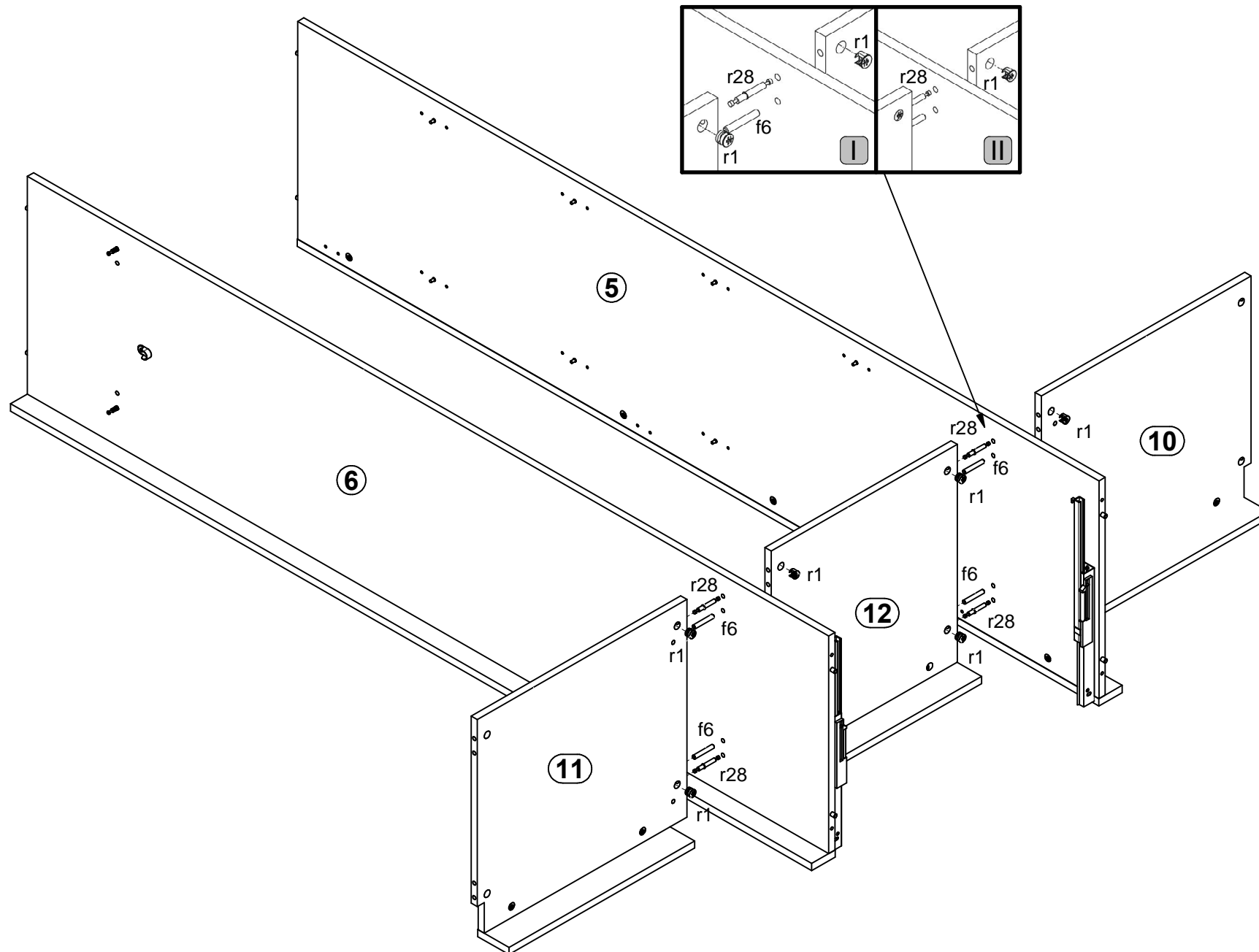
2



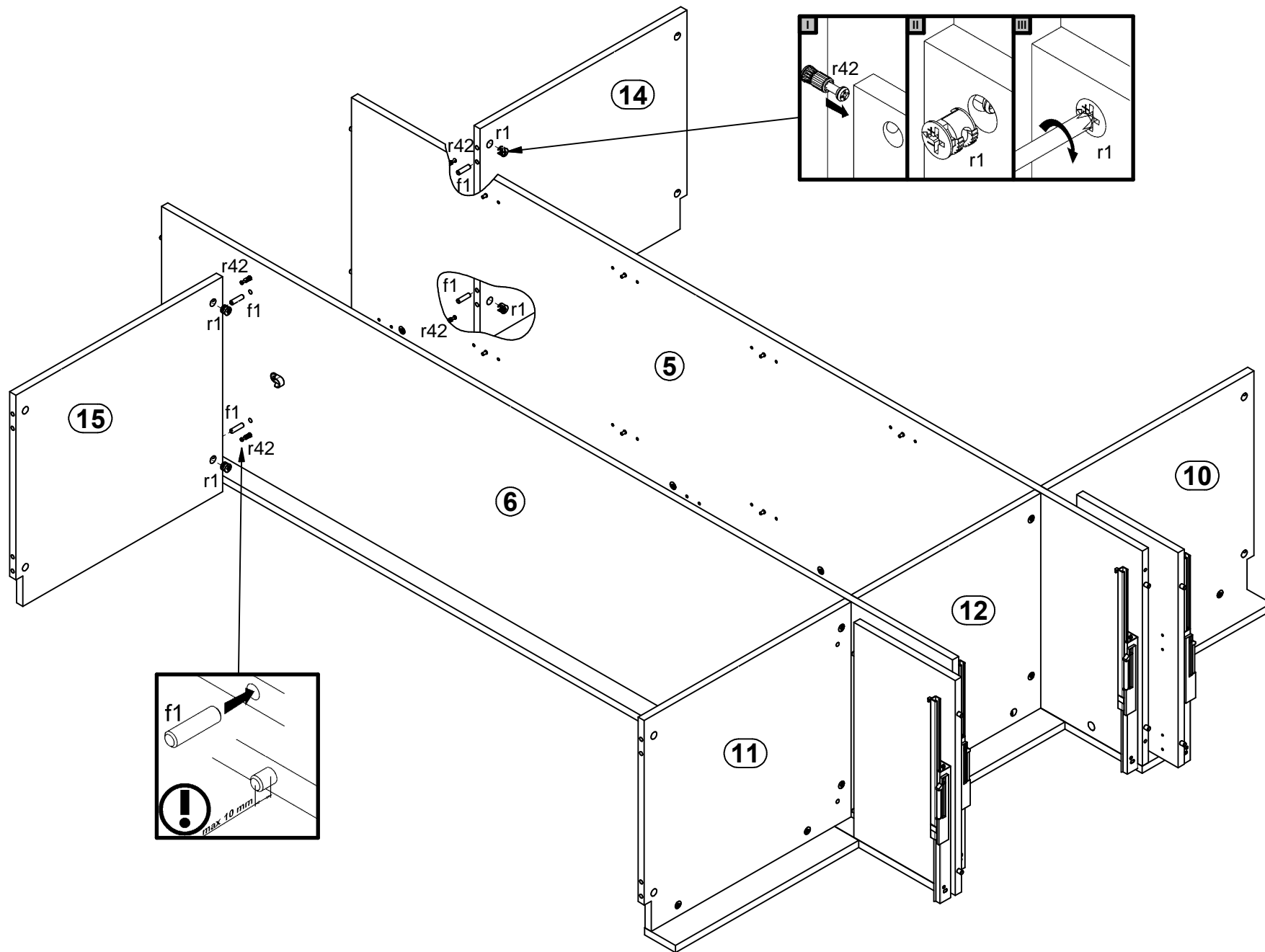
3



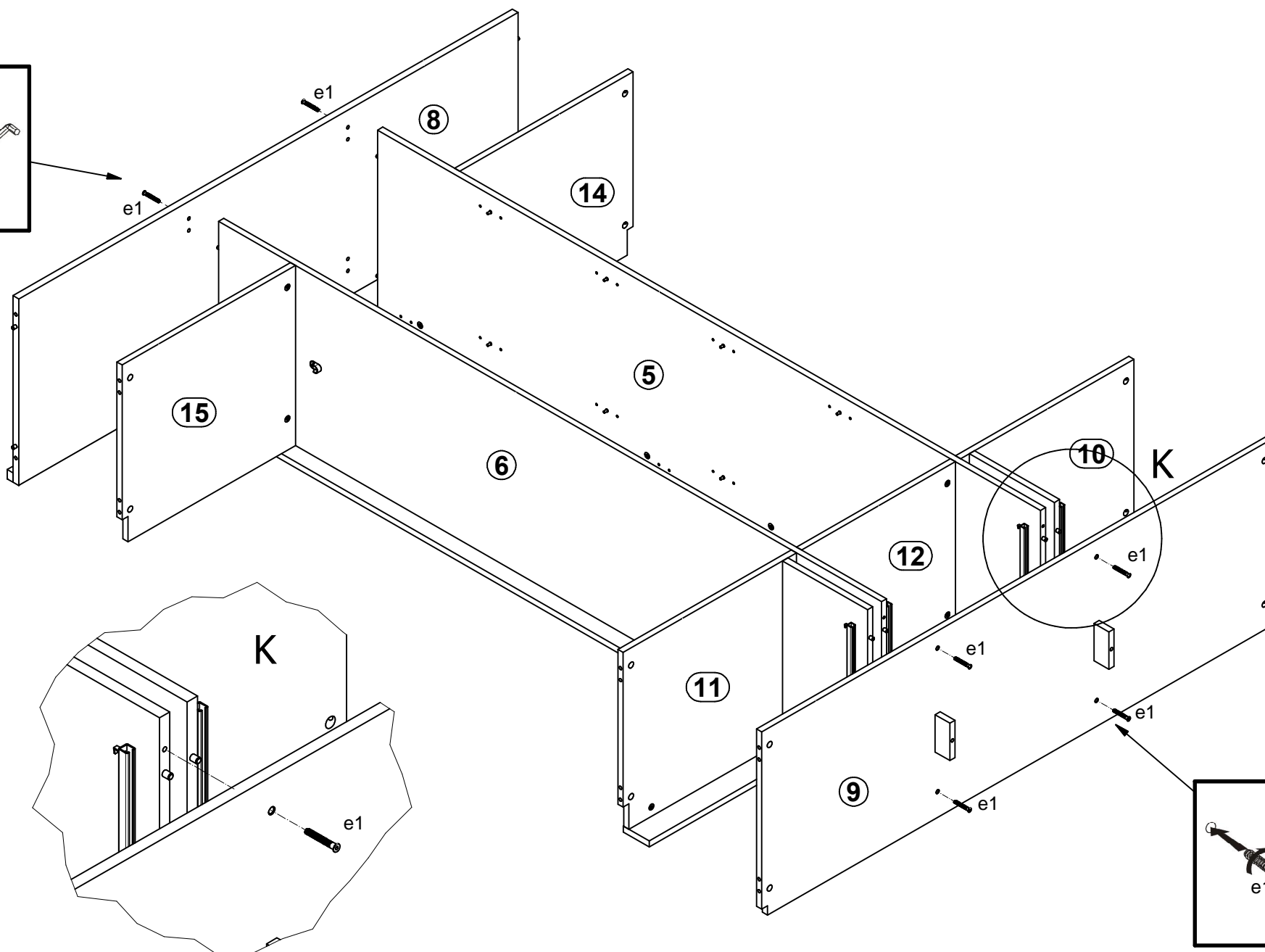
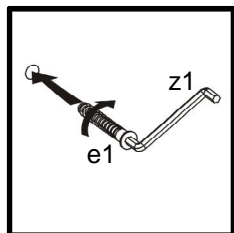
4



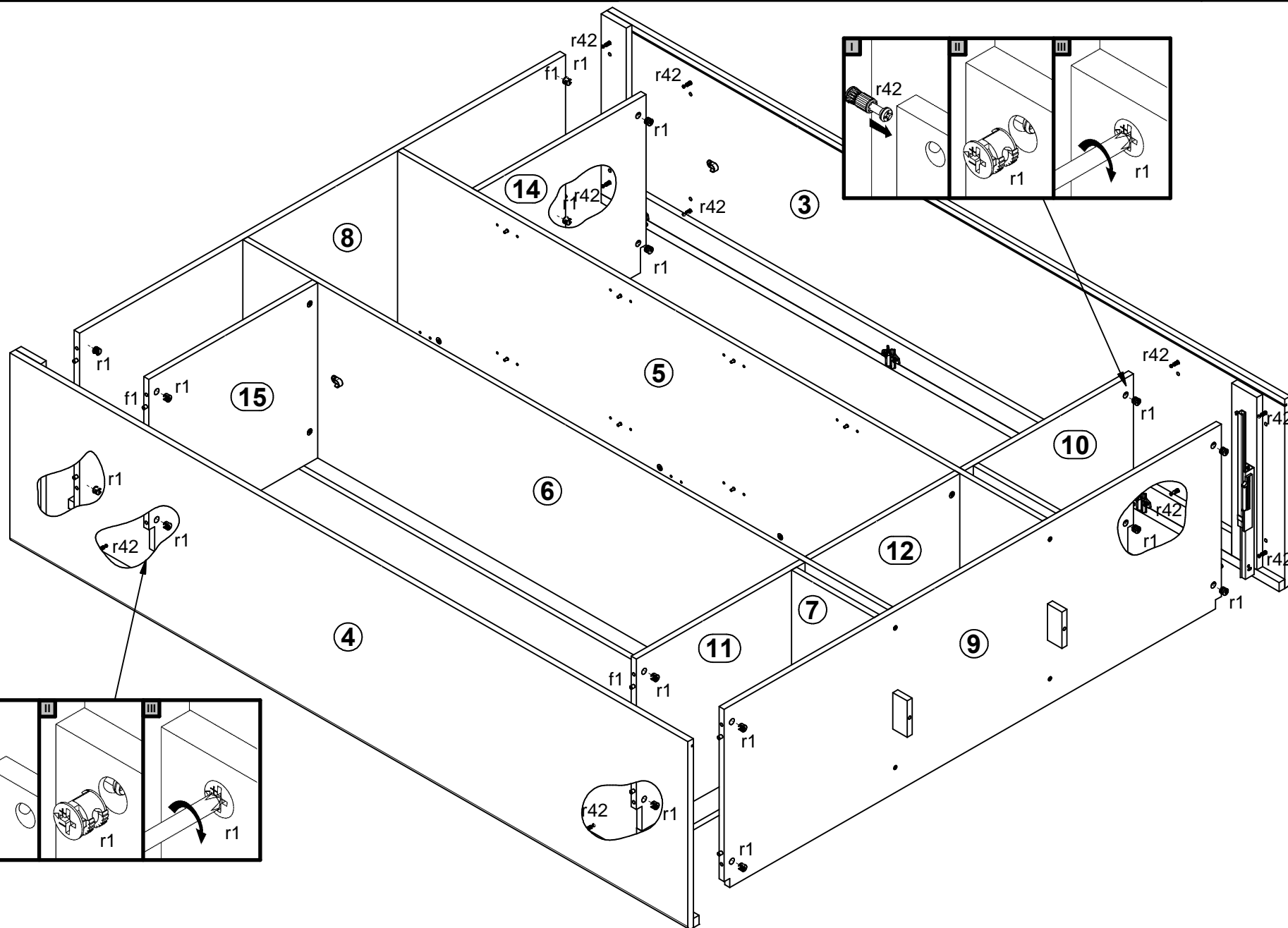
5



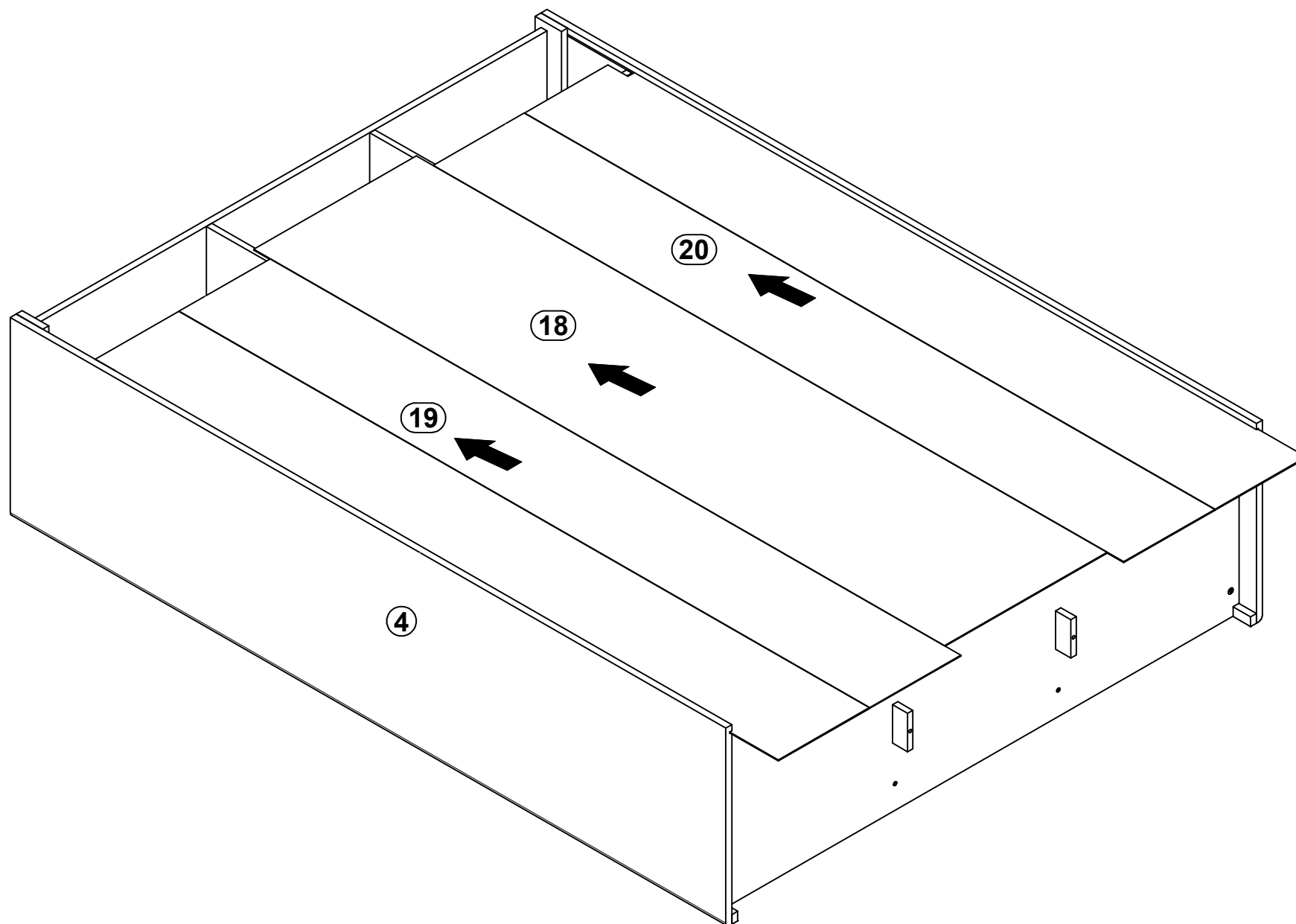
6



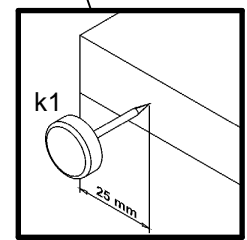
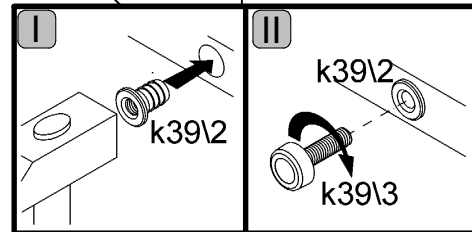
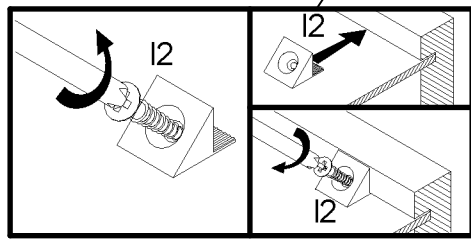
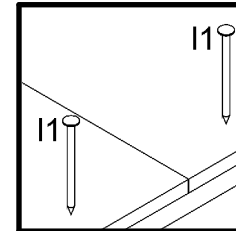
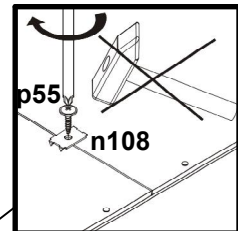
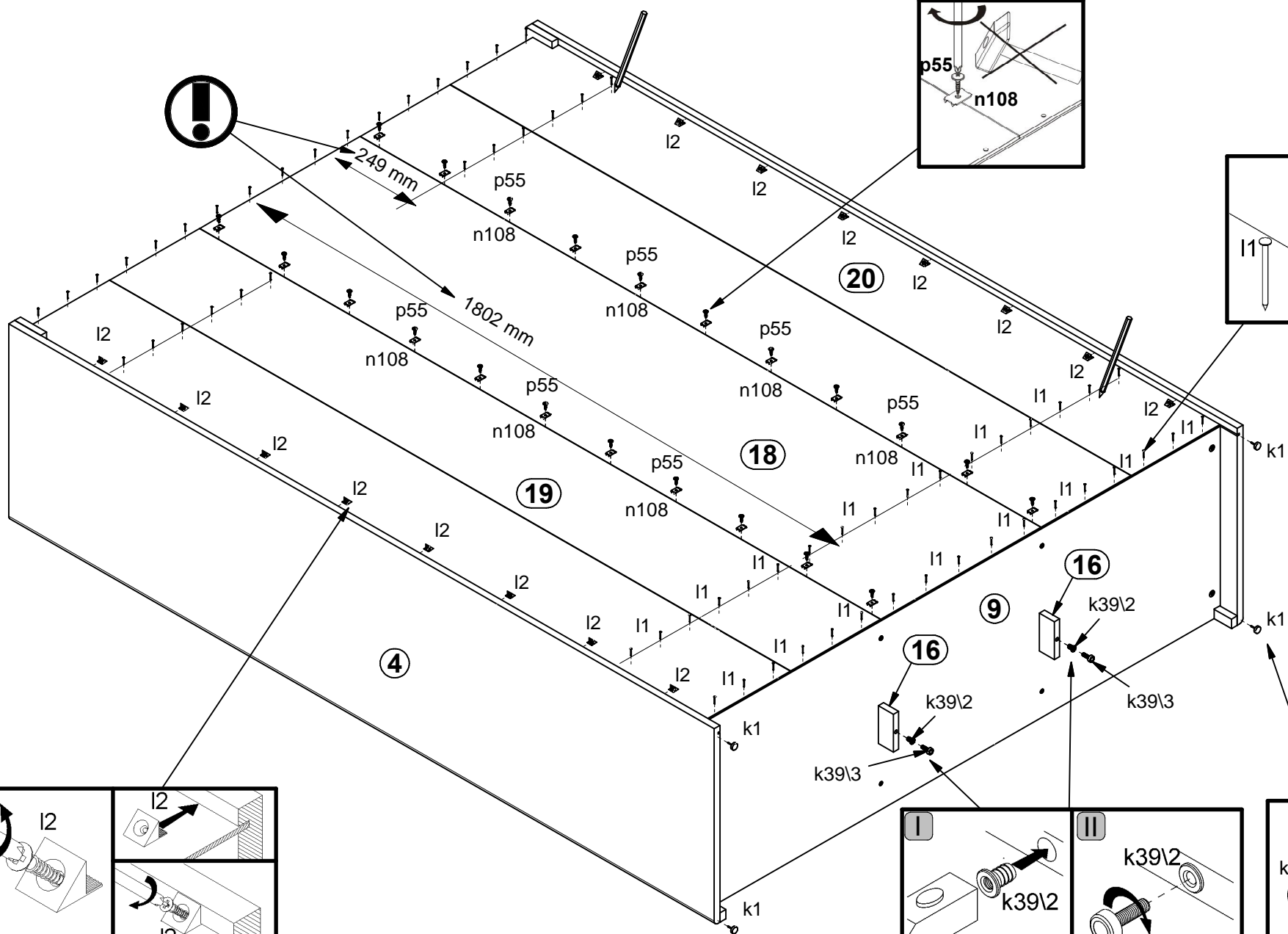
7



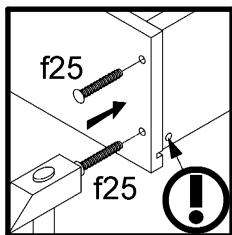
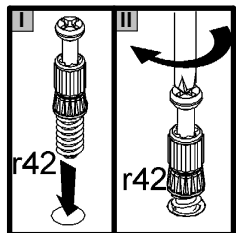
8



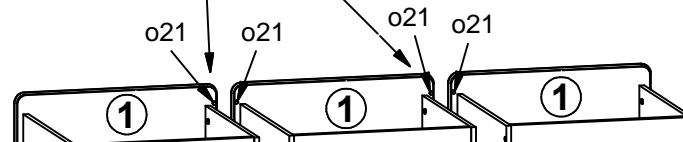
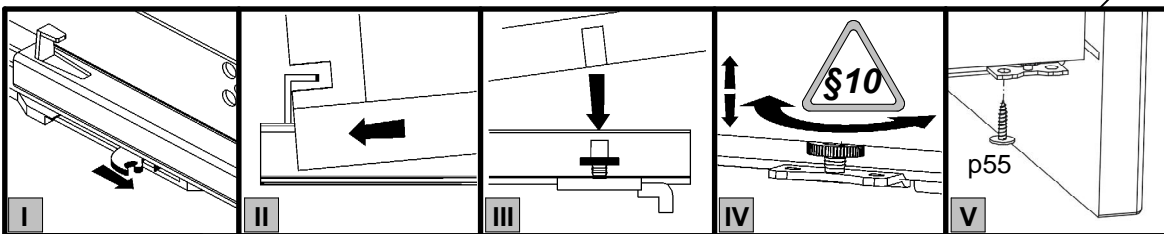
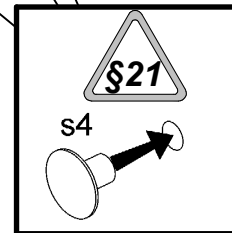
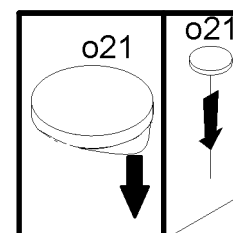
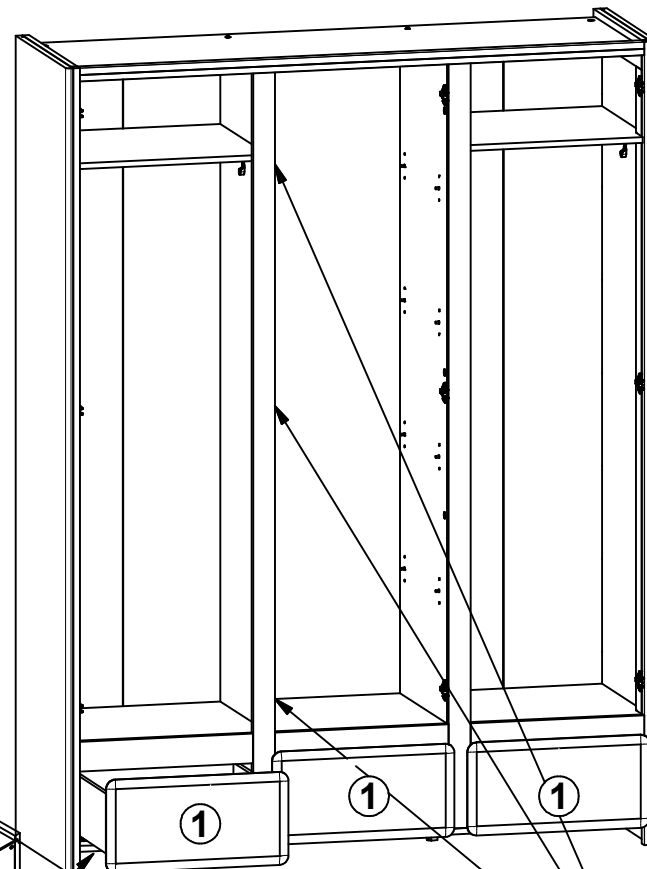
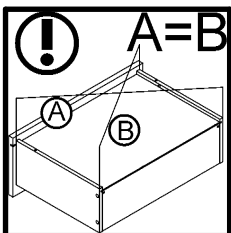
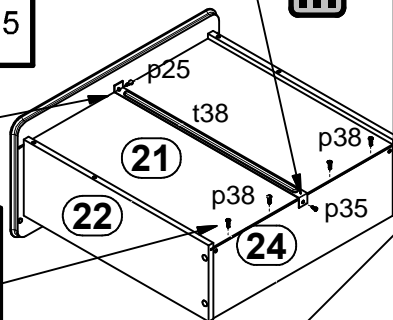
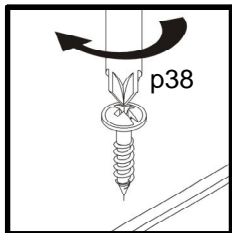
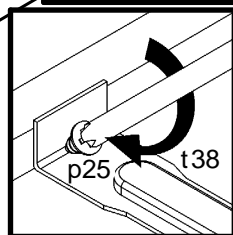
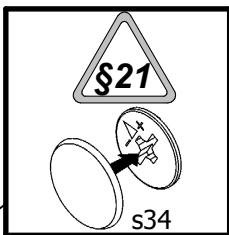
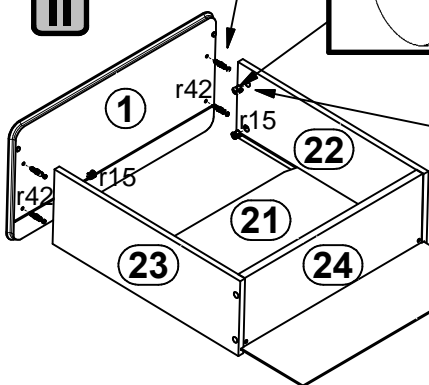
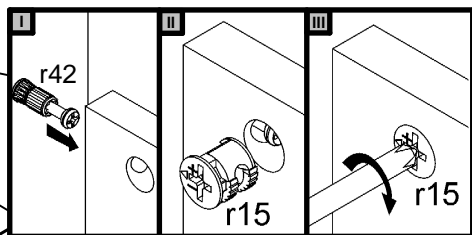
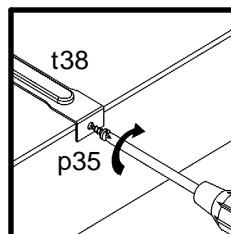
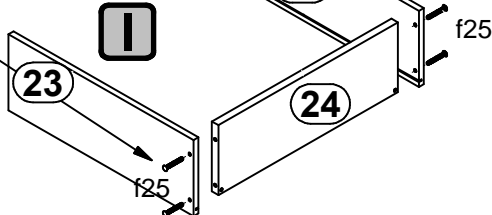
9



10



11



12

