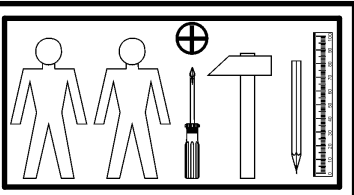
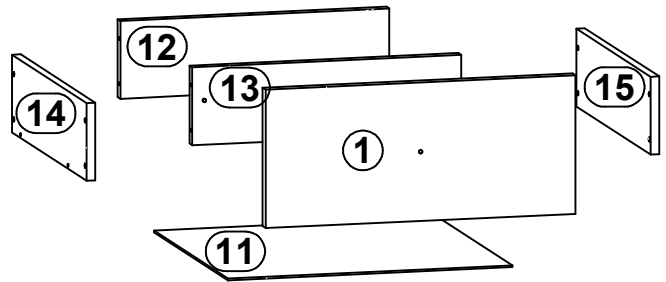
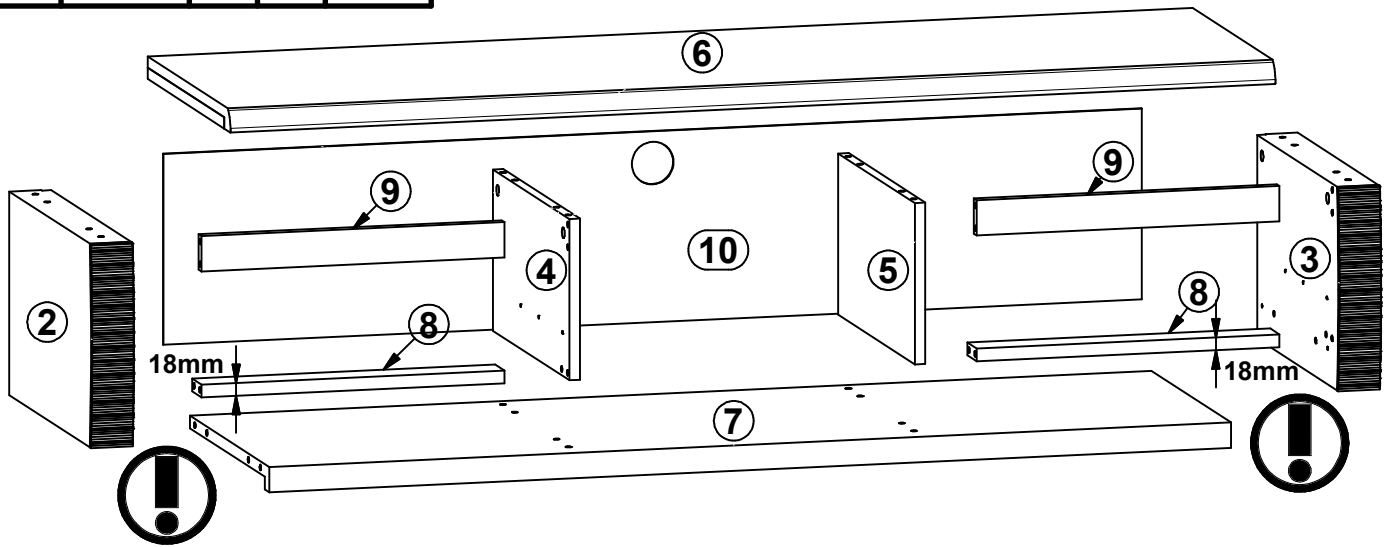
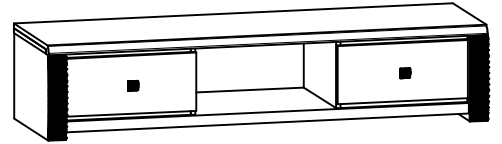


SENEGAL

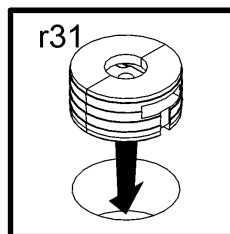
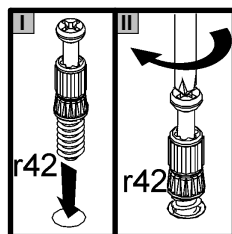
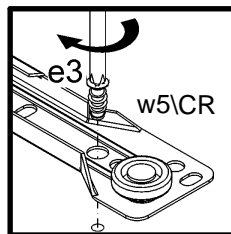
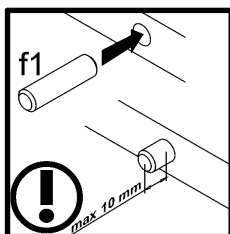
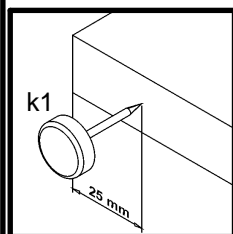
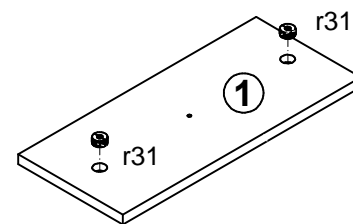
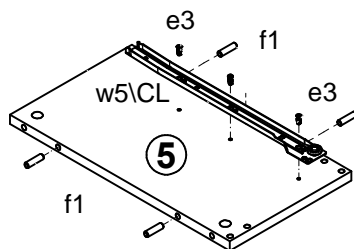
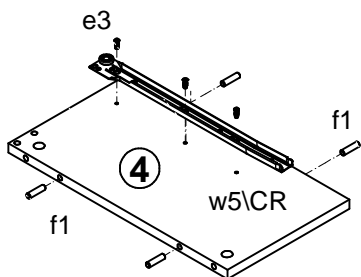
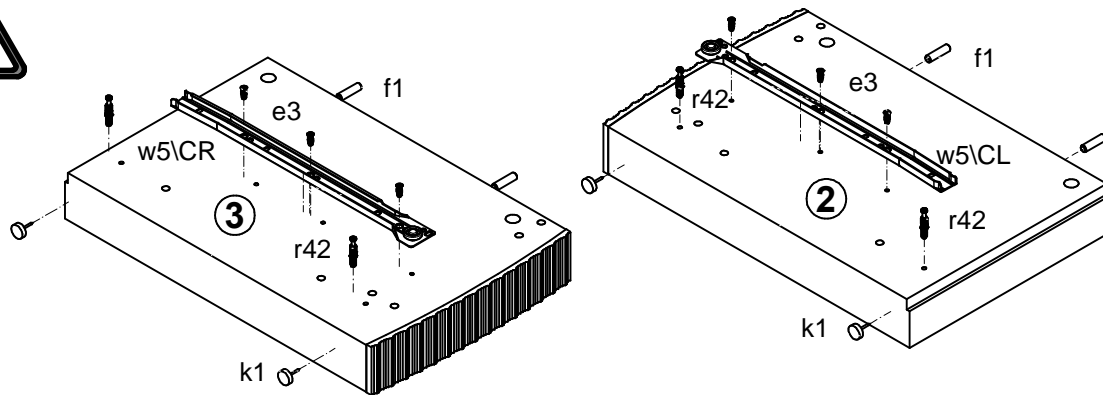
S175-C/RTV2S

A	B	C	D
1	S175-014	446	196
2	S175-127	288	449
3	S175-128	288	449
4	S175-129	228	411
5	S175-130	228	411
6	S175-209	1504	447
7	S175-319	1384	426
8	S175-403	436	50
9	S175-405	436	50
10	S175-918	270	1408
11	S175-919	409	398
12	ZT3-509	387	110
13	ZT3-510	387	110
14	ZT3-517	400	110
15	ZT3-518	400	110

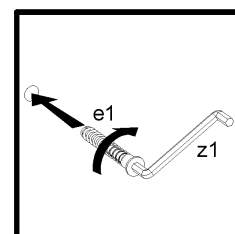
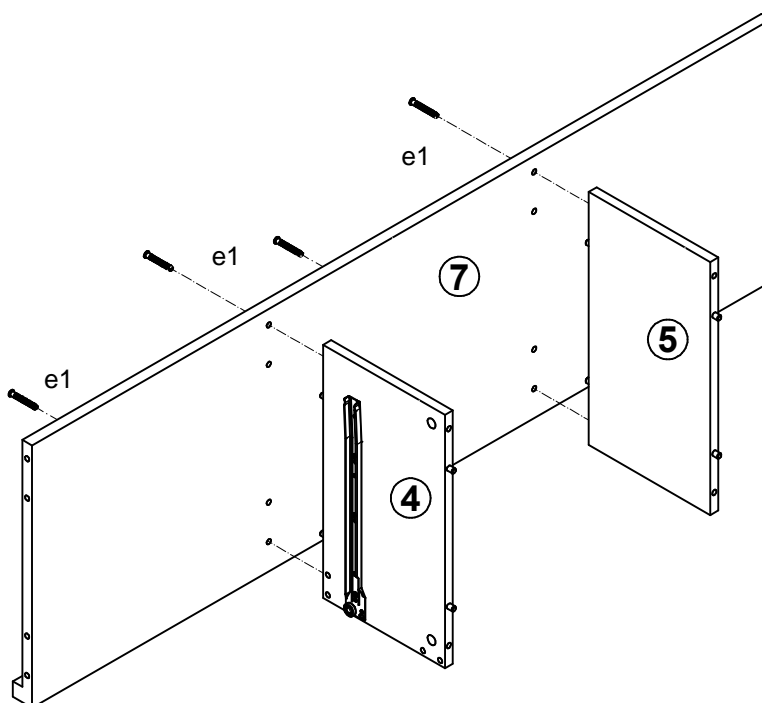


2x c295V1	2x c295V2	4x φ7x50 mm e1	12x φ6x13 mm e3	16x Ø5x50 mm e32	32x φ8x30 mm f1	2x M4x22 mm j60	4x M4x25 mm j8	4x k1	
2x k2V1	2x k2V2	40x l1	16x Ø3.5x16 mm p38	12x φ15x12mm #16 r1	4x Ø21x10 mm r31	12x r42	2x 400 mm w5ICL	2x 400 mm w5ICR	
2x 400 mm w5IDL	2x 400 mm w5IDR	1x z1	8x φ5x9 mm e19						

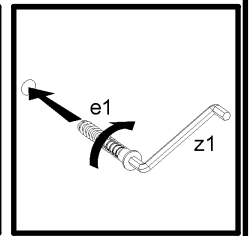
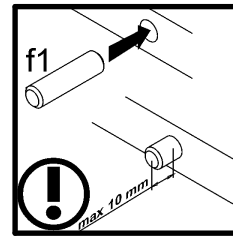
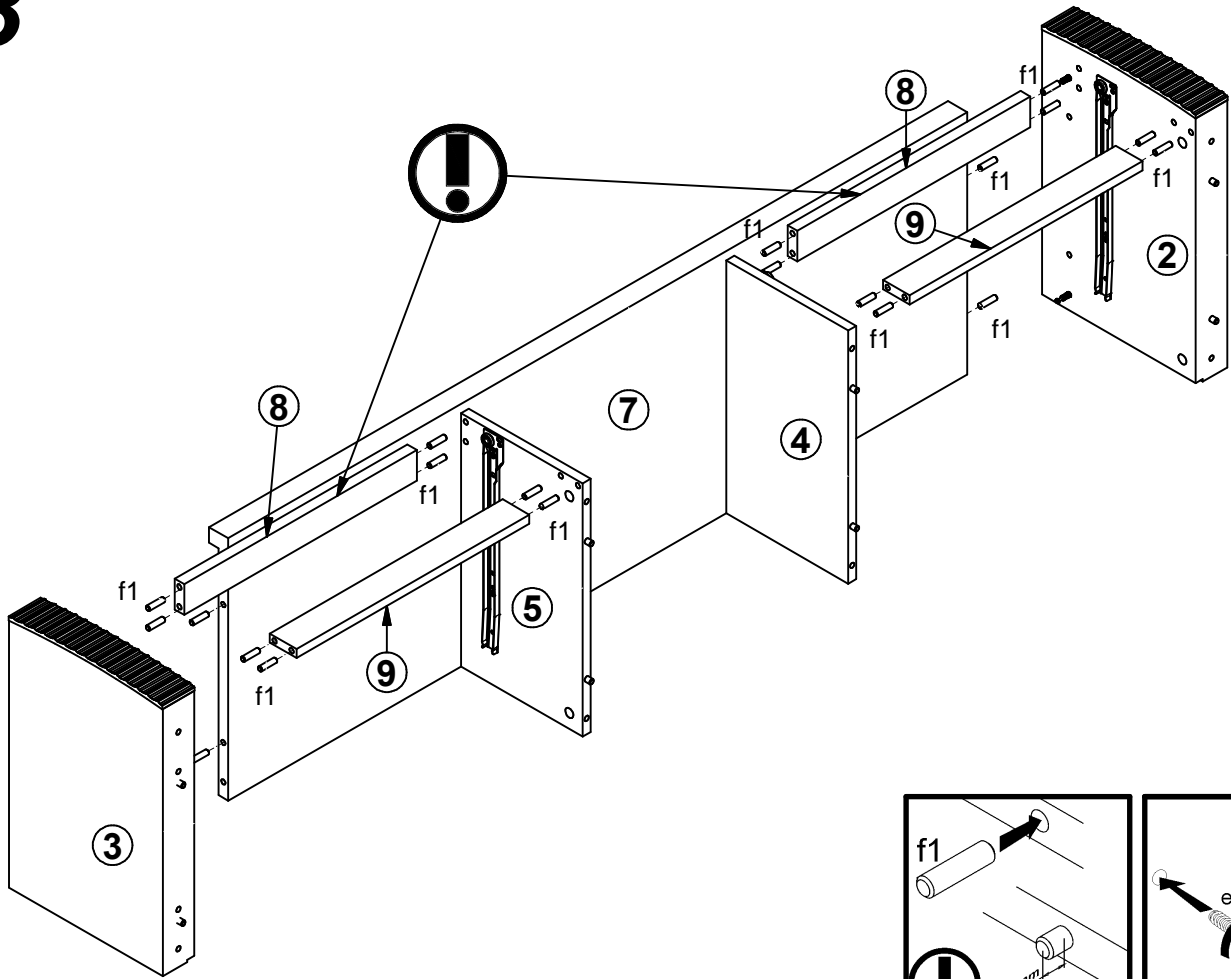
1



2



3



4

