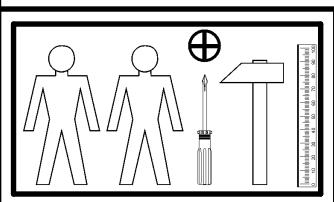
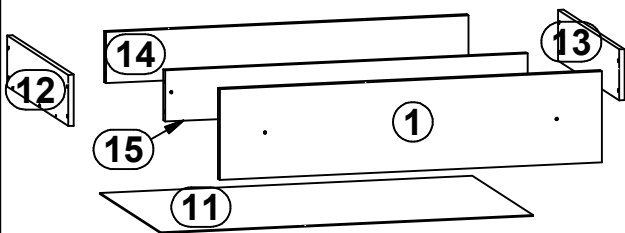
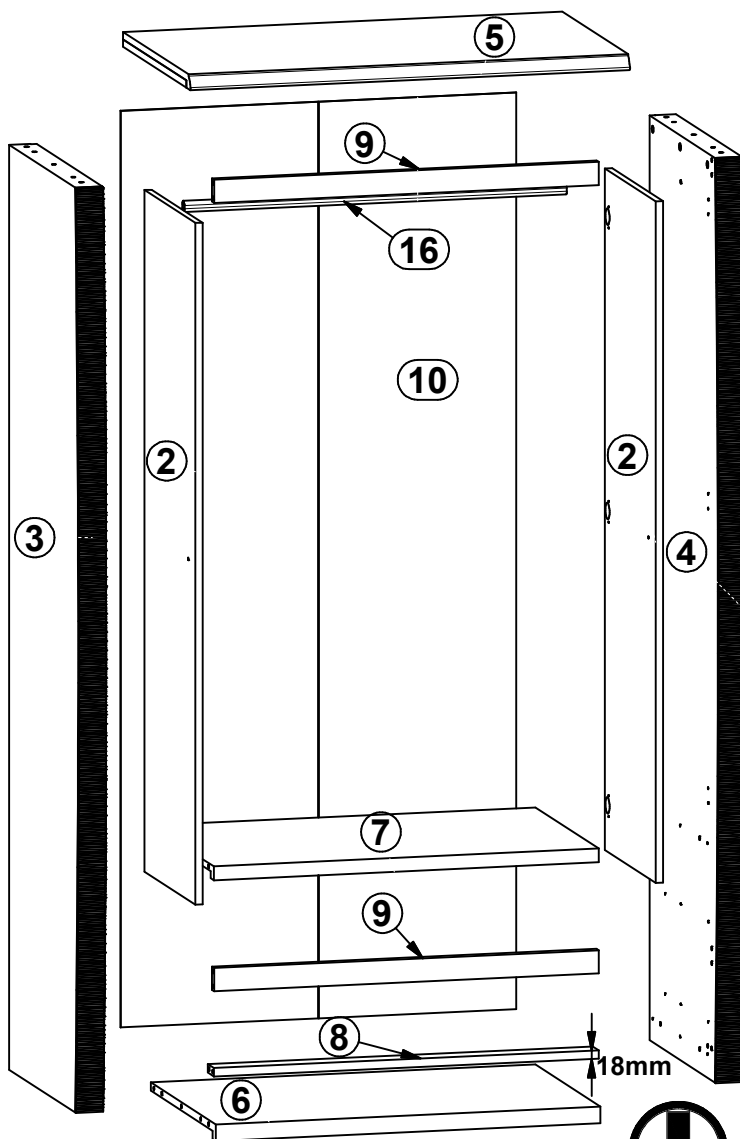
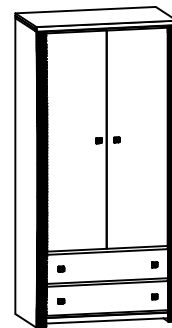


# SENEGAL

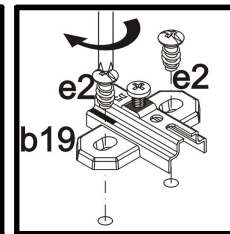
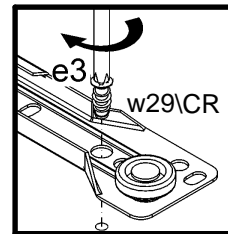
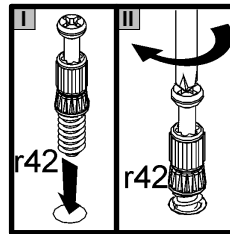
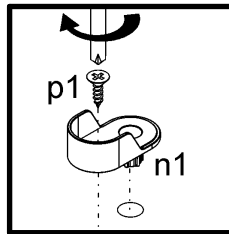
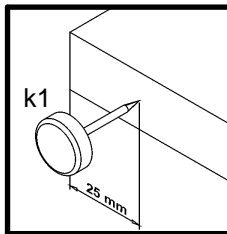
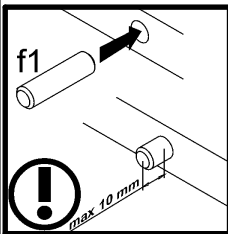
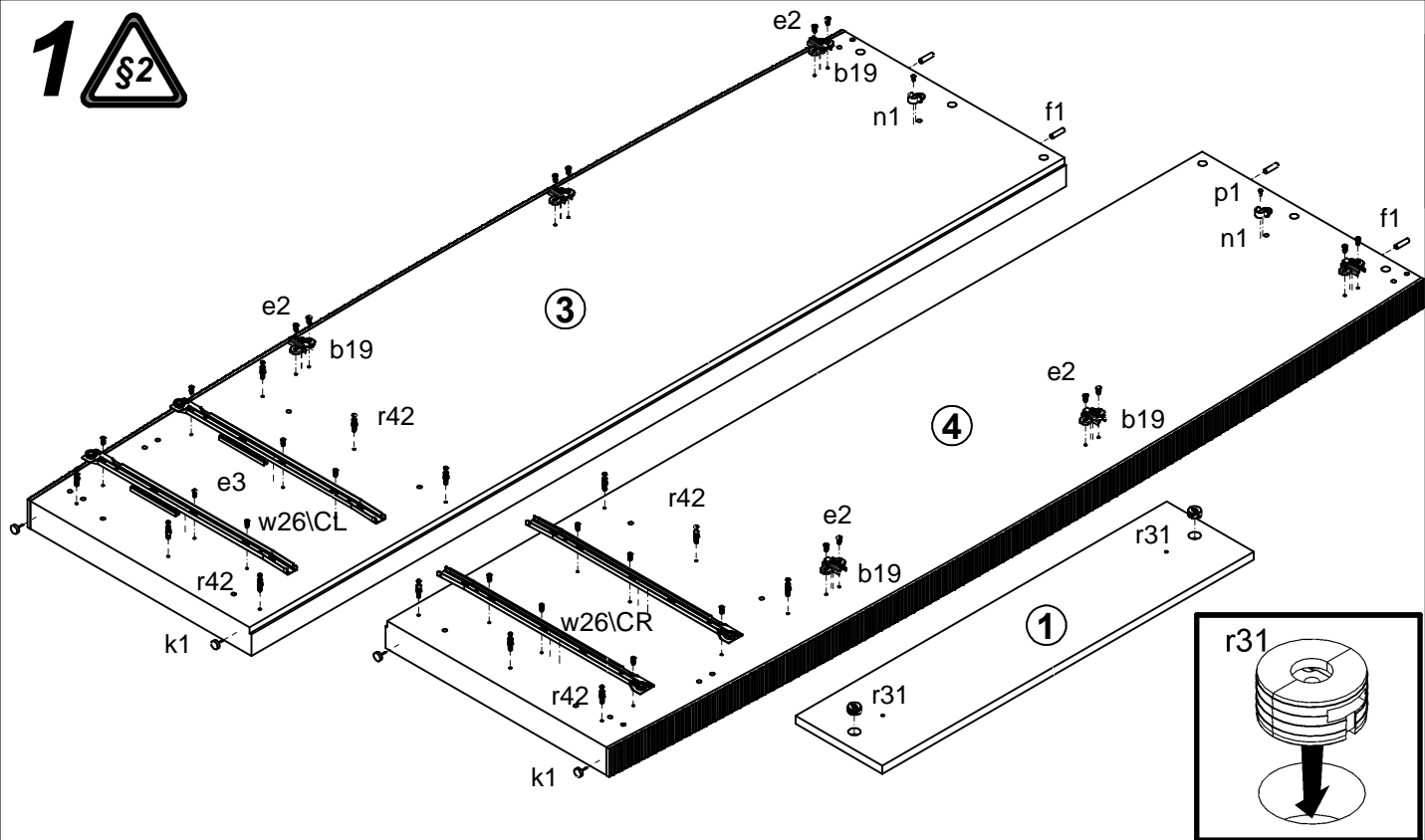
# S175-C\SZF2D2S

A	B	C	D	A	B	C	D		
1	S175-002	838	196	4/4	10	S175-903	1974	867	1/4
2	S175-003	1468	417	4/4	11	S175-904	817	498	2/4
3	S175-103	1992	573	1/4	12	ZT3-505	500	110	3/4
4	S175-104	1992	573	1/4	13	ZT3-506	500	110	3/4
5	S175-202	964	553	2/4	14	ZT3-507	795	110	3/4
6	S175-302	844	532	2/4	15	ZT3-508	795	110	3/4
7	S175-303	844	517	2/4	16	dr-839	839	22	2/4
8	S175-401	844	50	2/4					
9	S175-408	844	50	2/4					

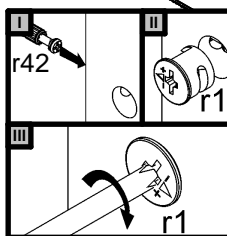
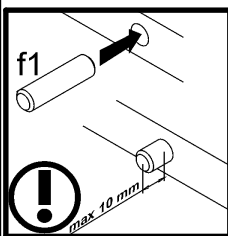
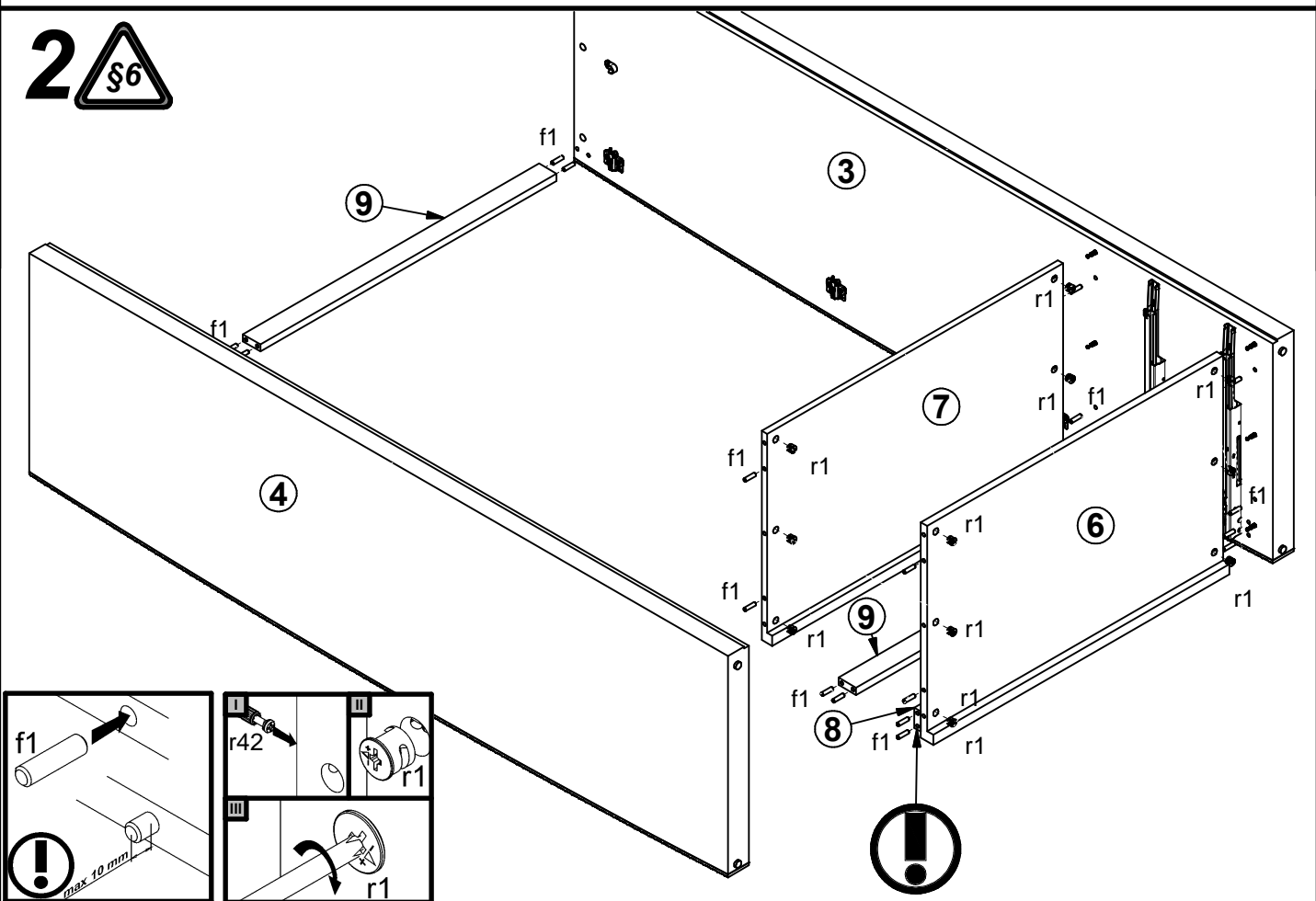


6x  a43	6x  b19	6x  c295v1	6x  c295v2	12x  Ø5x9 mm e19	12x  Ø6.3x13 mm e2	12x  Ø6x13 mm e3	16x  Ø5x50 mm e32	24x  Ø8x30 mm f1
6x  M4x22 mm j60	4x  M4x25 mm j8	4x  k1	70x  l1	2x  n1	2x  Ø3.5x13 mm p1	2x  Ø3.5x16 mm p25	2x  Ø3.5x10 mm p35	16x  Ø3.5x16 mm p38
12x  Ø3.5x15 mm p51	18x  Ø15x12 mm #16 r1	4x  Ø21x10 mm r31	18x  r42	2x  500 mm t34	2x  500 mm w26\CL	2x  500 mm w26\CR	2x  500 mm w26\DL	2x  500 mm w26\DR
1x  n26\1	1x  Ø3.5x16 mm p38	6x  Ø15 s51						

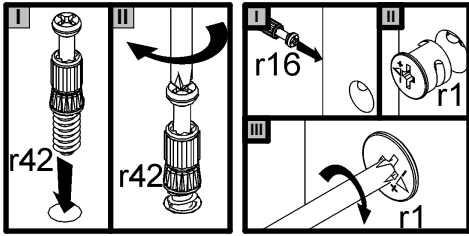
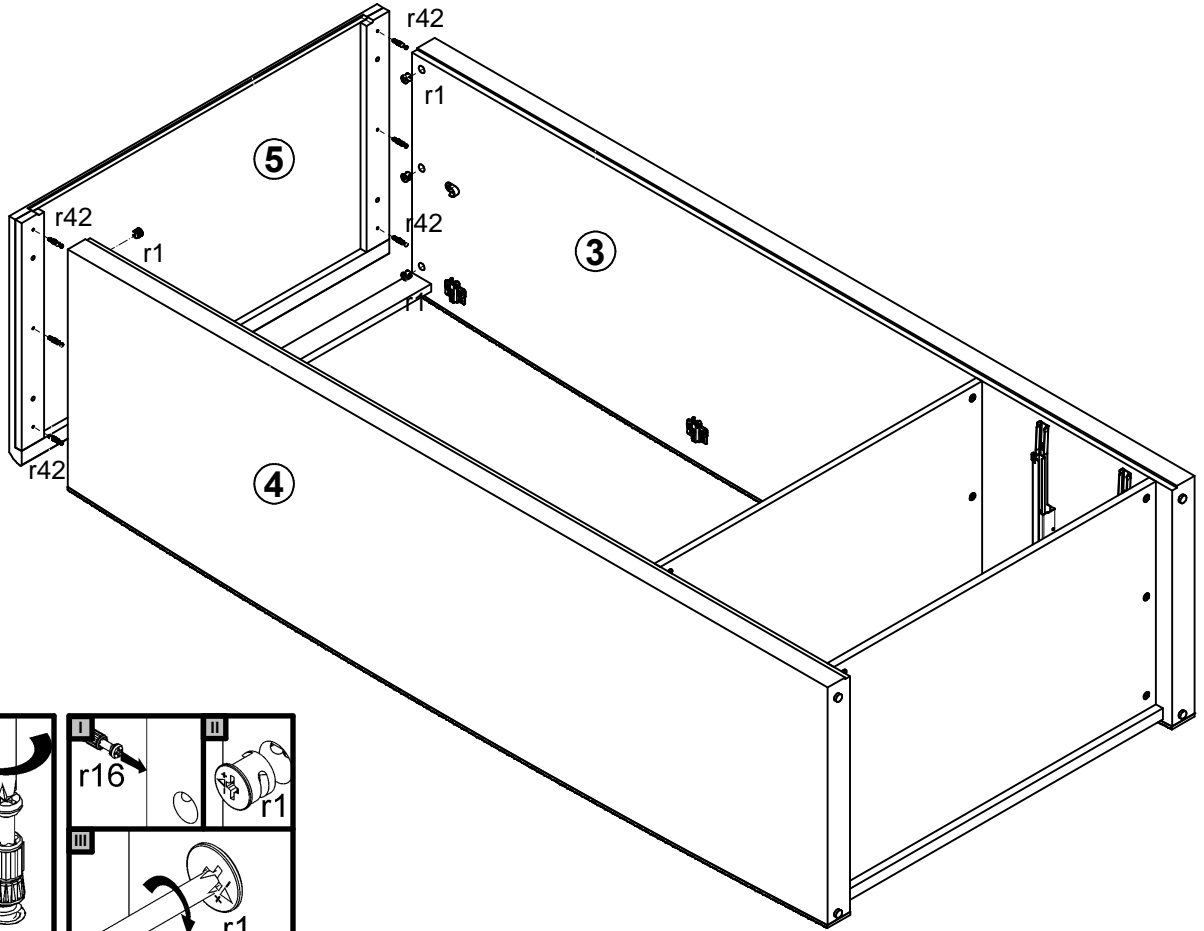
# 1



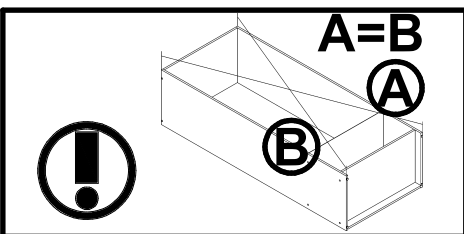
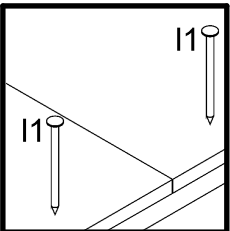
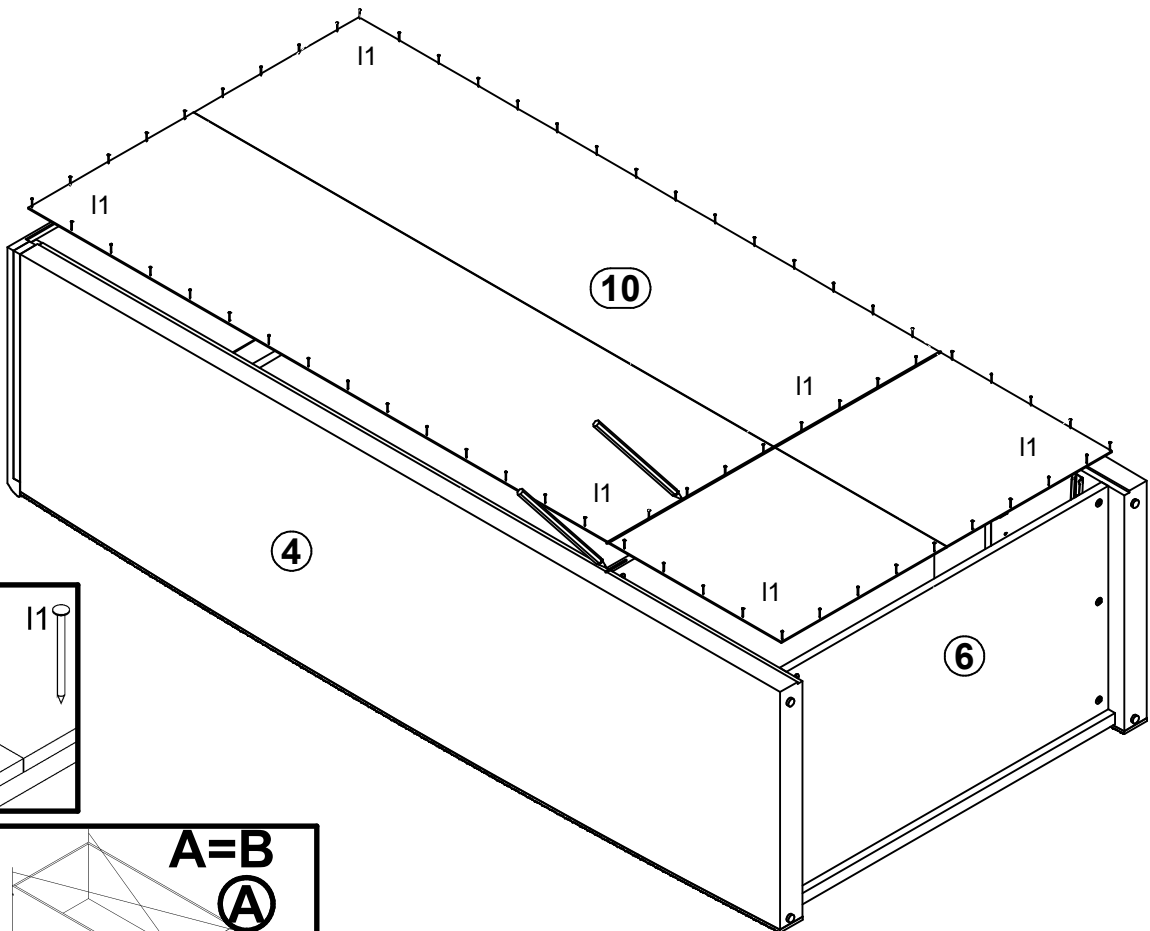
# 2



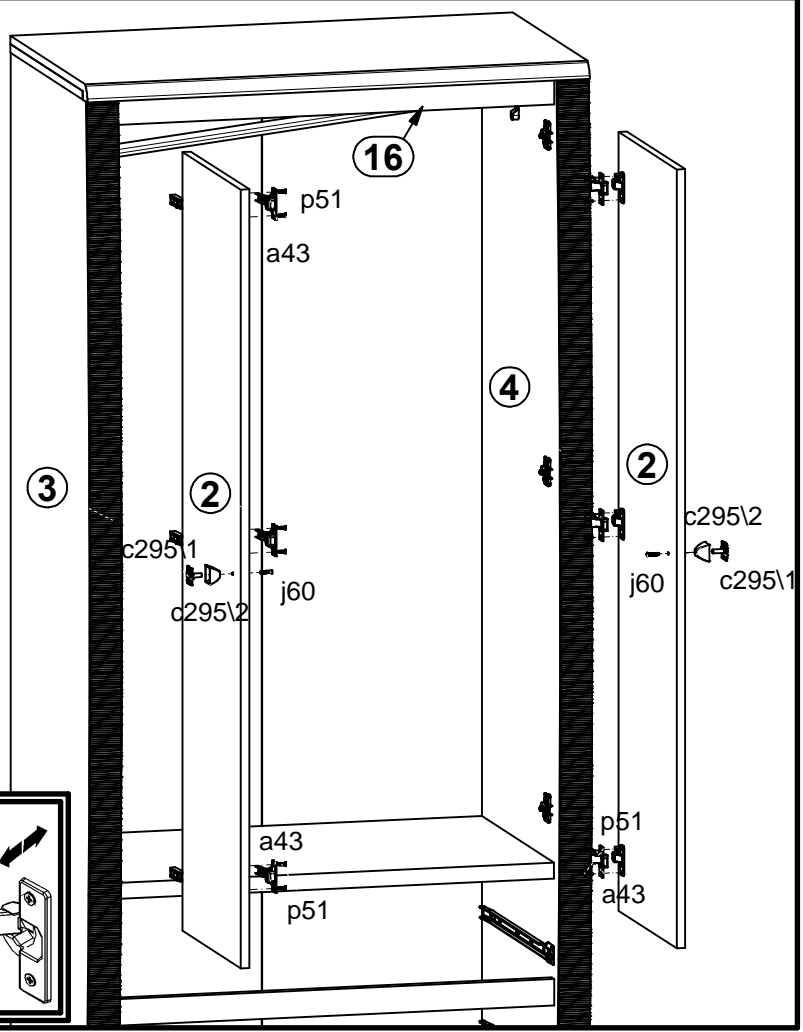
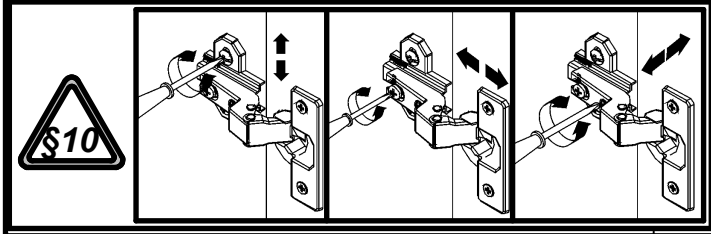
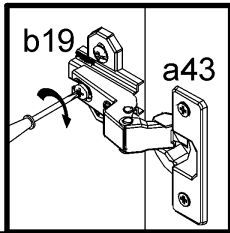
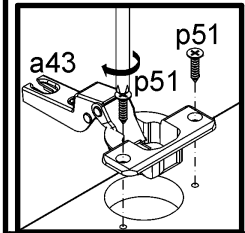
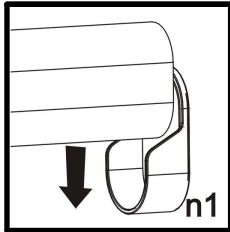
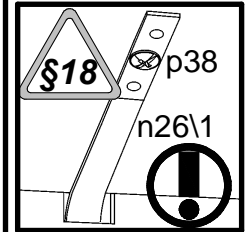
# 3



# 4



# 5



# 6

