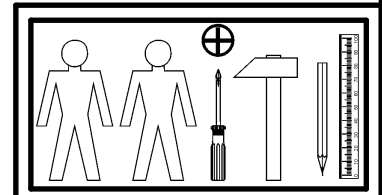
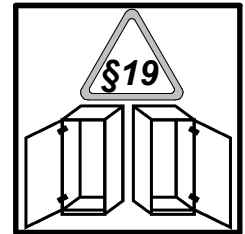
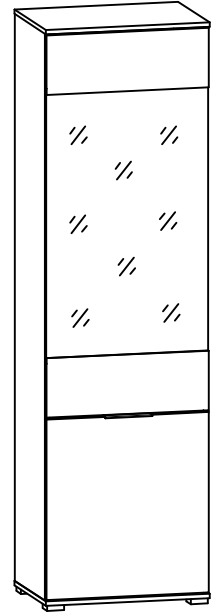
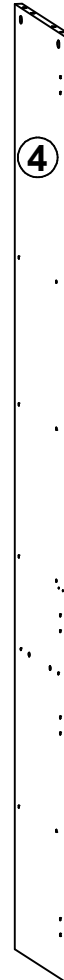
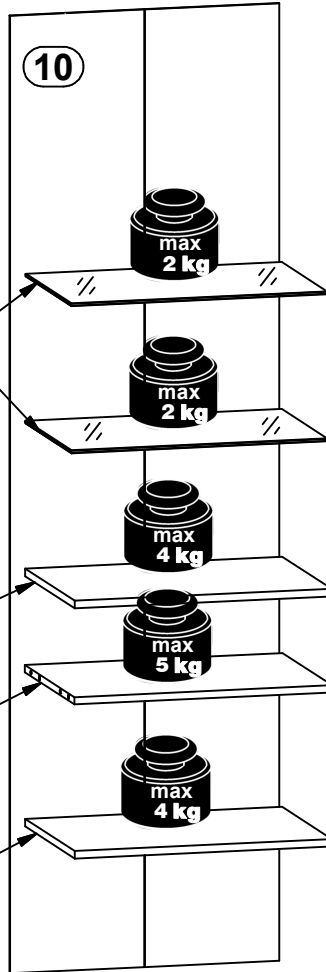
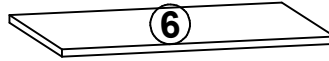
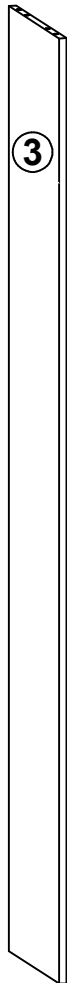
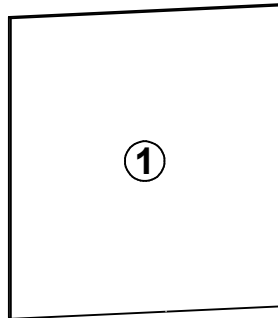
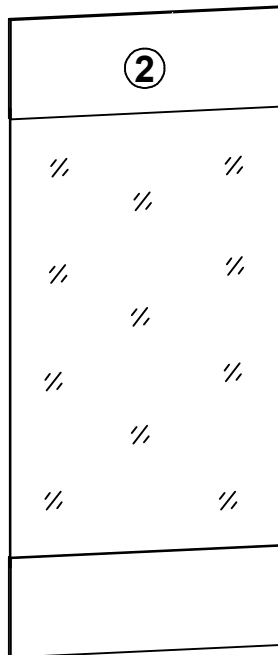
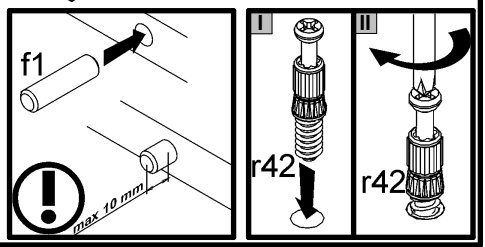
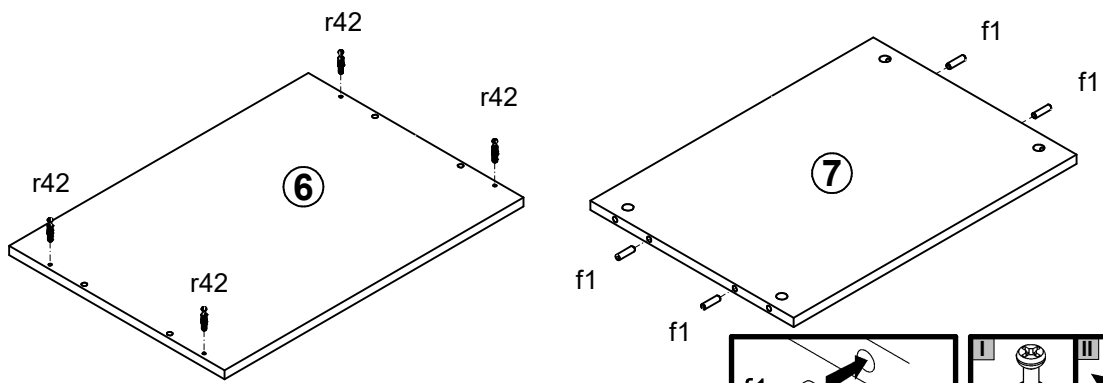


A	B	C	D
1	S383-0010	606	555 1/2
2	S383-0011	1284	555 1/2
3	S383-1007	1904	385 1/2
4	S383-1008	1904	385 1/2
5	S383-2007	560	403 2/2
6	S383-2008	560	403 2/2
7	S383-3002	529	380 2/2
8	S383-3008	528	380 2/2
9	S383-5002	527	350 2/2
10	S383-9304	1929	553 1/2

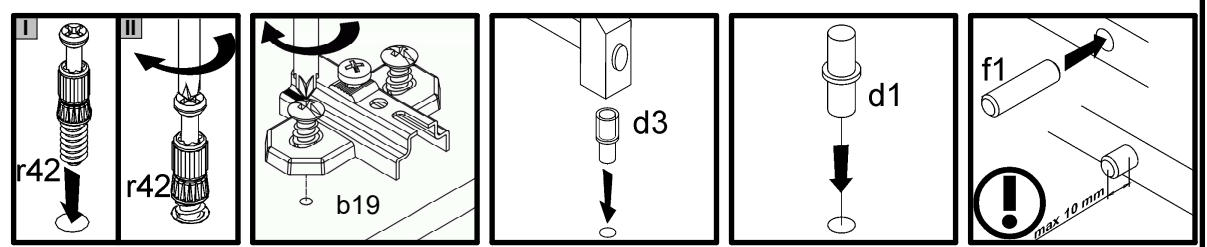
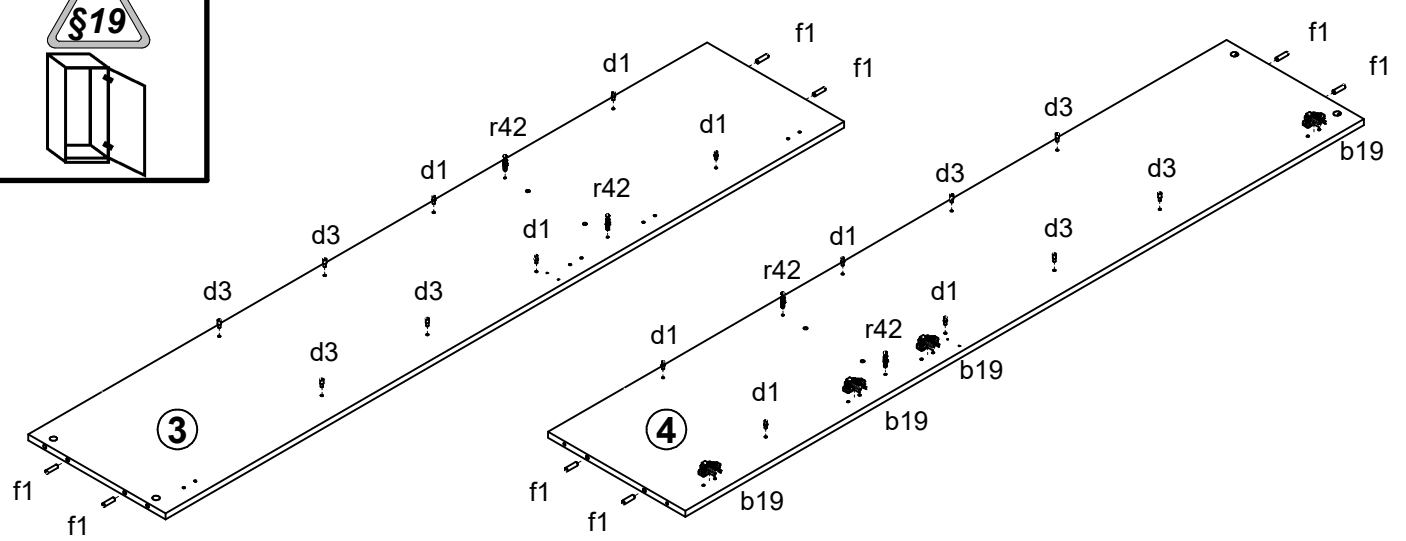
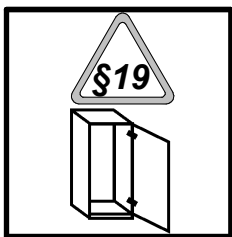
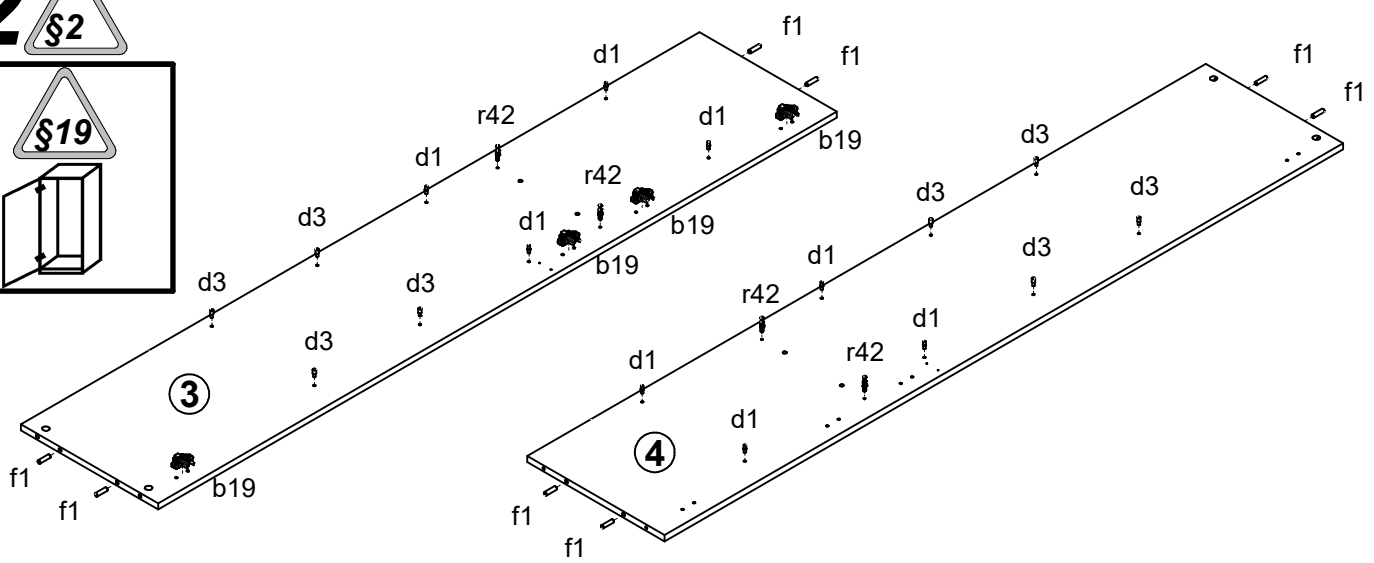
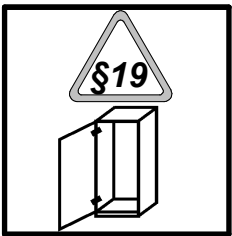


4x a44	4x b19 ^{DS}	1x c409 128mm	8x d1 Ø5x17 mm	8x d3 Ø5x17 mm	4x e1 Ø7x50 mm	8x e3 Ø6x13 mm	12x f1 Ø8x30 mm	4x k82\1
60x l1	4x o21 silikon	8x p51 Ø3,5x15 mm	2x p93 Ø4x13 mm	8x r1 Ø15x12 mm #16	8x r42 20\11	1x z28\1	1x z28\2 82x9,5\6,5mm	4x k82\2
1x z28\3 20x20\1,5 mm	4x s2 Ø16	1x z1 4 mm	3x z28\4 Ø3x12mm					
						1x n26\1	1x p38 Ø3,5x16 mm	

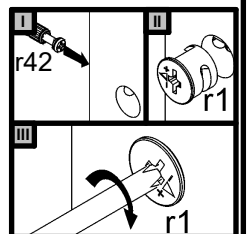
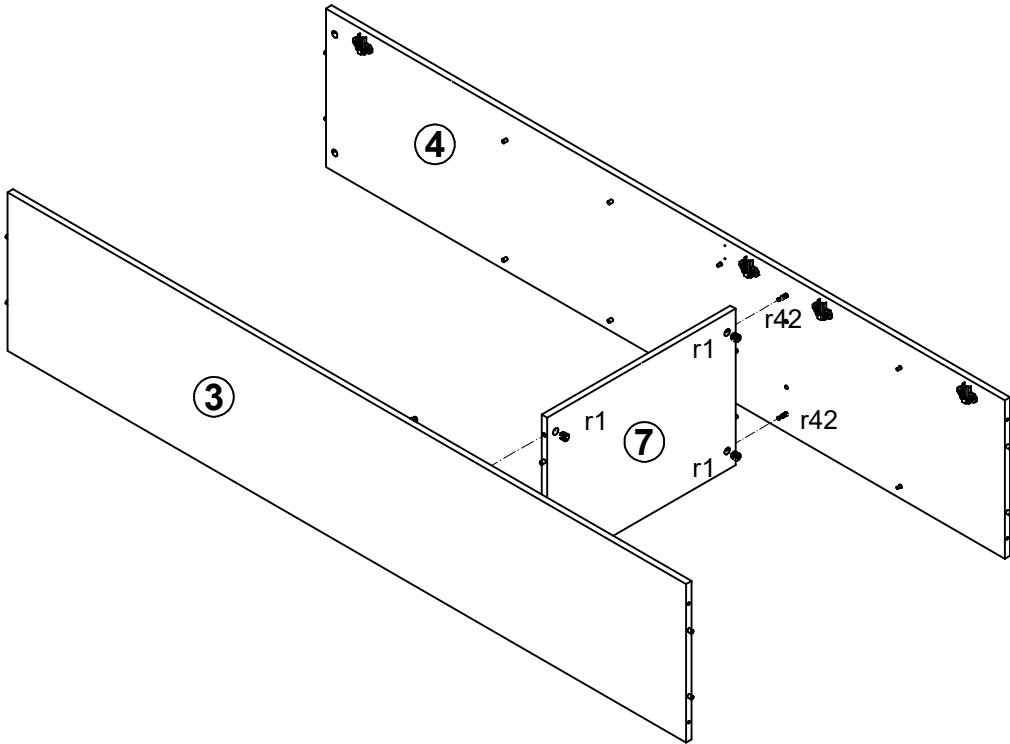
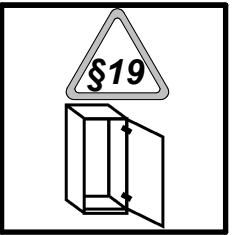
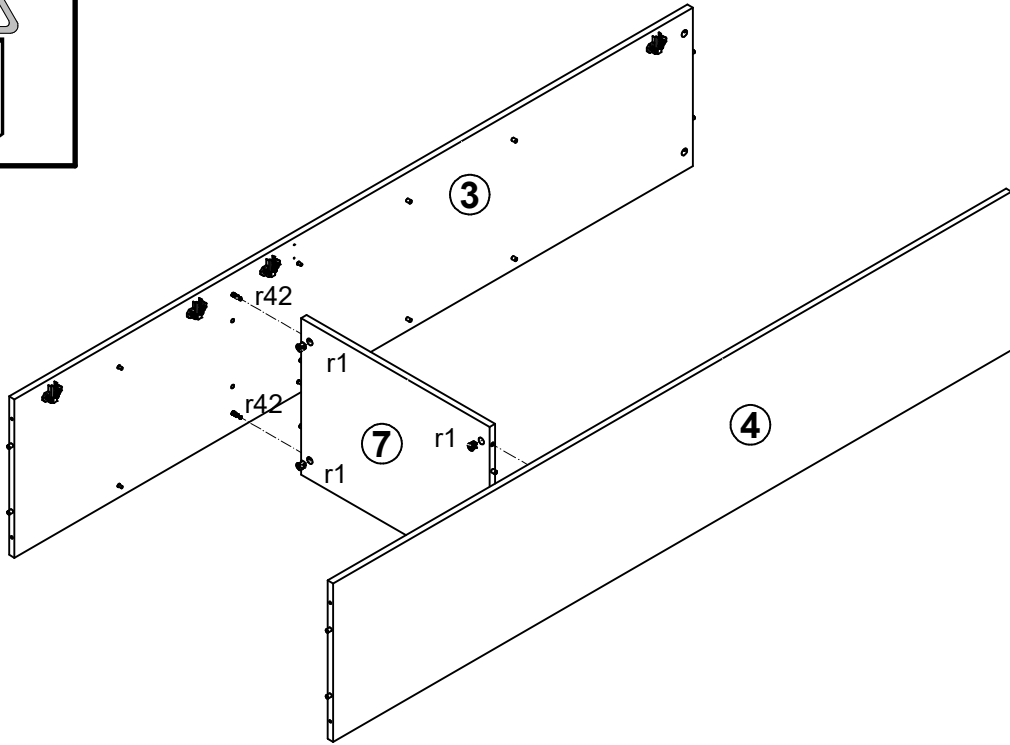
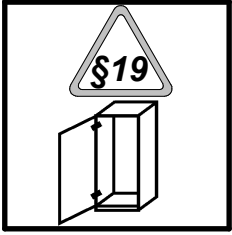
1



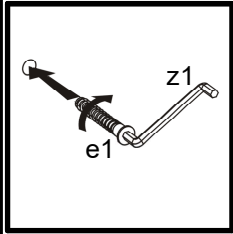
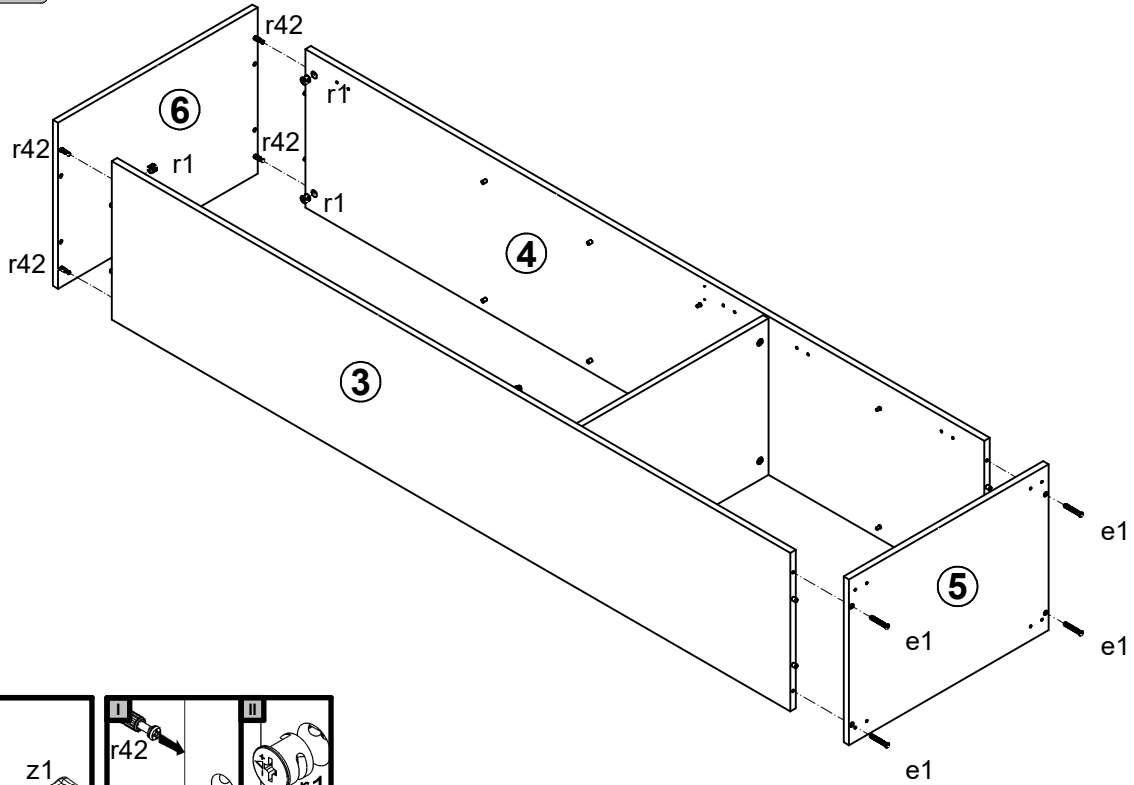
2



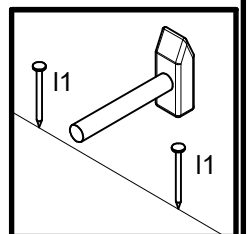
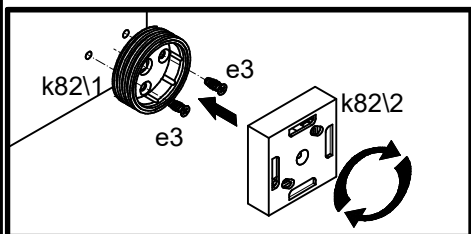
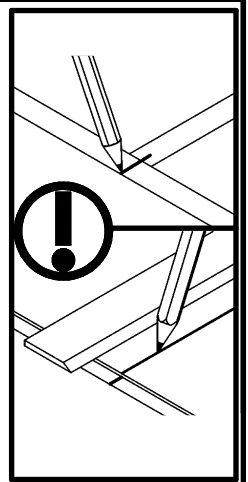
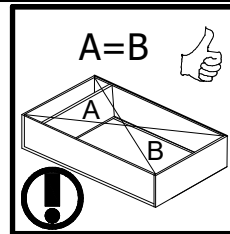
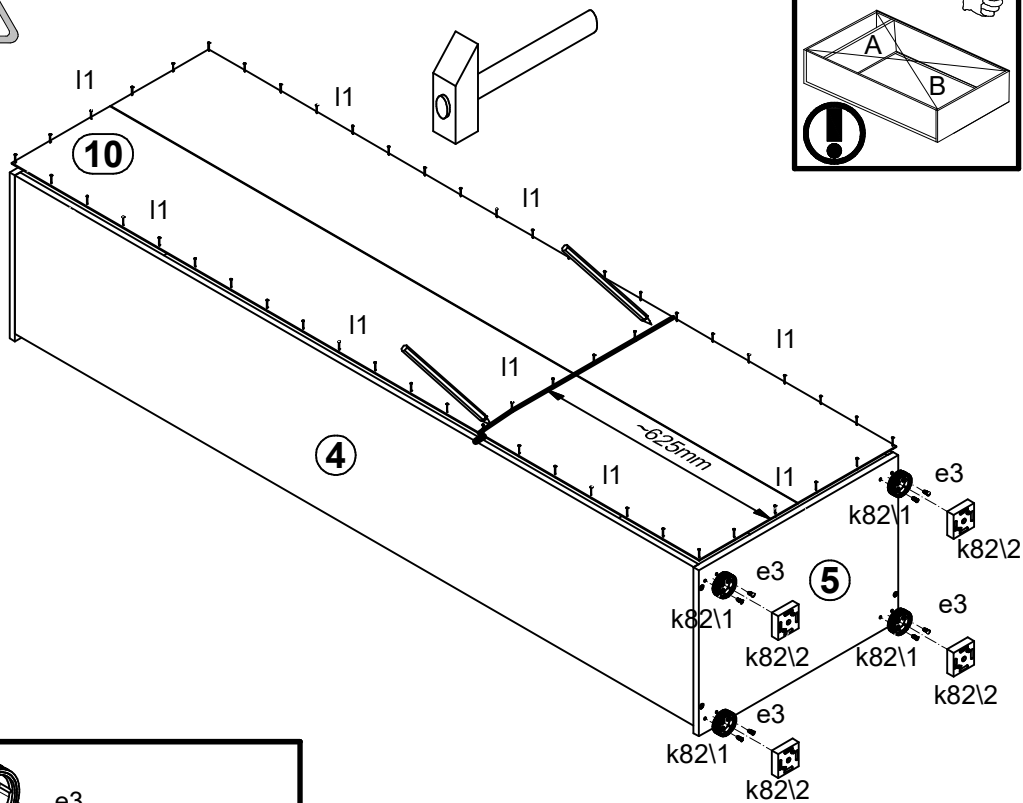
3 §6



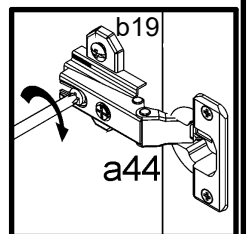
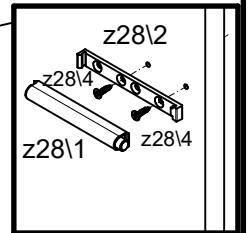
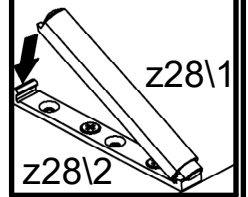
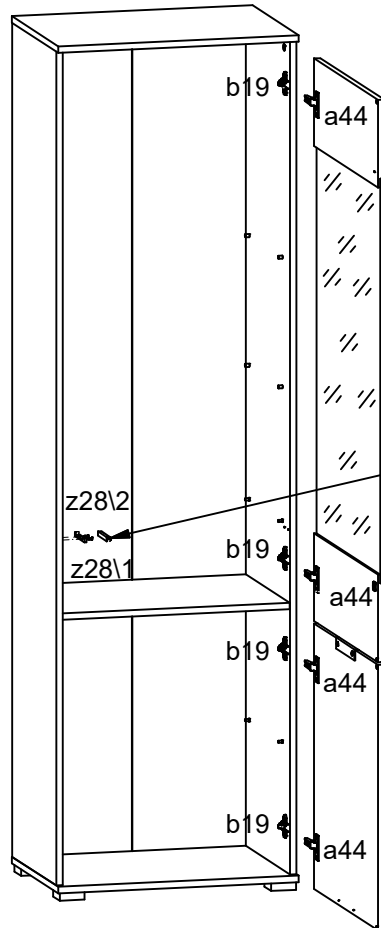
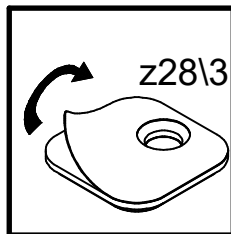
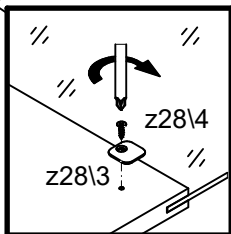
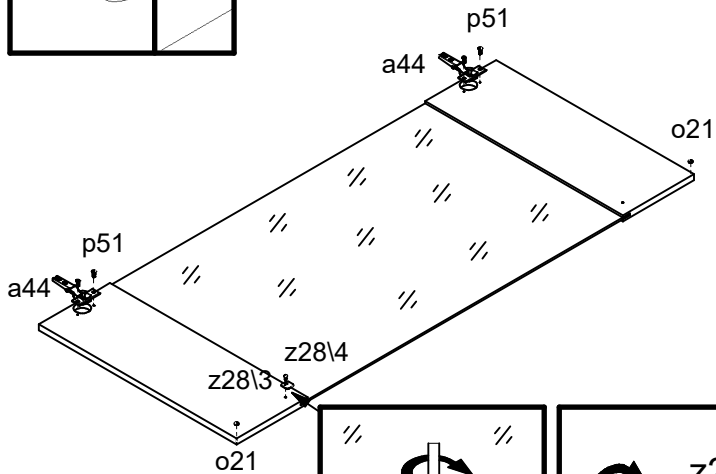
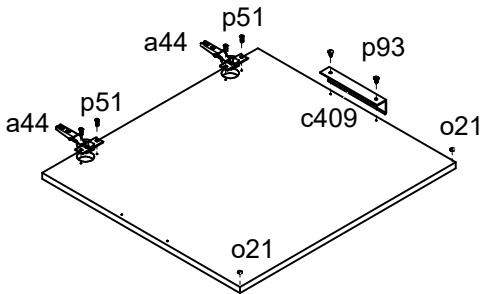
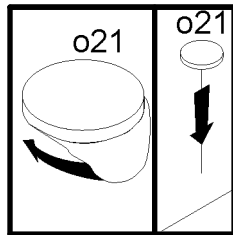
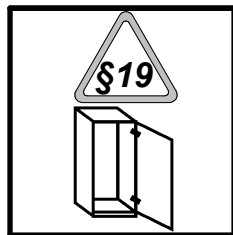
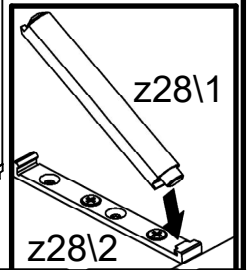
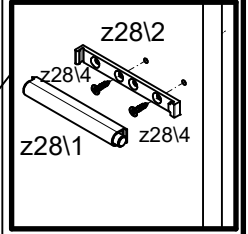
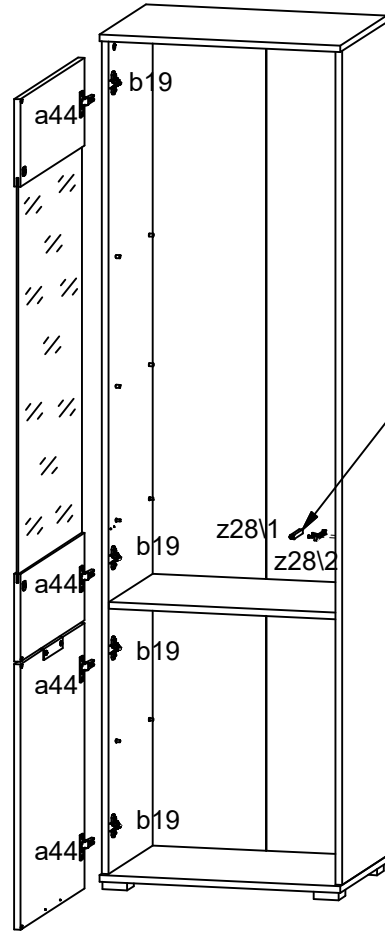
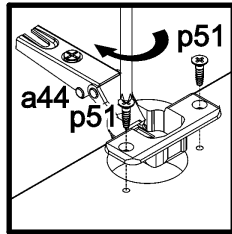
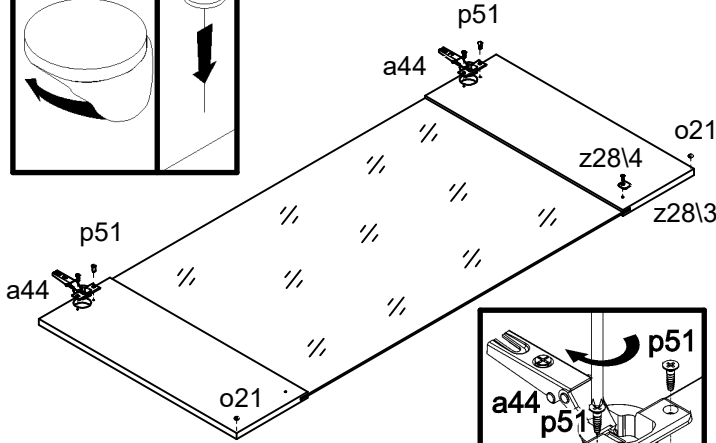
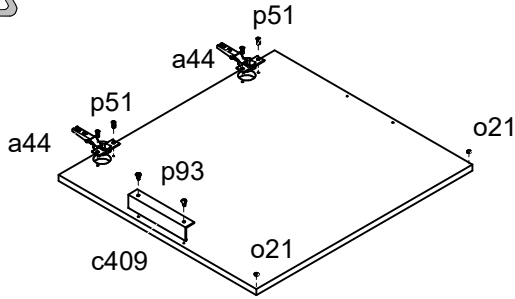
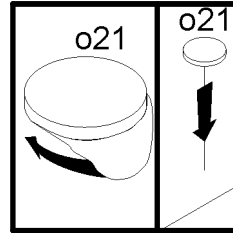
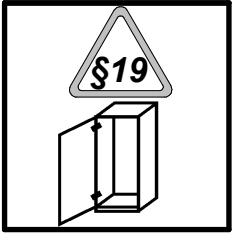
4



5



6



7

