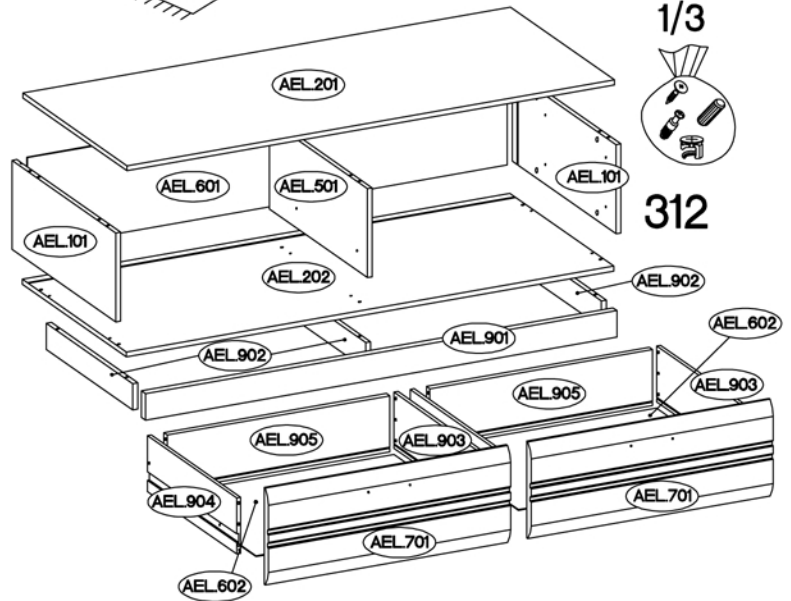
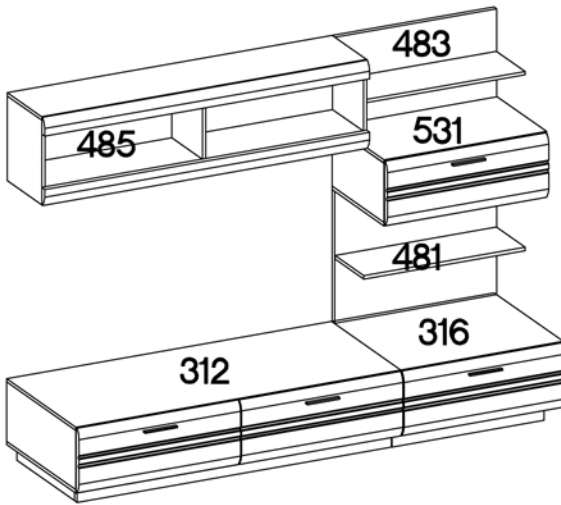
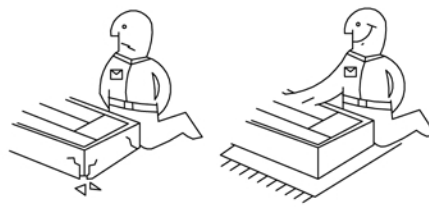
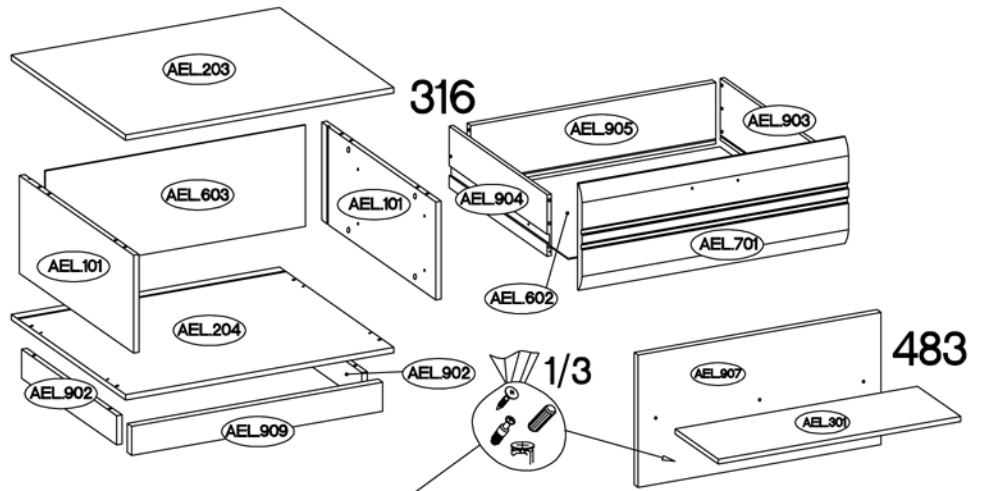


ALFORD

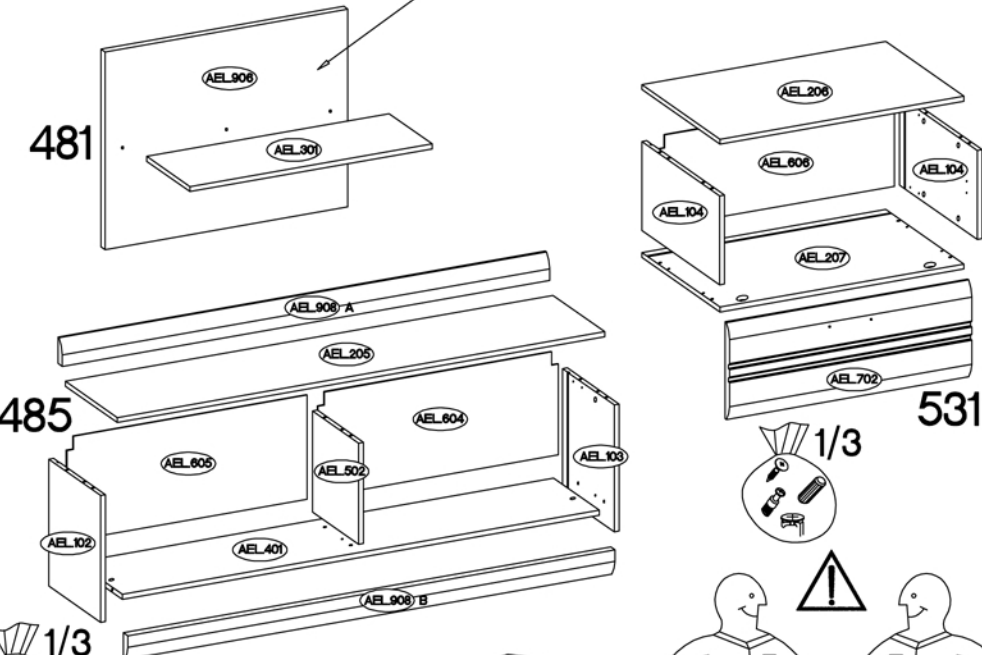


312

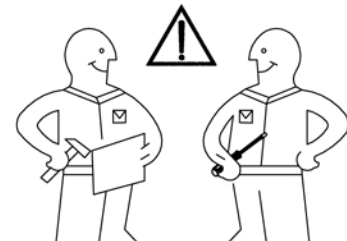
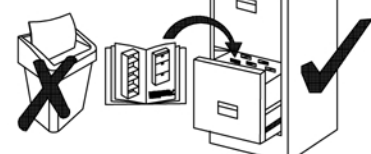
Coli	Typ	Ersatzteil Nummer	Dimension
1/3	312	AEL.602 x2	326x696x2,5
		AEL.701 x2	746x294x16
	316	AEL.603	728x279x2,5
		AEL.701	746x294x16
	481	AEL.301	746x160x15
		AEL.906	748x600x15
483	AEL.301	746x160x15	
	AEL.907	748x401x15	
531	AEL.606	728x279x2,5	
	AEL.702	746x294x16	
312/ 316		AEL.903 x3	330x170x12
		AEL.904 x3	330x170x12
		AEL.905 x3	686x170x12



Coli	Typ	Ersatzteil Nummer	Dimension
2/3	312	AEL.101 x2	270x384x15
		AEL.201	1501x385x15
		AEL.202	1501x385x15
		AEL.501	270x362x15
		AEL.601	1478x279x2,5
	316	AEL.901	1452x80x15
		AEL.902 x3	80x320x15
		AEL.101 x2	270x384x15
		AEL.203	751x385x15
		AEL.204	751x385x15
485	AEL.909	702x80x15	
	AEL.902 x2	80x320x15	
	AEL.908 A		



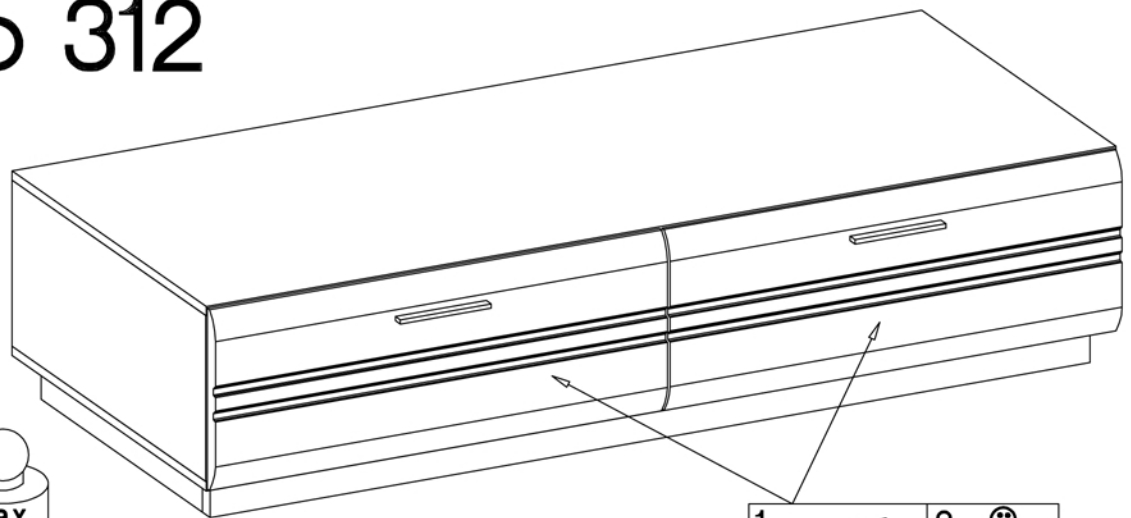
Coli	Typ	Ersatzteil Nummer	Dimension
3/3	485	AEL.102	385x192x15
		AEL.103	385x192x15
		AEL.205	1501x192x15
		AEL.401	1469x170x15
		AEL.502	307x170x15
		AEL.604	740x316x2,5
		AEL.605	740x316x2,5
	AEL.908 x 2	1501x80x16	
	531	AEL.104 x2	270x288x15
		AEL.206	751x289x15
AEL.207		751x289x15	



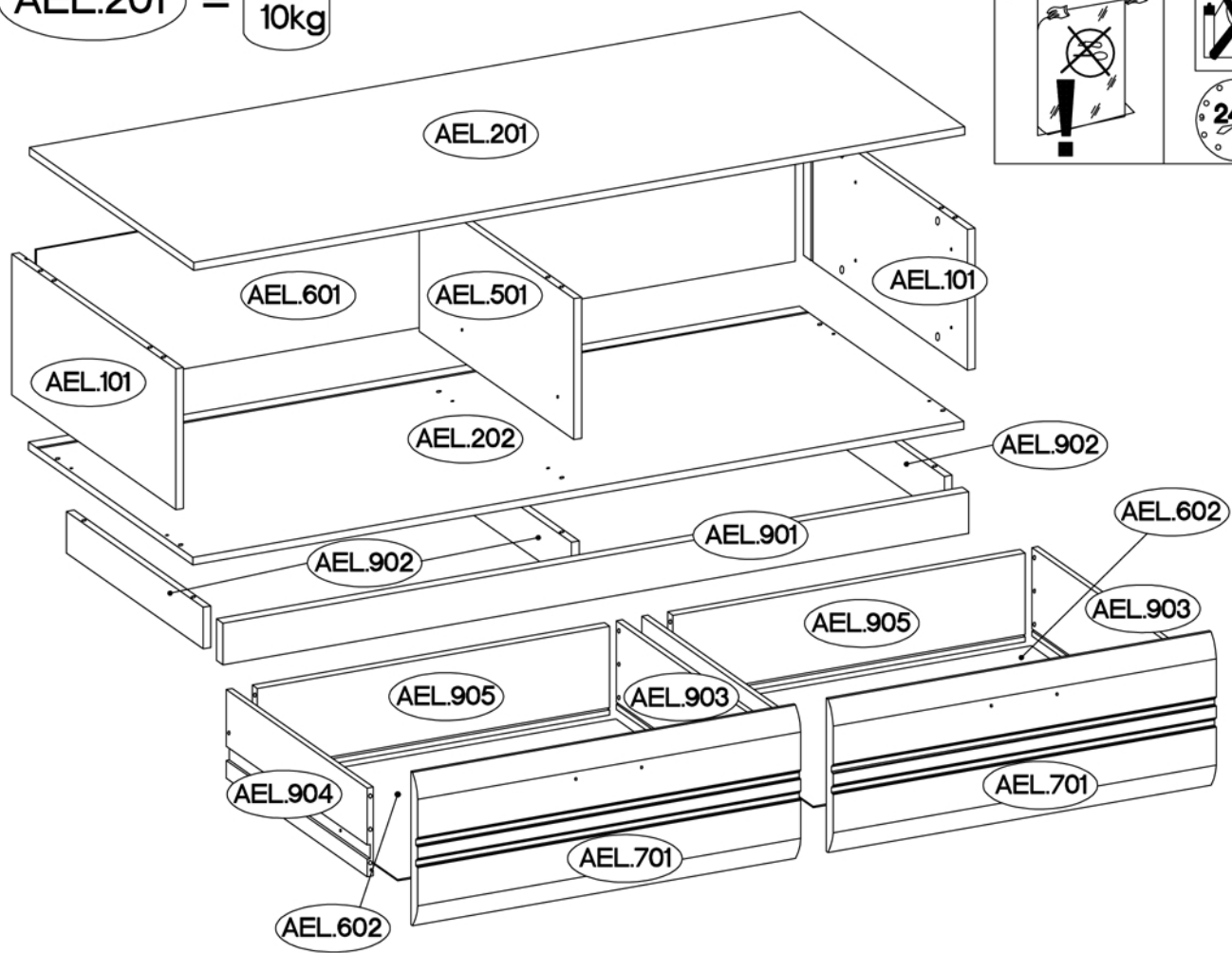
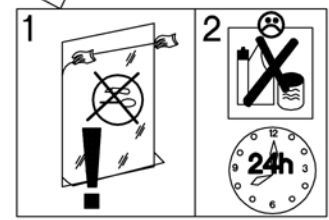
1

ALFORD

Typ 312



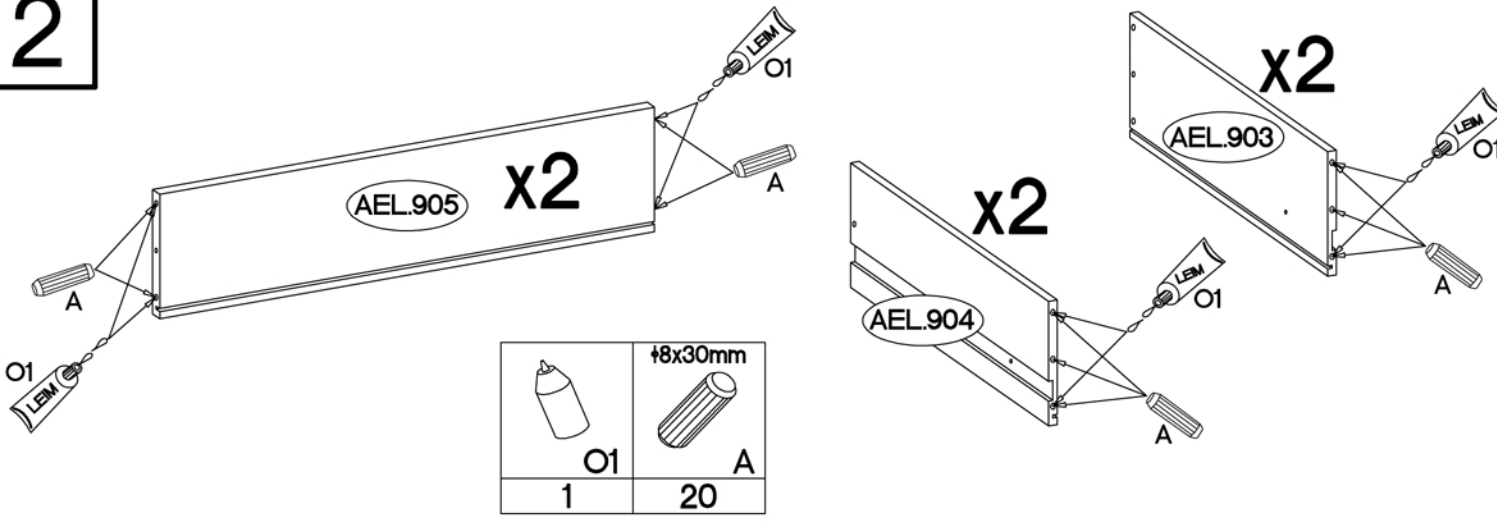
AEL.201 = max. 10kg



1B:

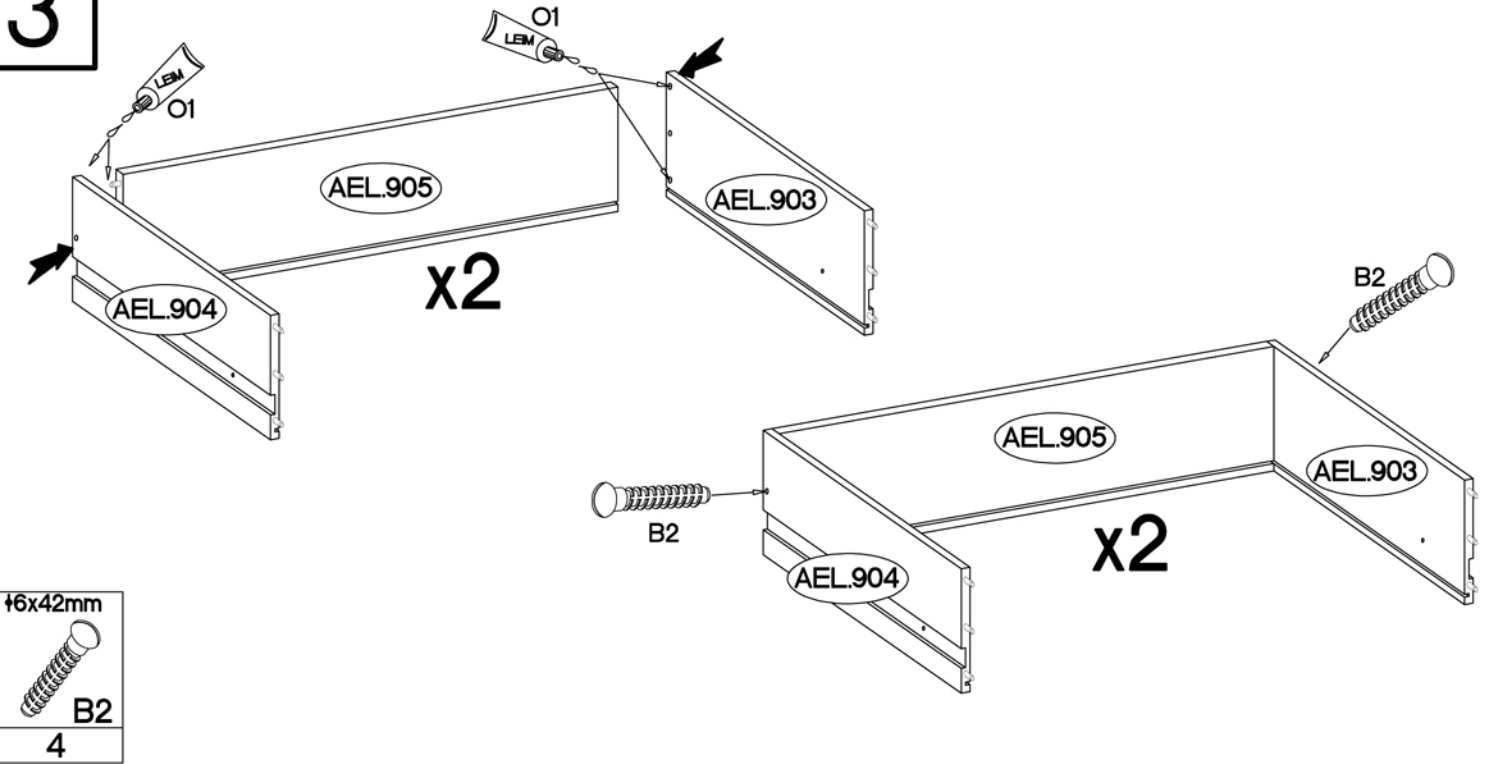
J14	M3	T3	P1	O1	F4	M2			
4	4	5	10	1	6	4			
†15/12mm	†8x30mm	L=20mm	L=128mm	†4.0x27mm	†3.0x20mm	27/310mm	†6x42mm	M4x9mm	
C	A	D2	S11	R1	L	P7	I4	B2	U1
12	38	12	2	4	12	2	2	4	4

2



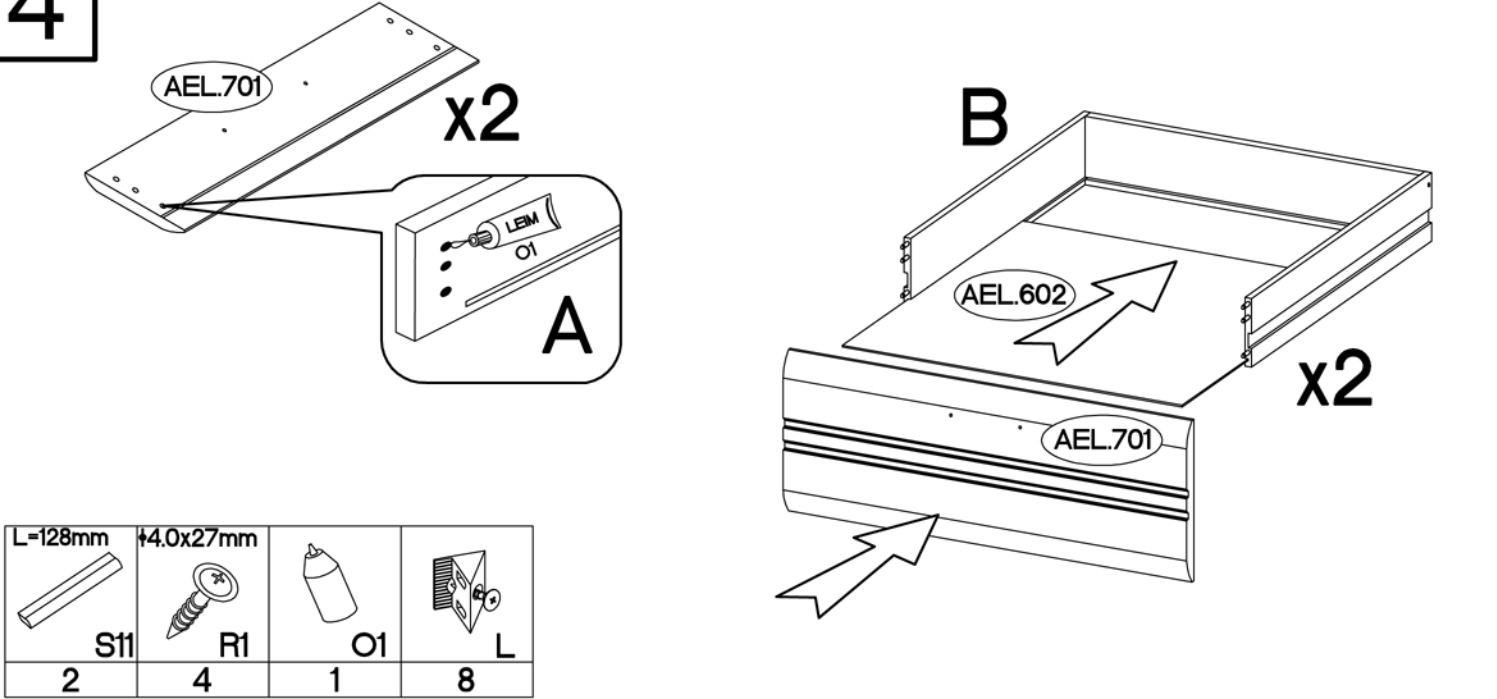
	+8x30mm
O1	A
1	20

3

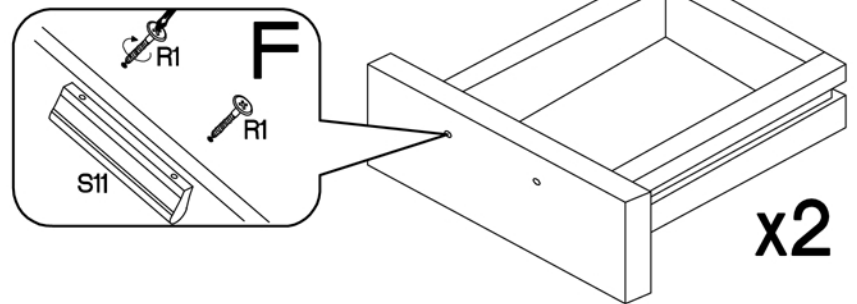
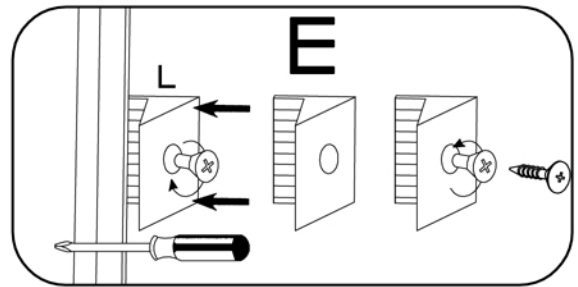
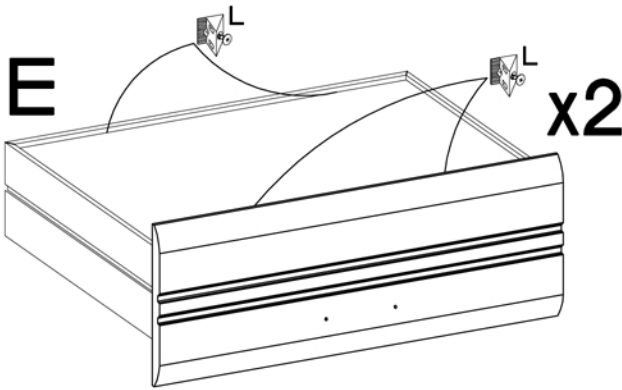
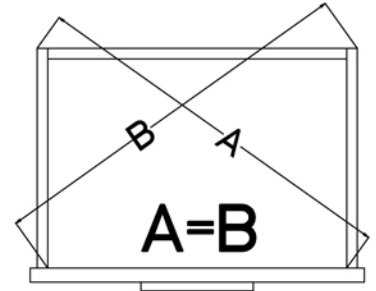
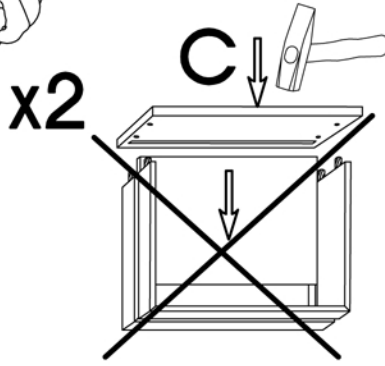
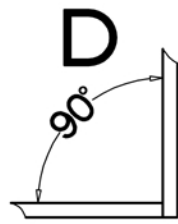
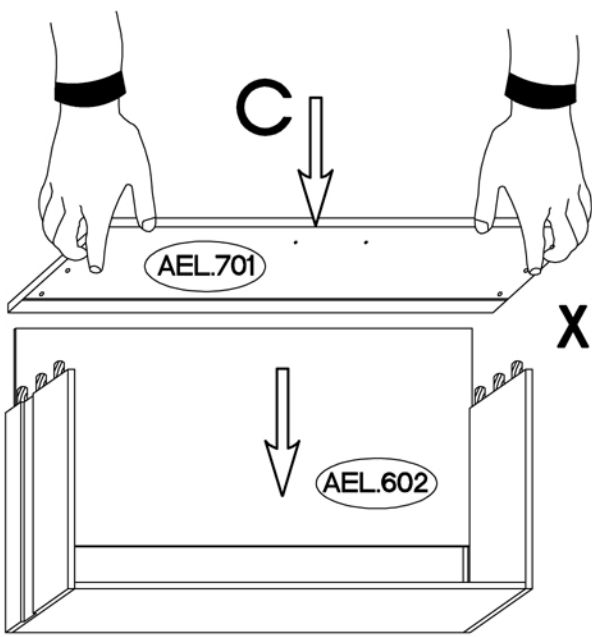


+6x42mm
B2
4











4

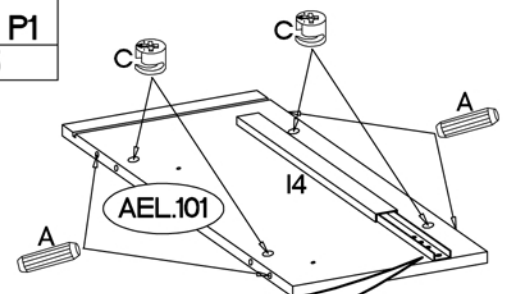
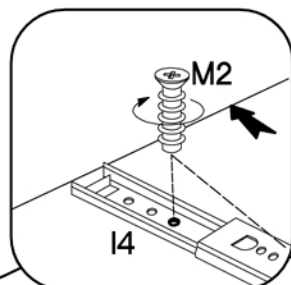
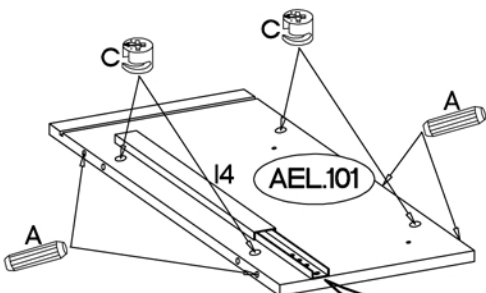


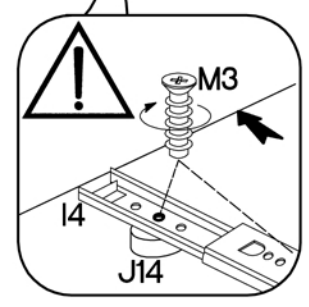
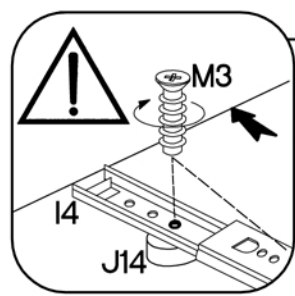
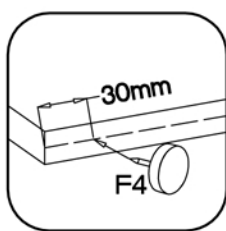
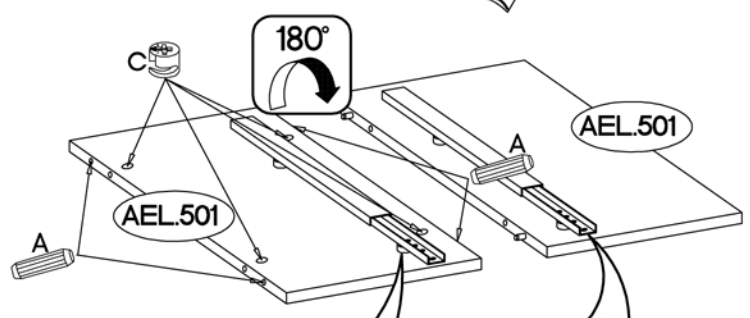
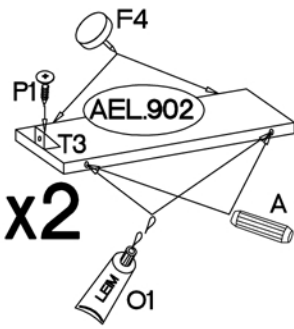
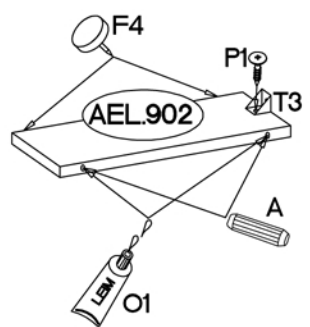
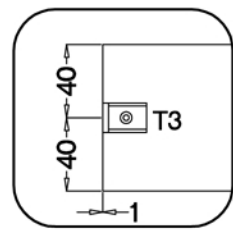
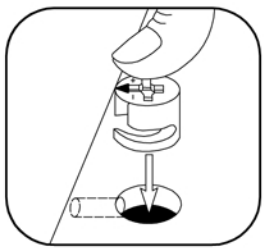
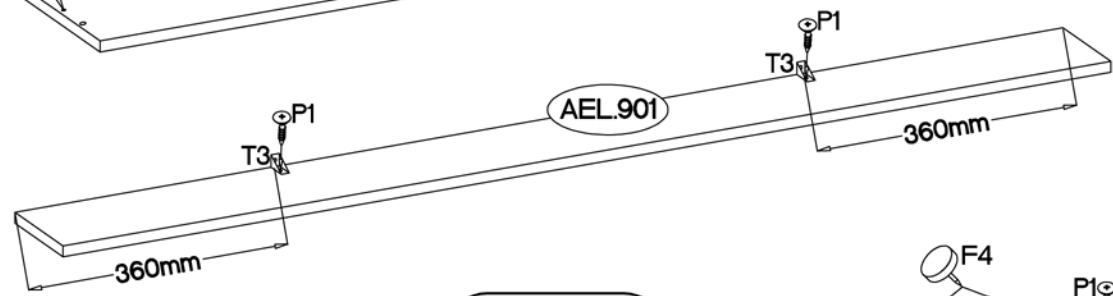
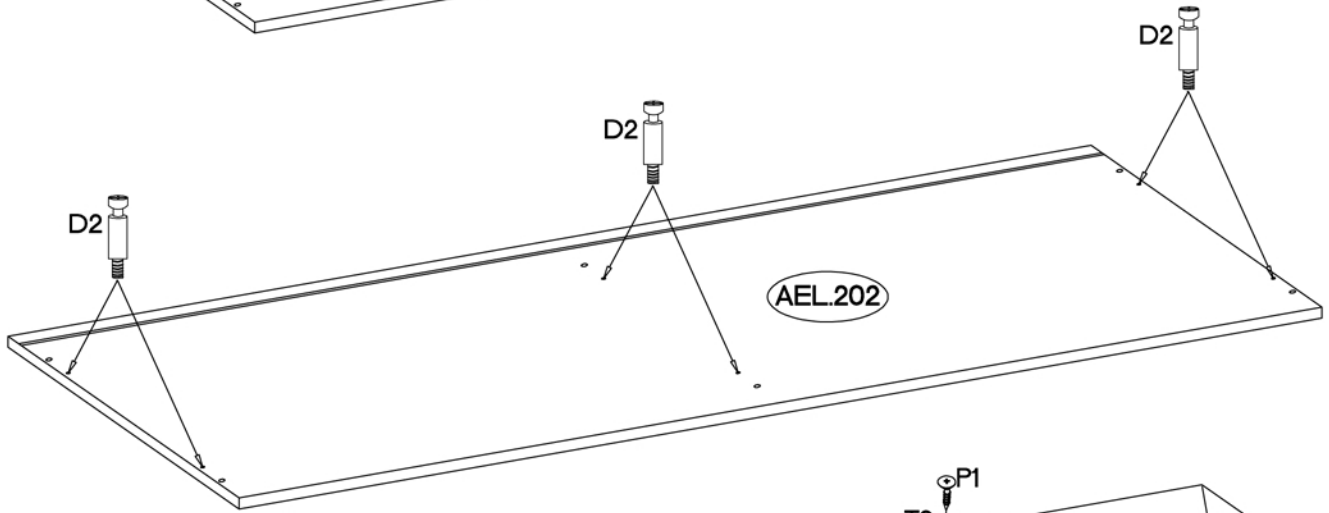
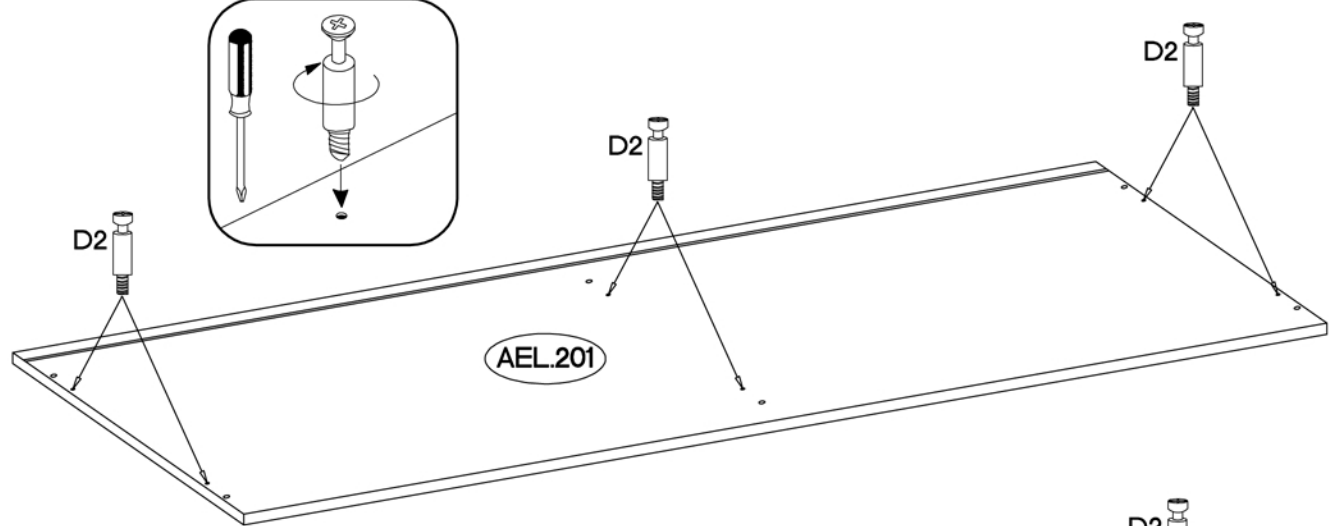
L=128mm	+4.0x27mm		
		O1	L
S11	R1	1	8





5

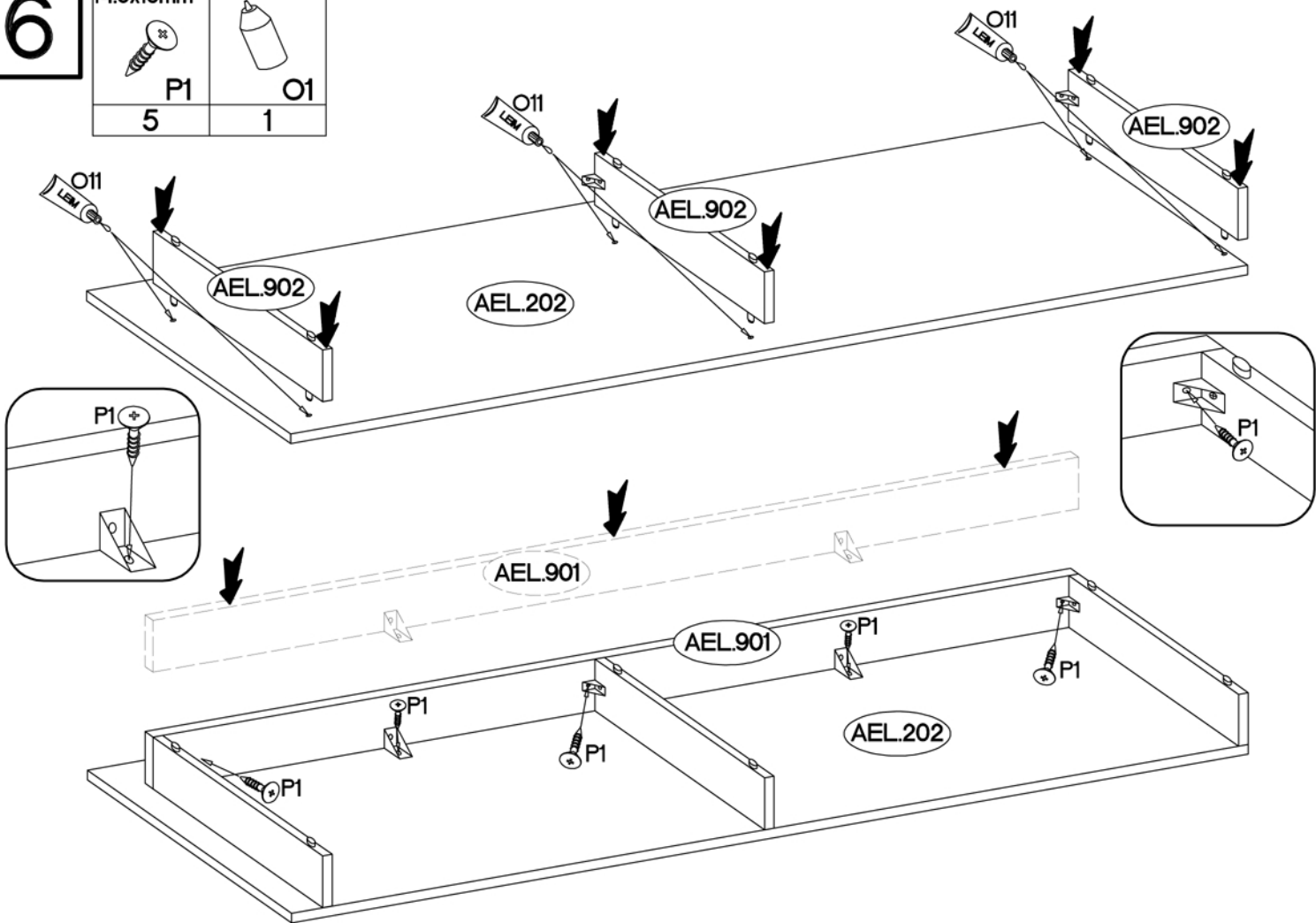
 †15/12mm C 12	 †8x30mm A 18	 L=20mm D2 12	 †20/8mm J14 4	 †6,3x20mm M3 4	 †6,3x13mm M2 4	 27/310mm I4 2	 O1 1	 †15x5mm F4 6	 T3 5
--	---	---	--	---	---	---	--	---	--



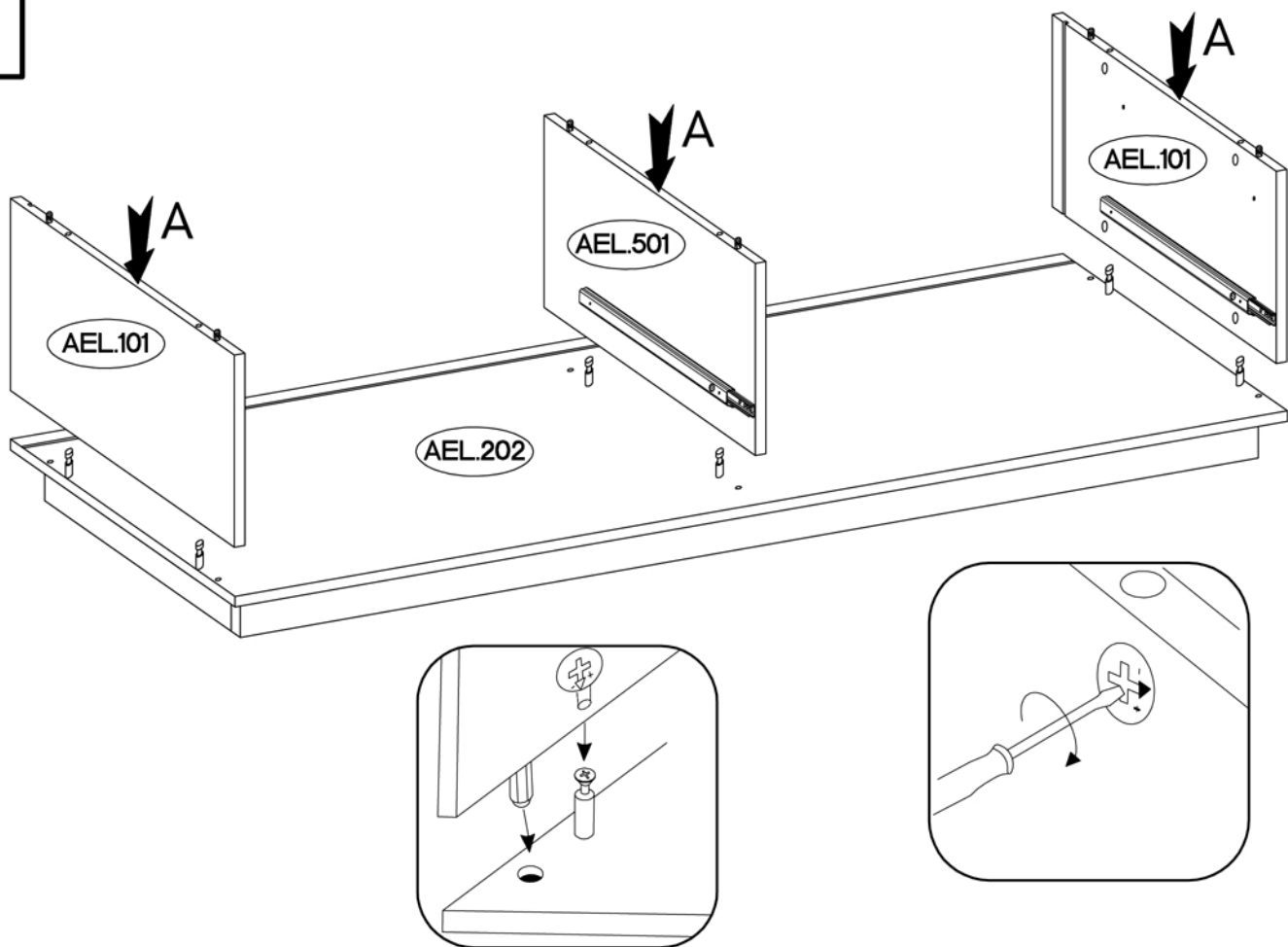


6

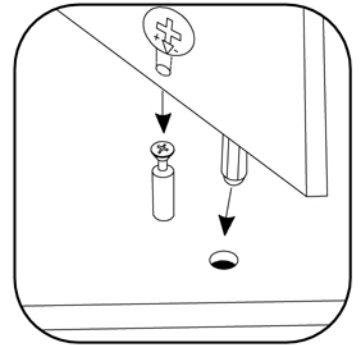
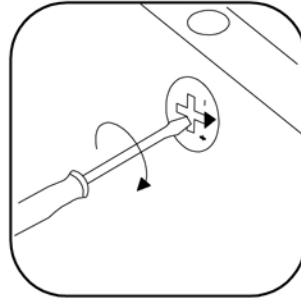
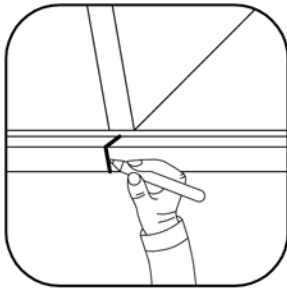
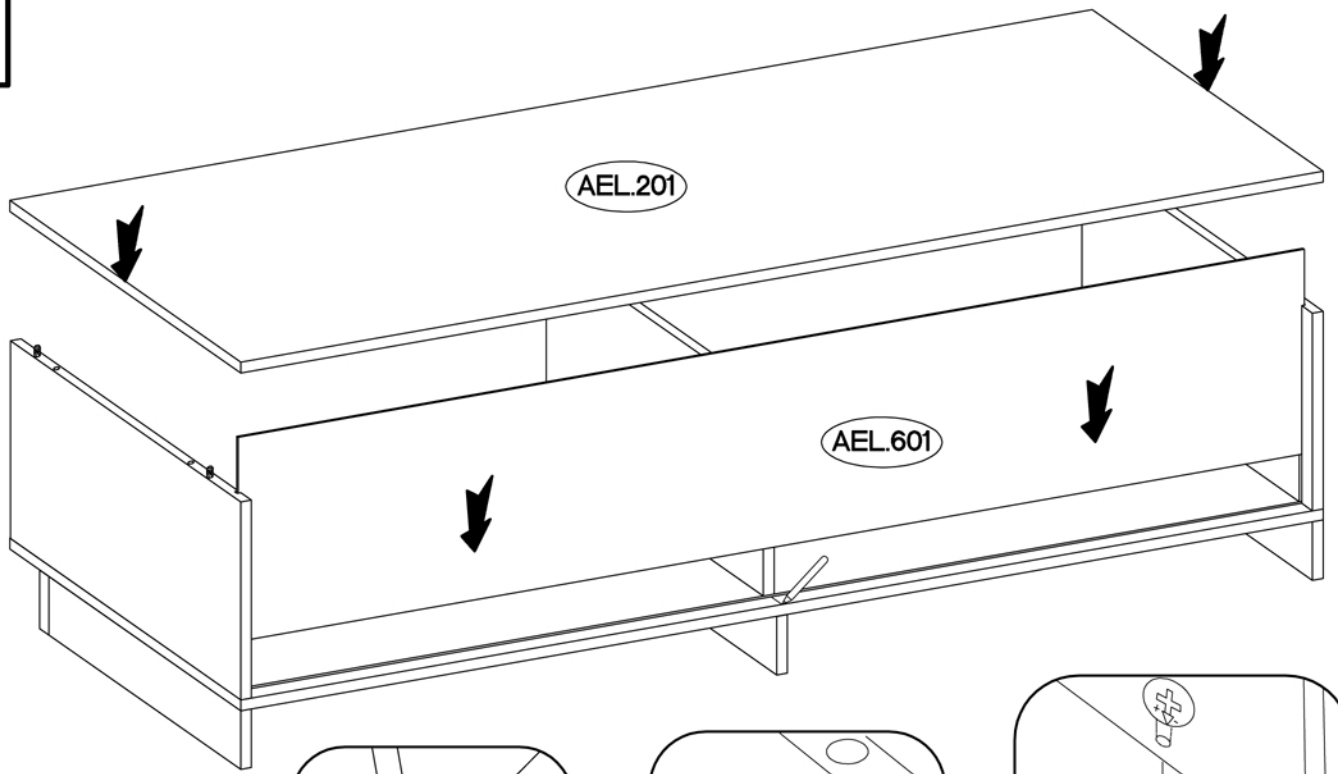
$\varnothing 4.0 \times 16 \text{mm}$		
	P1	O1
	5	1



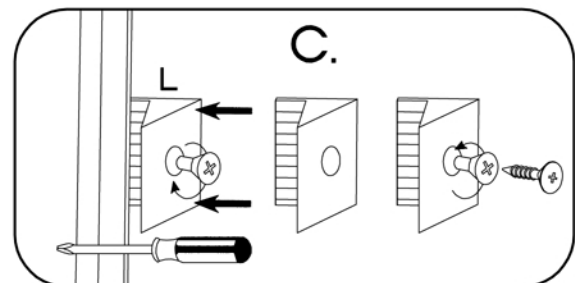
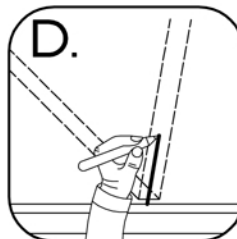
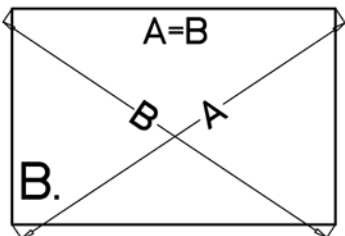
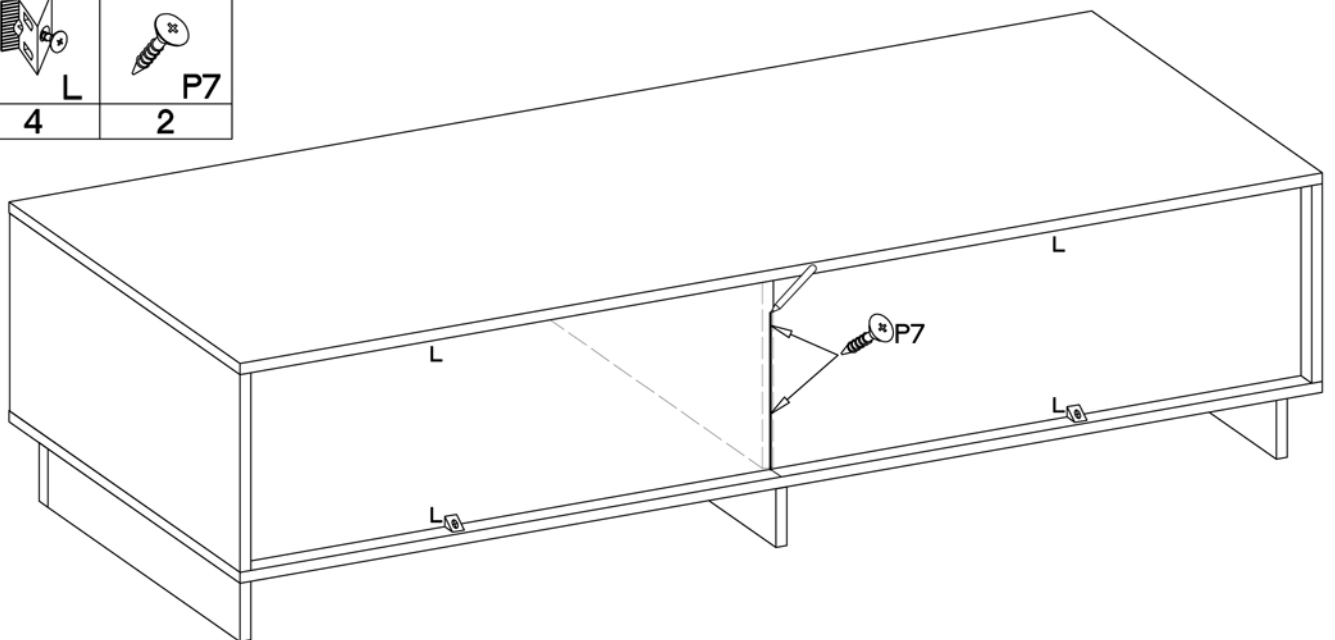
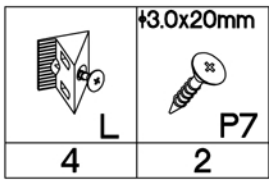
7



8

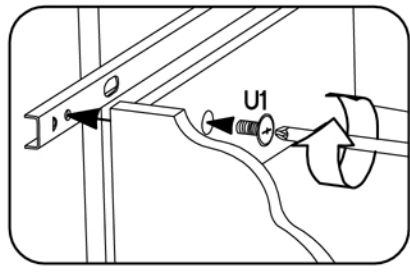
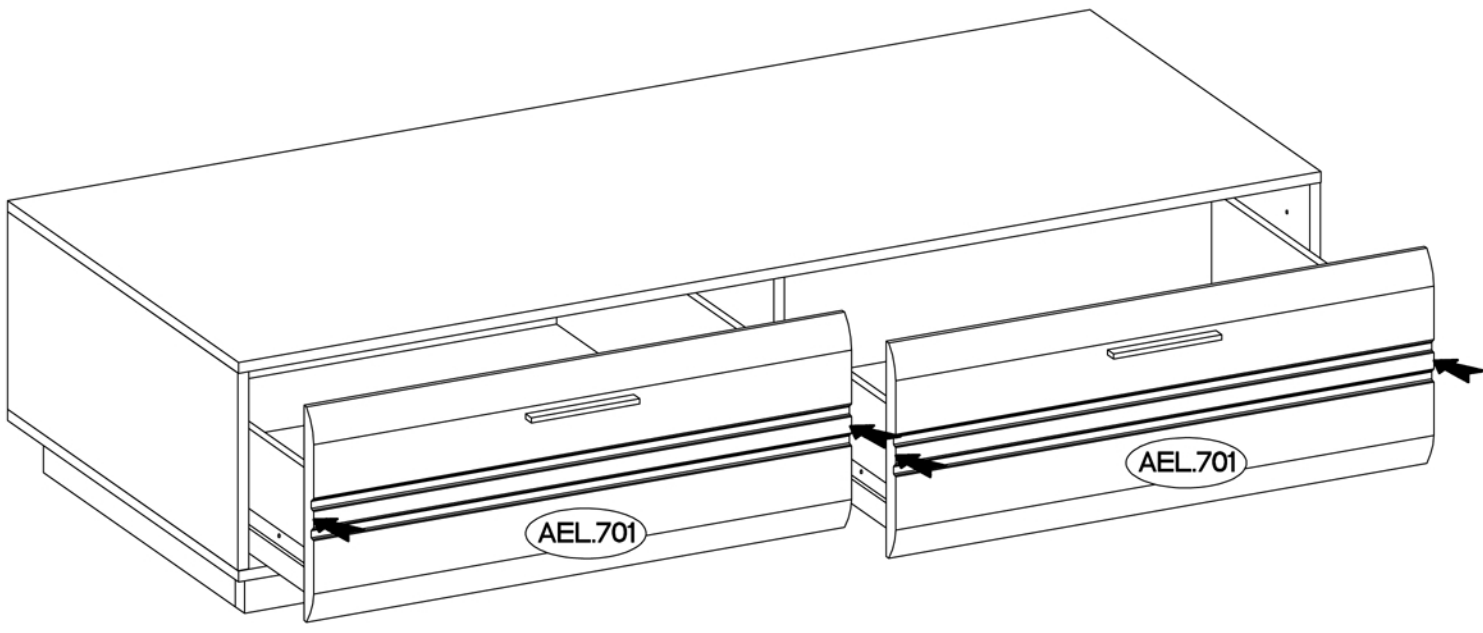


9

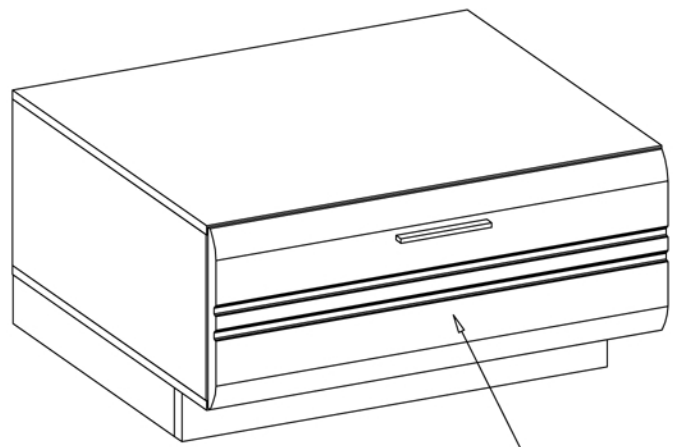



M4x9mm

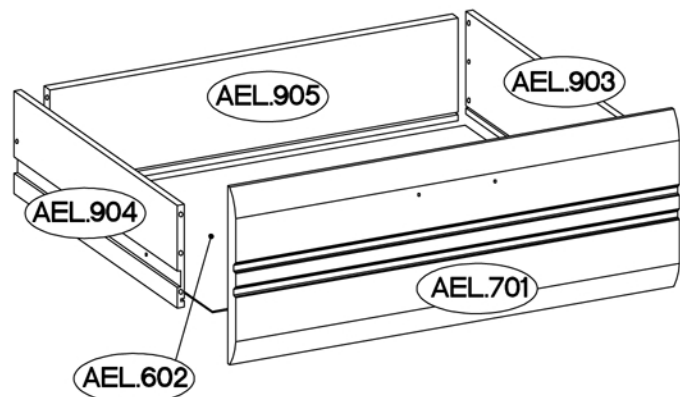
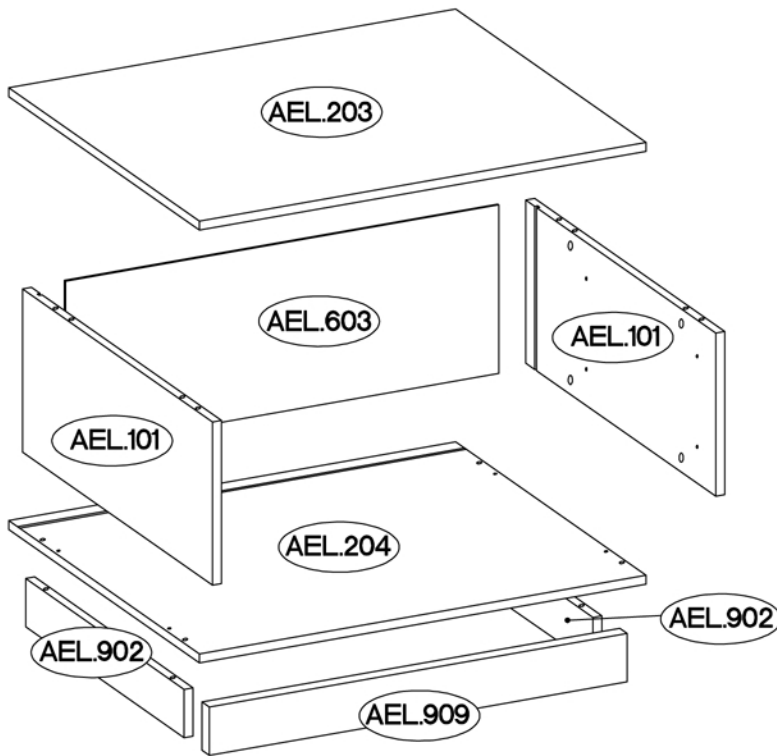
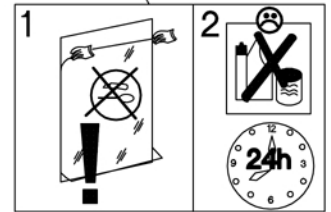
U1
4




























ALFORD Typ 316



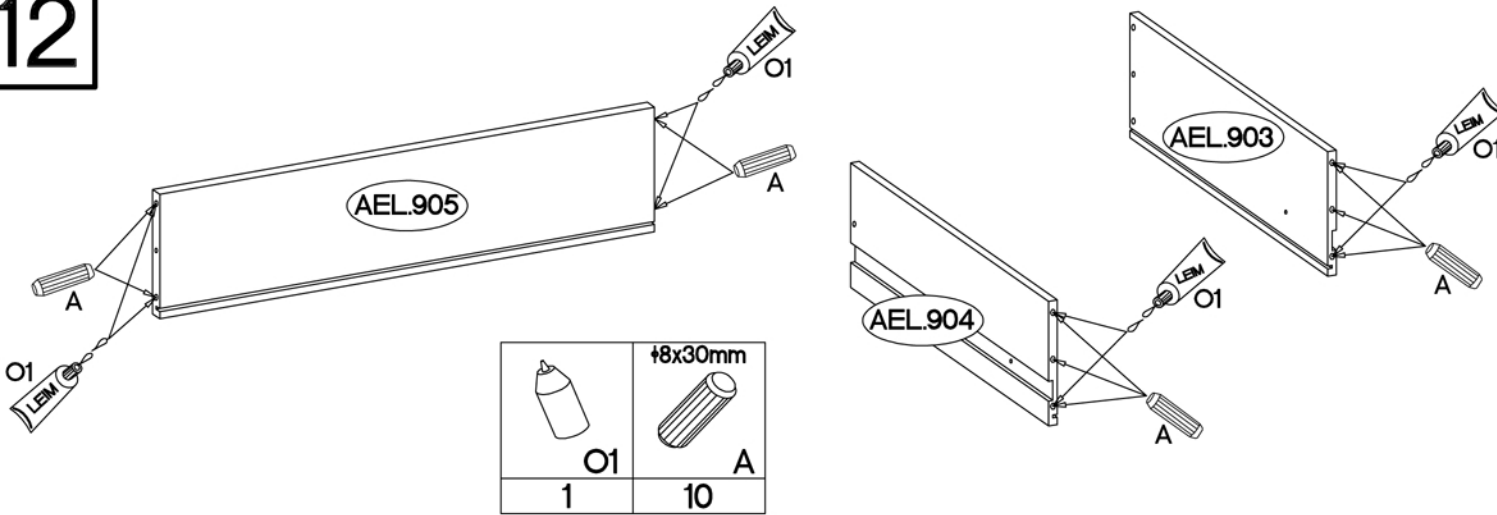
AEL.203 =  max. 10kg



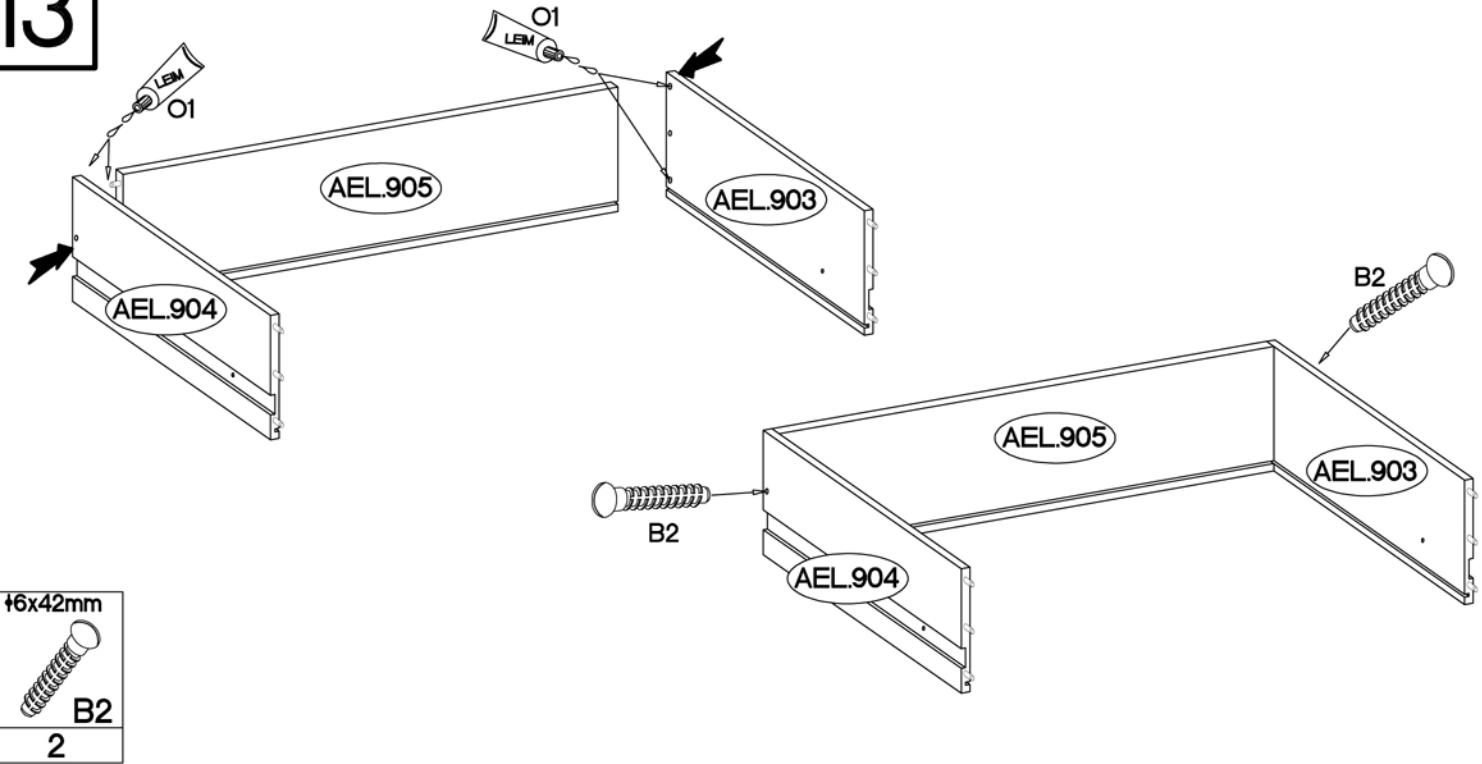
 $\pm 15/12\text{mm}$	 $\pm 8 \times 30\text{mm}$	 L=20mm	 L=128mm	 $\pm 4.0 \times 27\text{mm}$	 $\pm 4.0 \times 25\text{mm}$	 T3	 $\pm 4.0 \times 16\text{mm}$	 $\pm 15 \times 5\text{mm}$	 $\pm 6.3 \times 13\text{mm}$
 C	 A	 D2	 S11	 R1	R	T3	P1	F4	M2
8	22	8	1	2	2	3	6	4	4
 C	 A	 D2	 S11	 R1	 L	 O1	 $27/310\text{mm}$	 $\pm 6 \times 42\text{mm}$	 M4x9mm
8	22	8	1	2	6	1	1	2	2

 1B:

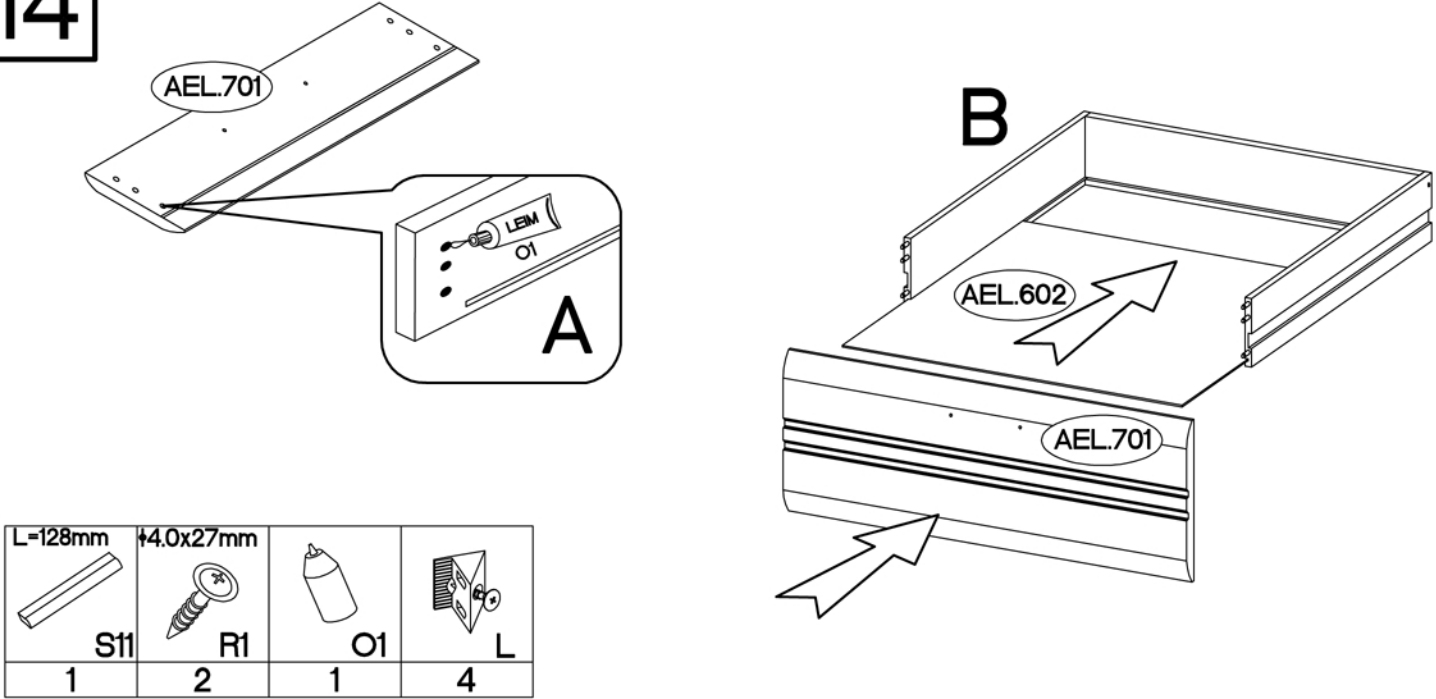
12

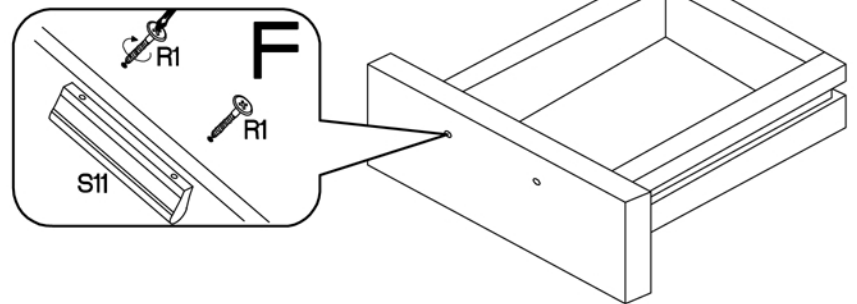
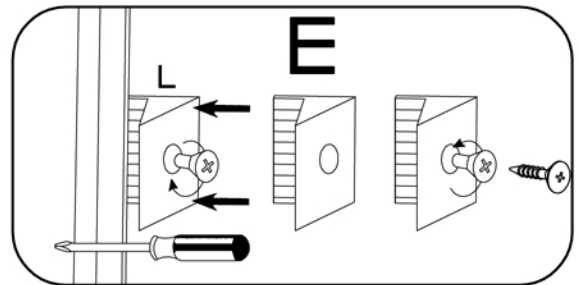
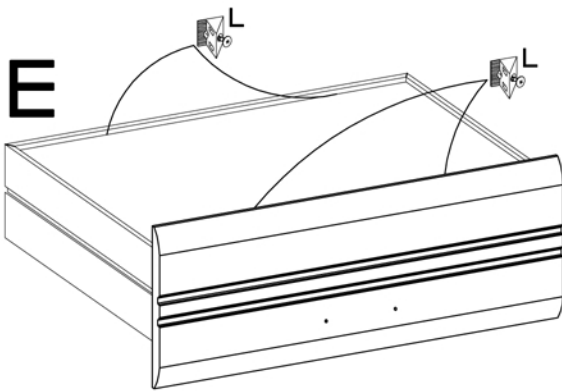
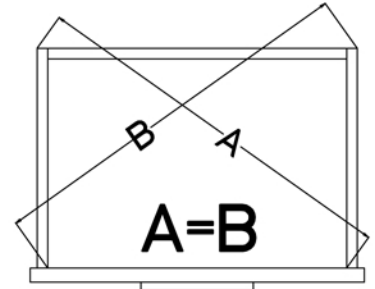
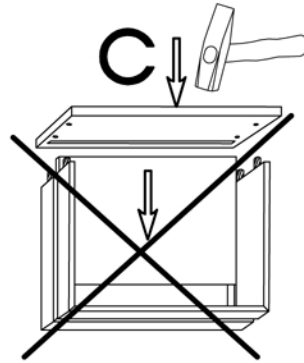
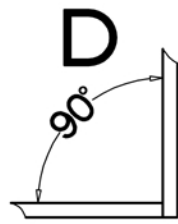
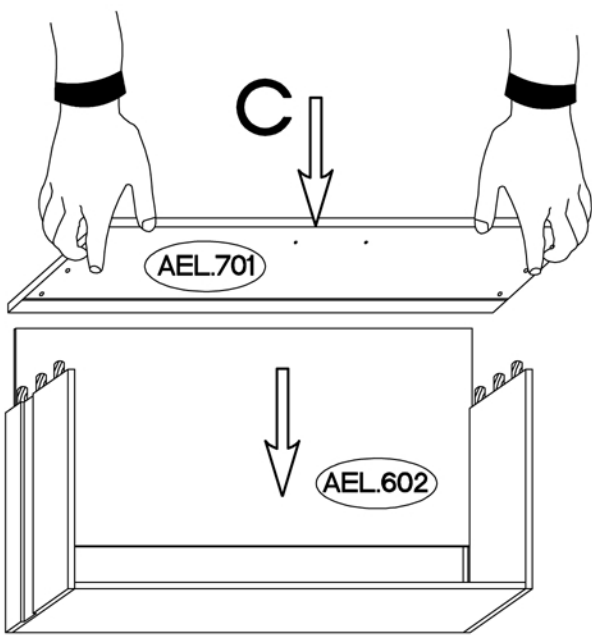


13











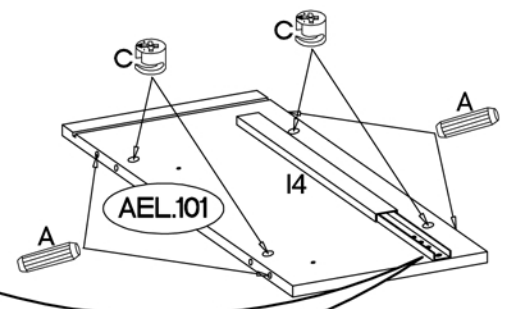
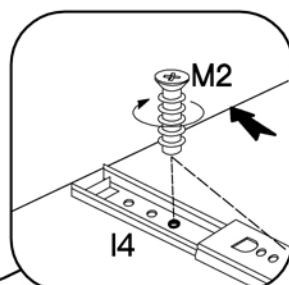
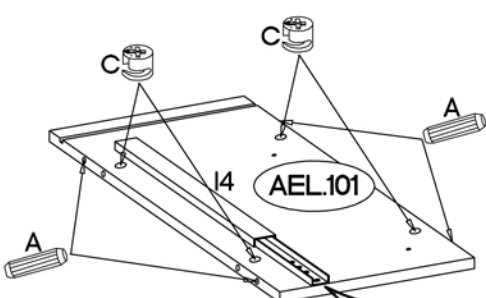
14



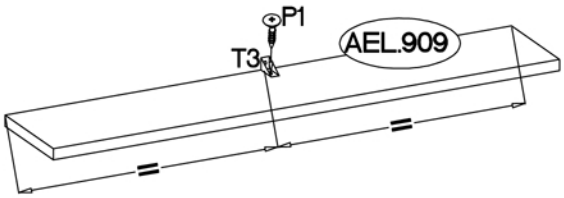
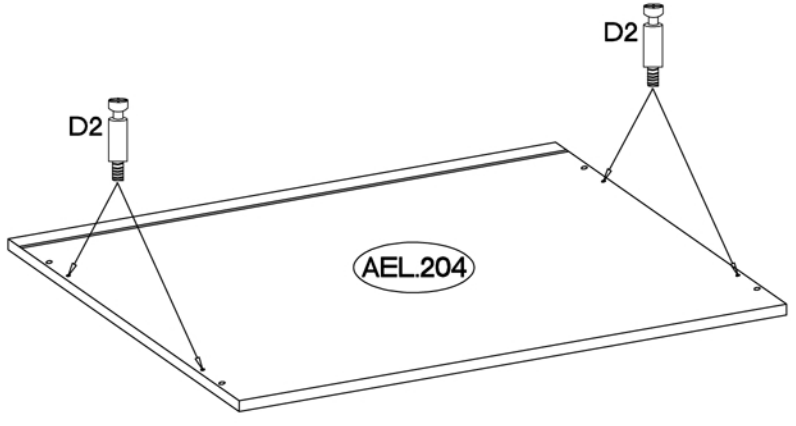
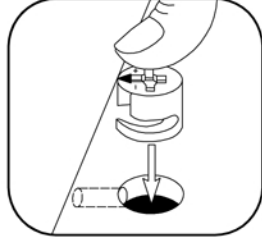
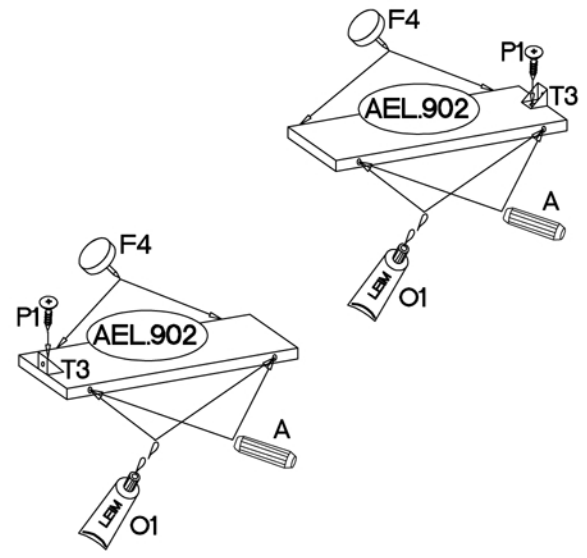
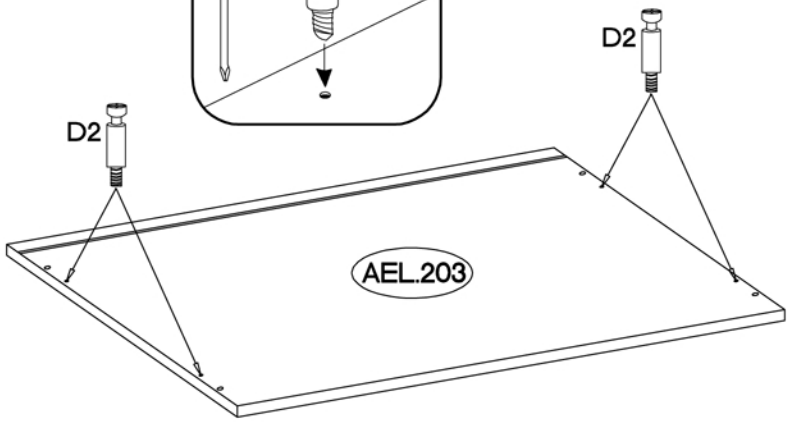
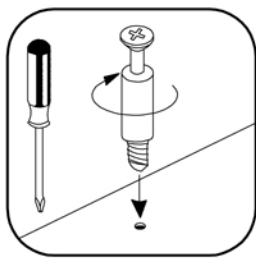


15

±15/12mm	±8x30mm	L=20mm	±15x5mm		±4.0x16mm	27/310mm	±6,3x13mm
							
8	12	8	4	3	3	1	4

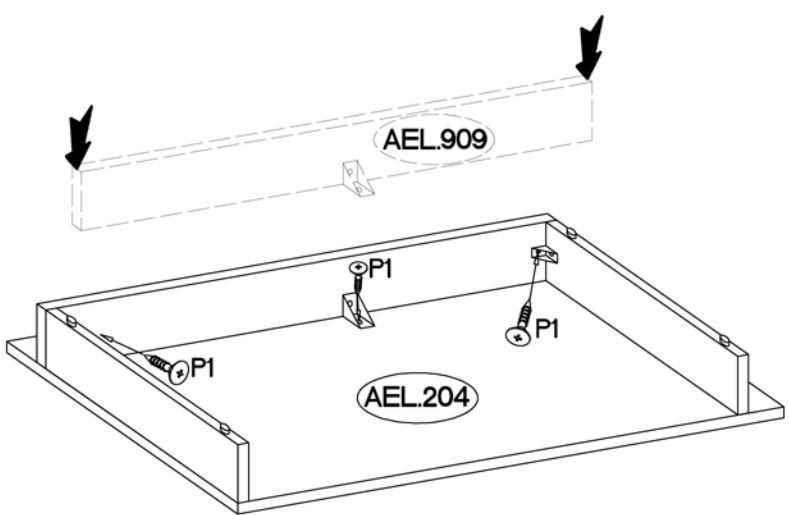
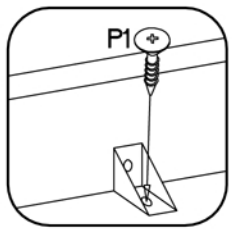
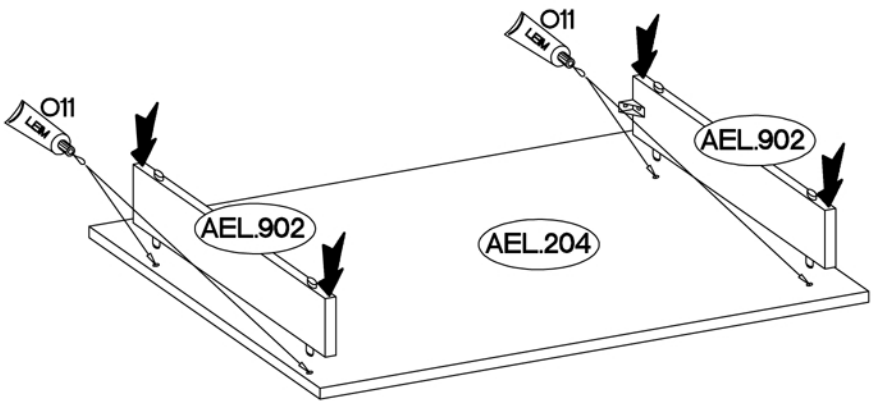


16

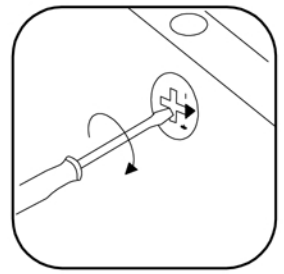
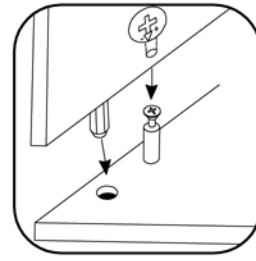
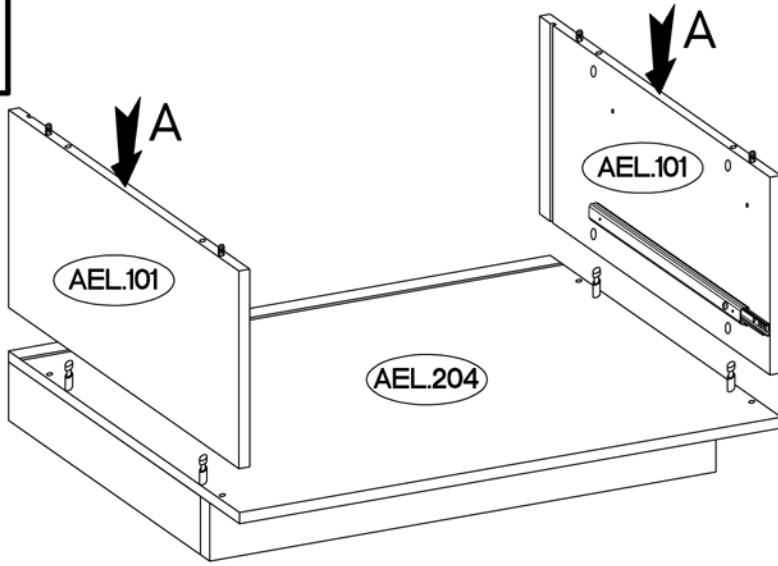


17

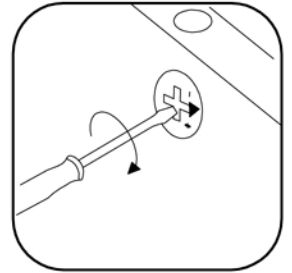
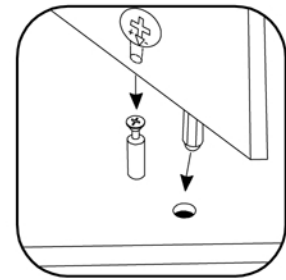
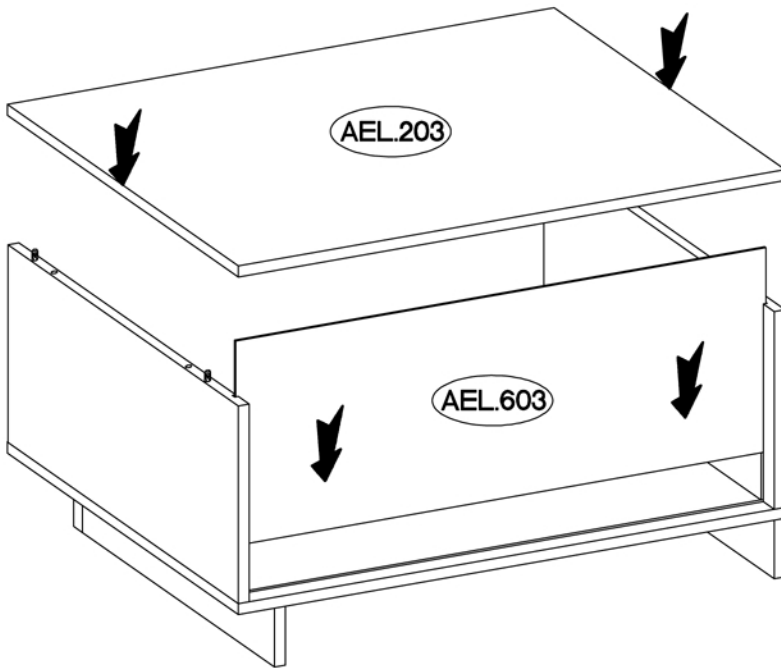
O1	P1
1	3



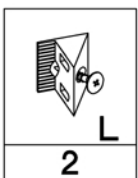
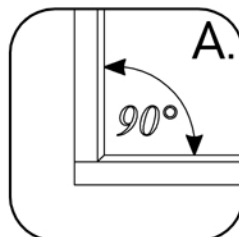
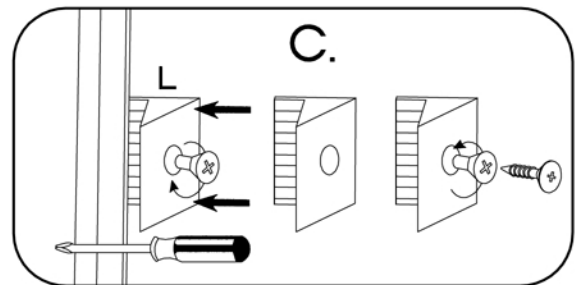
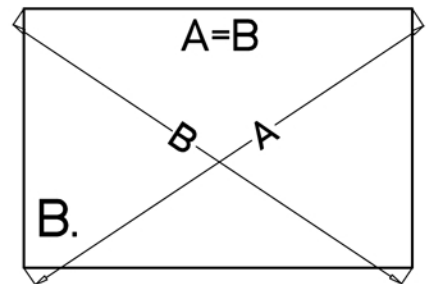
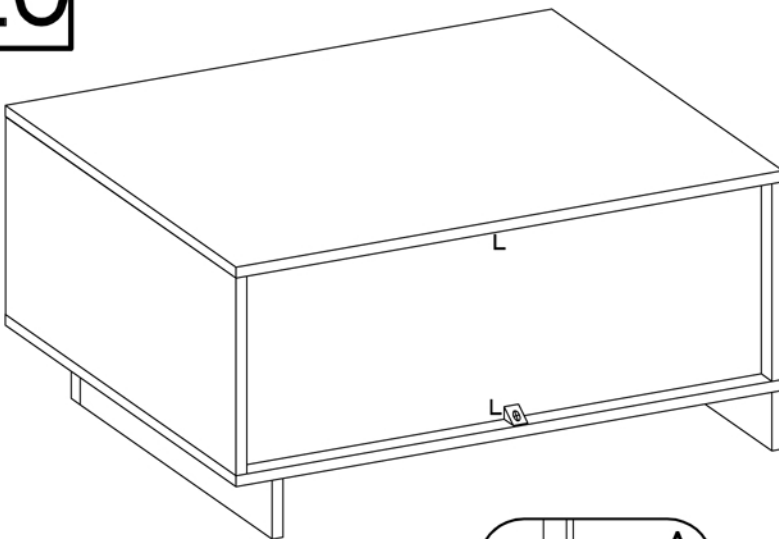
18



19

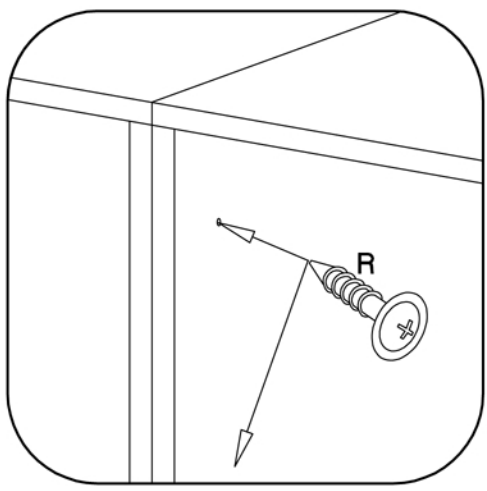
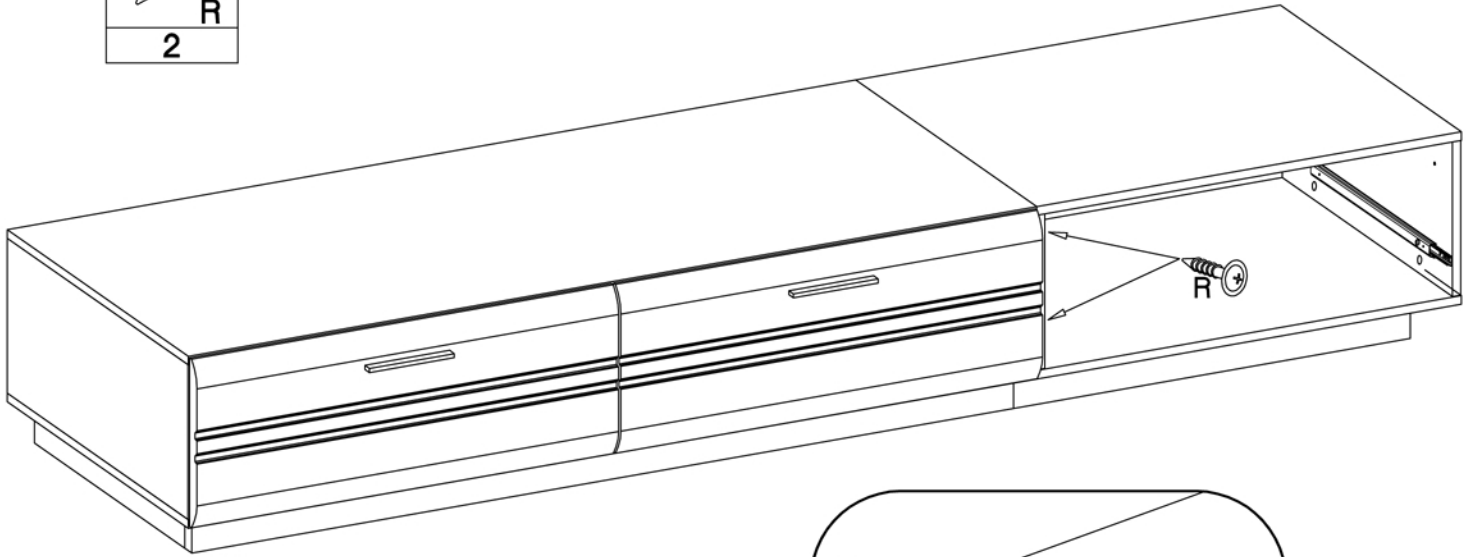


20



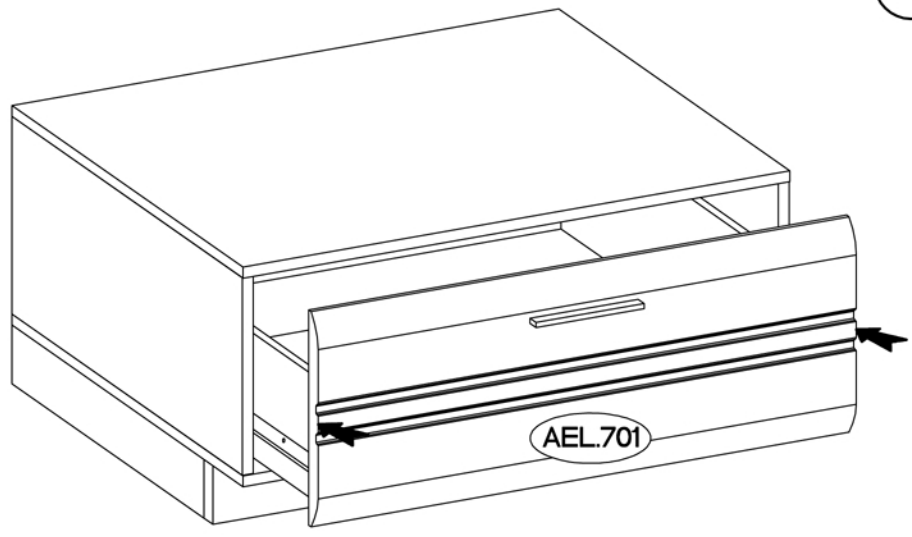
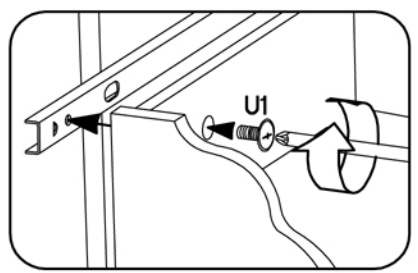

21

4.0x25mm
R
2



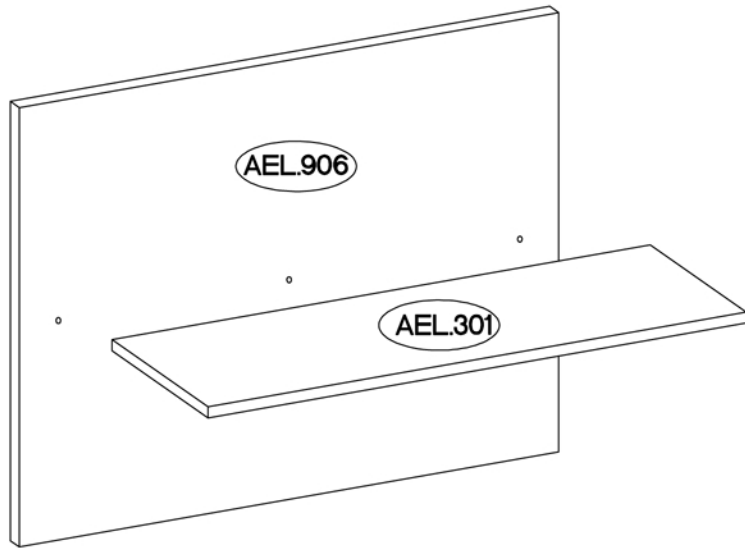
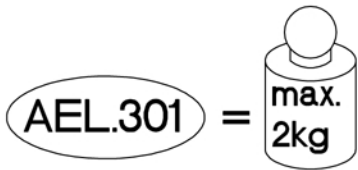
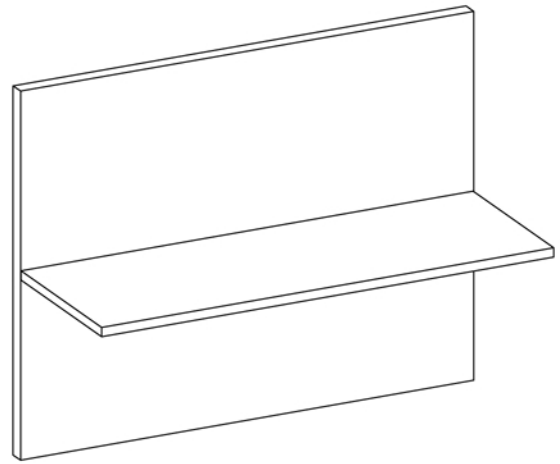
22










M4x9mm
U1
2





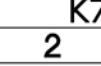
ALFORD

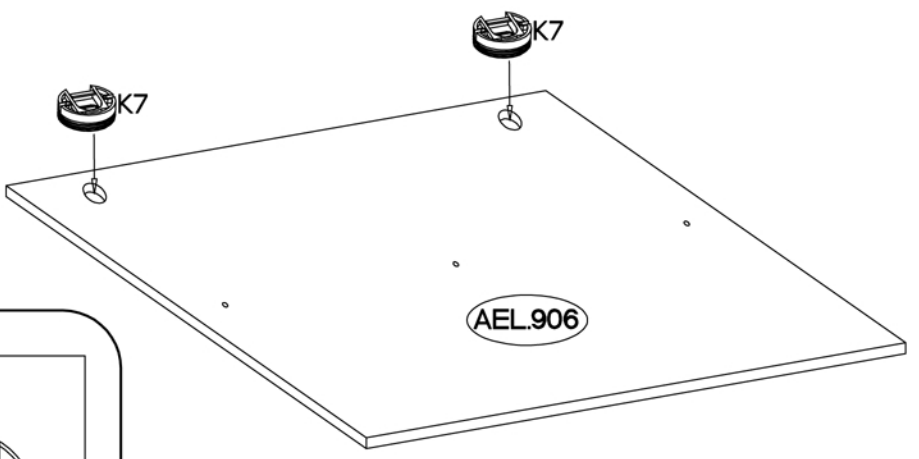
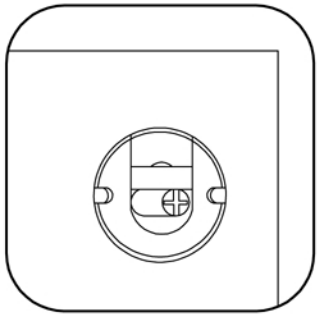
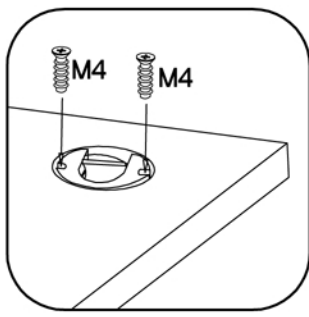
Typ 481







5/45mm	†6,3x9mm	†10x50mm			6,4 x 50mm	†7/2mm
						
O3	M4	O7	K7	O	B	J5
2	4	2	2	1	3	2

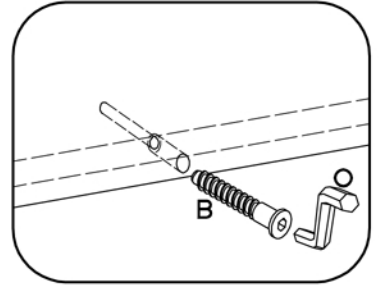
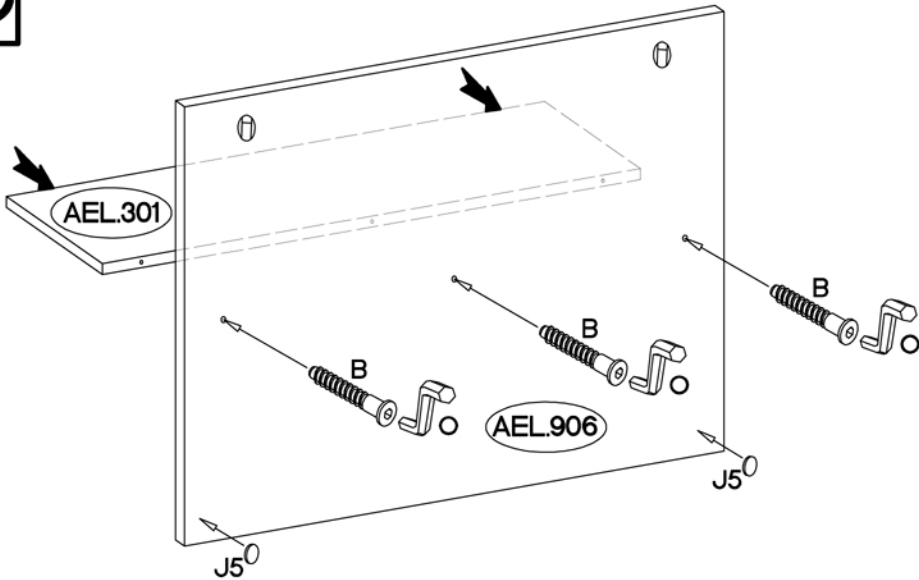
24

$\pm 6,3 \times 9 \text{ mm}$	
	
M4	K7
4	2

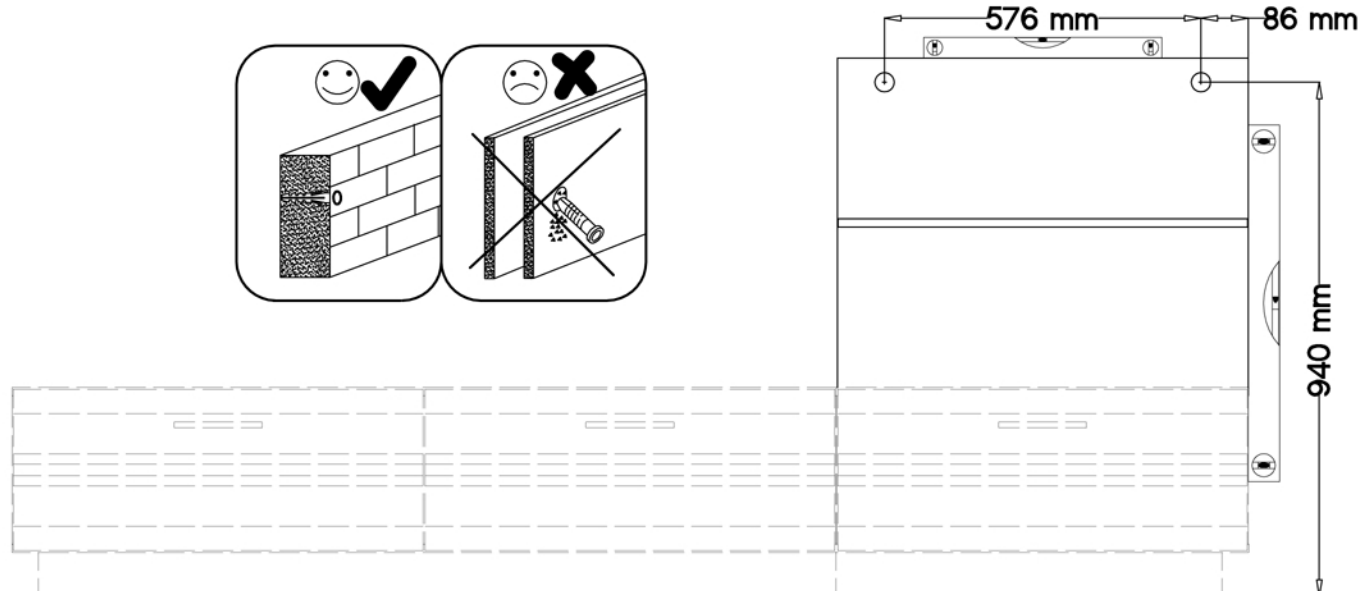
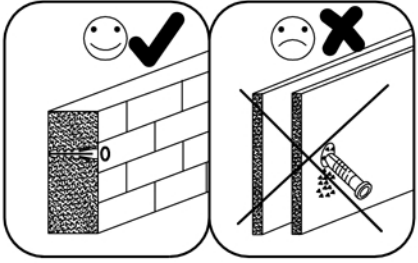


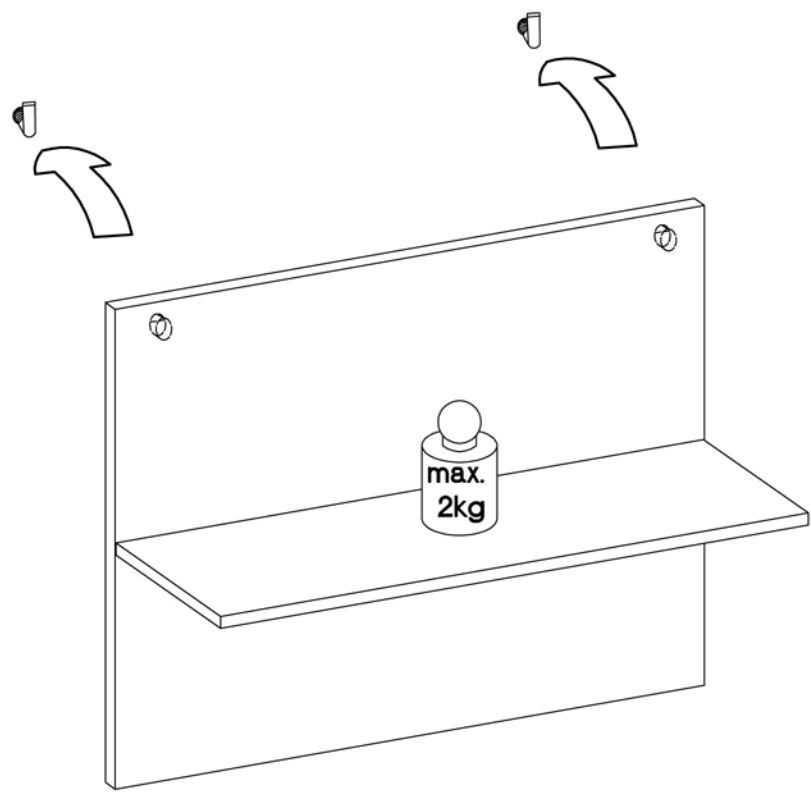
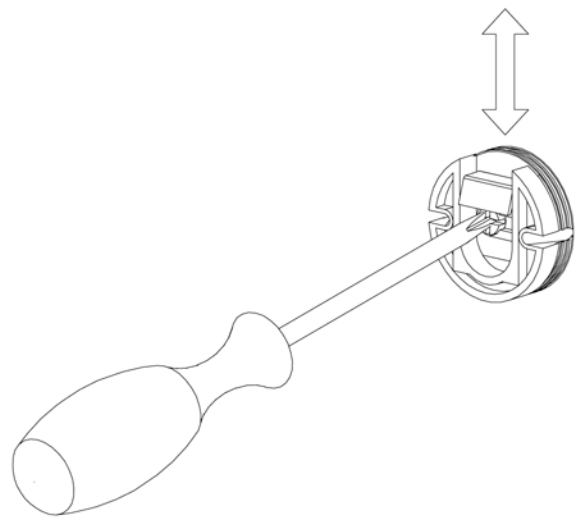
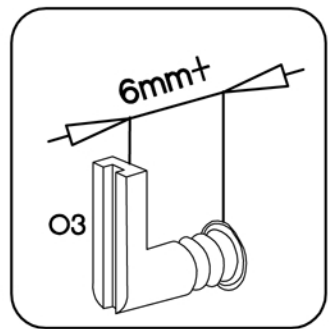
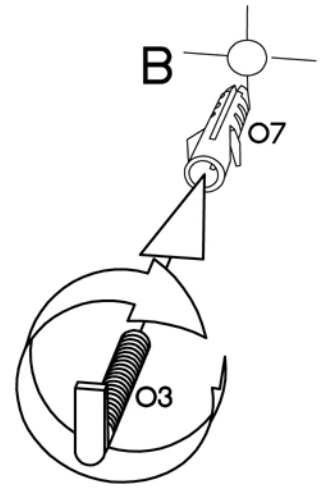
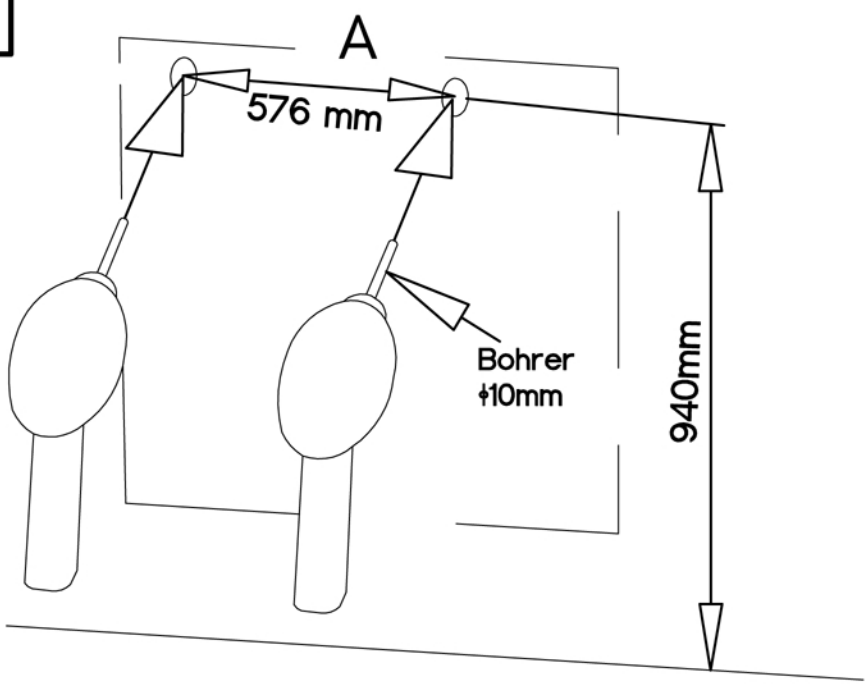
25



$\pm 7/2 \text{ mm}$		$6,4 \times 50 \text{ mm}$
		
J5	O	B
2	1	3



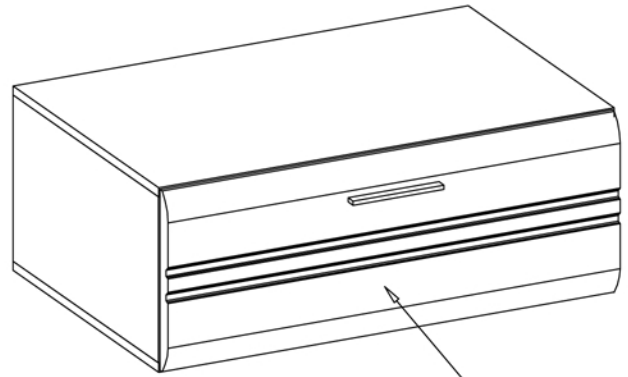
26



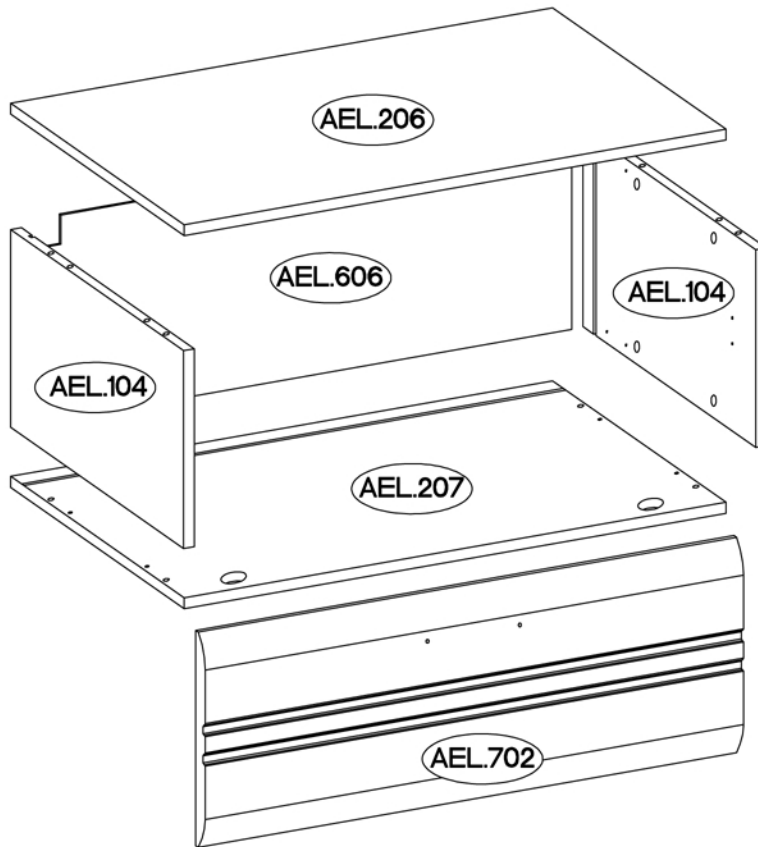
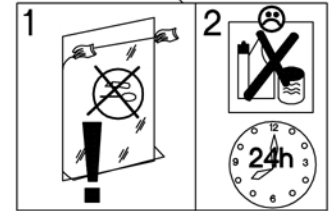


$\varnothing 10 \times 50\text{mm}$	5/45mm
	
O7	O3
2	2

ALFORD Typ 531








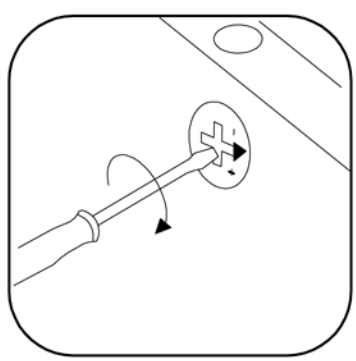
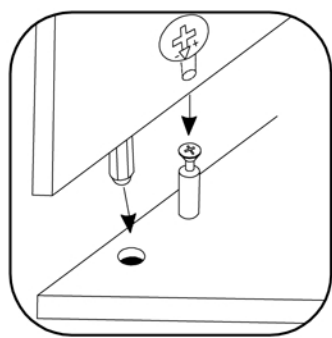
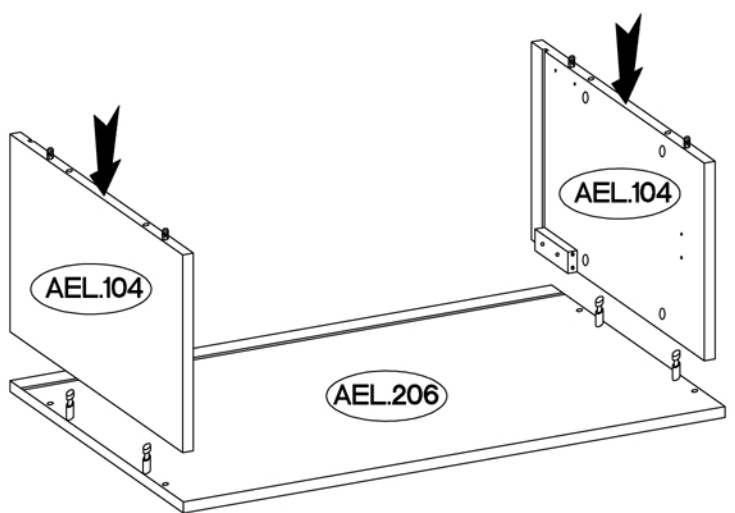
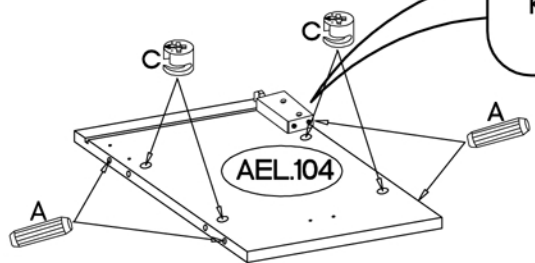
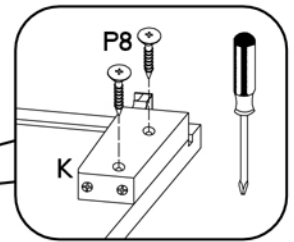
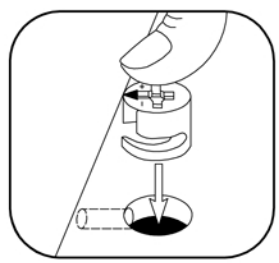
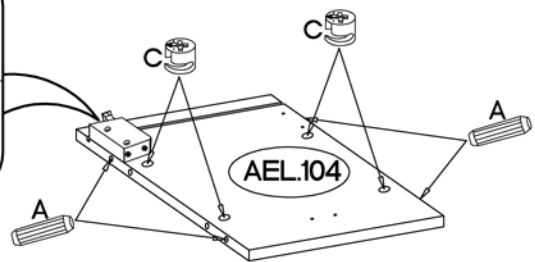
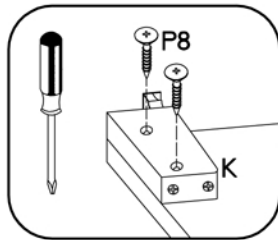
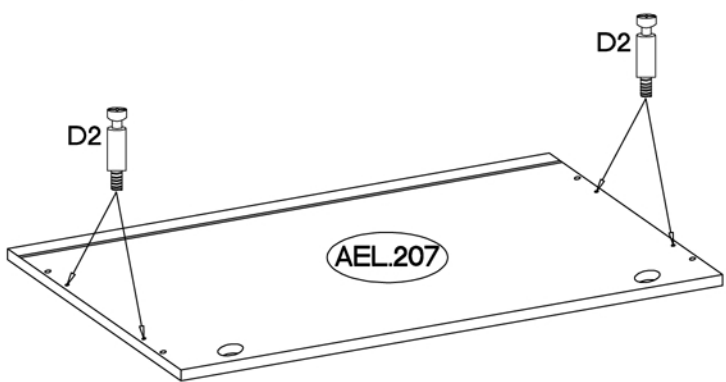
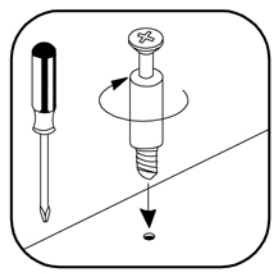
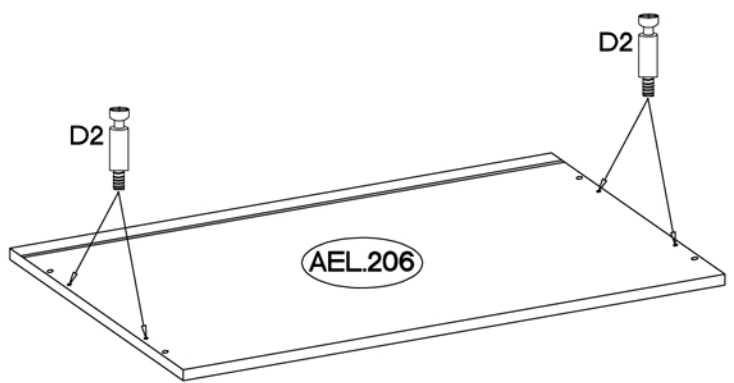
AEL.206 = max. 2kg
AEL.207



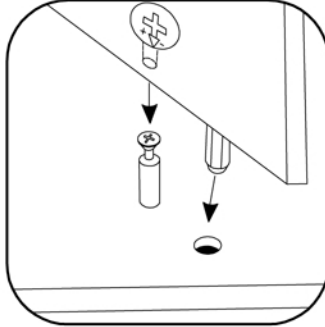
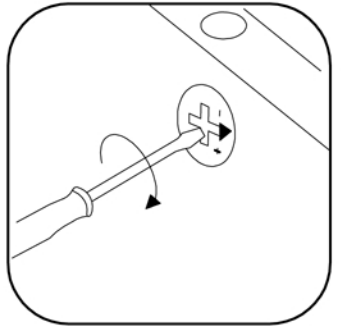
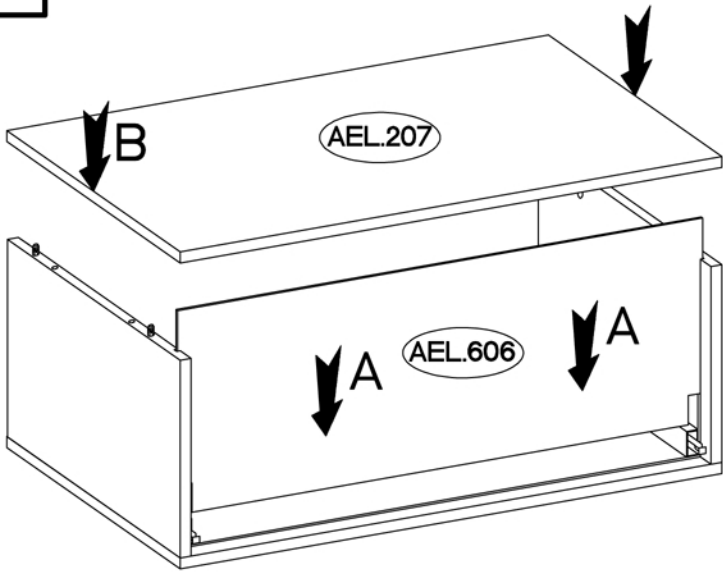
1B:

$\pm 15/12\text{mm}$	$\pm 8 \times 30\text{mm}$	L=20mm	L=128mm	$\pm 4.0 \times 27\text{mm}$	$\pm 3.0 \times 16\text{mm}$	$\pm 35/16\text{mm}$	H=0	$\pm 3.5 \times 13\text{mm}$
C	A	D2	S11	R1	K13	G2	H	P5
8	8	8	1	2	1	2	2	7
K	P8	O4	O7					
2	4	2	2					

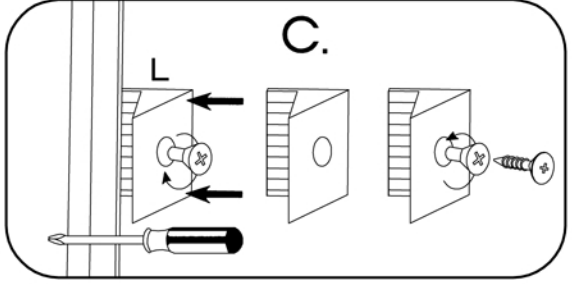
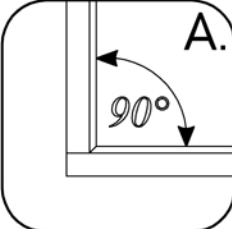
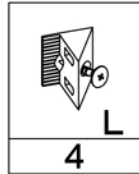
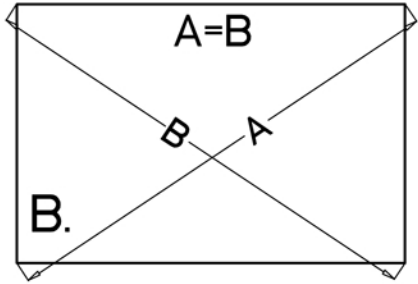
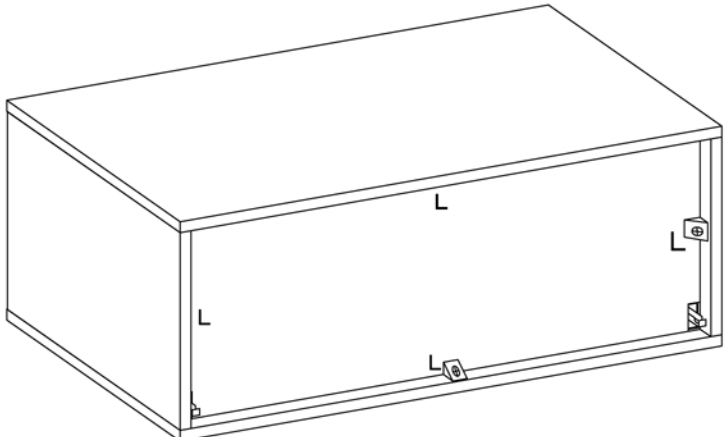
				
C	A	D2	K	P8
8	8	8	2	4



31

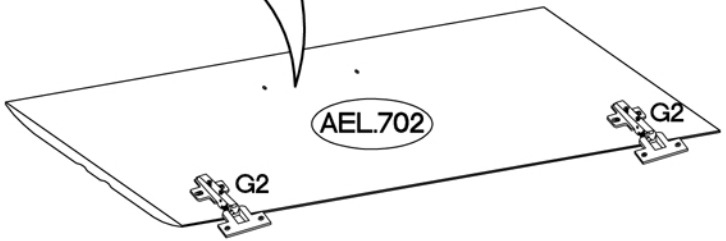
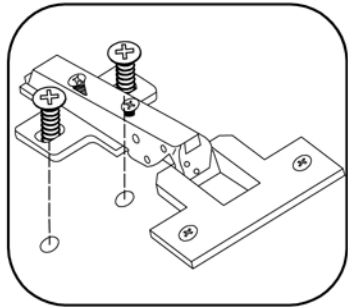
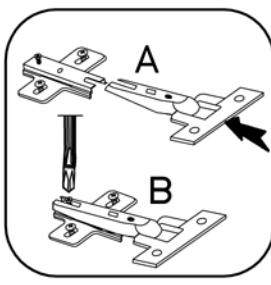
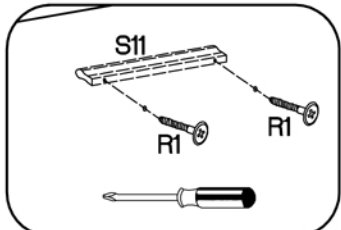


32

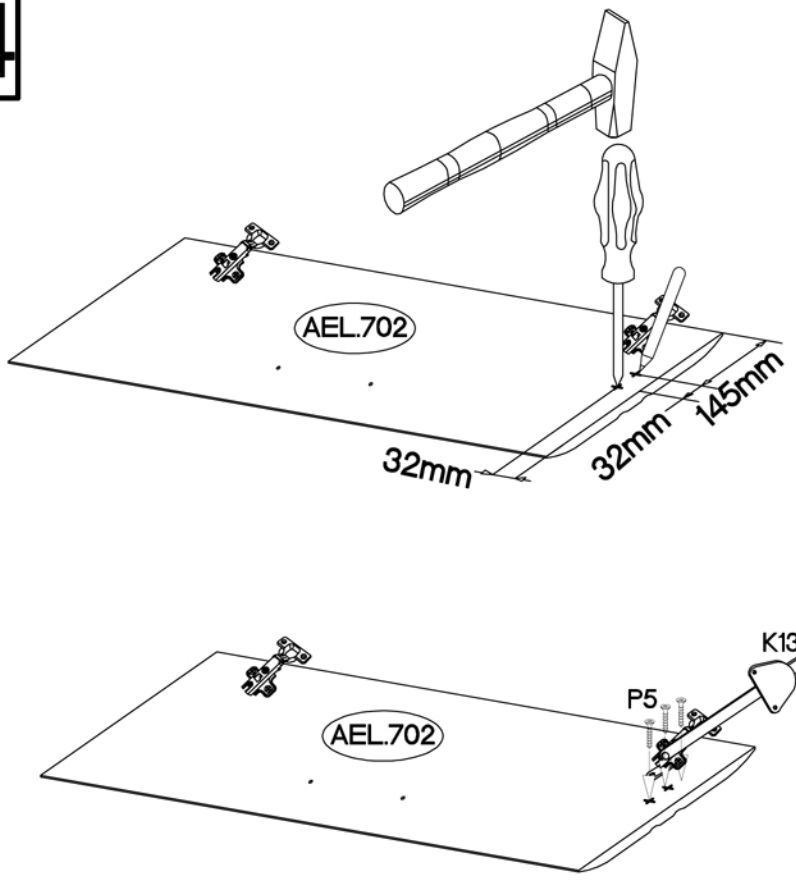



33

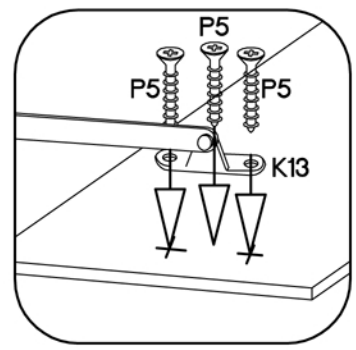
L=128mm	±4.0x27mm	±35/16mm	H=0
1	2	2	2



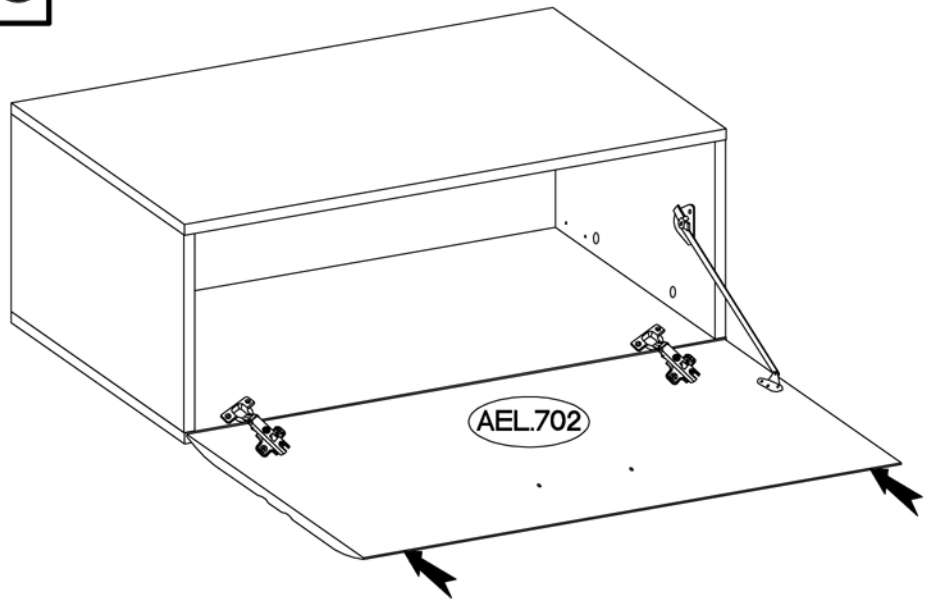
34




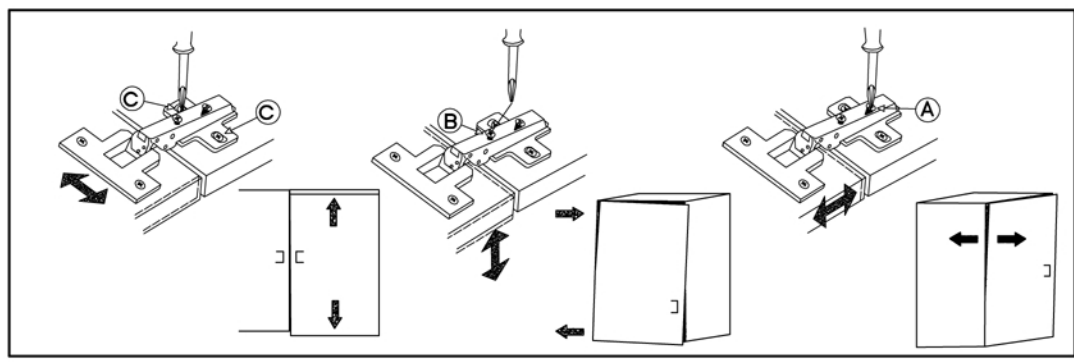
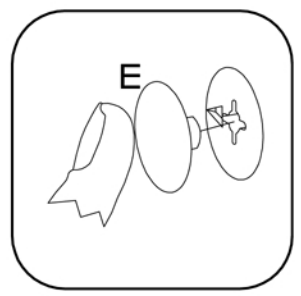
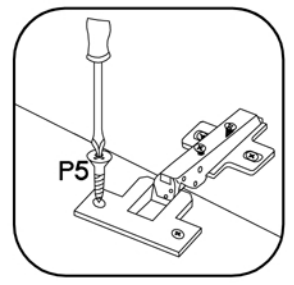
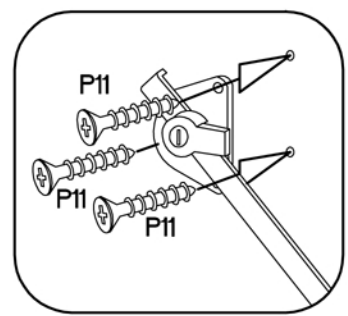
	$\pm 3.5 \times 13 \text{mm}$
K13	P5
1	3



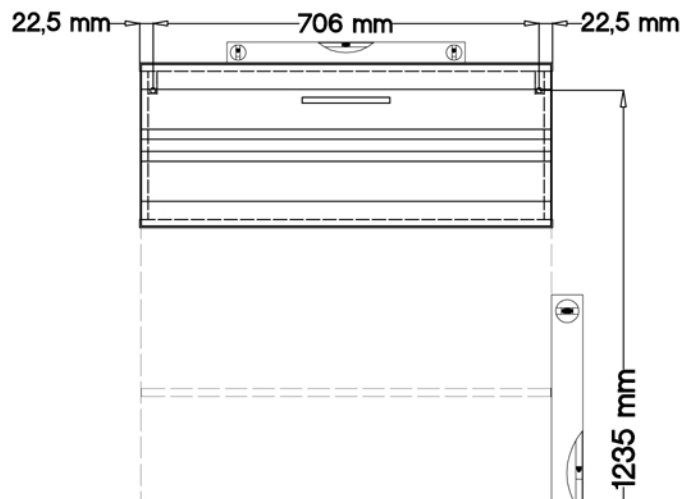
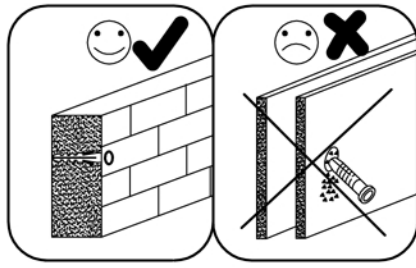
35



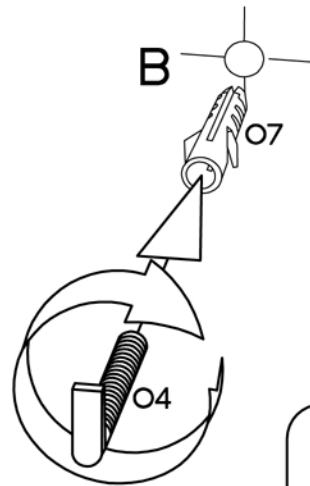
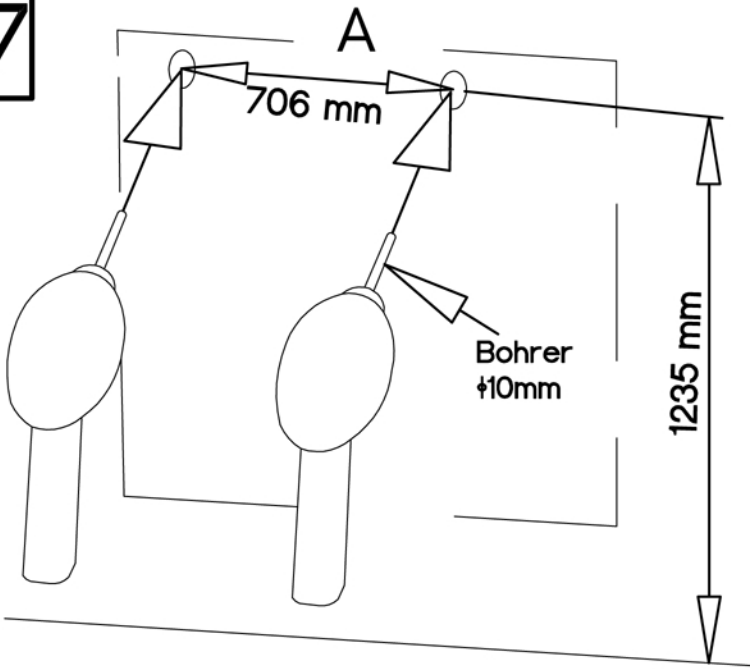
$\pm 3.5 \times 13 \text{mm}$		$\pm 3.0 \times 16 \text{mm}$
P5	E	P11
4	8	3



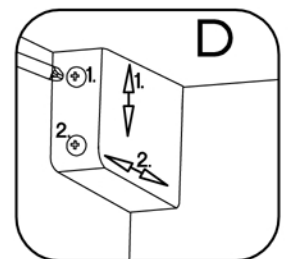
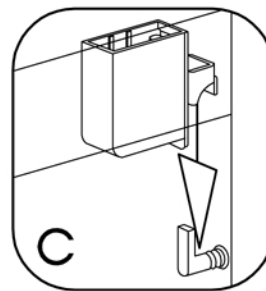
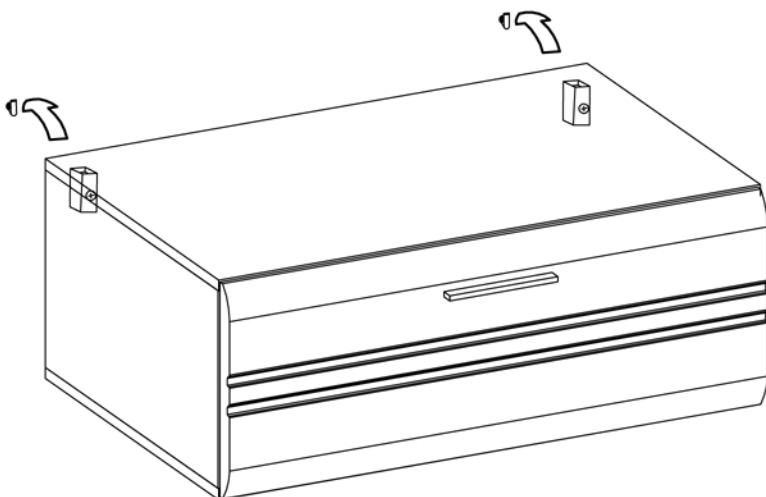
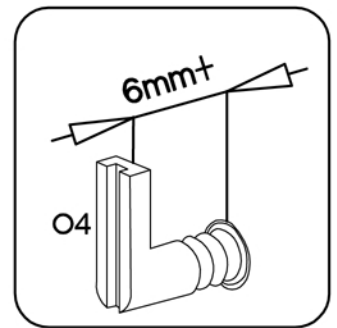
36



37

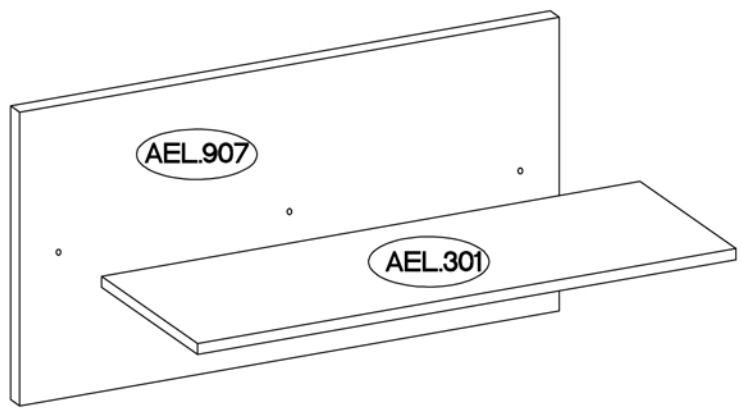
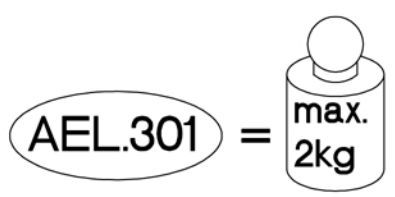
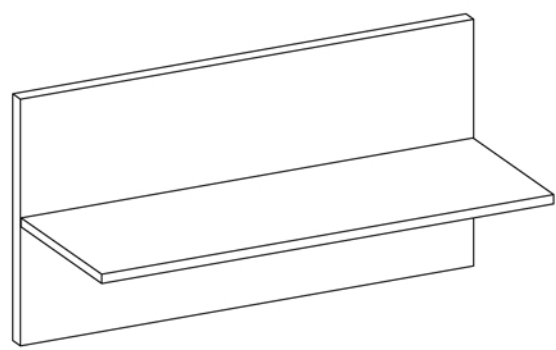











$\varnothing 10 \times 50\text{mm}$	
O7	2
6,5/68mm	
O4	2



ALFORD

Typ 483



5/45mm	†6,3x9mm	†10x50mm			6,4 x 50mm	†7/2mm
						
O3	M4	O7	K7	O	B	J5
2	4	2	2	1	3	2

39

+6,3x9mm



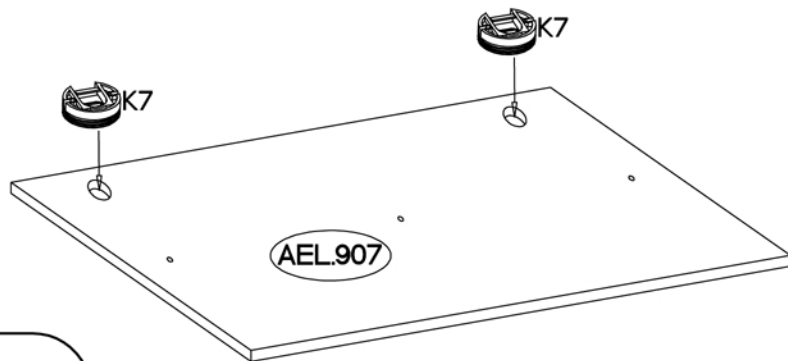
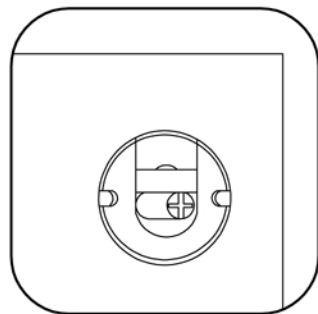
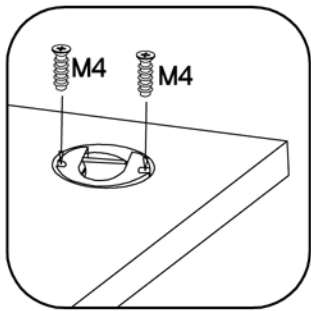
M4

4



K7

2



40

±7/2mm



J5

2



O

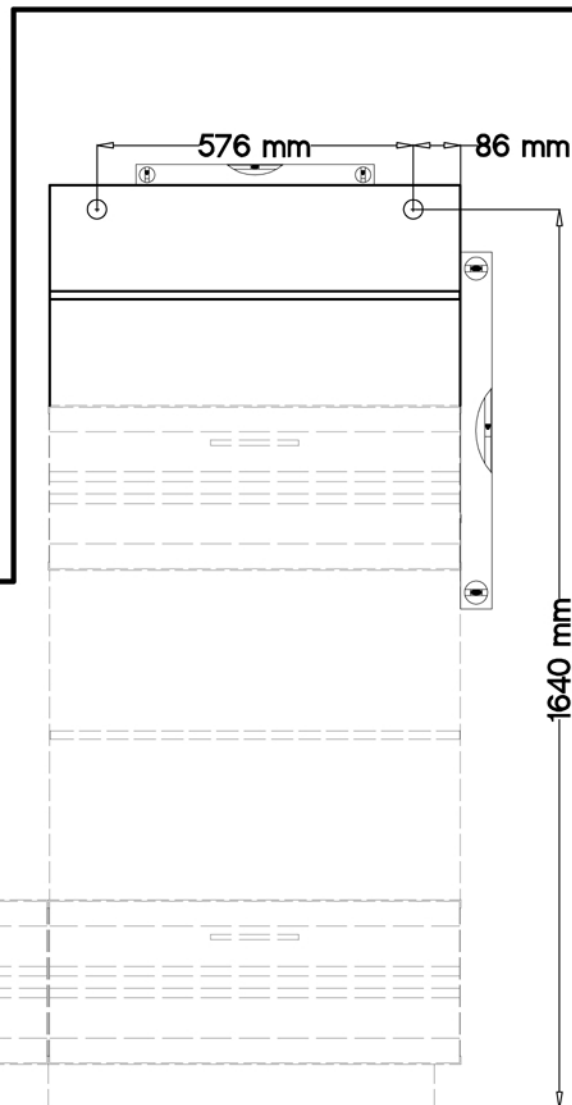
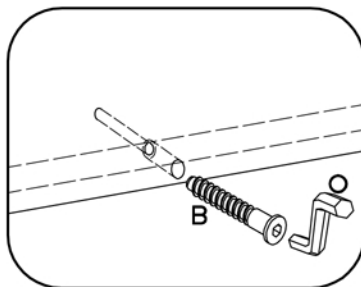
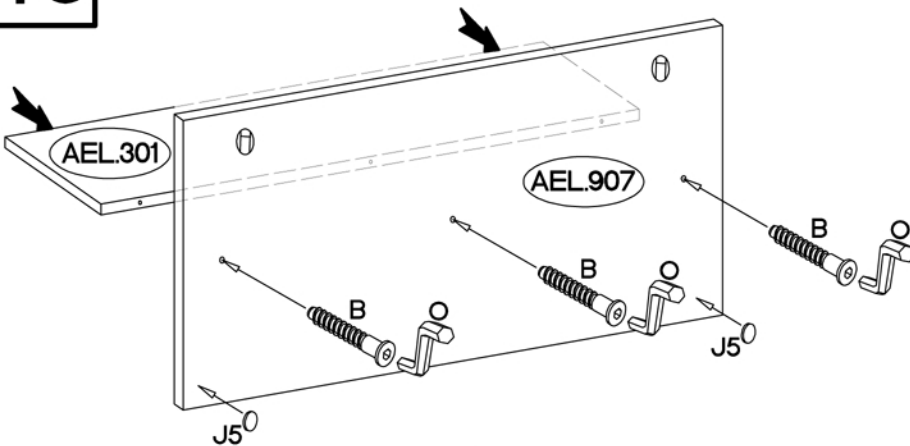
1

6,4 x 50mm

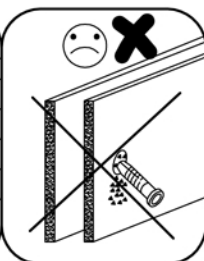
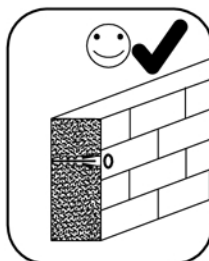


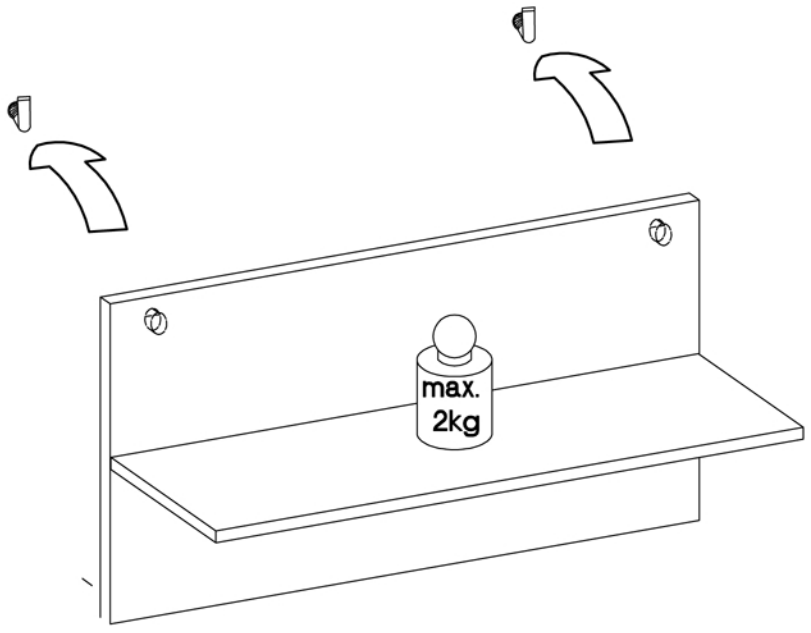
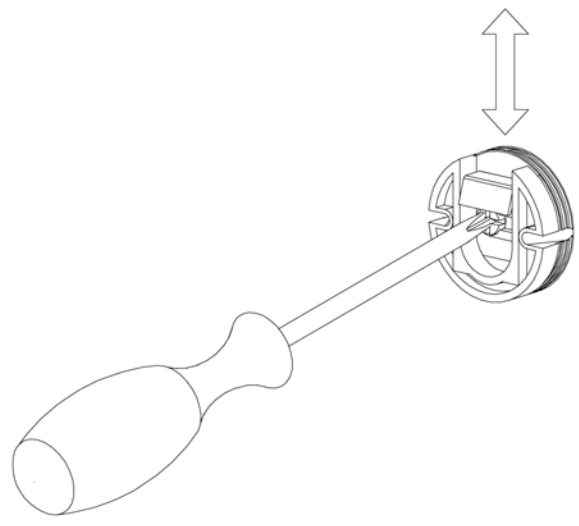
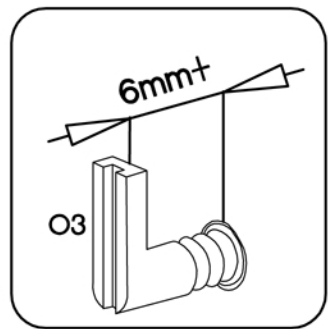
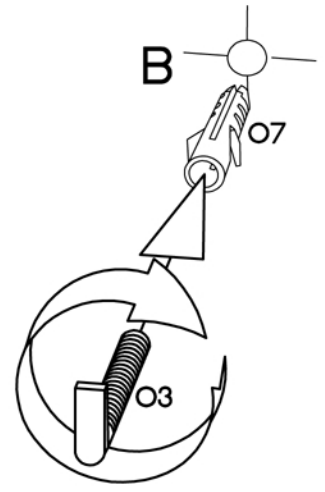
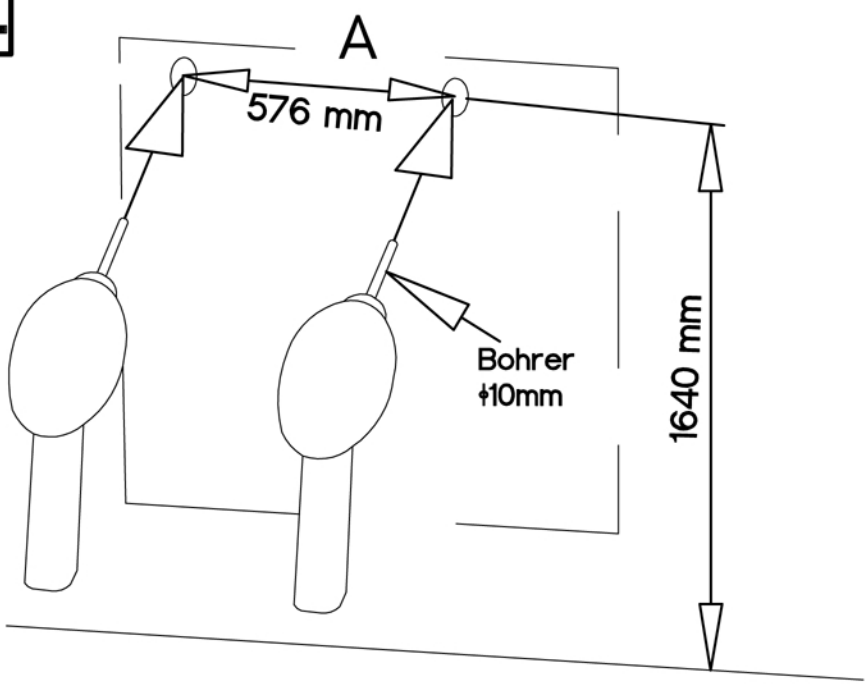
B



3



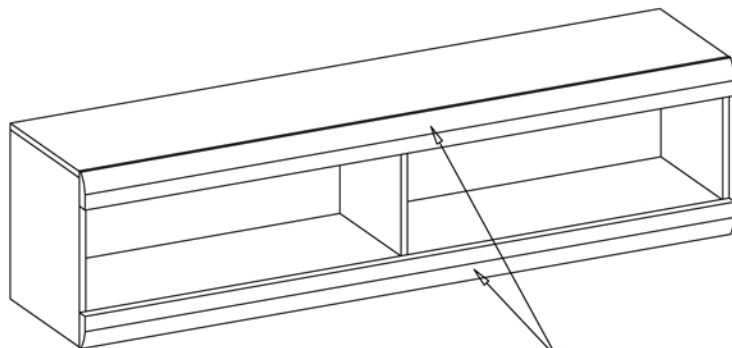
41




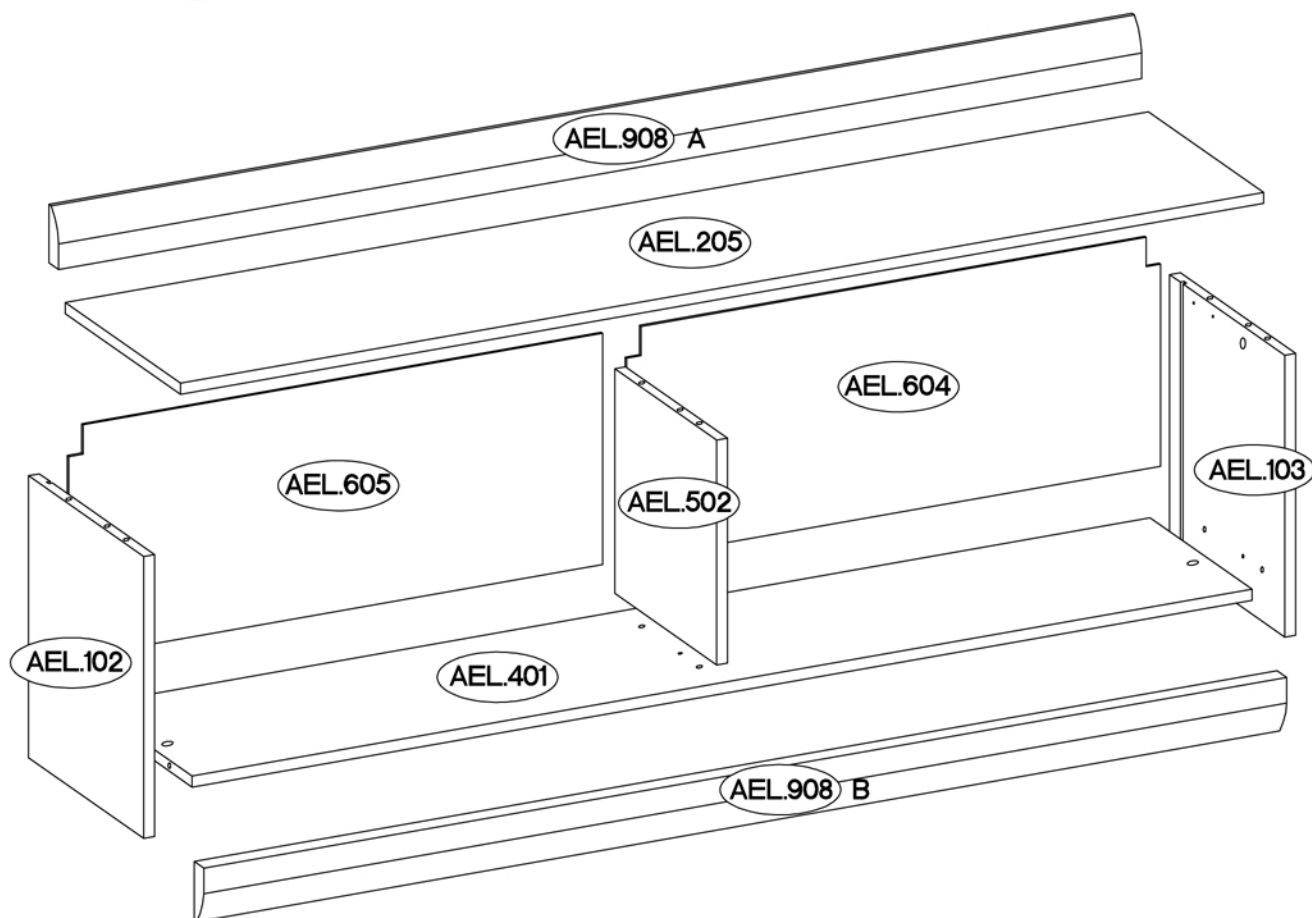
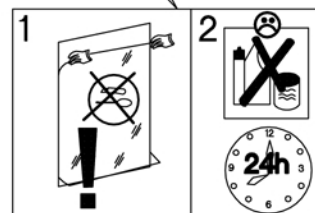


$\varnothing 10 \times 50\text{mm}$	5/45mm
	
O7	O3
2	2






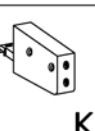




ALFORD Typ 485


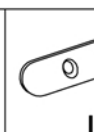






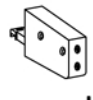



AEL.401 =  max. 2kg

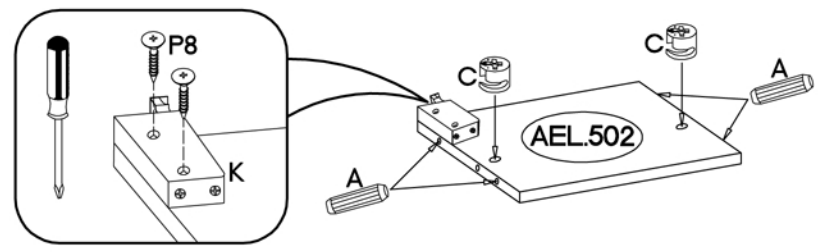
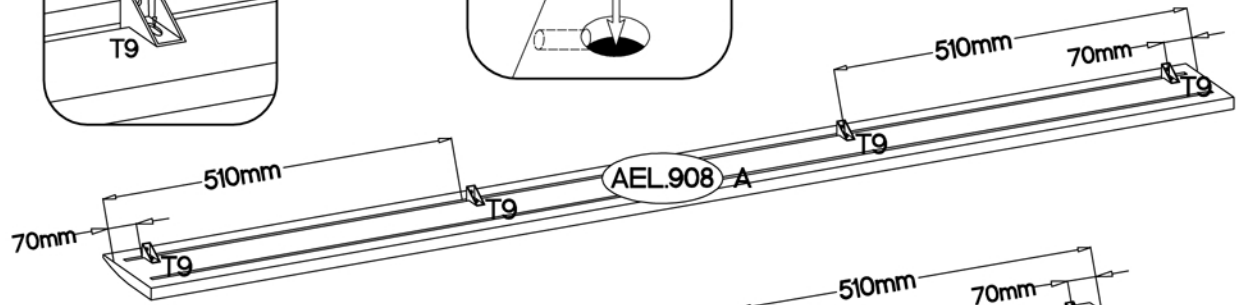
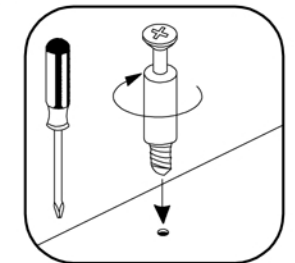
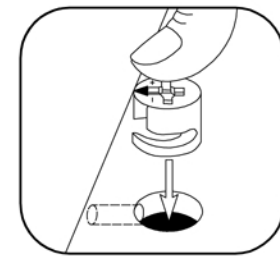
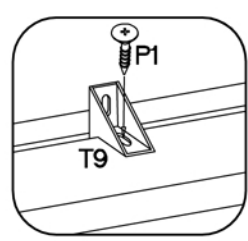
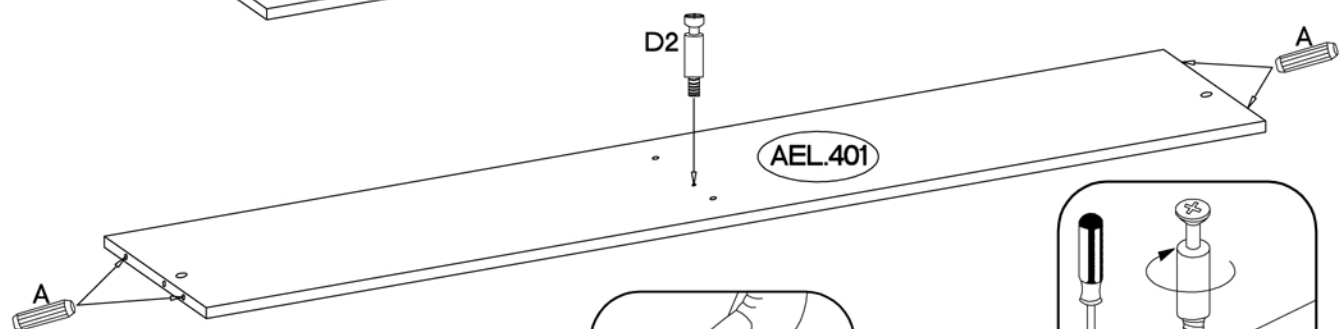
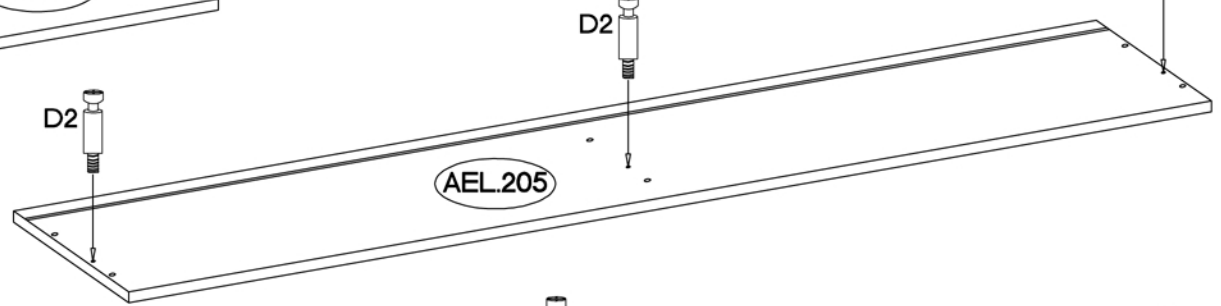
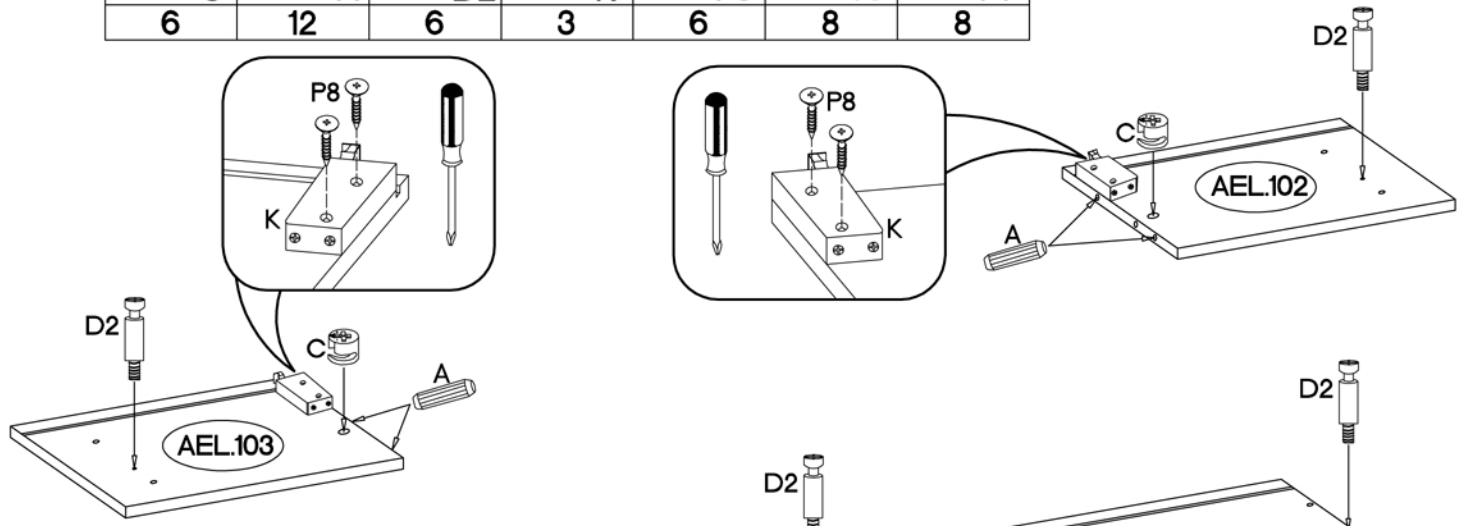


 1B:

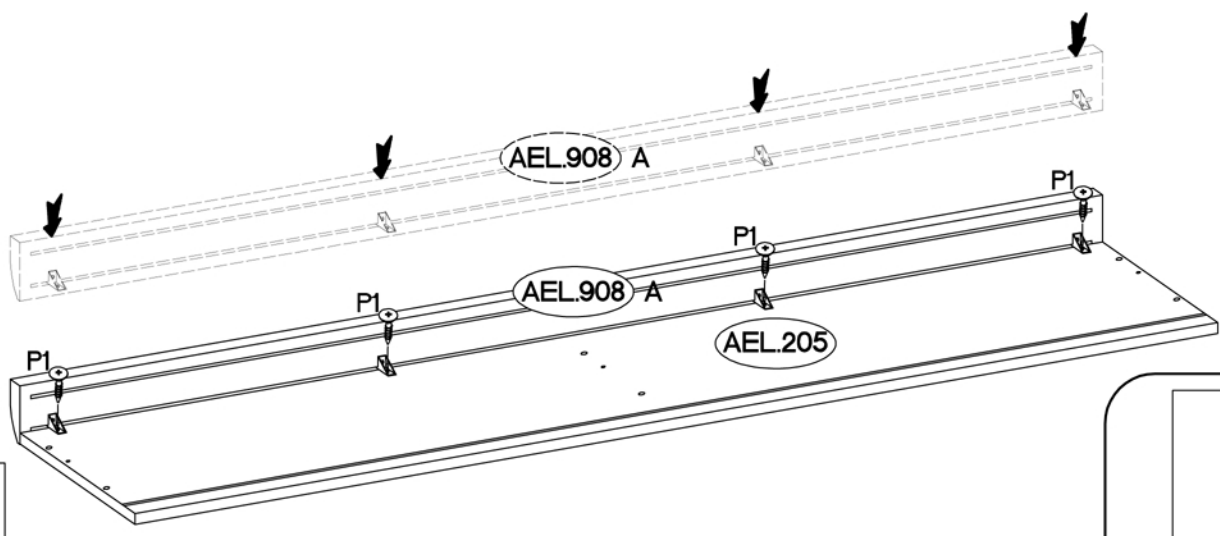
 +15/12mm C	 +8x30mm A	 L=20mm D2	 E	 L	 K	 +4.0x30mm P8	 6,5/68mm O4	 +10x50mm O7	 T9
6	12	6	6	6	3	6	3	3	8


 +3.0x20mm P7	 L2	 +4.0x16mm P1
12	2	16

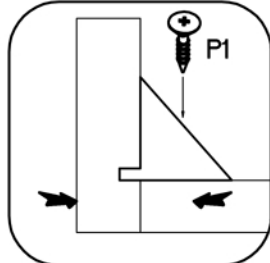
±15/12mm 	±8x30mm 	L=20mm 		±4.0x30mm 		±4.0x16mm 
C	A	D2	K	P8	T9	P1
6	12	6	3	6	8	8



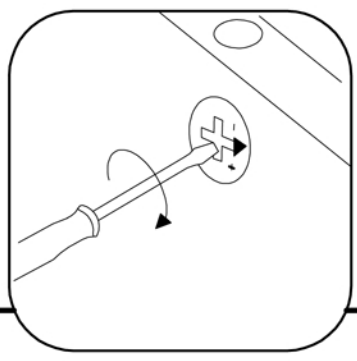
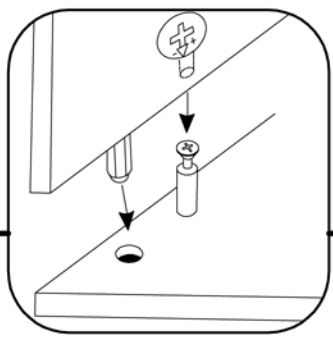
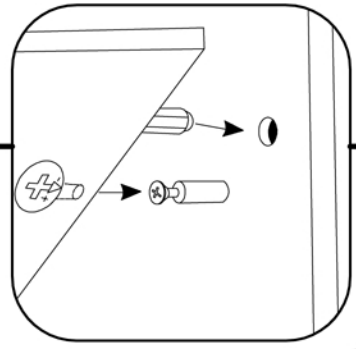
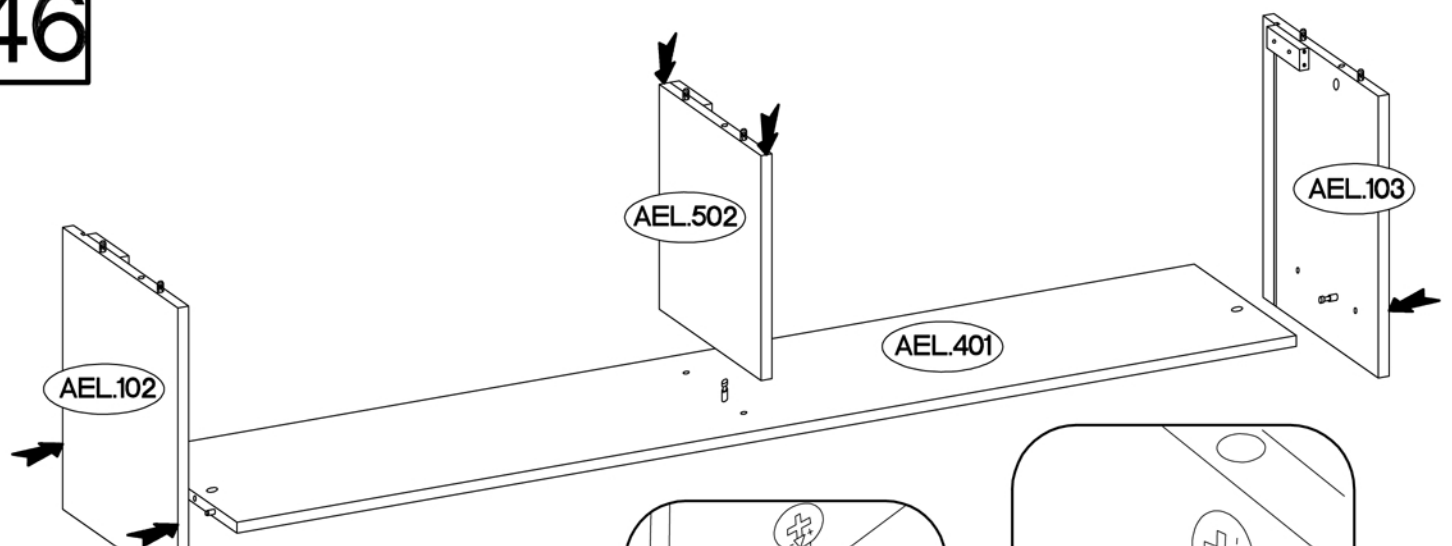
45



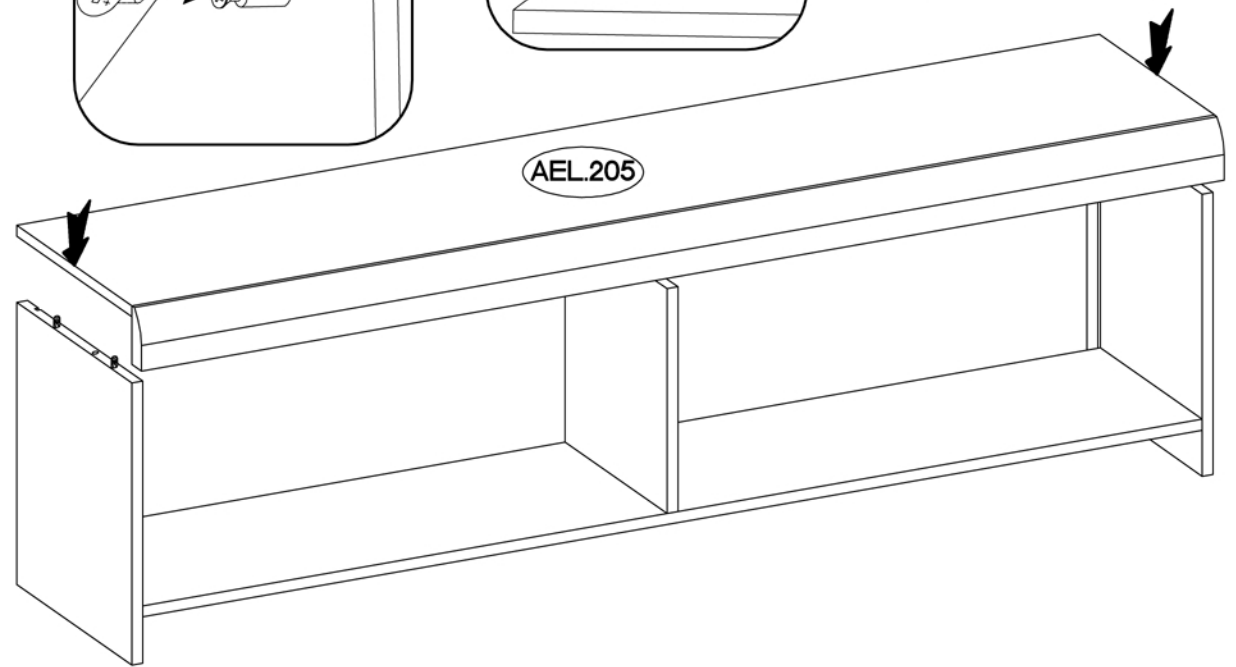
4.0x16mm

 P1
 4



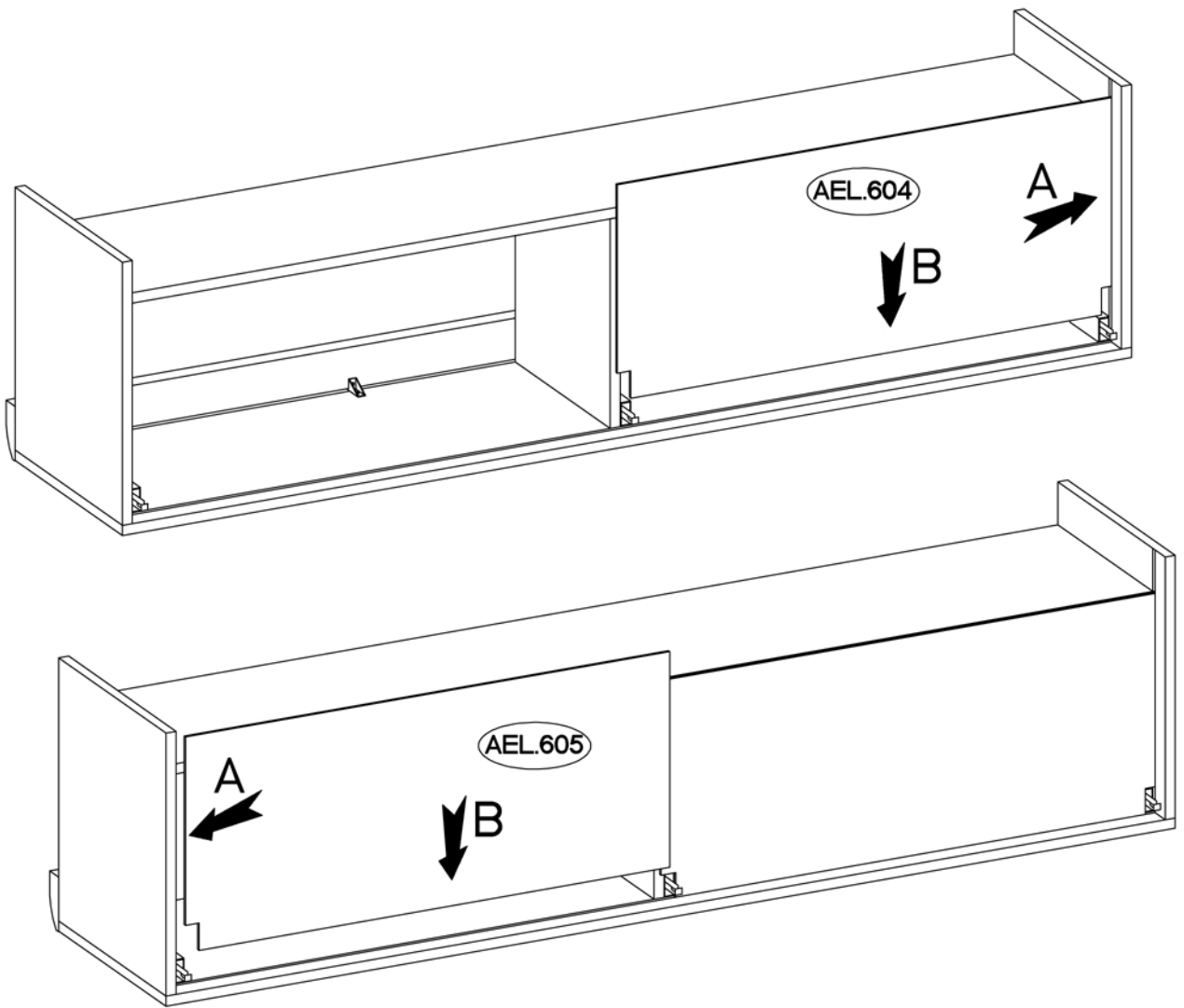
46



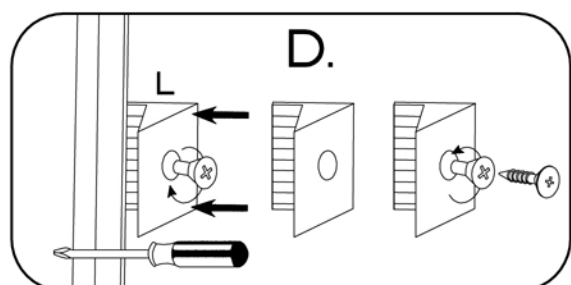
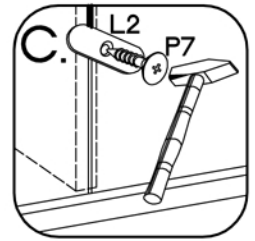
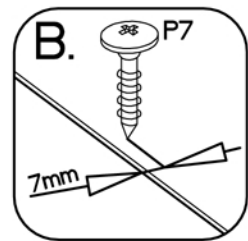
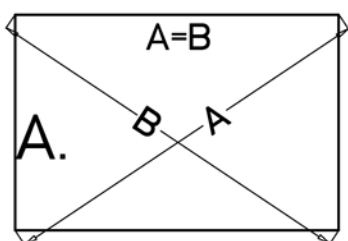
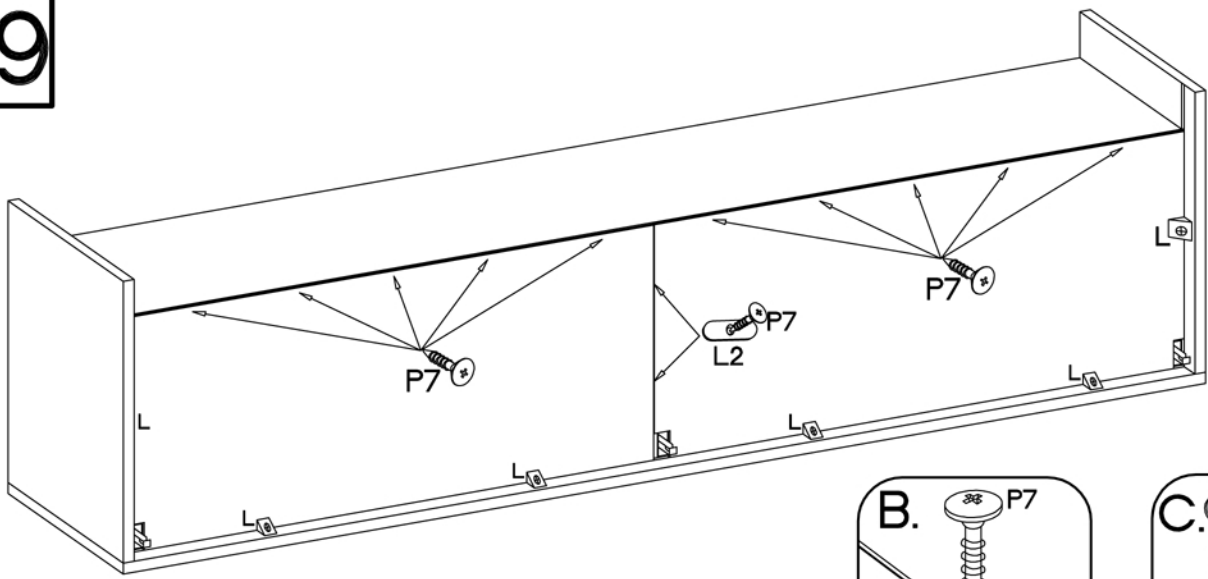
47






48

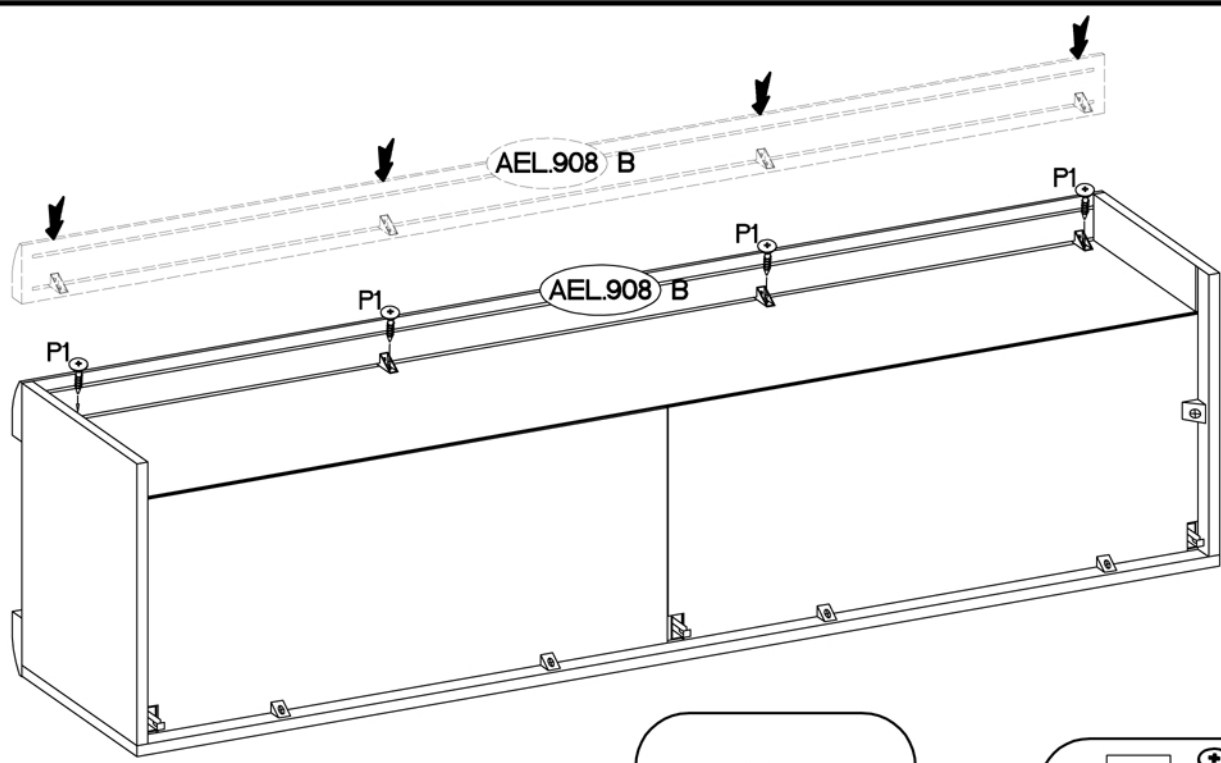




49

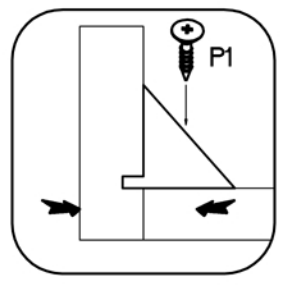
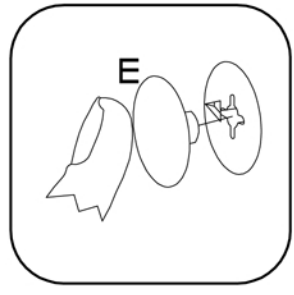


		
L	P7	L2
6	12	2

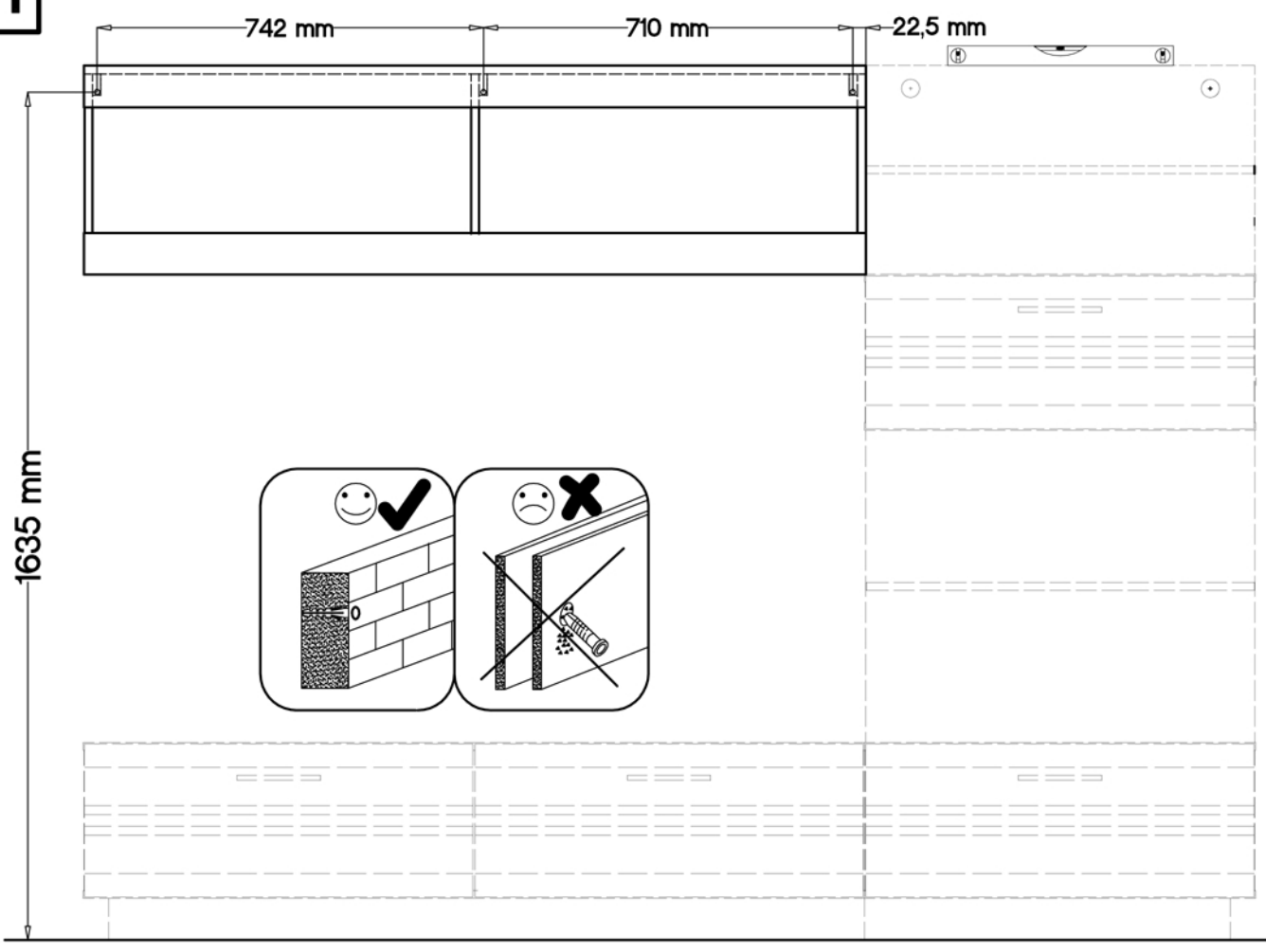
50





+4.0x16mm  P1 4	 E 6
---	---



51



6,5/68mm	†10x50mm
	
O4	O7
3	3

