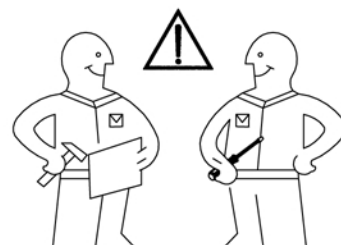
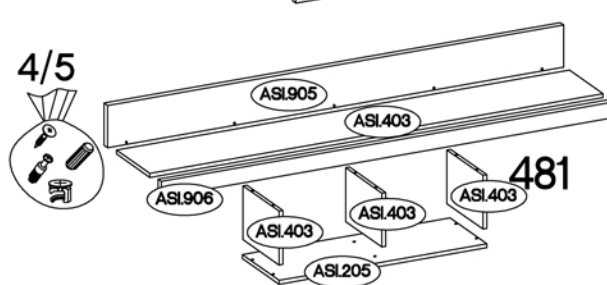
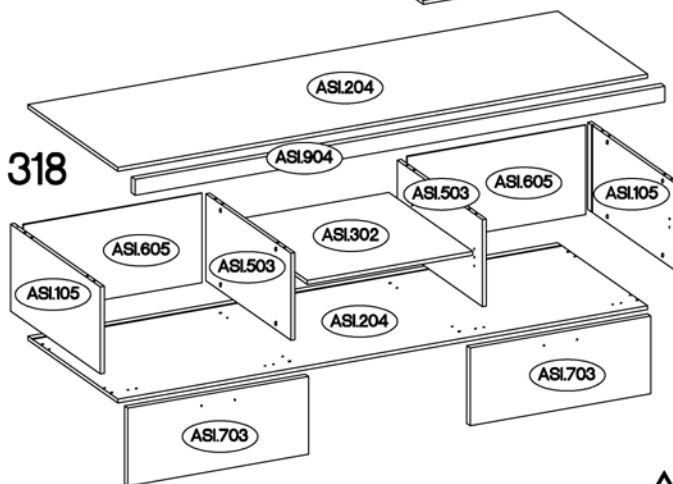
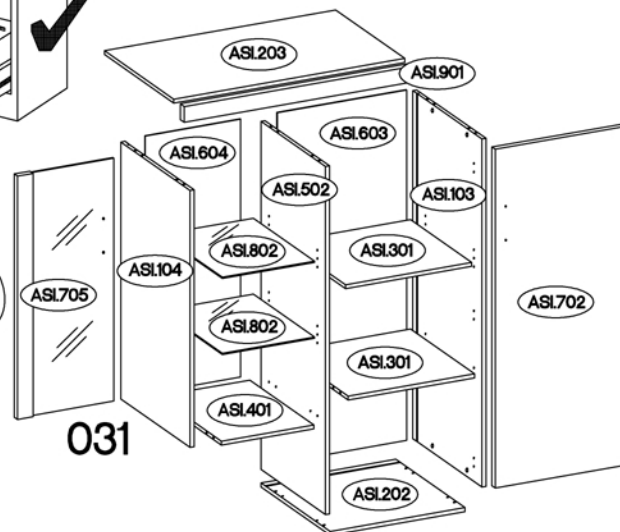
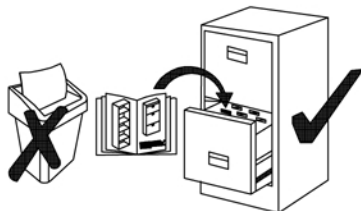
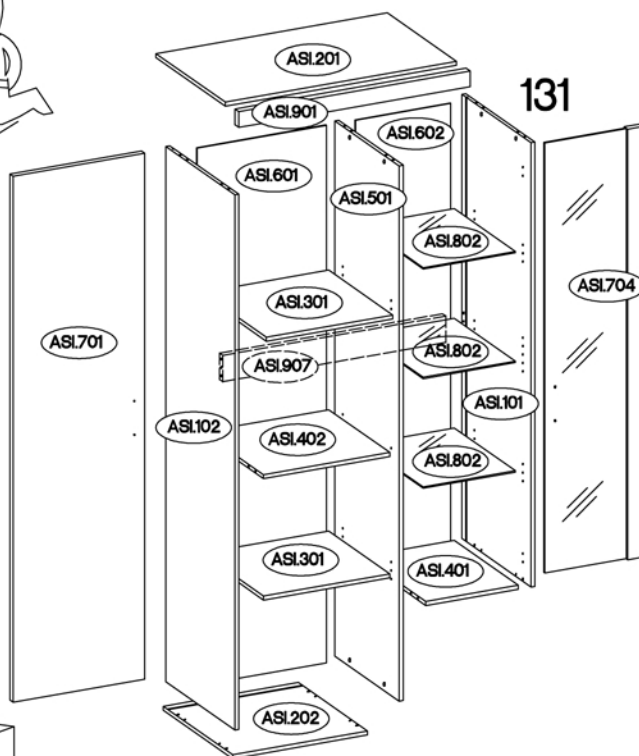
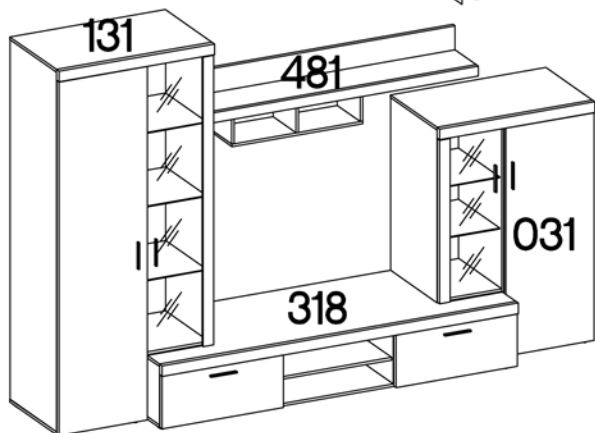
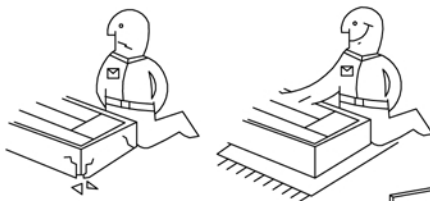


# ALTON



Coli	Typ	Ersatzteil Nummer	Dimension
1/5	131	ASI.601	2039x498x2,5
		ASI.501	2030x298x15
		ASI.704	1633x375x16
		ASI.102	2030x320x15
		ASI.701	506x1995x15
ASI.602	1688x367x2,5		

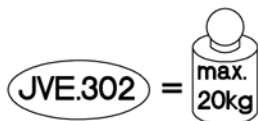
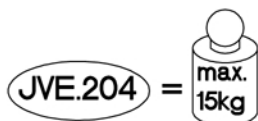
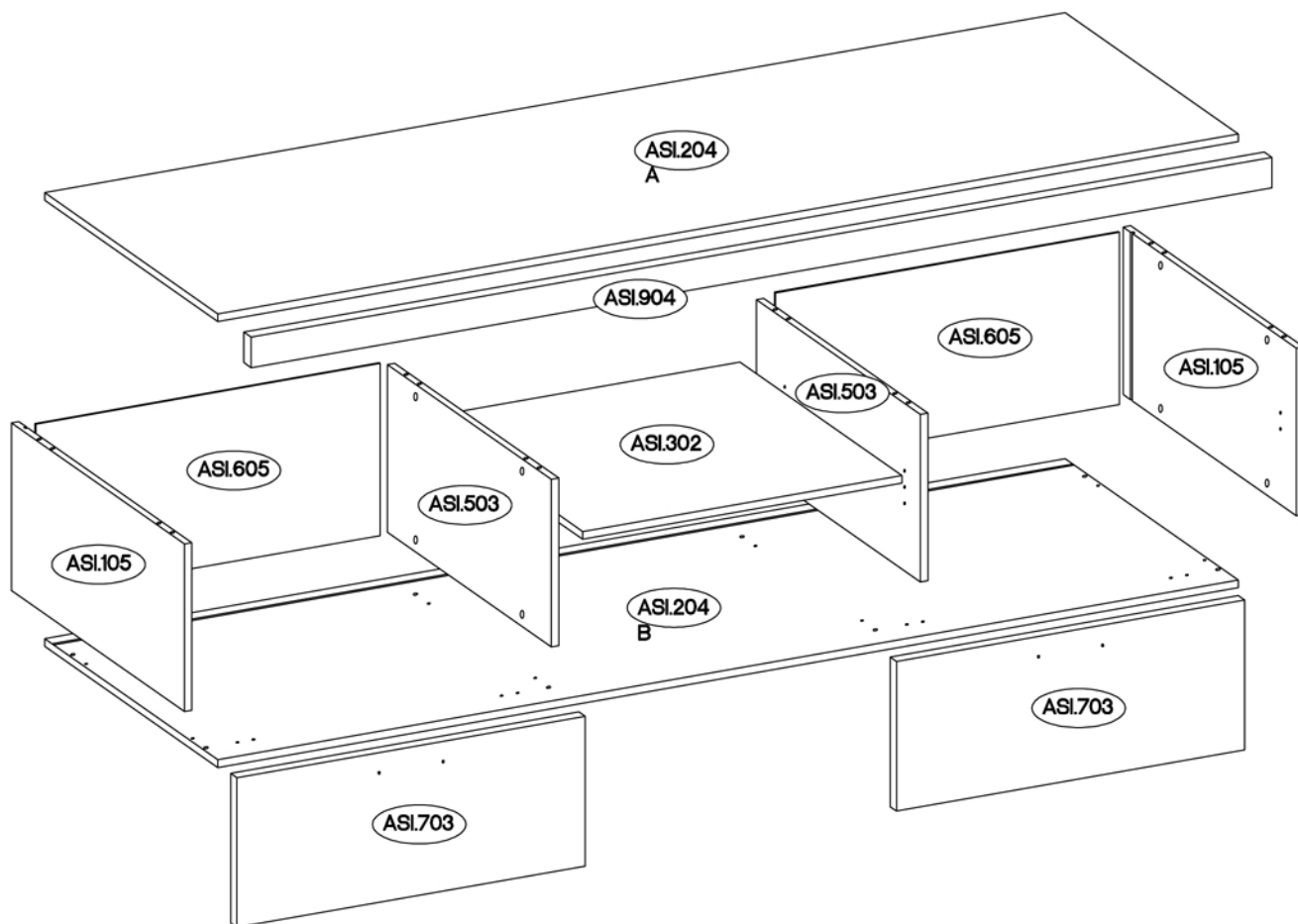
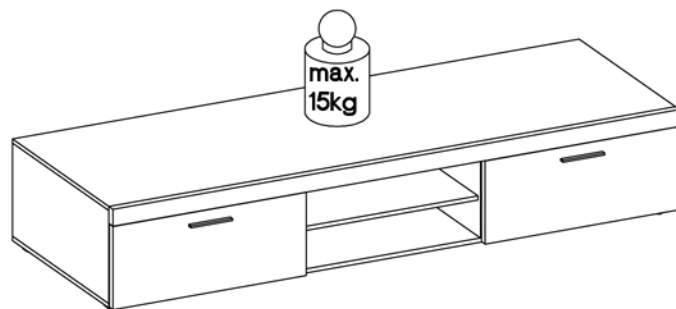
Coli	Typ	Ersatzteil Nummer	Dimension
2/5	131 031	ASI.901 x2	890x60x18
		ASI.907	858x100x15
		ASI.401	356x297x15
		ASI.802 x5	355x283x5
		ASI.301 x2	486x283x15
		ASI.402 x2	487x297x15
		ASI.201	890x320,5x15
		ASI.202	519x320,5x15
ASI.101	1685x320x15		


















Coli	Typ	Ersatzteil Nummer	Dimension
3/5	031	ASI.202	519x320,5x15
		ASI.301	486x283x15
		ASI.203	890x320,5x15
		ASI.401	356x297x15
		ASI.502	1320x298x15
		ASI.705	923x375x16
		ASI.103	1320x320x15
		ASI.702	506x1285x15
		ASI.603	1329x498x2,5








Coli	Typ	Ersatzteil Nummer	Dimension
4/5	481	ASI.504 x3	204x168x15
		ASI.205	800x170x15
	318	ASI.703 x2	696x295x15
		ASI.503 x2	330x394x15
		ASI.105 x2	330x416x15
		ASI.302	638x389x15
	031	ASI.104	975x320x15
		ASI.604	978x367x2,5

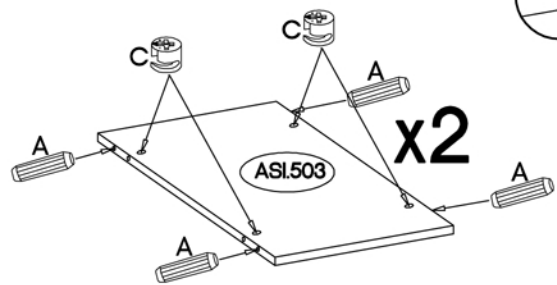
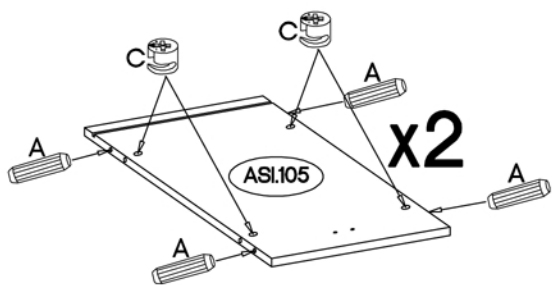
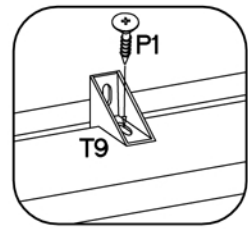
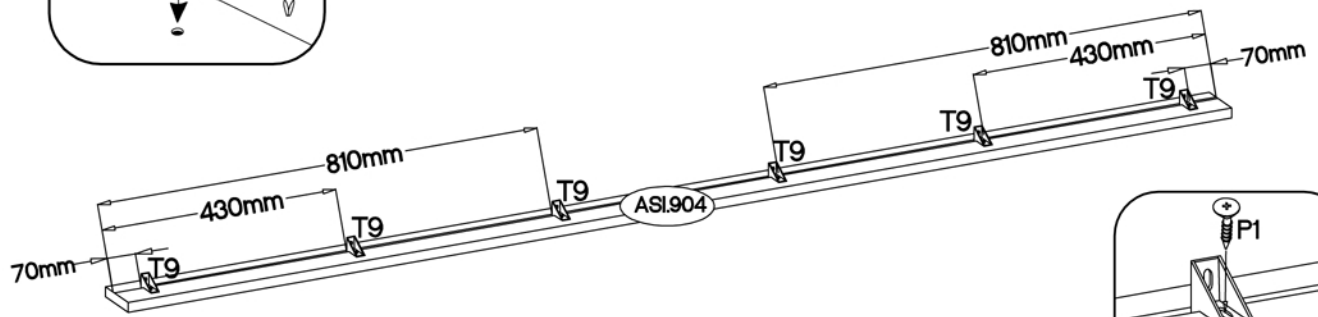
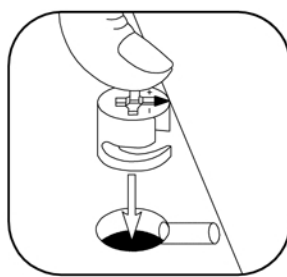
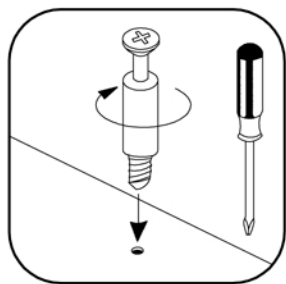
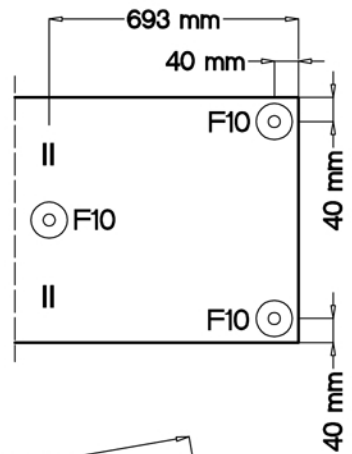
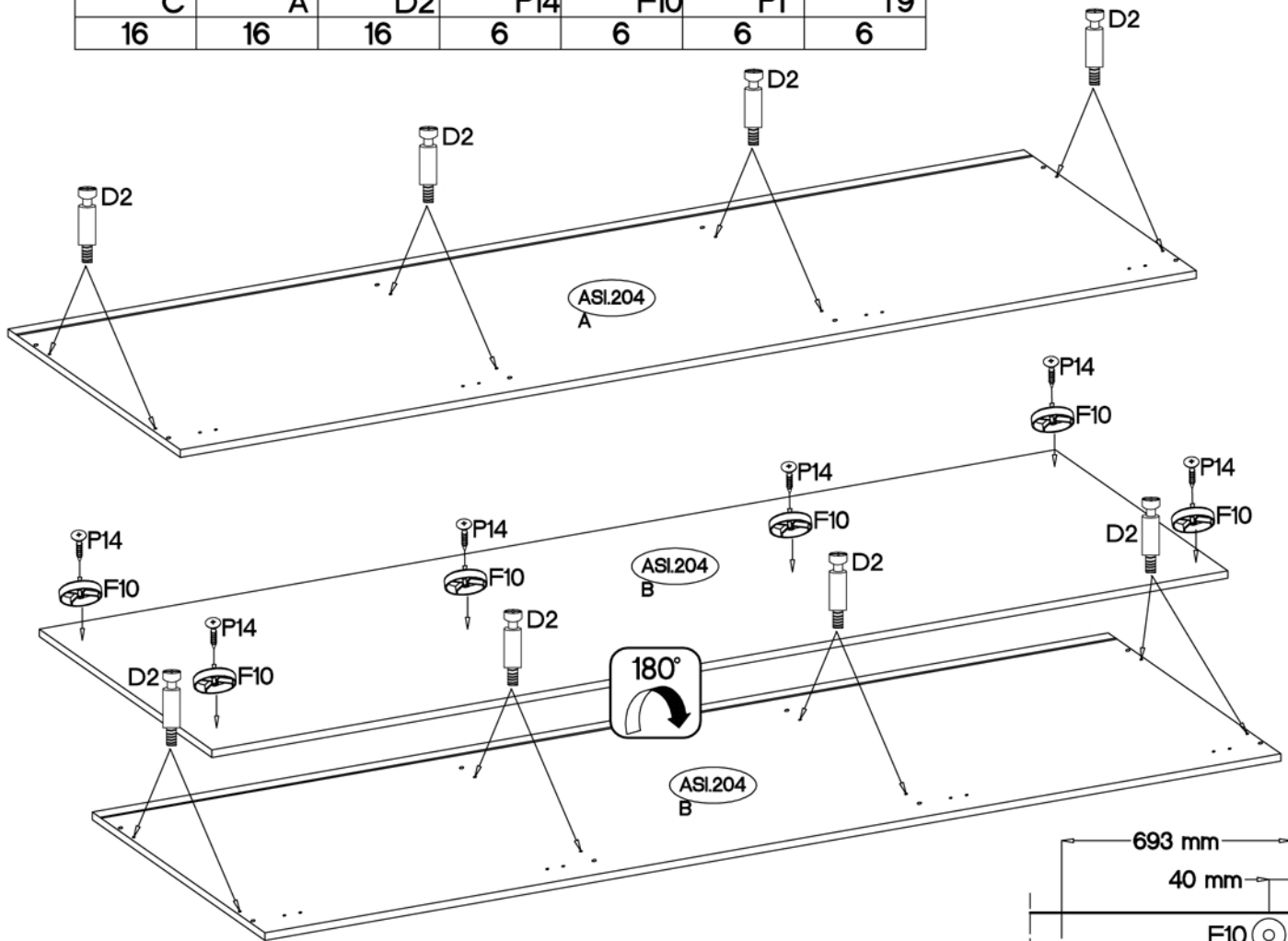
Coli	Typ	Ersatzteil Nummer	Dimension
5/5	481	ASI.905	1746x160x15
		ASI.403	1744x155x15
		ASI.906	1746x60x16
	318	ASI.904	2040x60x18
		ASI.204 x2	2040x416,5x15
		ASI.605 x2	688x339x2,5

# ALTON Typ 318



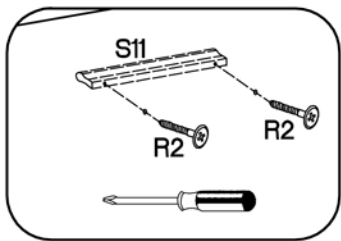
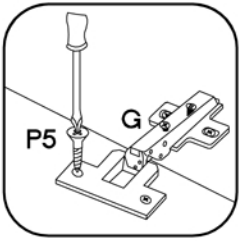
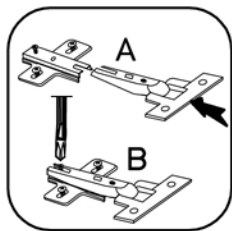
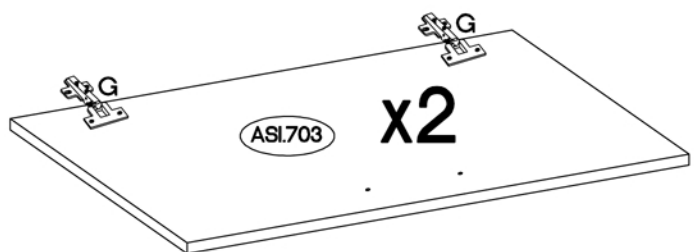
 P1	 T9	 G	 H	 S11	 R2	 J1			
12	6	4	4	2	4	4			
 C	 A	 D2	 P14	 F10	 P5	 K13	 L	 E	 P11
16	16	16	6	6	14	2	6	16	12

						
C	A	D2	P14	F10	P1	T9
16	16	16	6	6	6	6



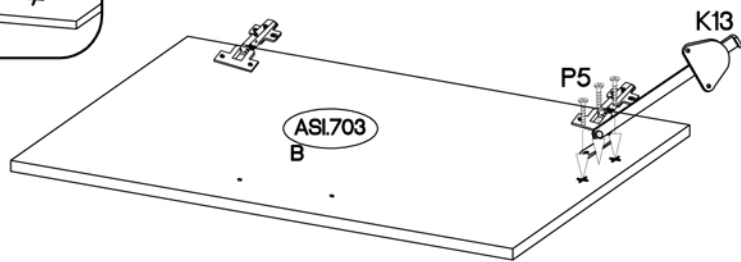
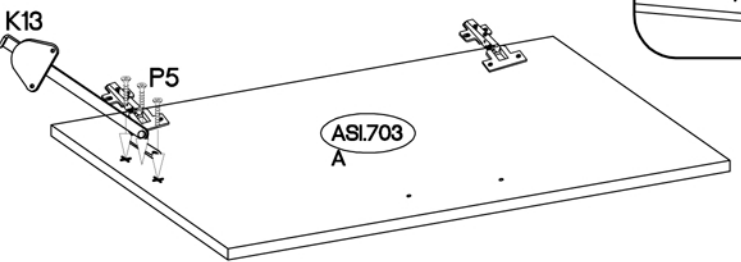
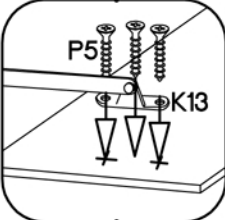
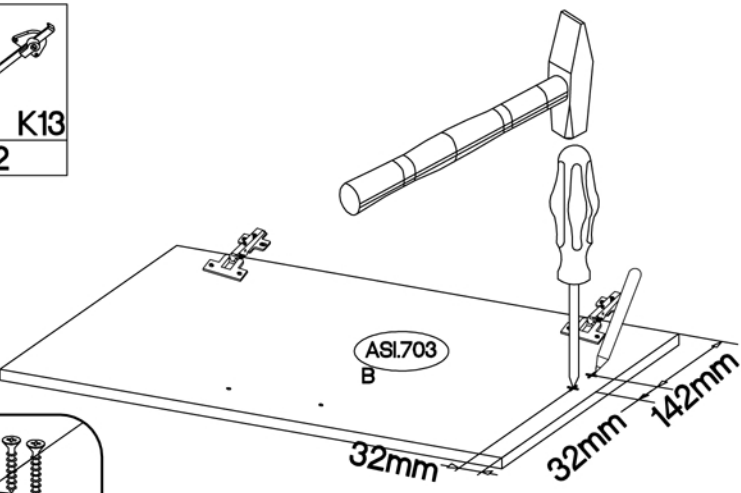
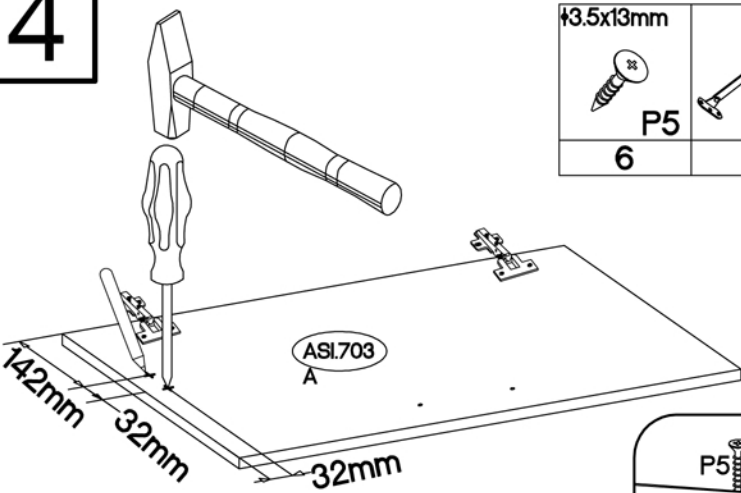
# 3

±3.5x13mm P5 8	±35/0mm G 4	H=0 H 4	L=128mm S11 2	±4.0x30mm R2 4
----------------------	-------------------	---------------	---------------------	----------------------



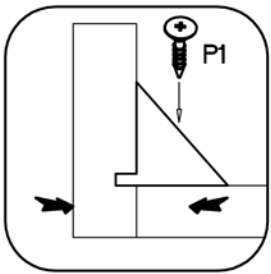
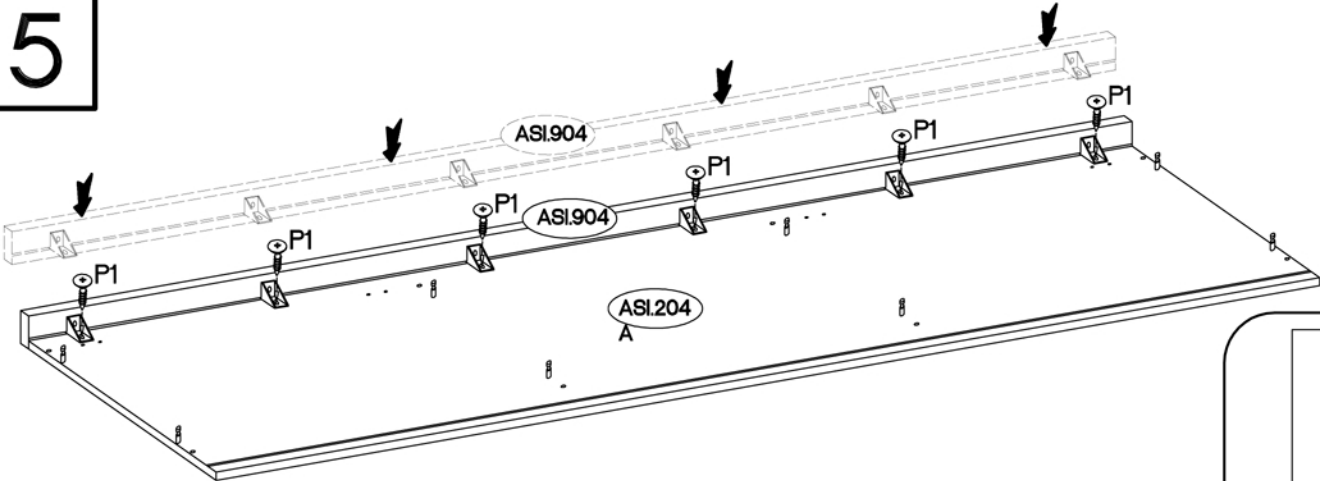
# 4

±3.5x13mm P5 6	K13 2
----------------------	----------

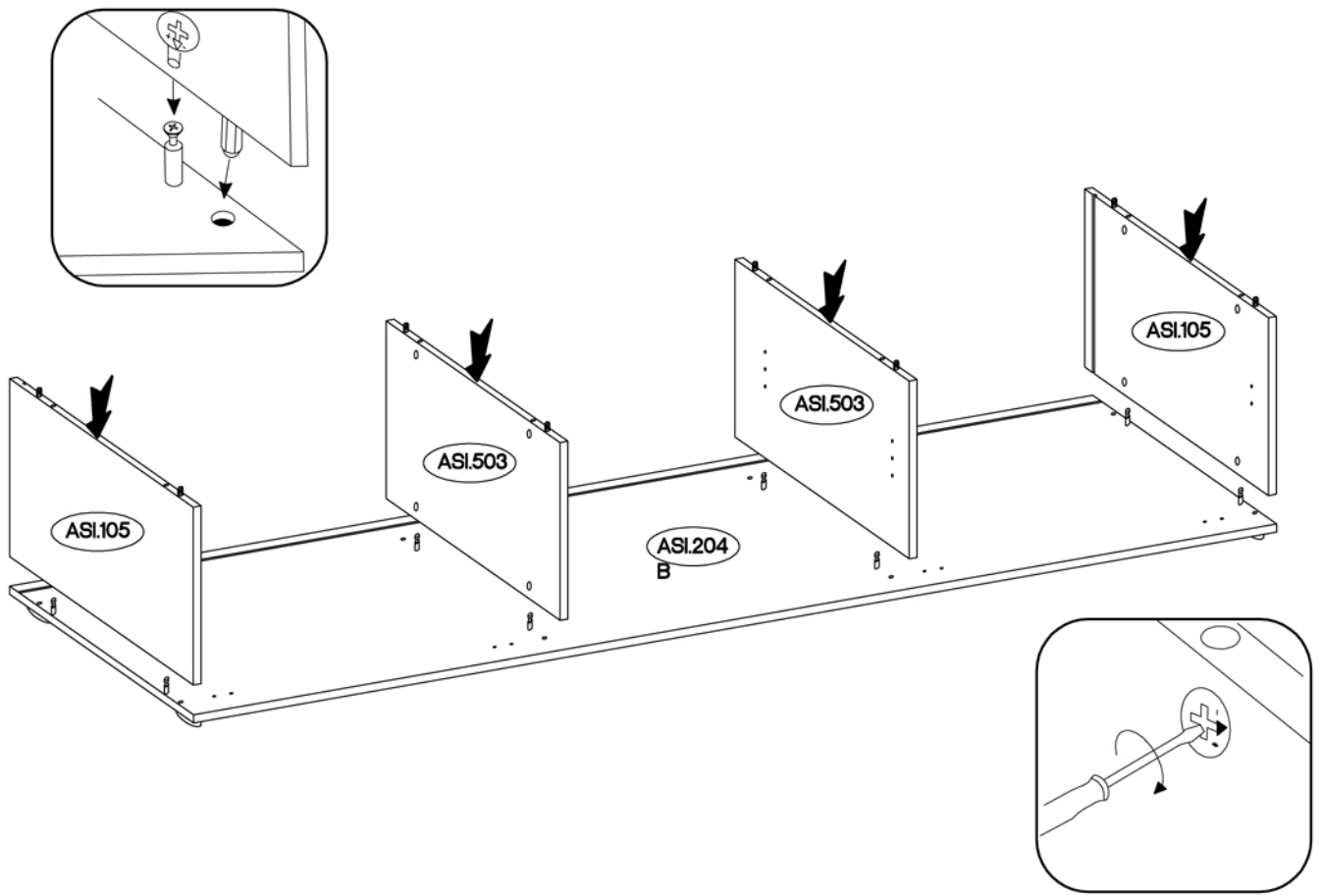


# 5

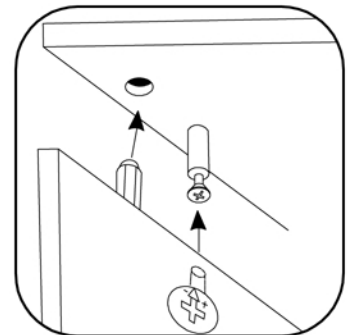
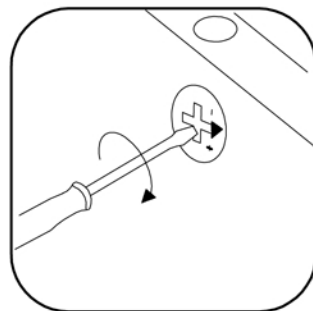
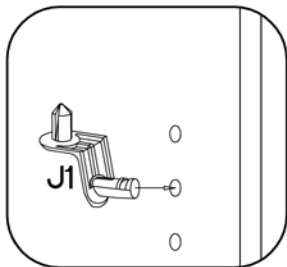
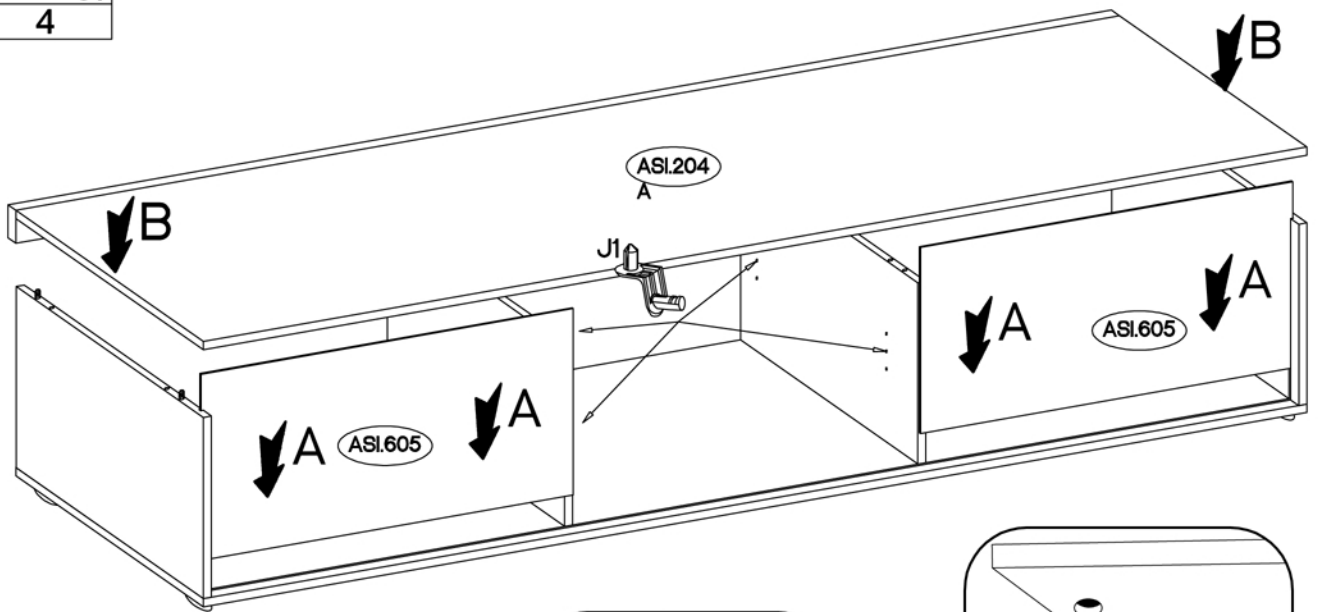
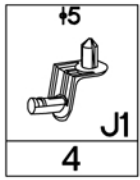
±4.0x16mm P1 6
----------------------




6

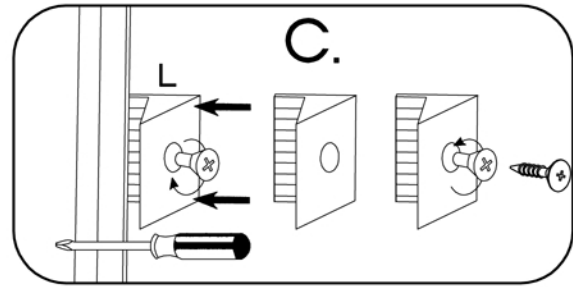
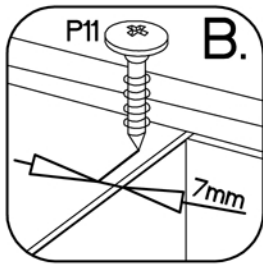
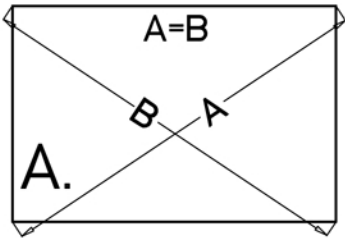
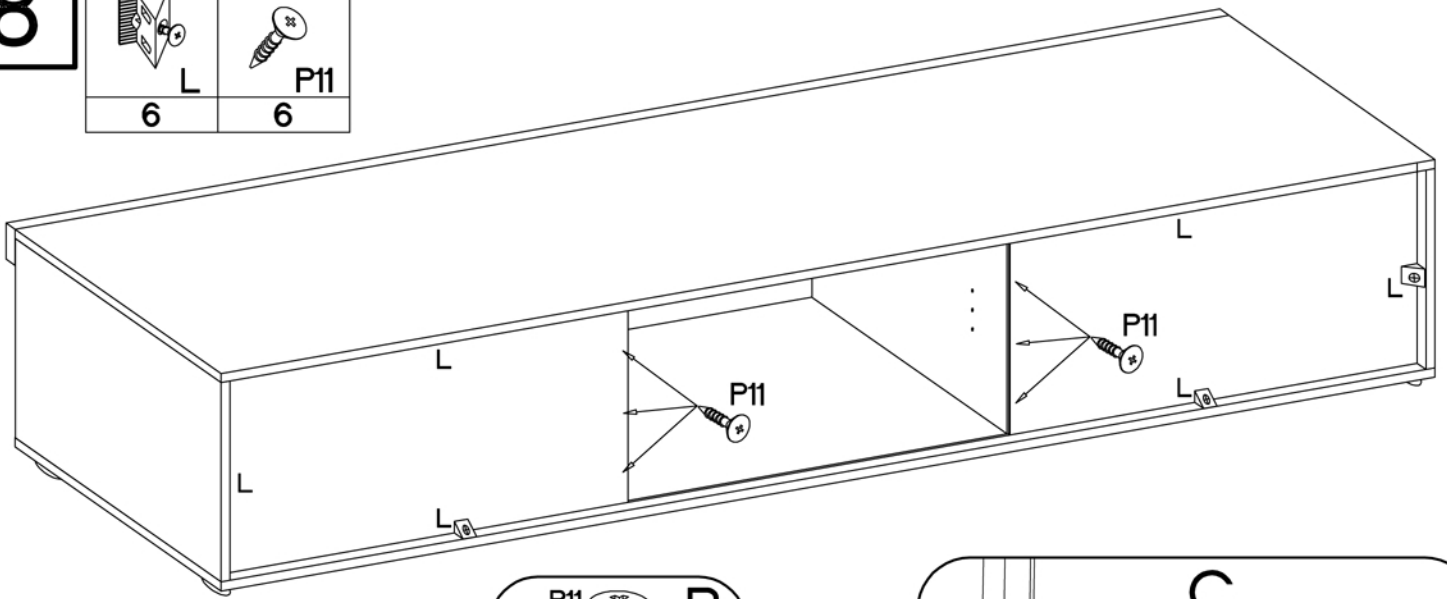


7




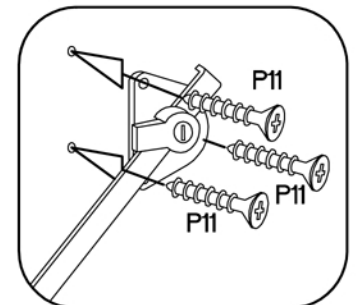
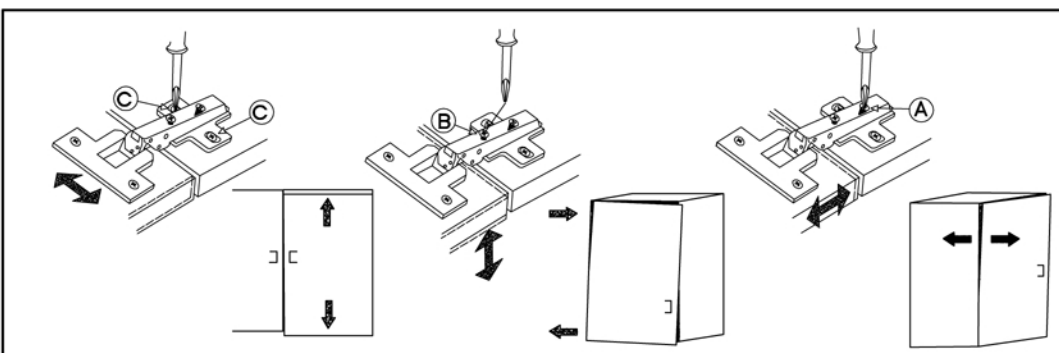
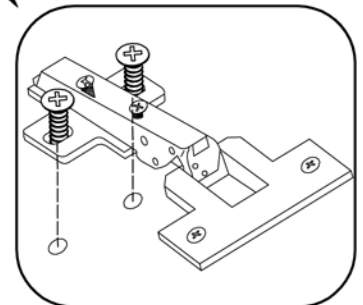
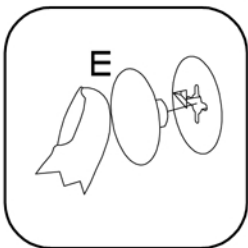
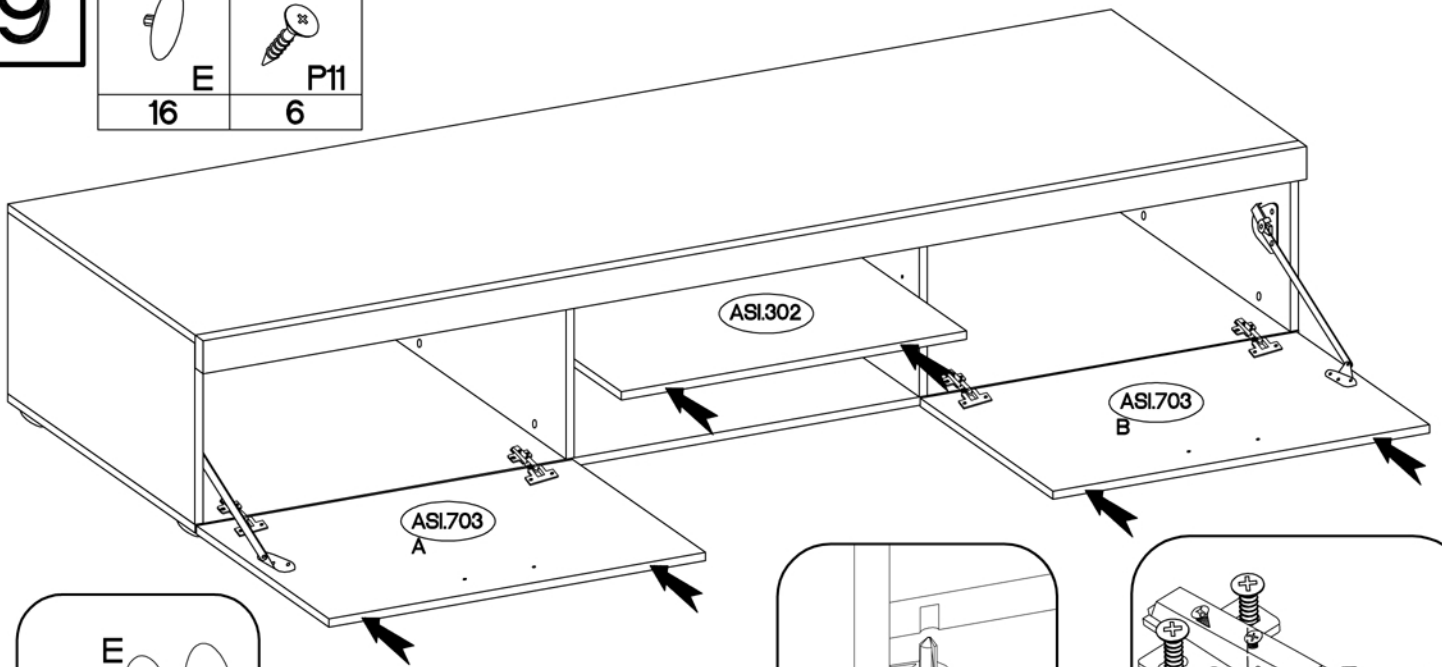
# 8

	$\pm 3.0 \times 16 \text{mm}$
L	P11
6	6



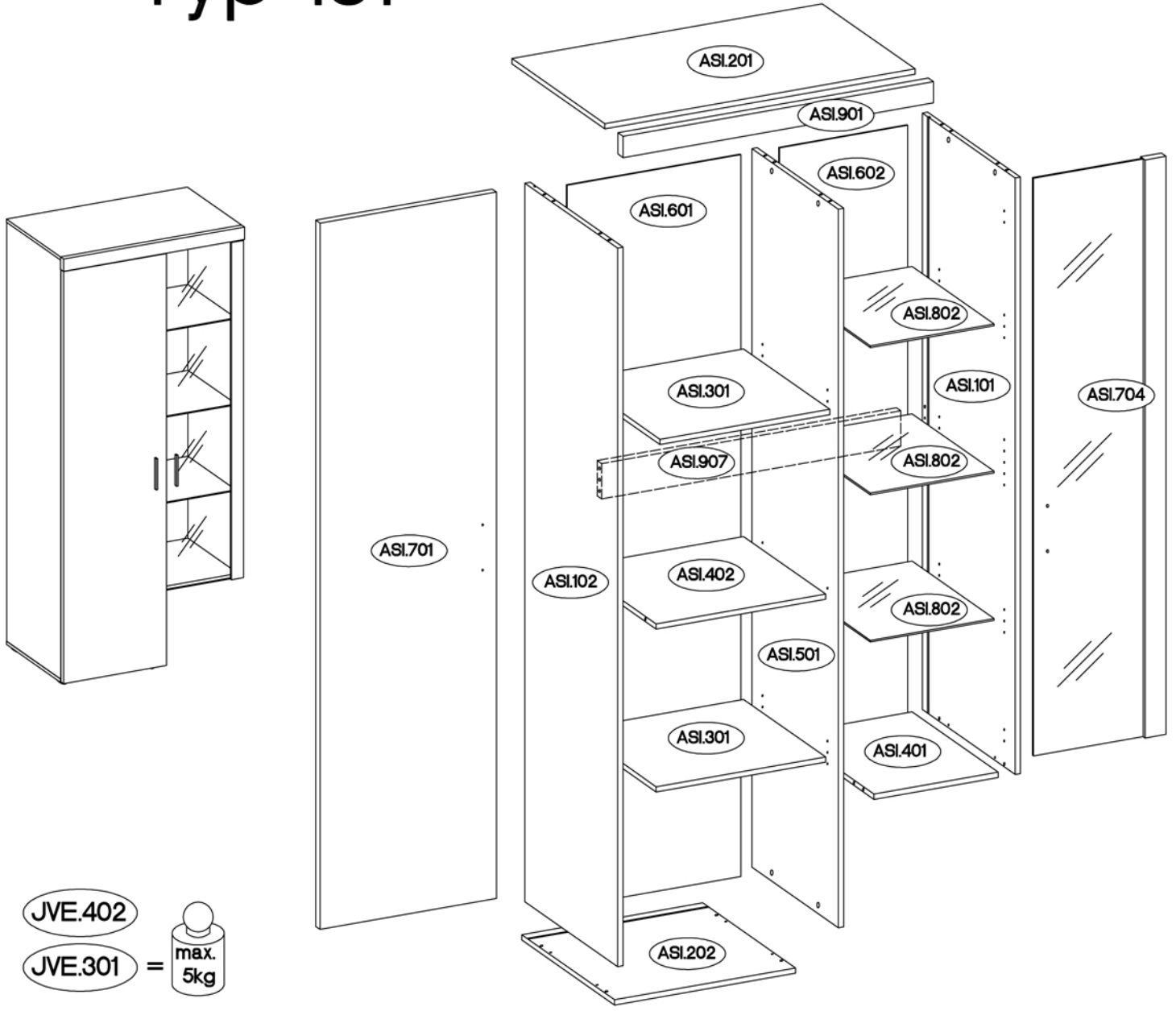
# 9

	$\pm 3.0 \times 16 \text{mm}$
E	P11
16	6



# ALTON

## Typ 131










JVE.402 = max. 5kg

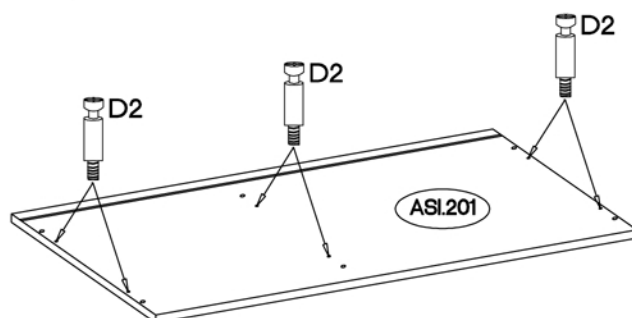
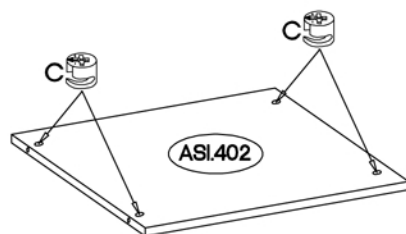
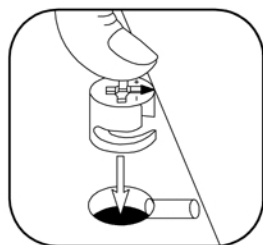
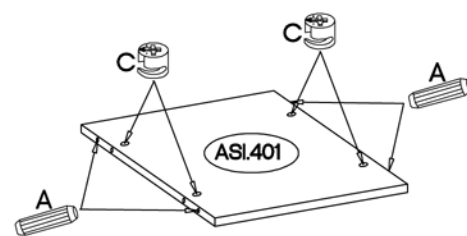
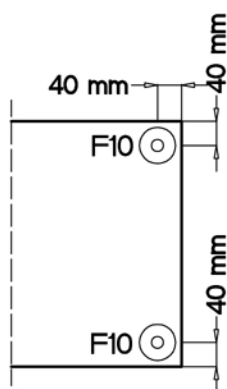
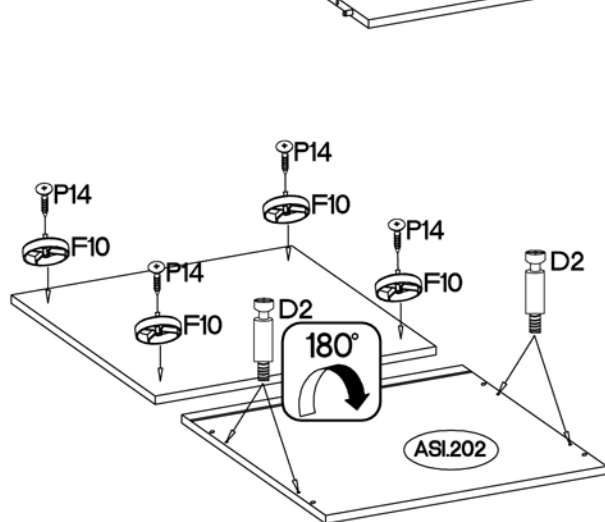
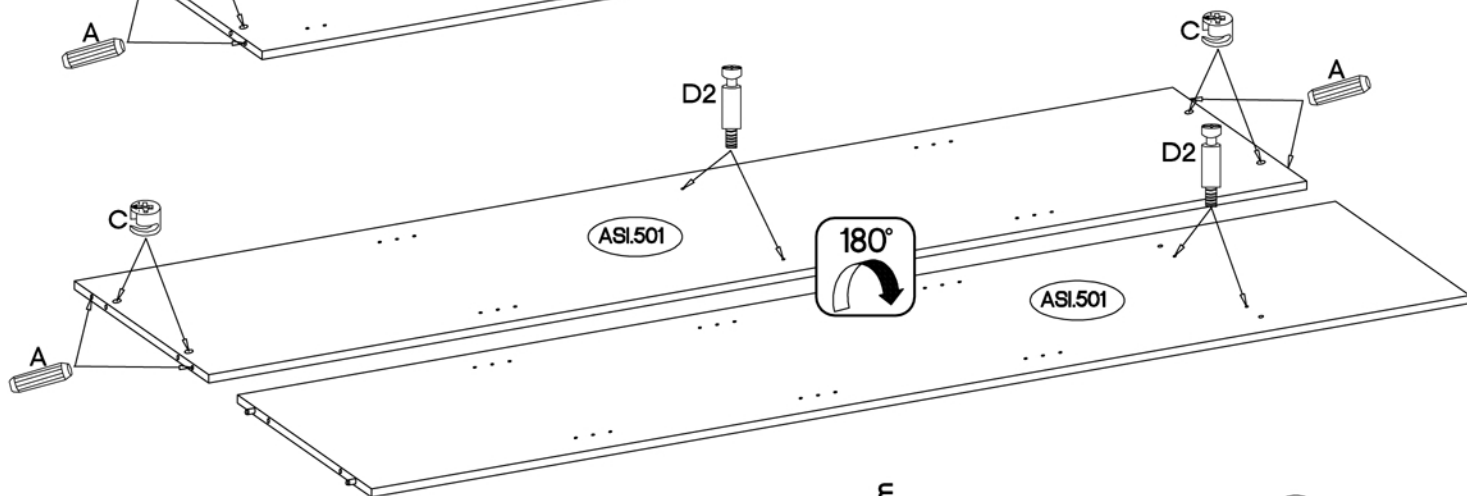
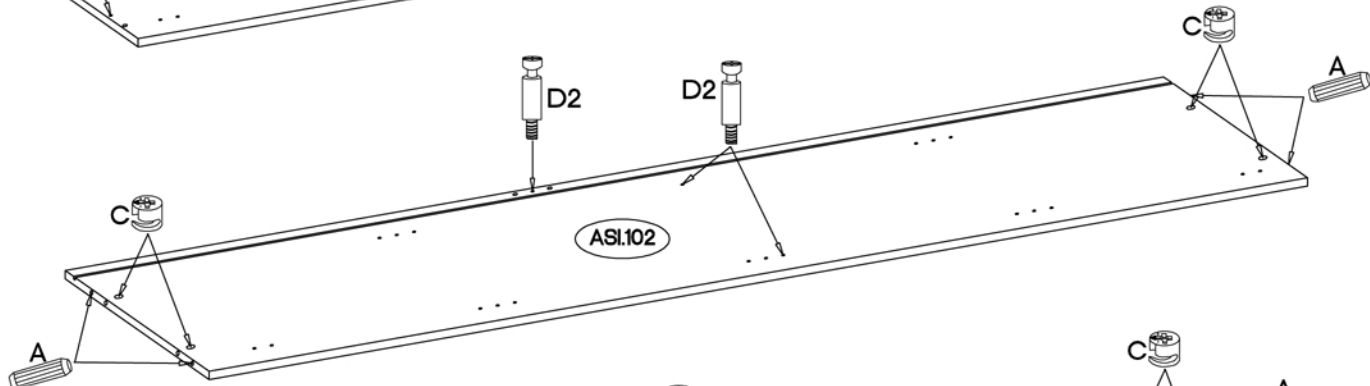
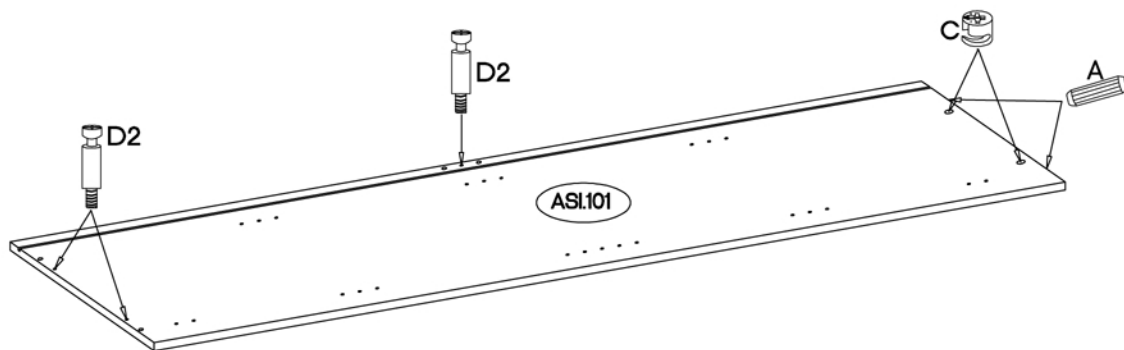
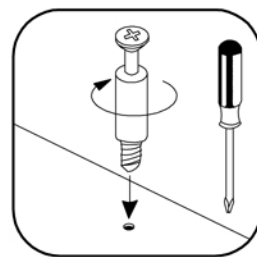
JVE.802 = max. 2kg

12	6	3	1	1	1	6	6	14	14	8
20	18	20	10	14	2	2	2	2	8	

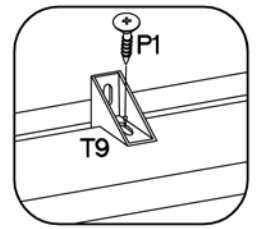
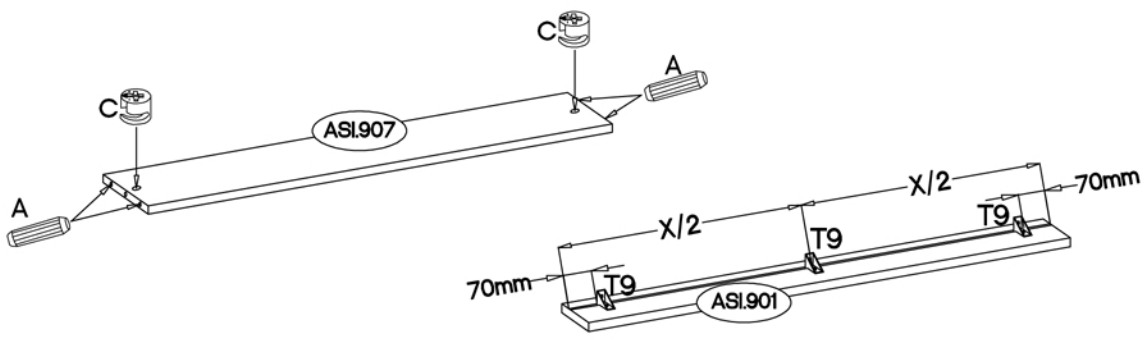
2	2	4	4

2B :

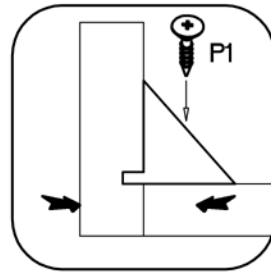
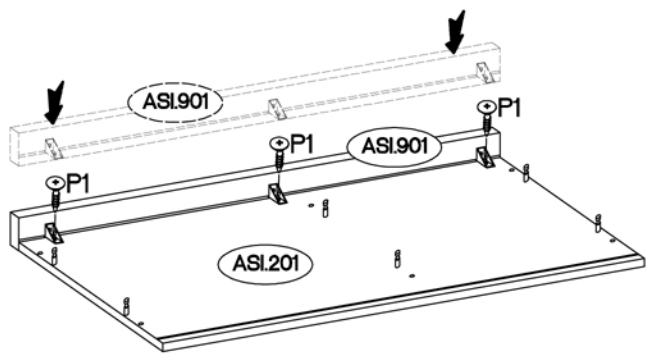
 <b>C</b>	 <b>A</b>	 <b>D2</b>	 <b>P14</b>	 <b>F10</b>	 <b>T9</b>	 <b>P1</b>
†15/12mm 20	†8x30mm 18	L=20mm 20	†4.0x25mm 4	4	3	†4.0x16mm 3



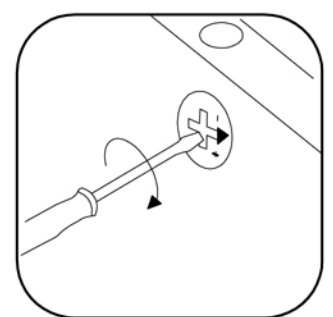
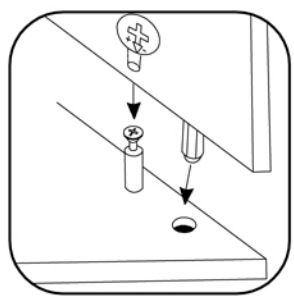
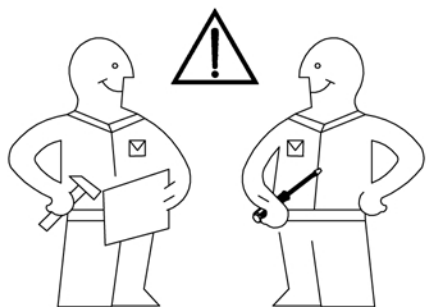
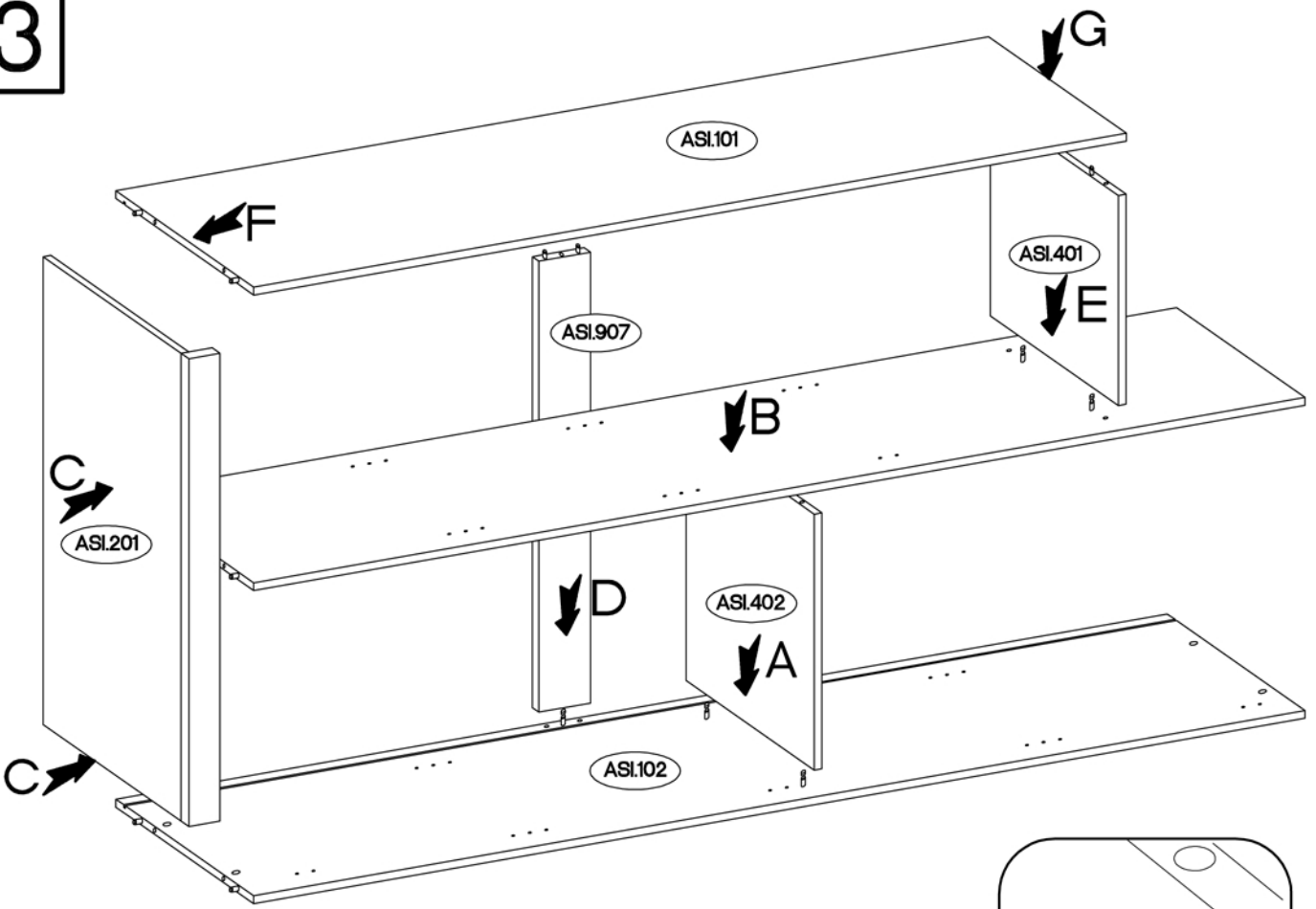




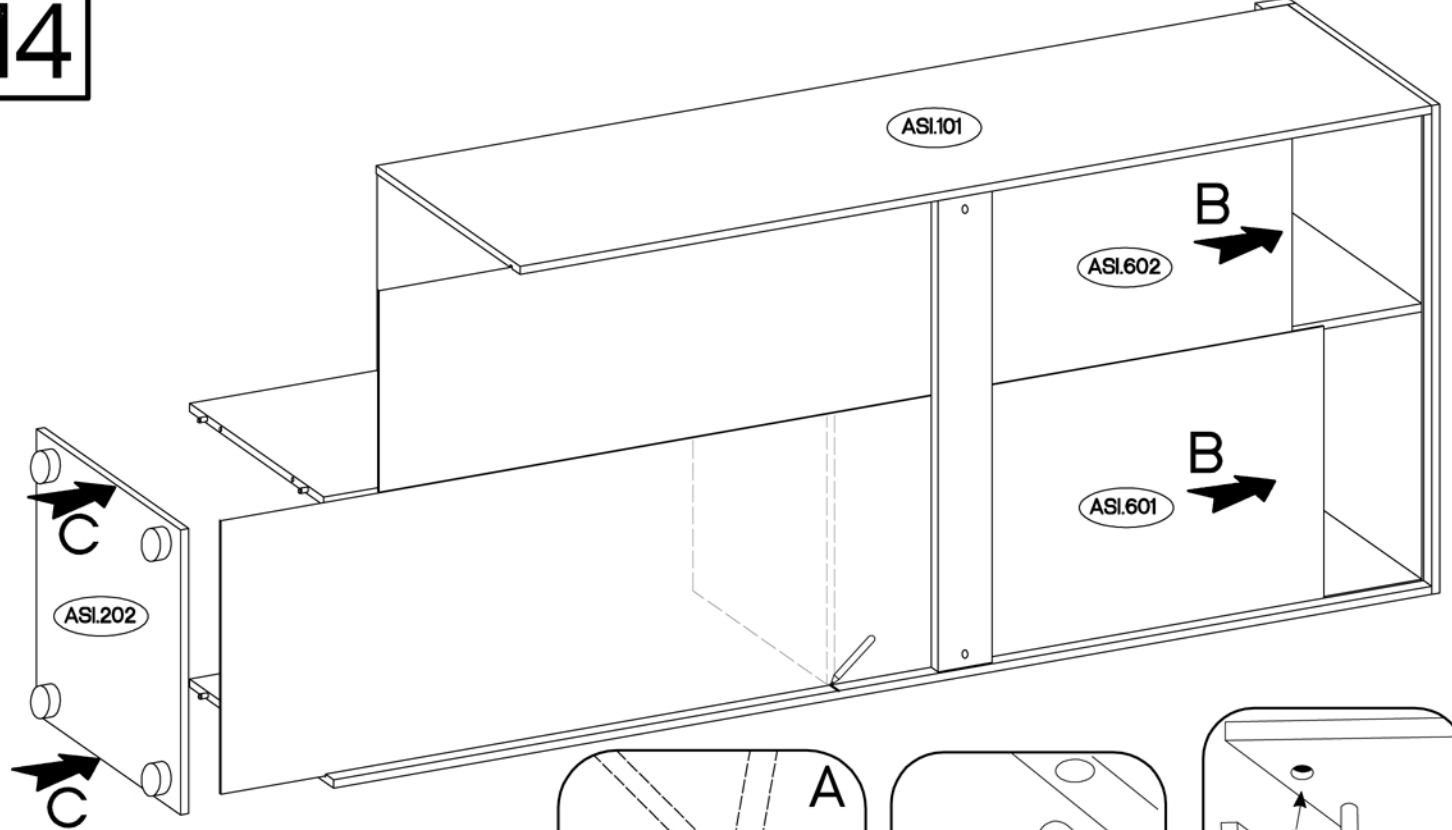
12



13

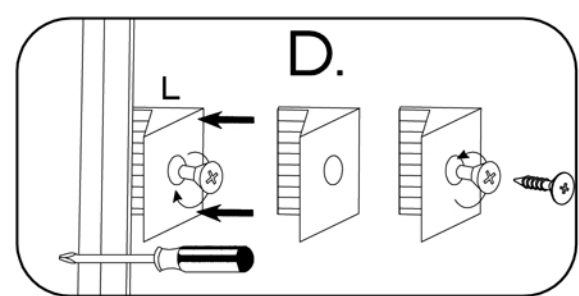
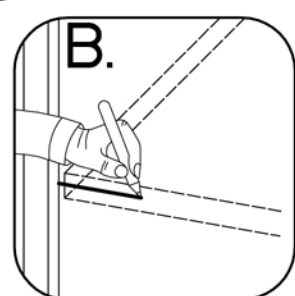
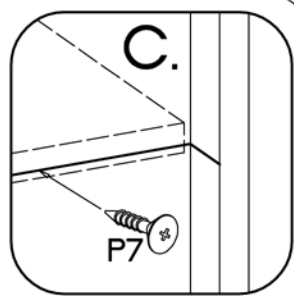
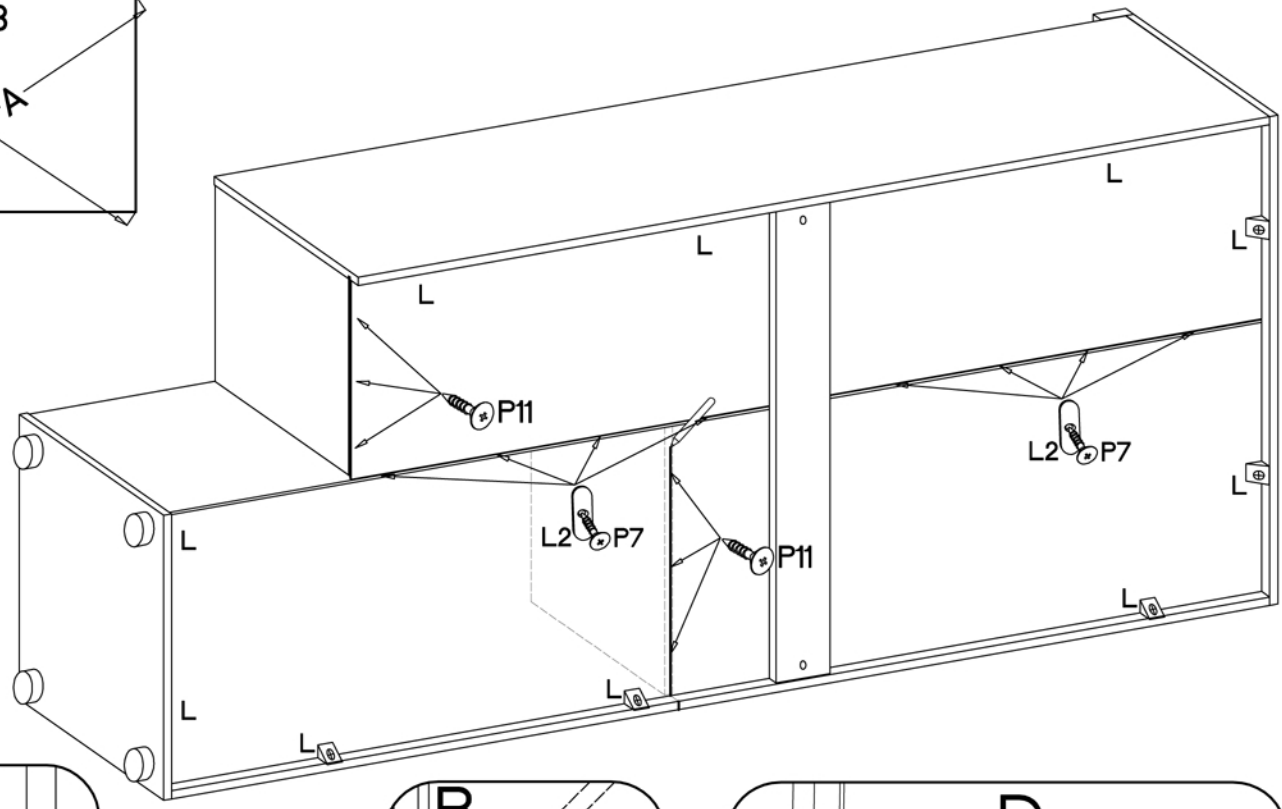
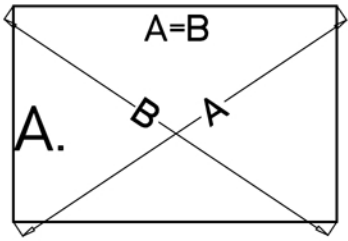
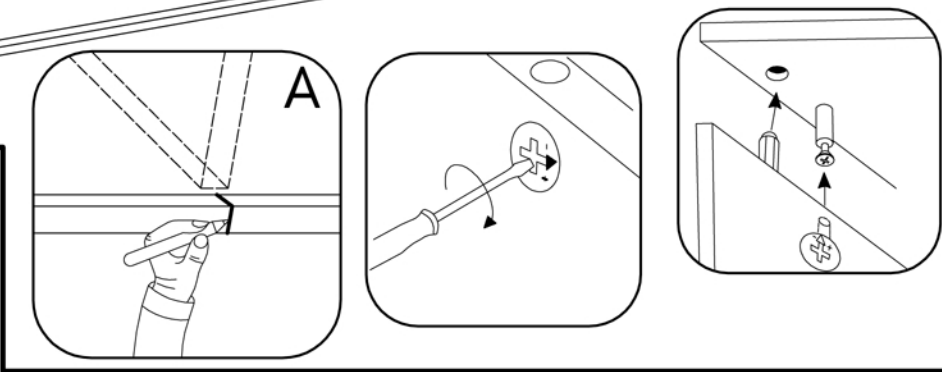





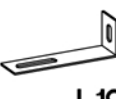

14

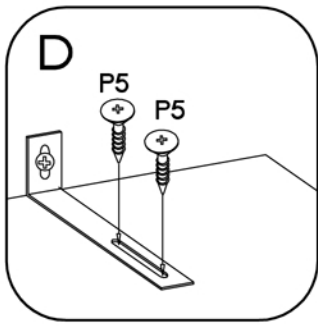
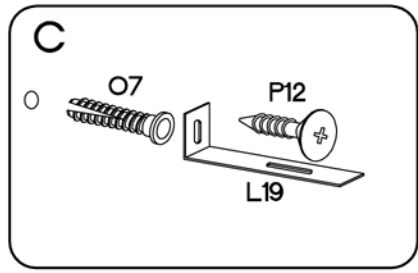
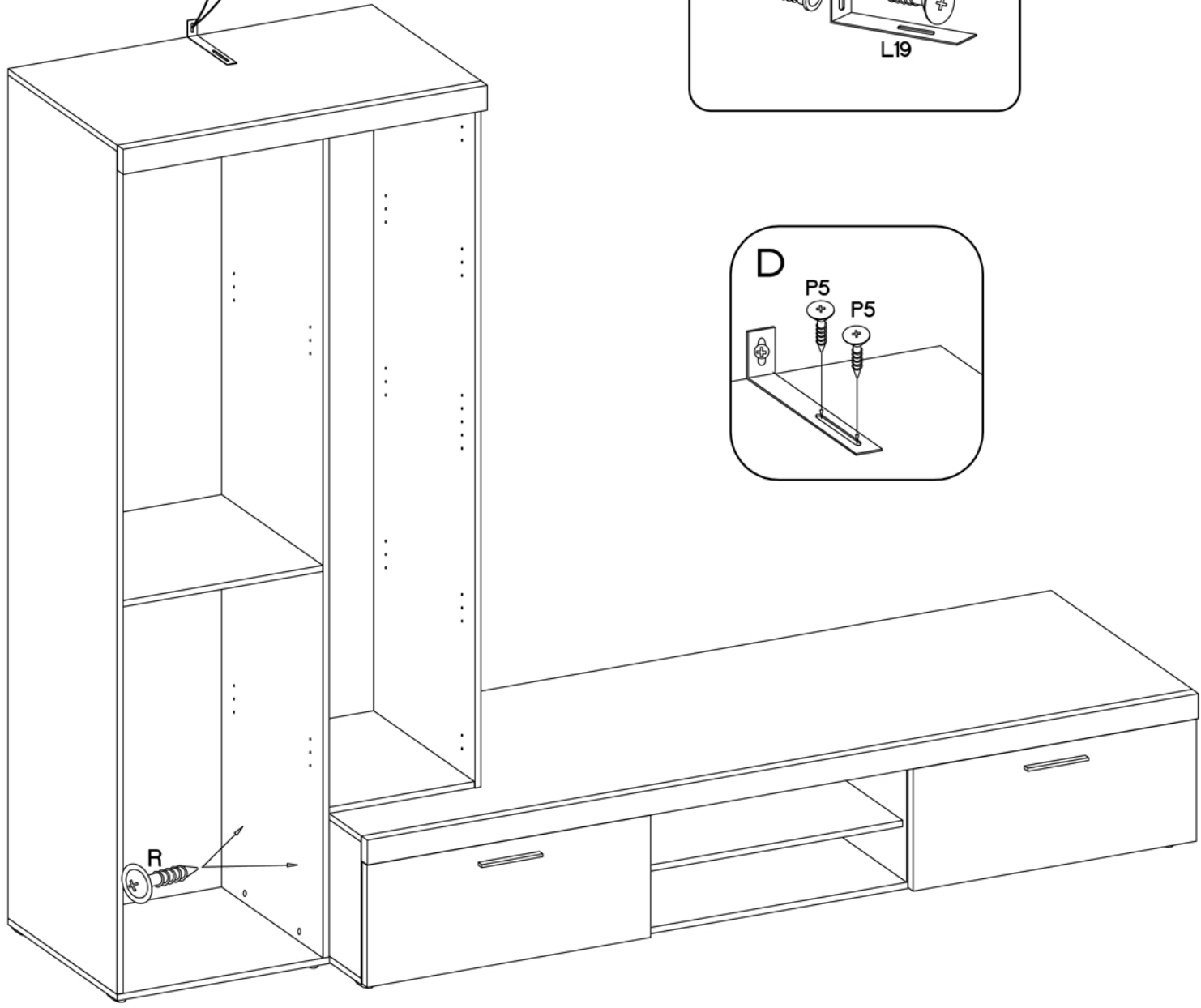
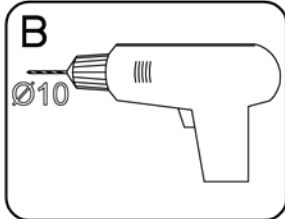
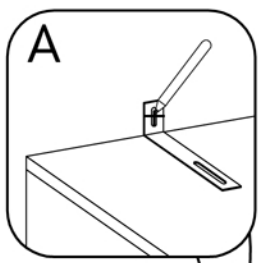


15

#3.0x20mm		
P7	L2	L
14	8	10

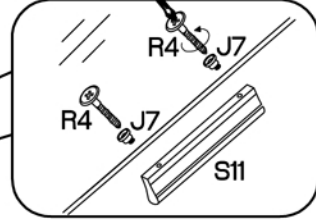
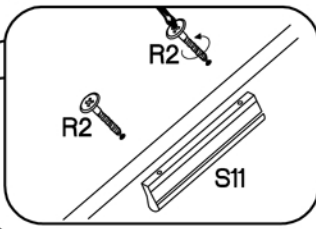
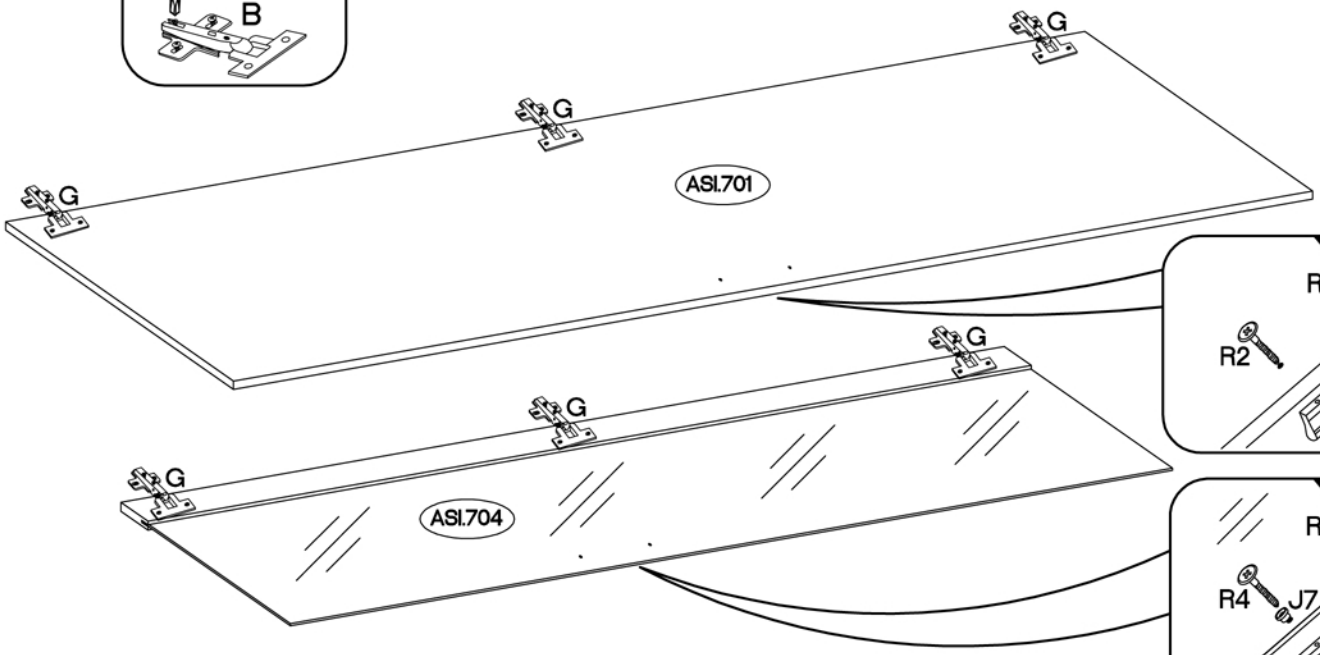
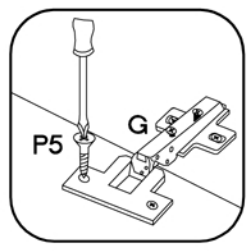
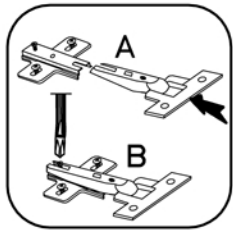


±4.0x25mm	±5.0x60mm	±10x50mm	±3.5x13mm	
				
R	P12	O7	L19	P5
2	1	1	1	2



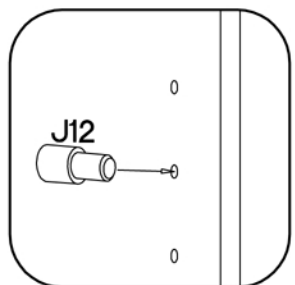
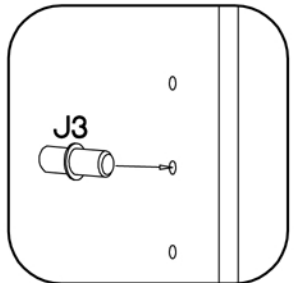
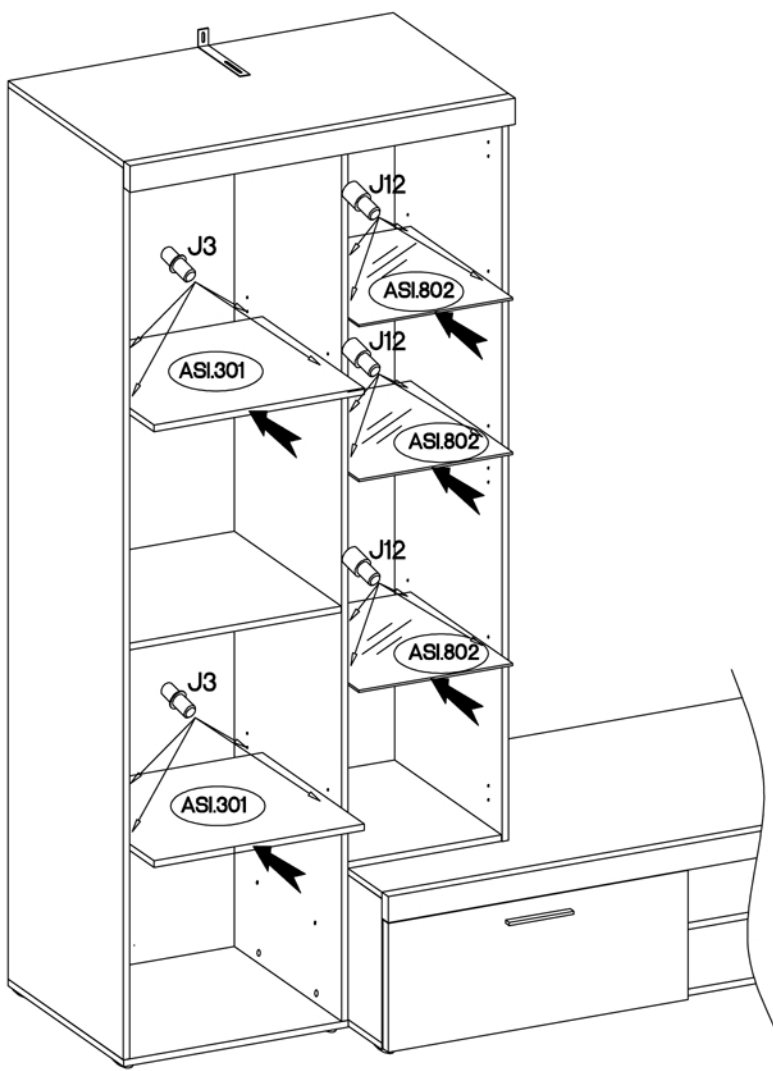
# 17



L=128mm	4.0x30mm	4.0x18mm	7/4mm	35/0mm	H=0	3.5x13mm
S11	R2	R4	J7	G	H	P5
2	2	2	2	6	6	12

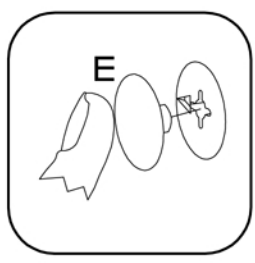
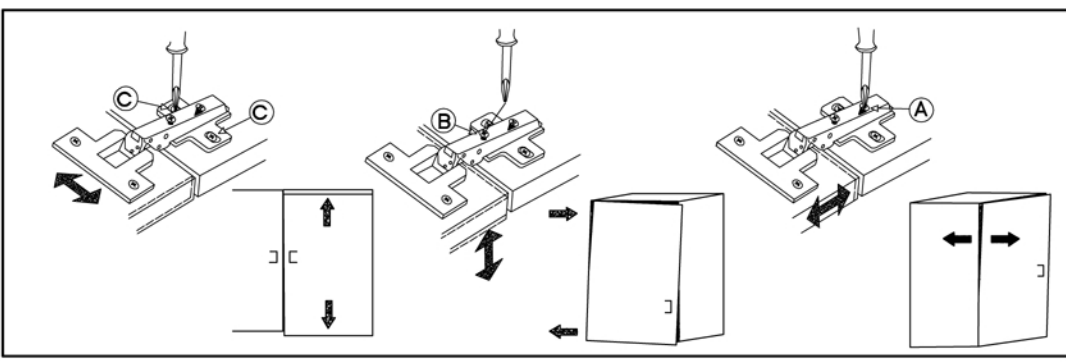
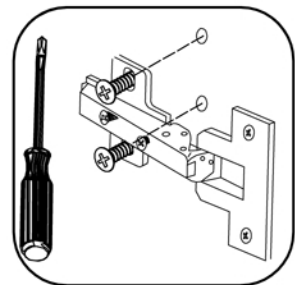
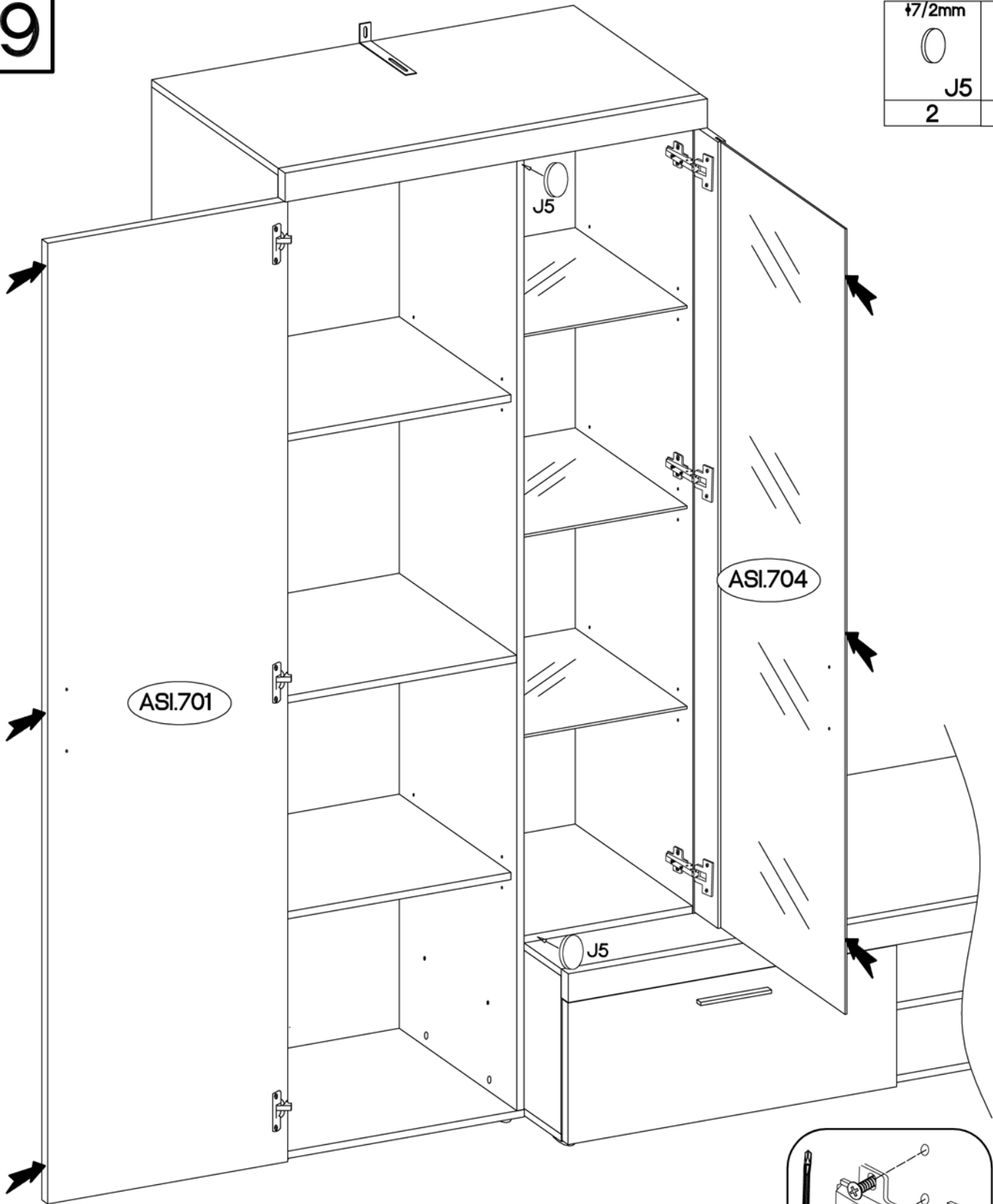


# 18

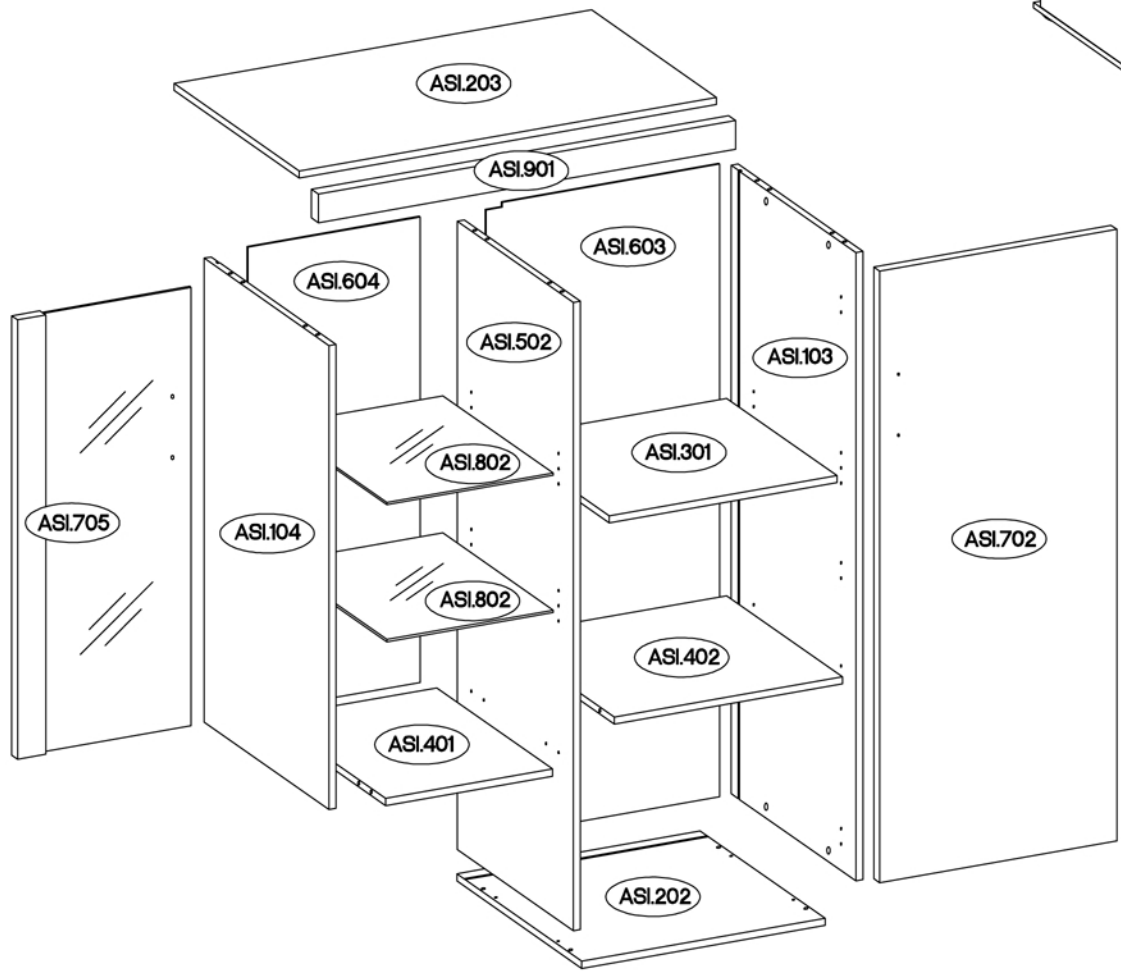
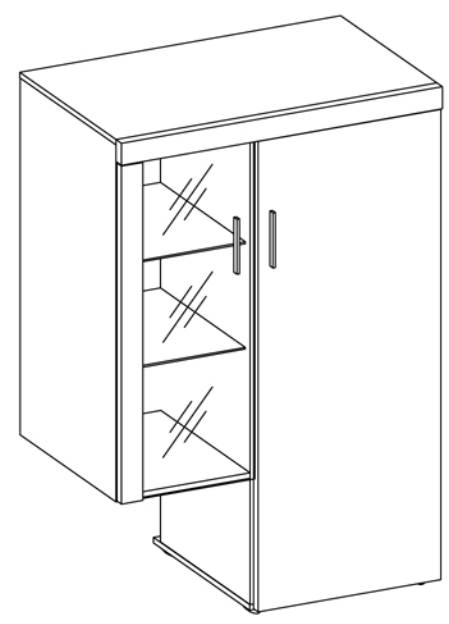
J12	J3
12	8



±7/2mm	
	
J5	E
2	14



# ALTON Typ 031











JVE.402








JVE.401







JVE.301 = max. 5kg





JVE.802 = max. 2kg

			
J5	R	P14	F10

			
H=0	P5	P7	L2








						
J12	P1	T9	P12	O7	L19	G

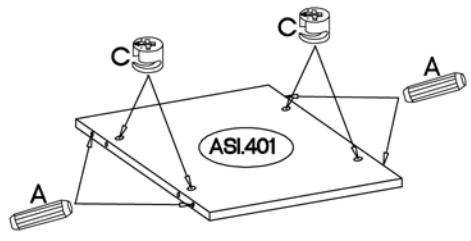
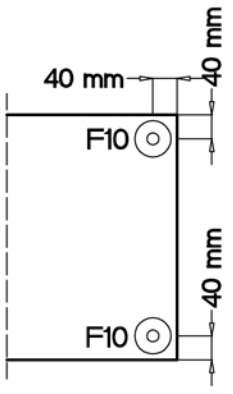
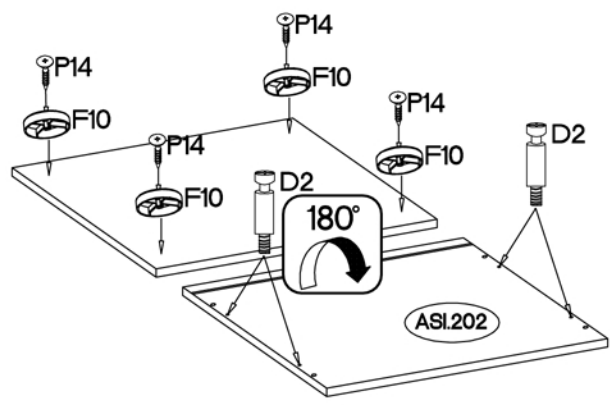
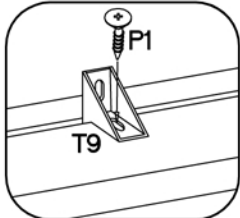
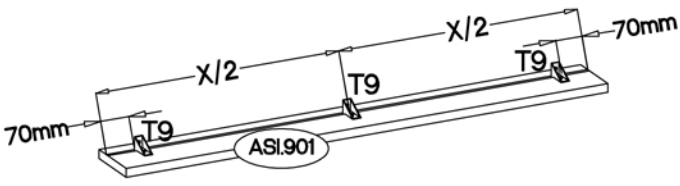
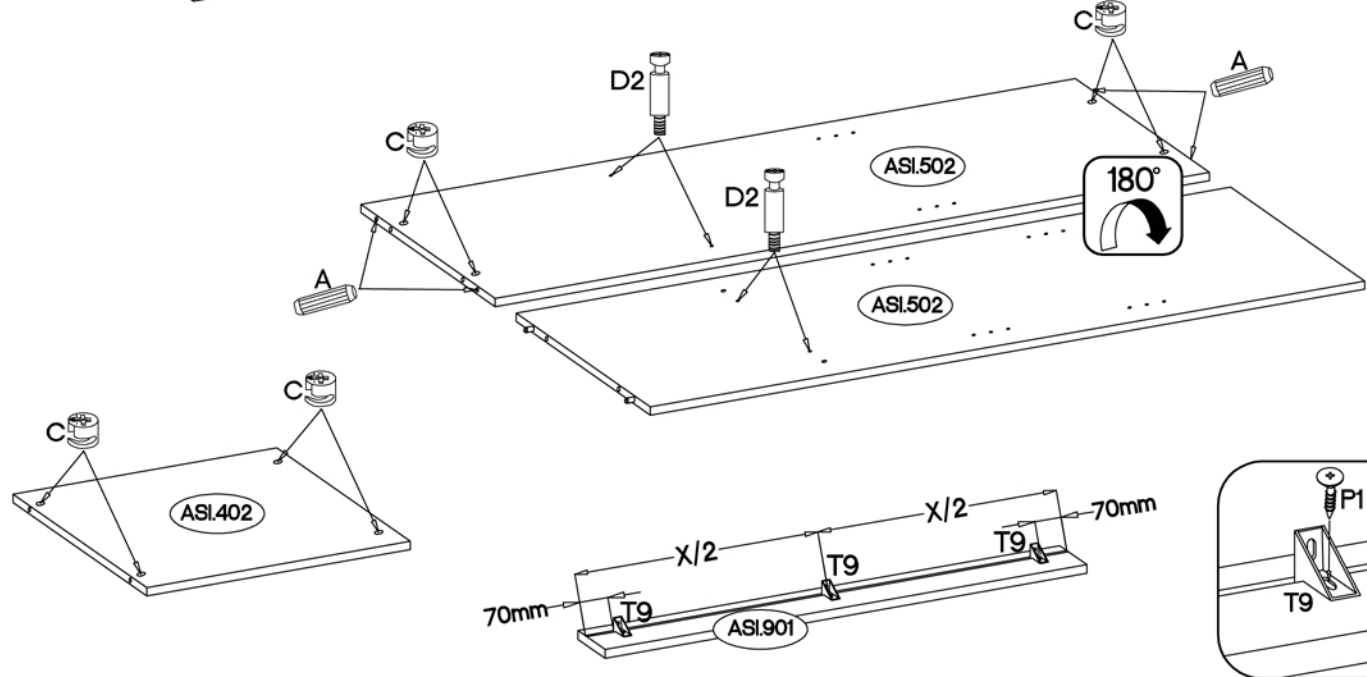
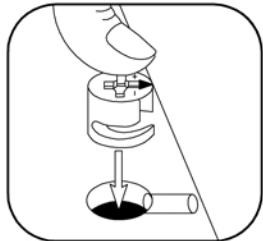
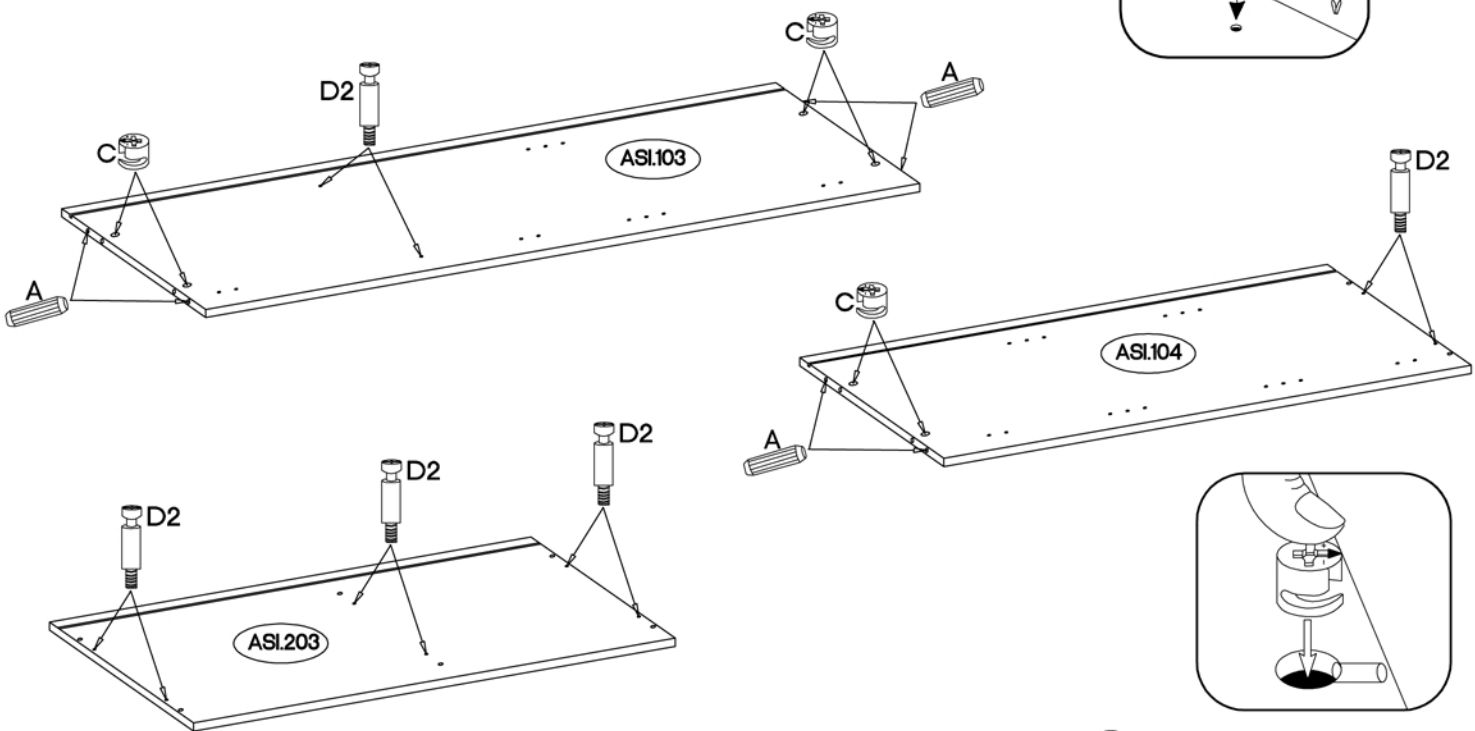
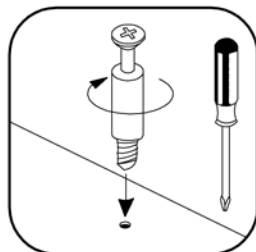
					
C	A	D2	L	E	S11

			
R2	R4	J7	J3

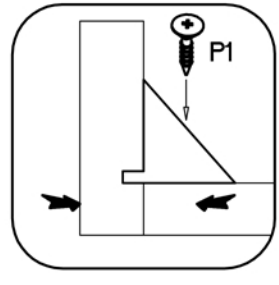
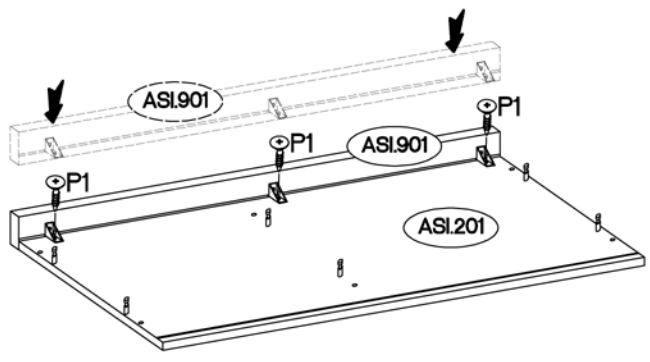
3B :

8	6	3	1	1	1	5	5	12	12	6
18	14	18	7	14	2	2	2	2	2	4

 <b>‡15/12mm</b> <b>C</b> <b>18</b>	 <b>‡8x30mm</b> <b>A</b> <b>14</b>	 <b>L=20mm</b> <b>D2</b> <b>18</b>	 <b>‡4.0x16mm</b> <b>P1</b> <b>3</b>	 <b>T9</b> <b>3</b>	 <b>‡4.0x25mm</b> <b>P14</b> <b>4</b>	 <b>F10</b> <b>4</b>
--	---	---	---	---	--	---

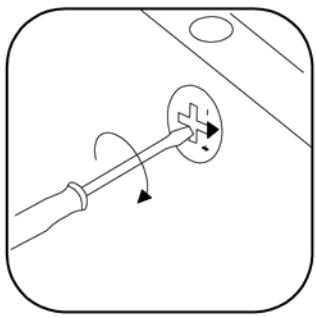
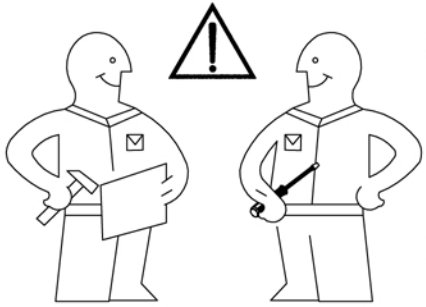
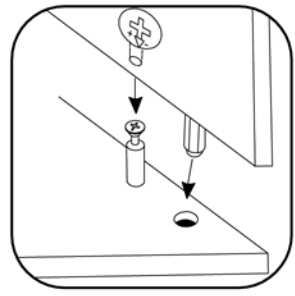
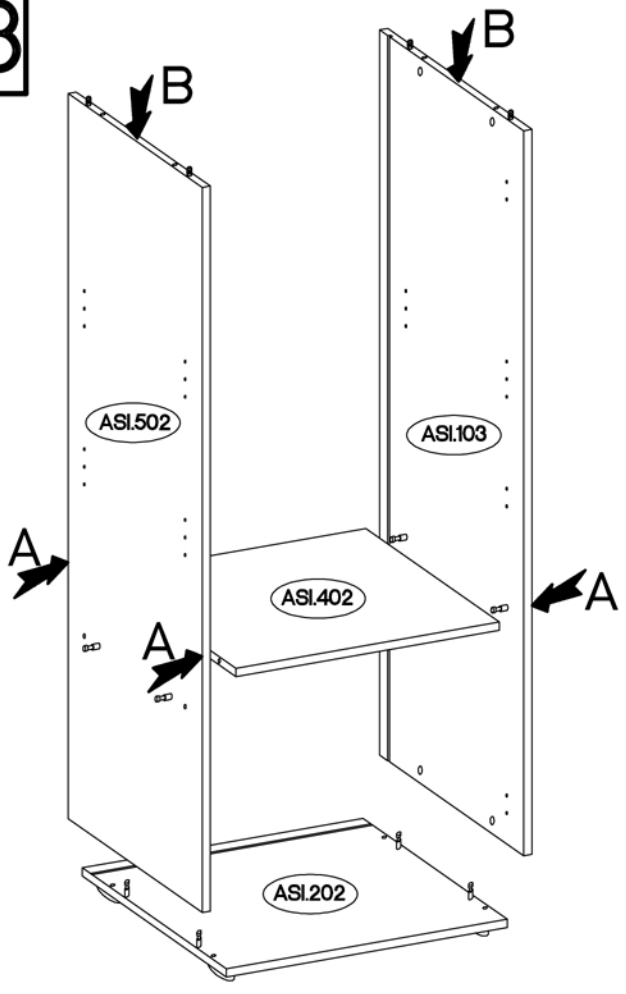


22

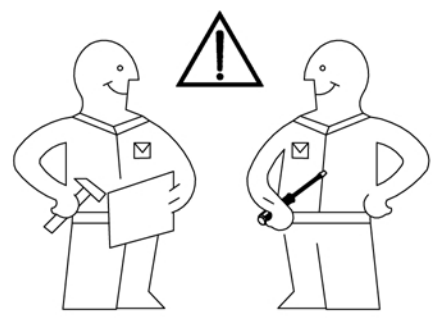
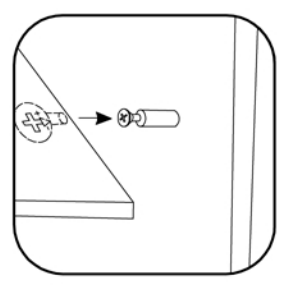
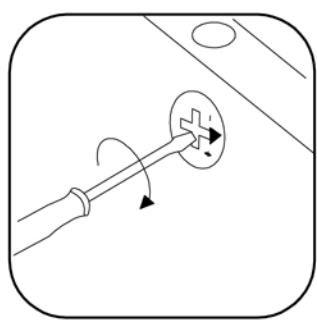
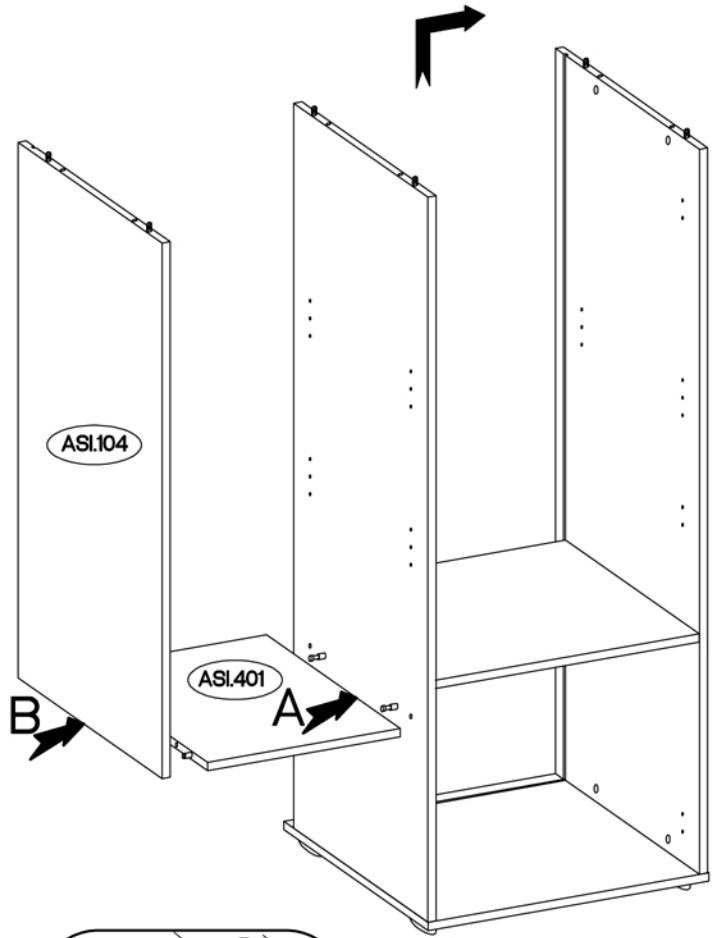


4.0x16mm  
  
 P1  
 3

23

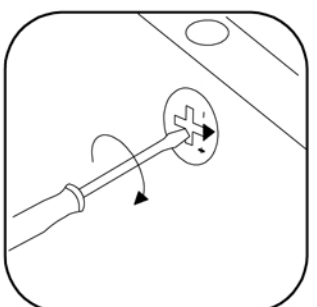
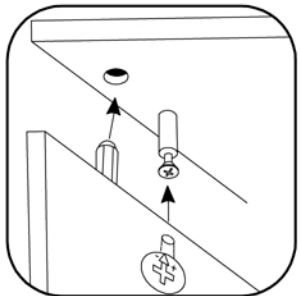
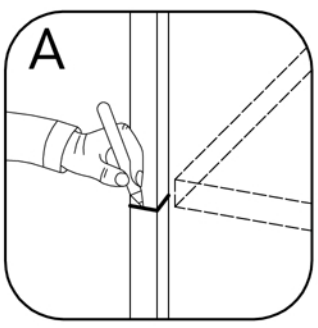
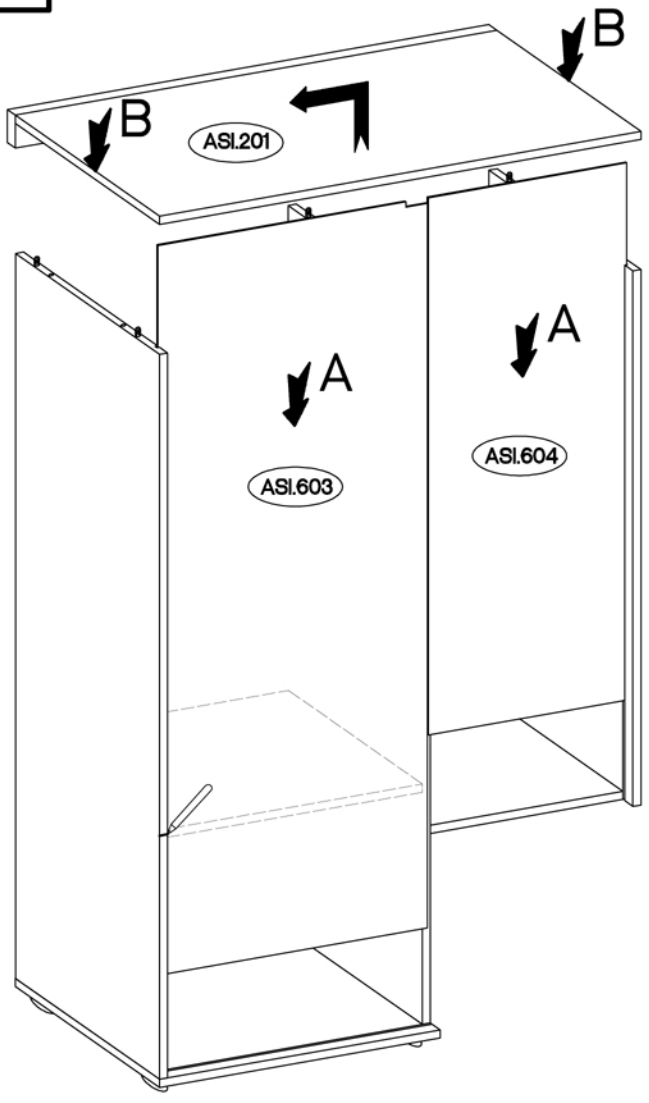


24



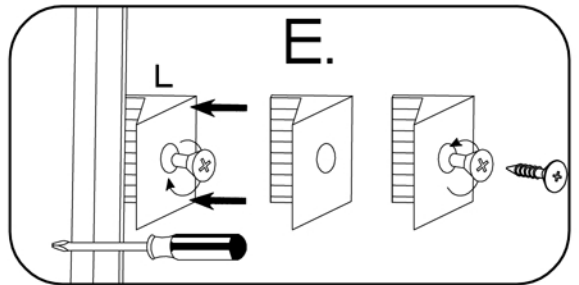
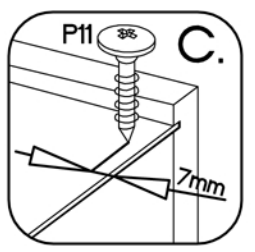
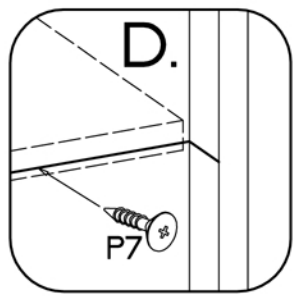
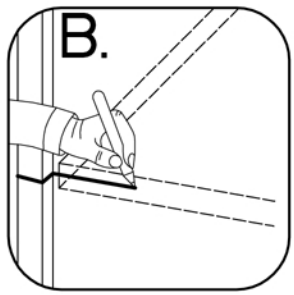
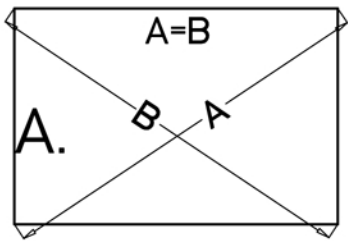
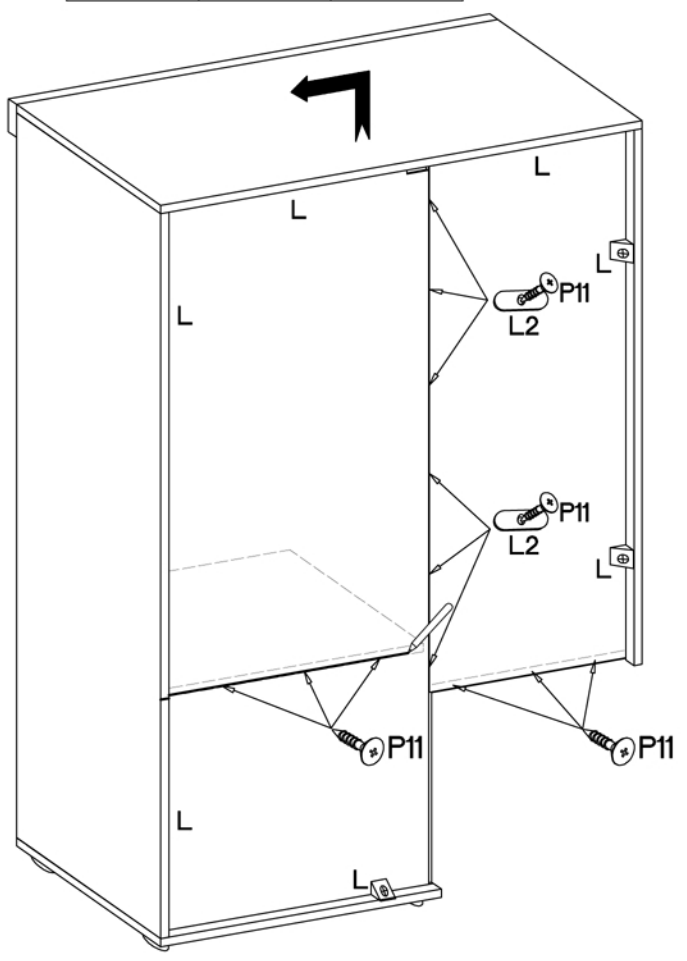


25

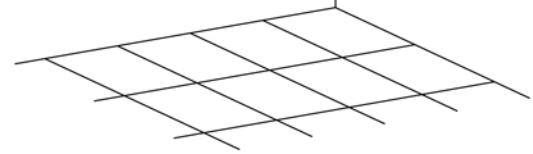
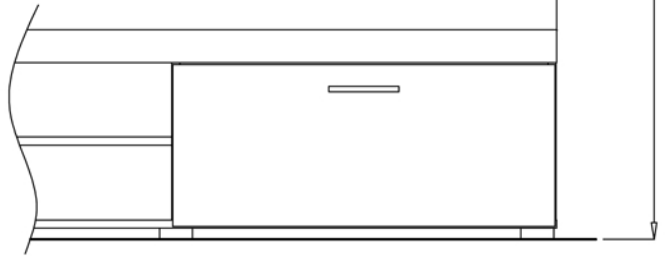
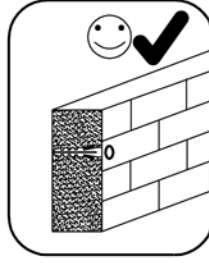
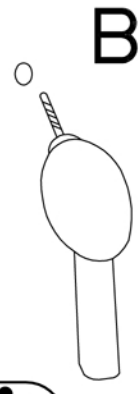
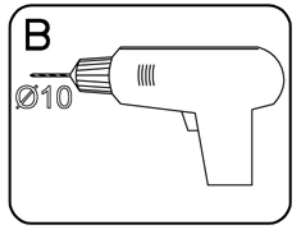





26

 P7 12	 L2 6	 L 7
--------------	-------------	------------

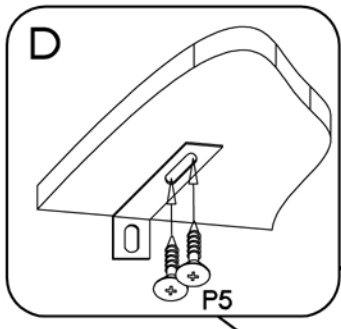


33 mm  
A  
1335 mm

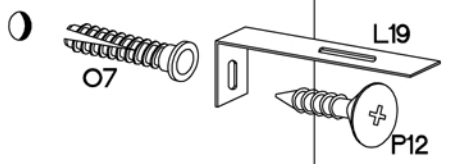


 10x50mm O7	 L19	 5.0x60mm P12
1	1	1

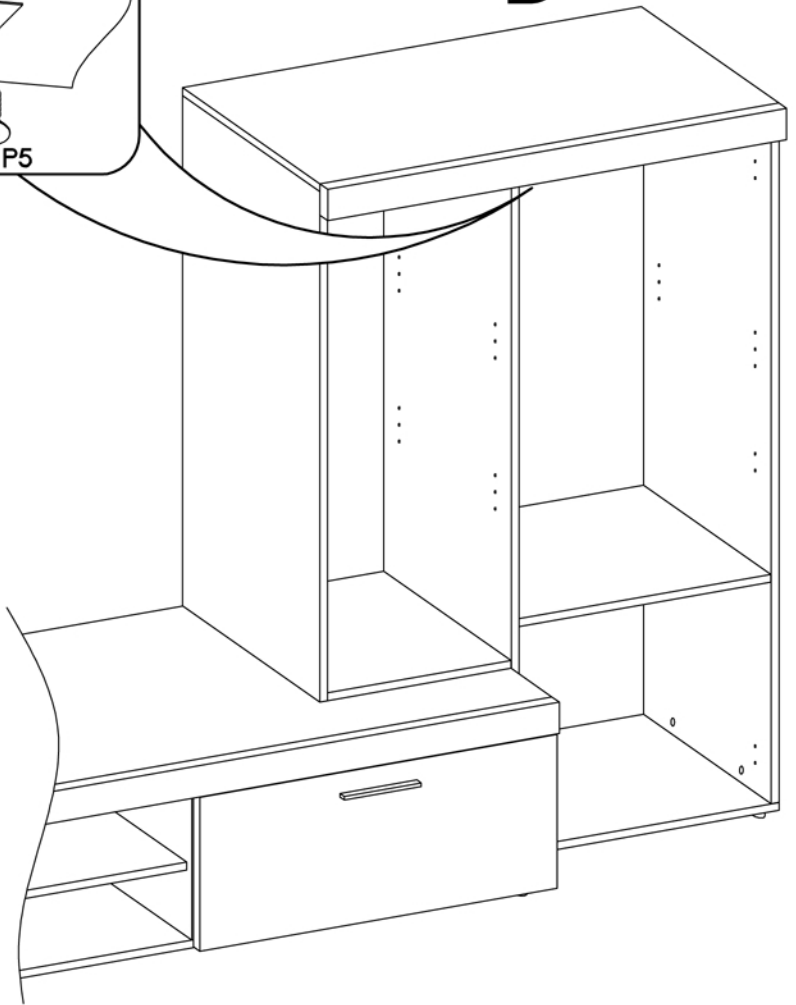
 4.0x25mm P14
2






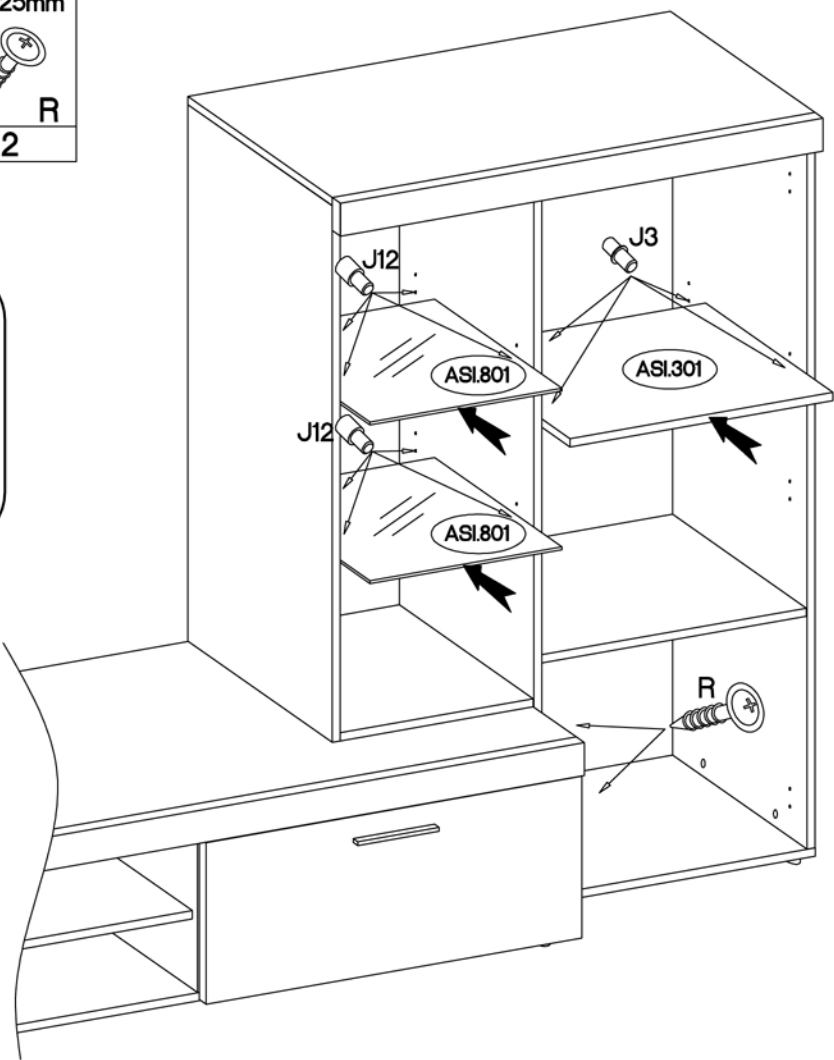
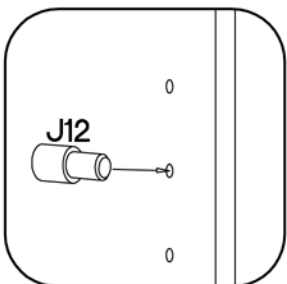
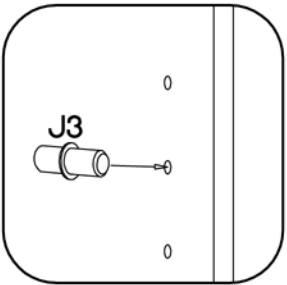
C










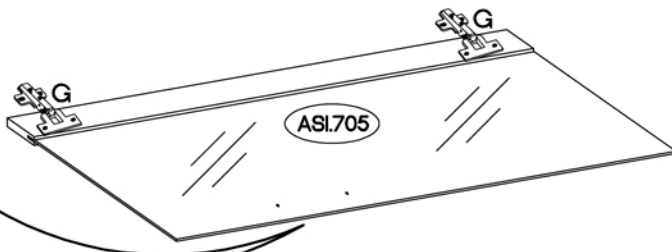
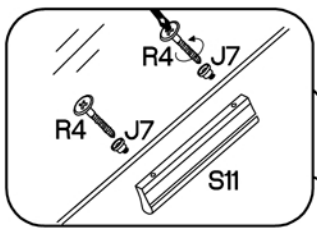
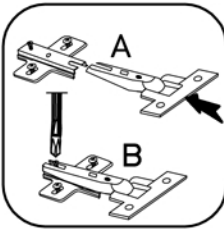
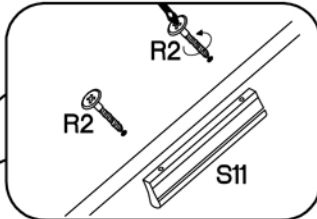
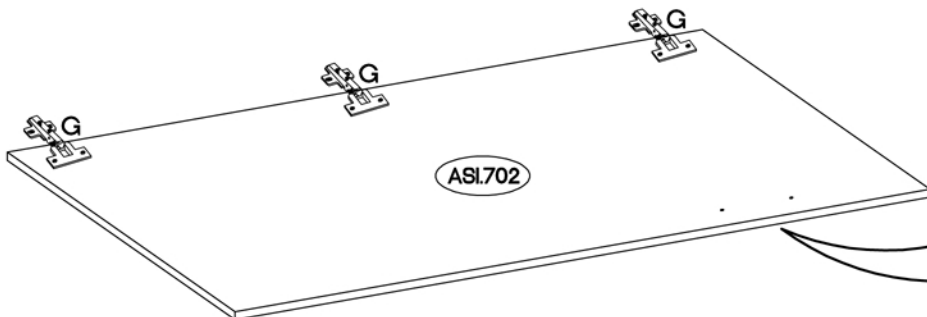
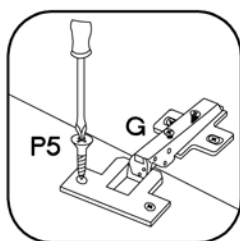
D





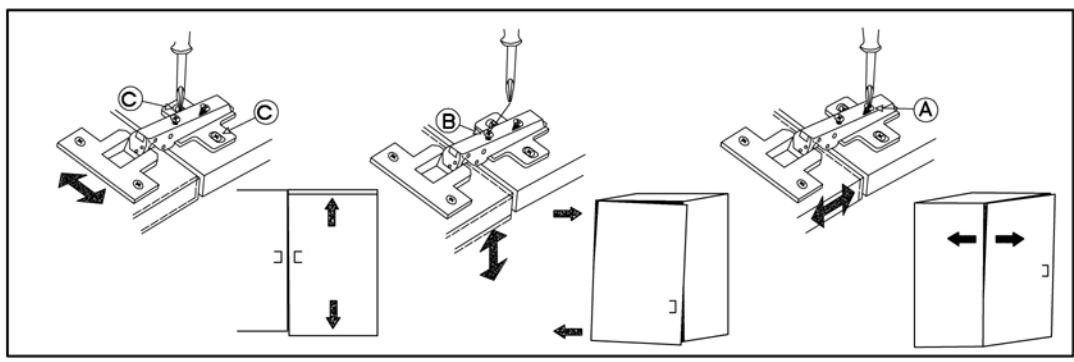
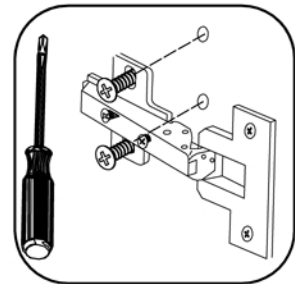
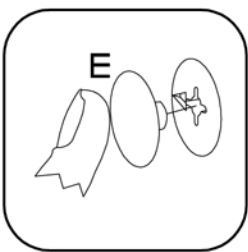
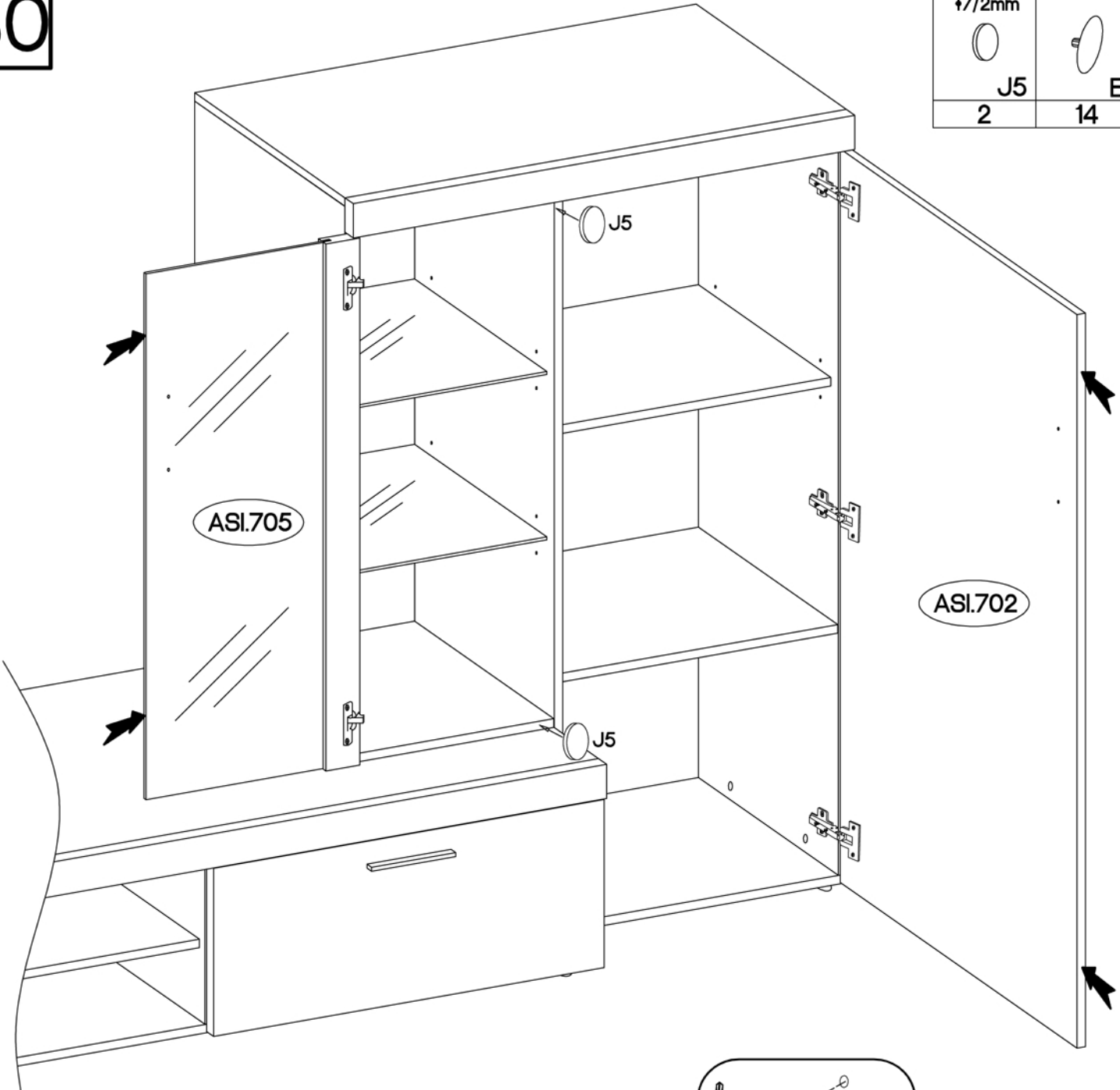
		$\pm 4.0 \times 25 \text{mm}$ 
<b>J3</b>	<b>J12</b>	<b>R</b>
4	8	2



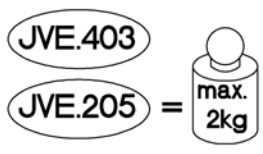
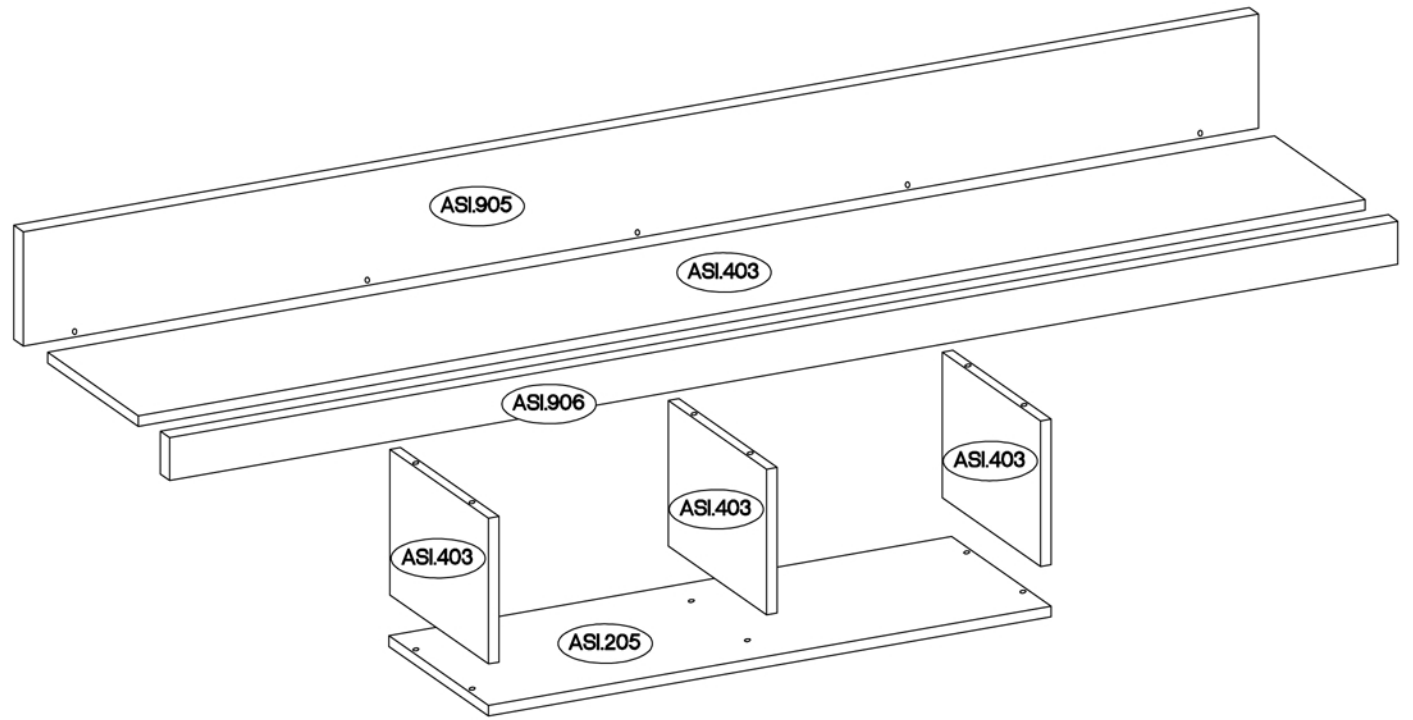
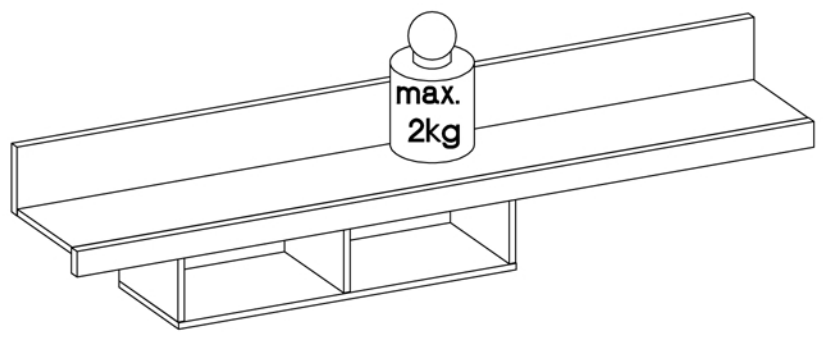
$L=128 \text{mm}$ 	$\pm 4.0 \times 30 \text{mm}$ 	$\pm 4.0 \times 18 \text{mm}$ 	$\pm 7/4 \text{mm}$ 	$\pm 35/0 \text{mm}$ 	$H=0$ 	$\pm 3.5 \times 13 \text{mm}$ 
<b>S11</b>	<b>R2</b>	<b>R4</b>	<b>J7</b>	<b>G</b>	<b>H</b>	<b>P5</b>
2	2	2	2	5	5	12













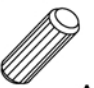
7/2mm		
	J5	E
	2	14



# ALTON Typ 481










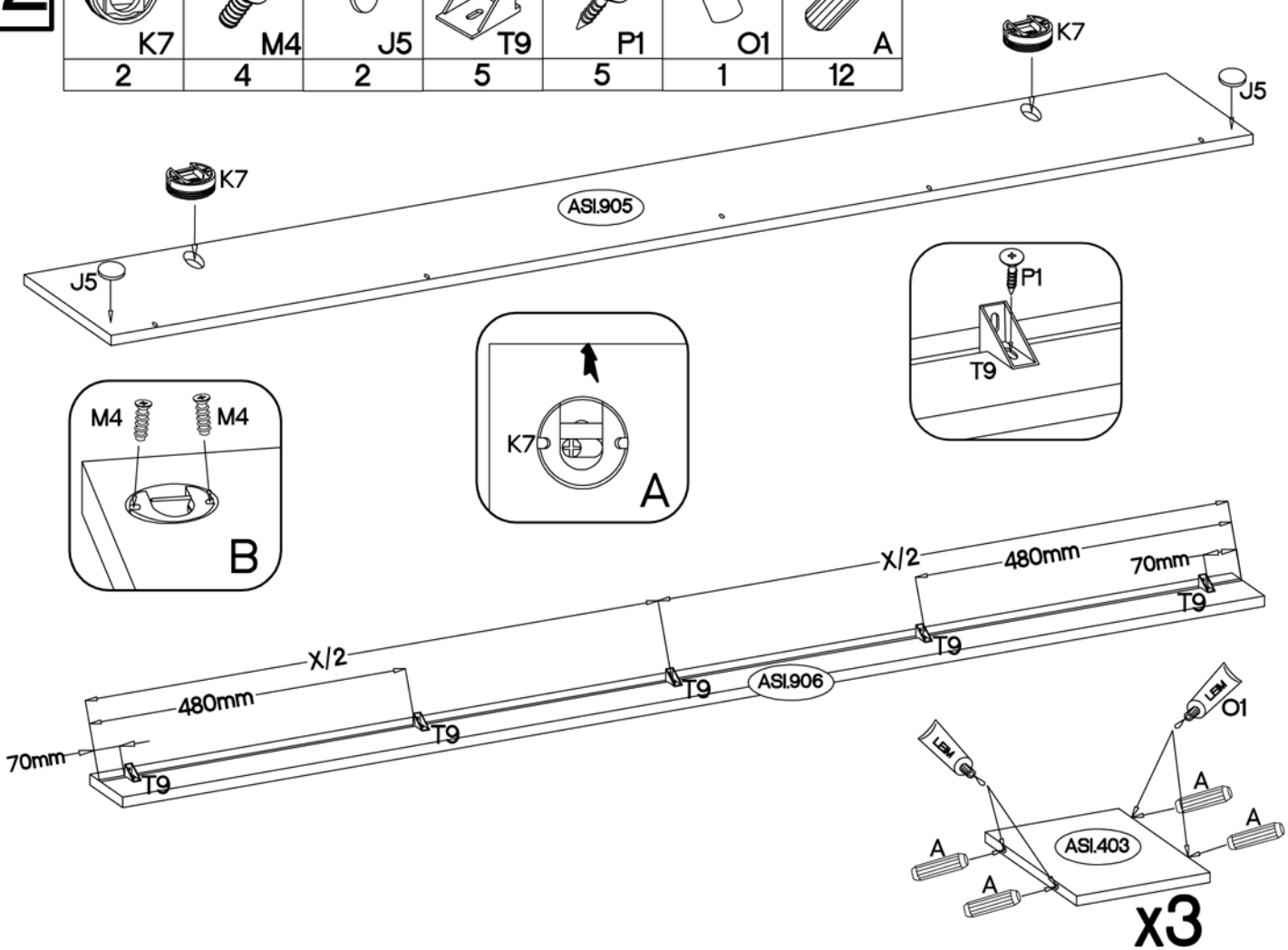
									
2	4	2	2	2	10	5	1	5	1


12


†8x30mm

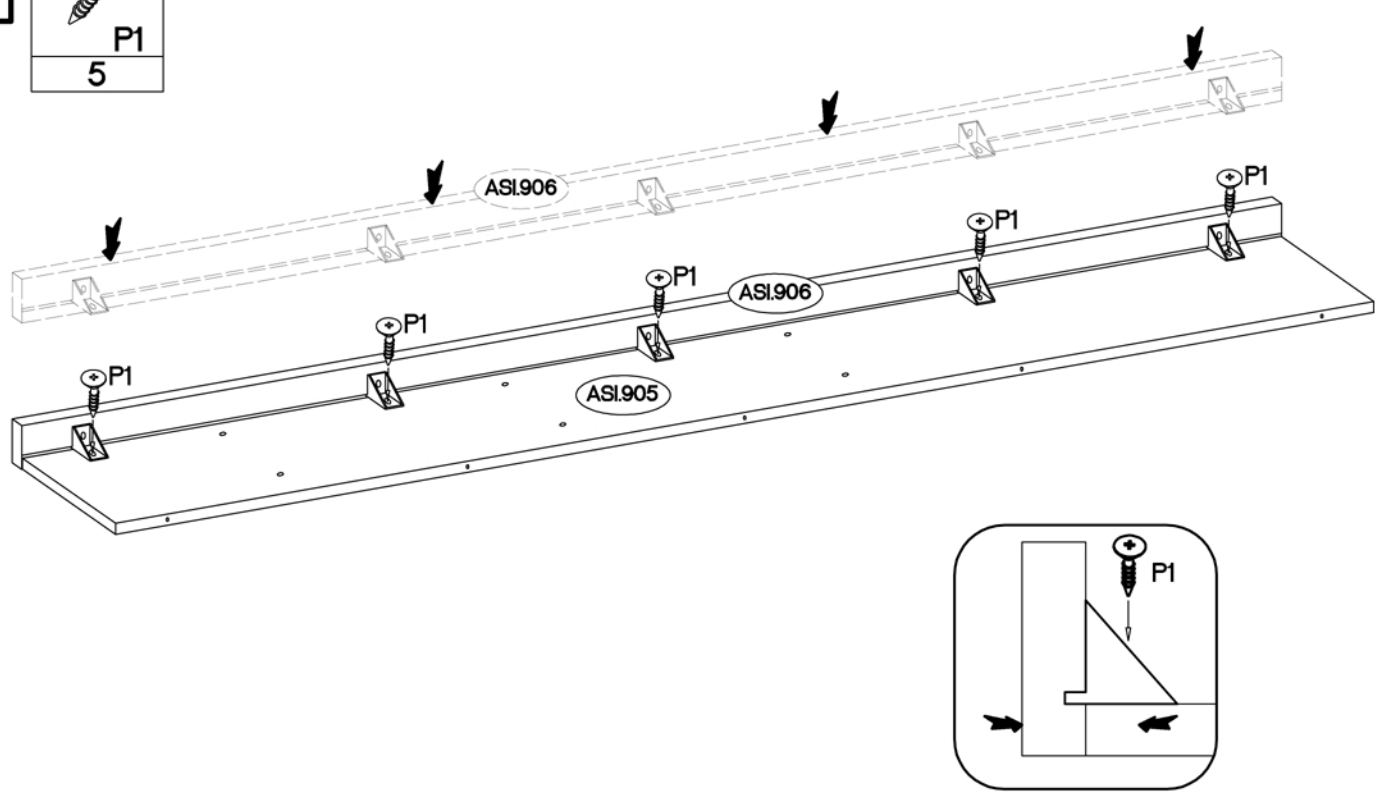
# 32

						
K7	M4	J5	T9	P1	O1	A
2	4	2	5	5	1	12

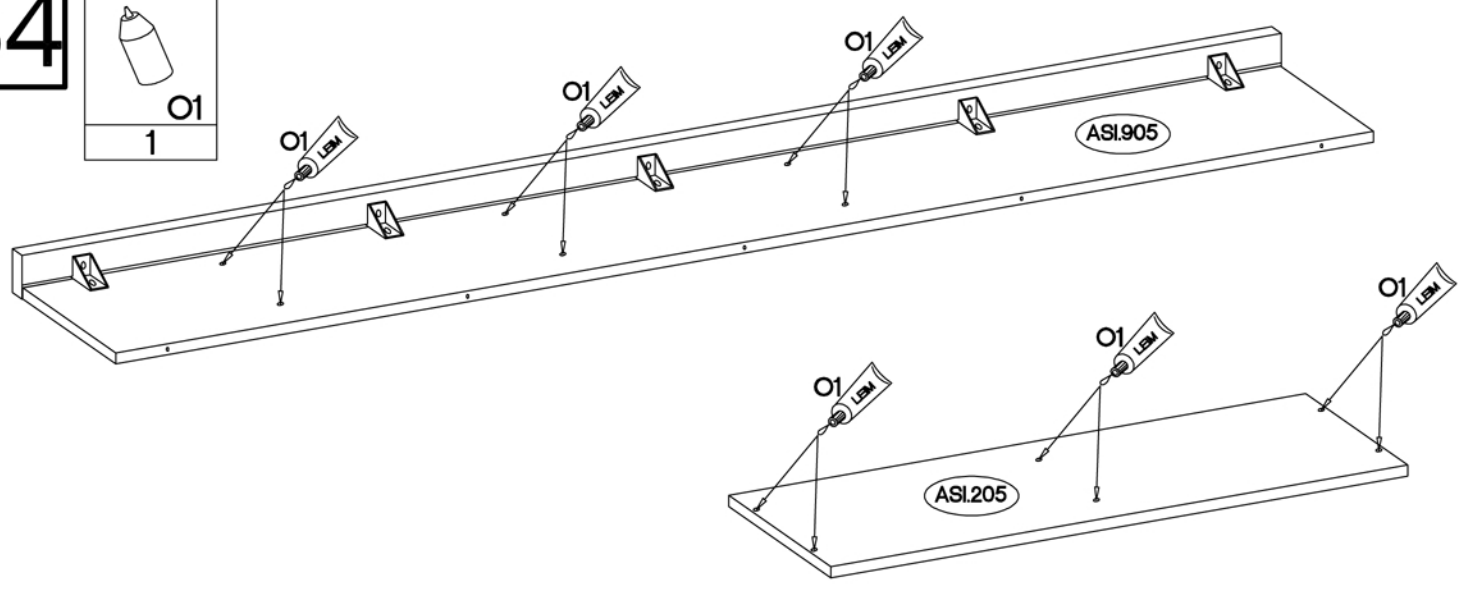
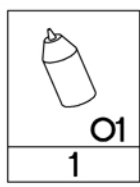


# 33

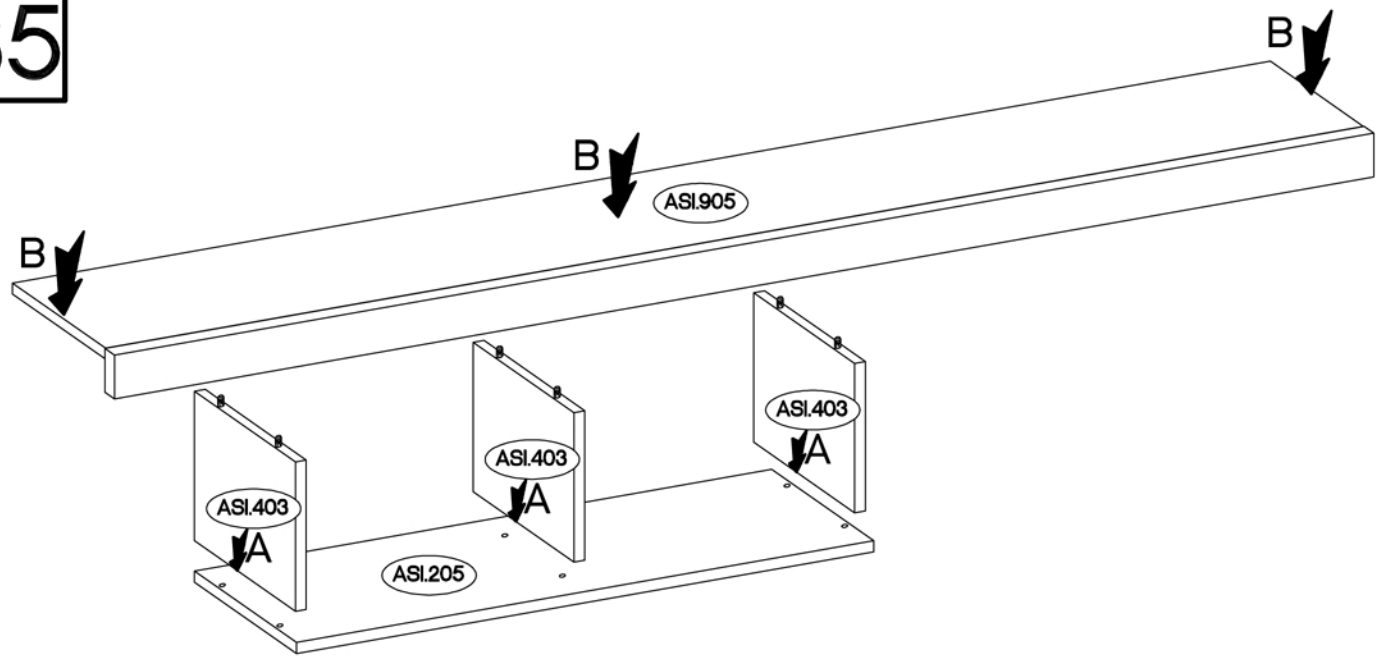

P1
5



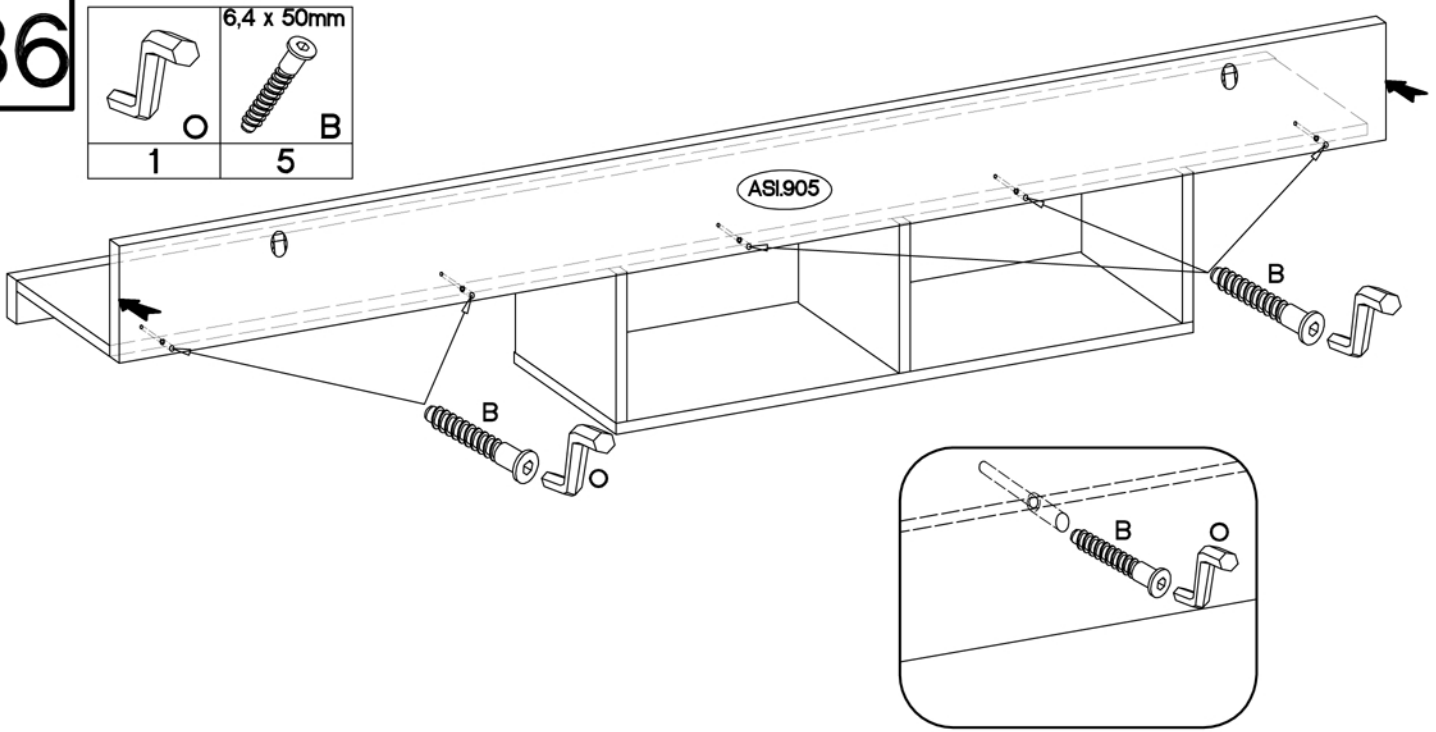
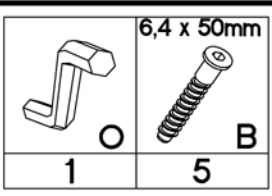
34

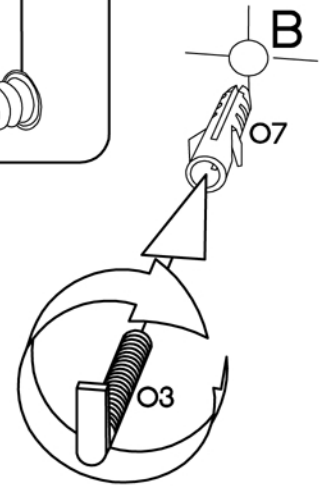
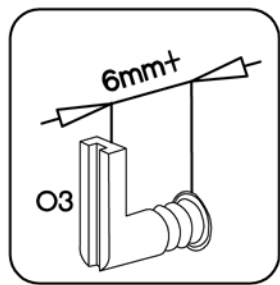
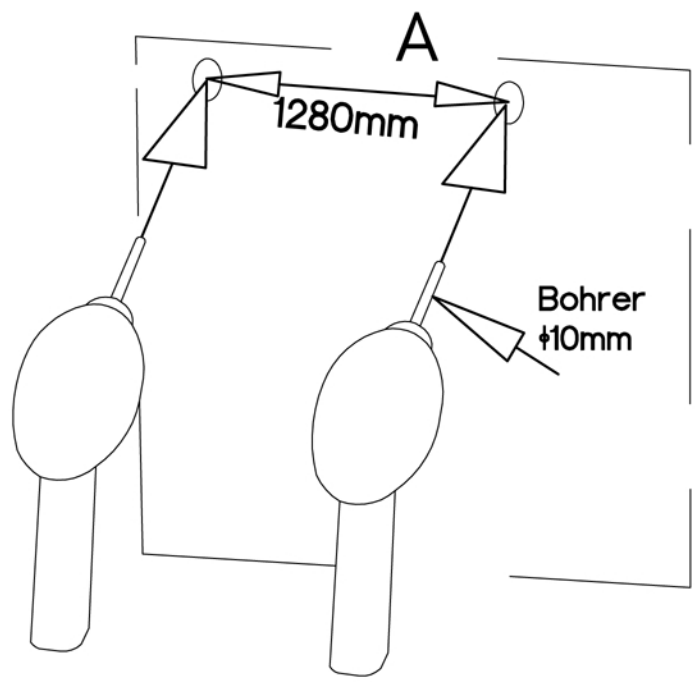
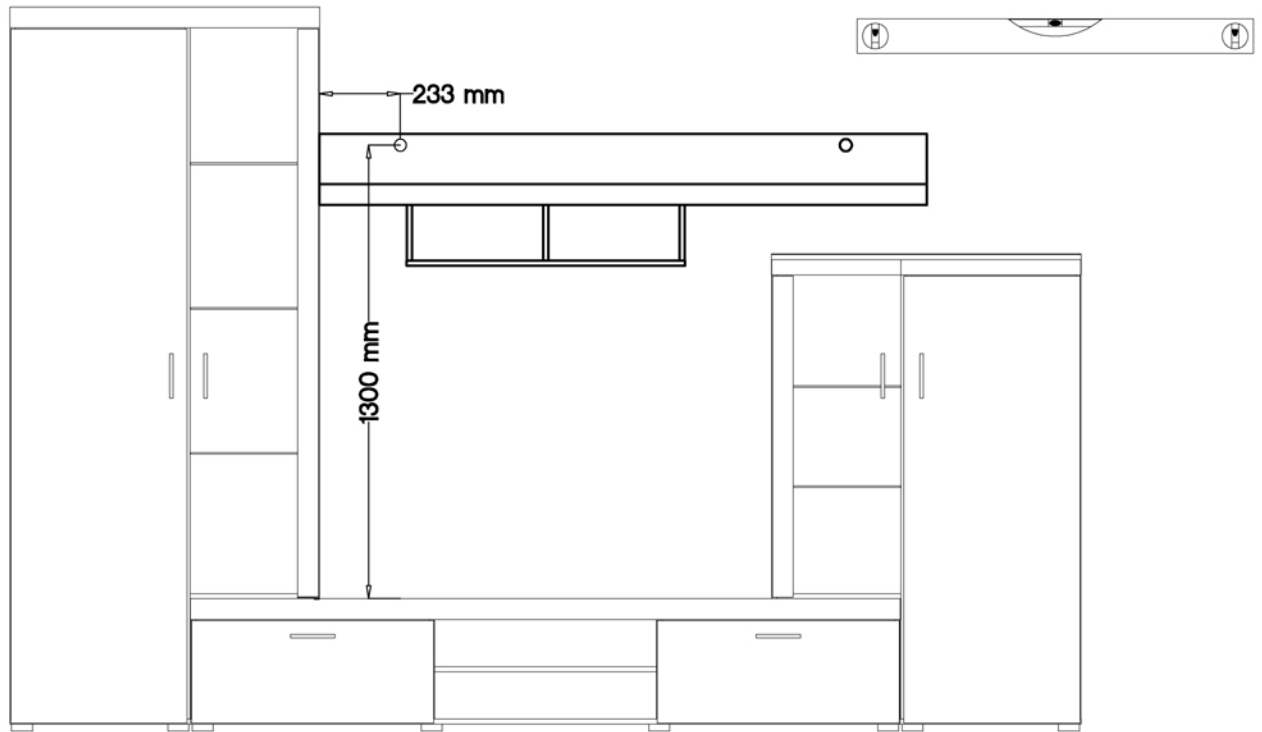




35



36





5/45mm	$\varnothing 10 \times 50\text{mm}$
	
O3	O7
2	2

