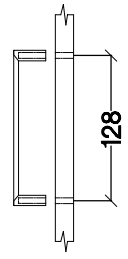
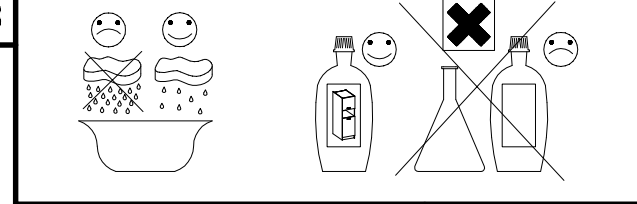
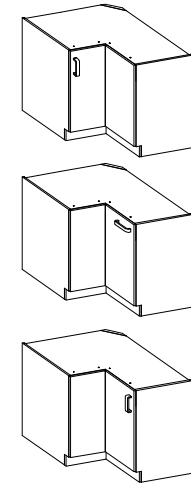
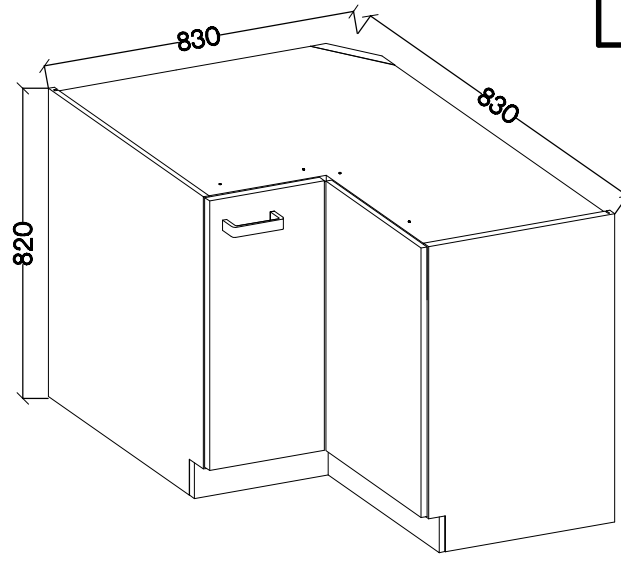
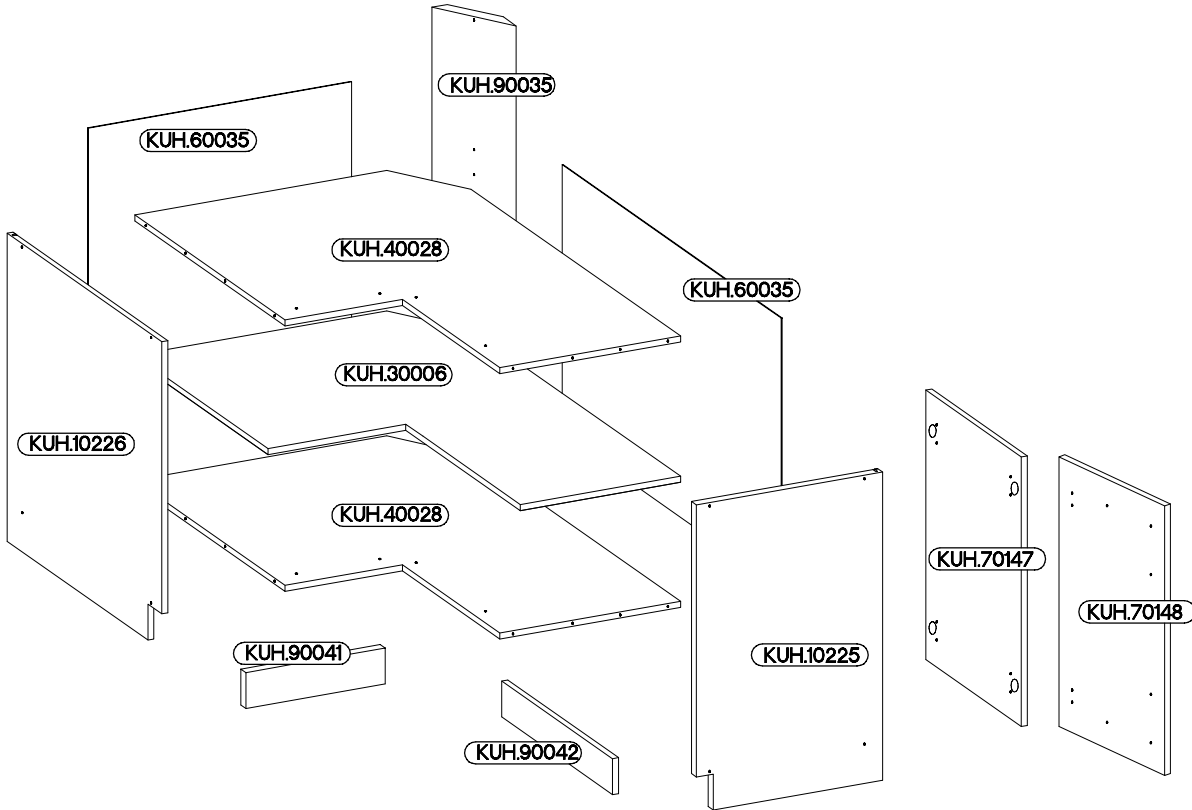
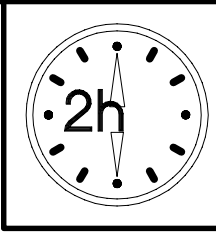


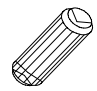



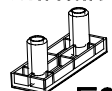

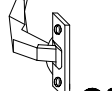
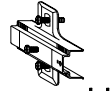

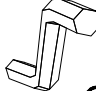
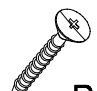



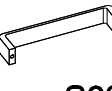

89x89 ND 2F BB

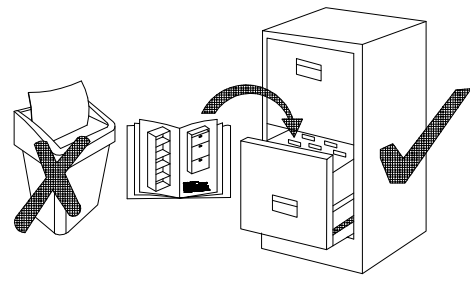


max.
10kg

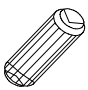
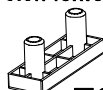
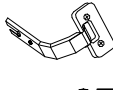
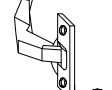
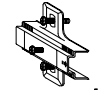

KUH.30006
KUH.40028

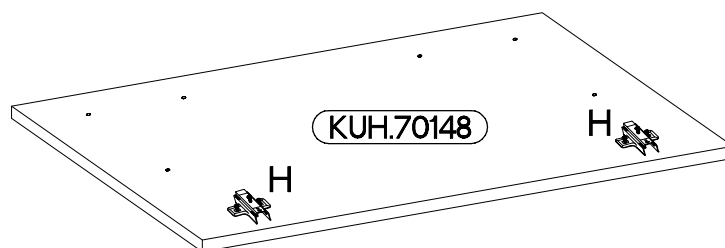
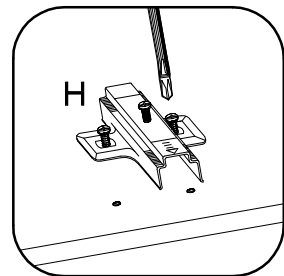
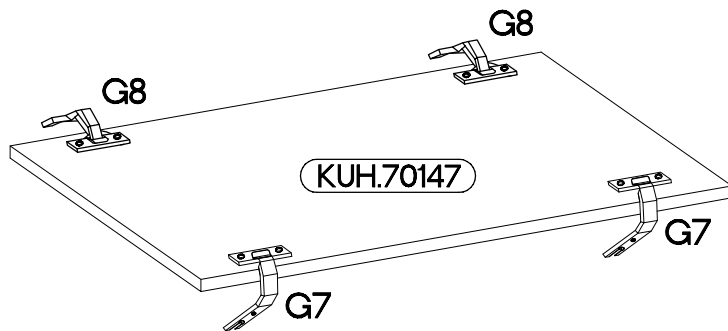
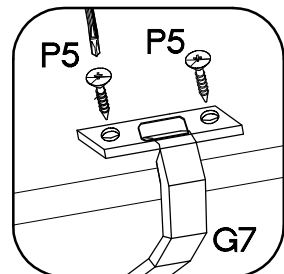
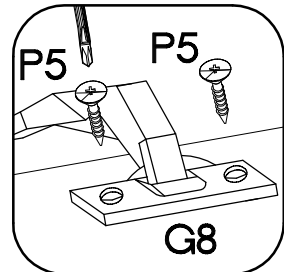
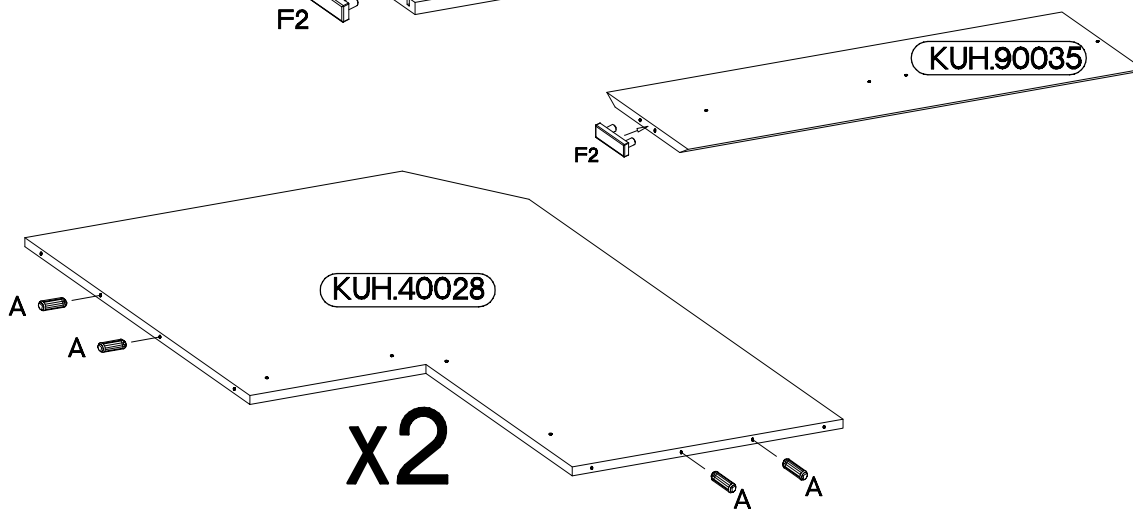
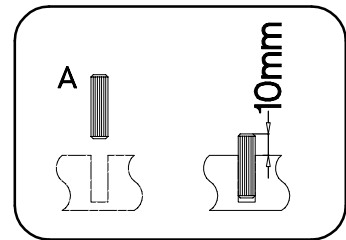
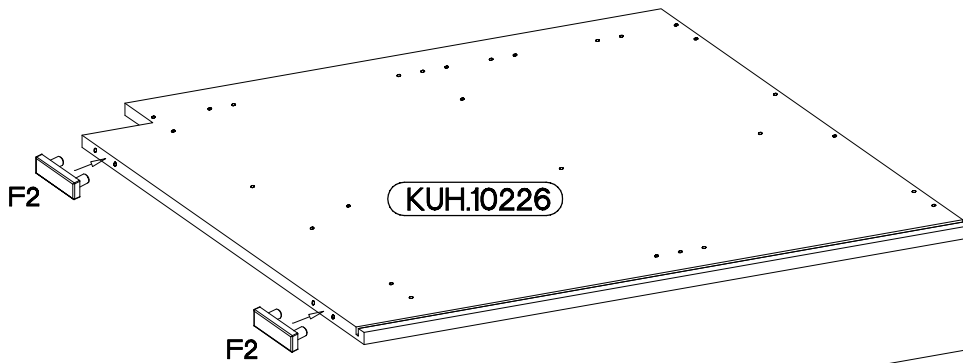
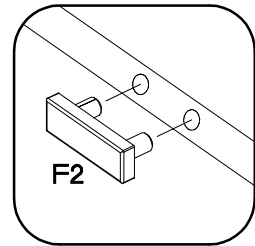
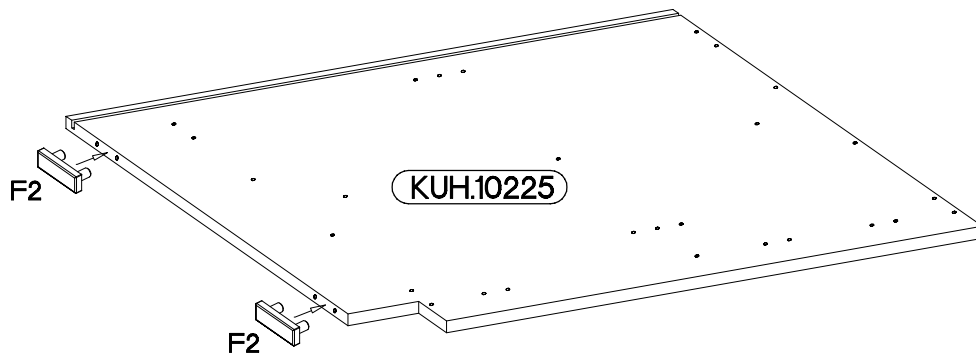
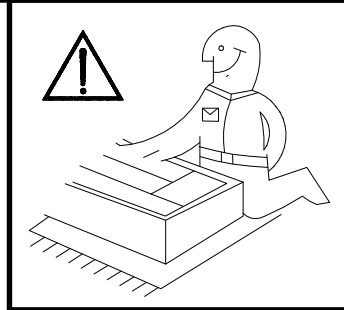


 A	 B	 E1	 E9	 F2	 G7	 G8	 H
8	10	8	4	5	2	2	4
 J	 O	 P4	 P5	 P7	 R3	 S23	 U
5	1	4	8	20-25	4	1	2



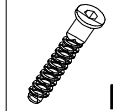
ISM-KUH-00930

±8x30mm  A 8	6.5x48x16  F2 5	 G7 2	 G8 2	 H 2	±3.5x13mm  P5 8
---	--	---	---	--	--



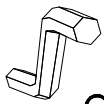
2

6,4 x 50mm



B

4



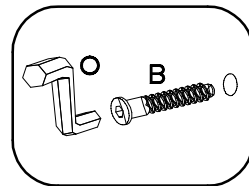
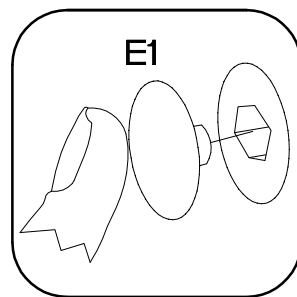
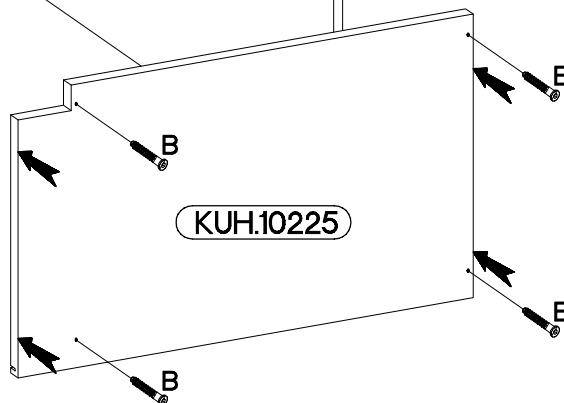
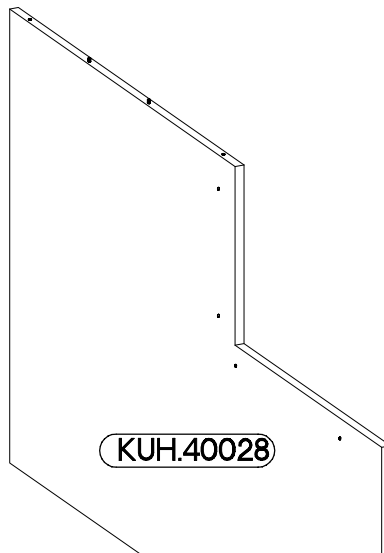
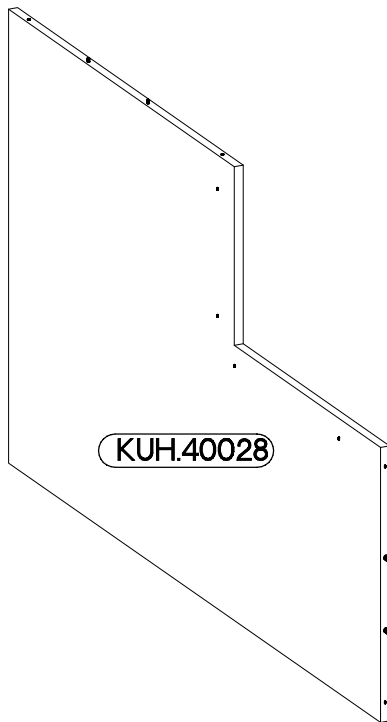
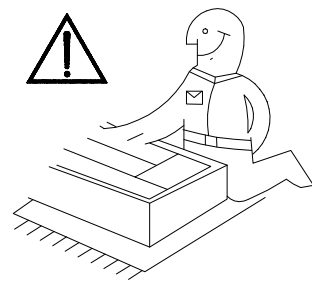
O

1



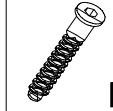
E1

4



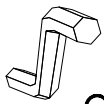
3

6,4 x 50mm



B

4



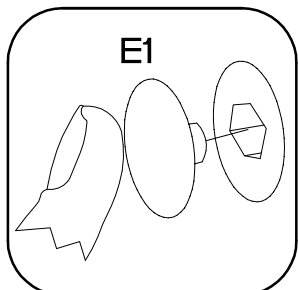
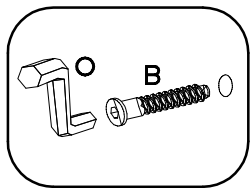
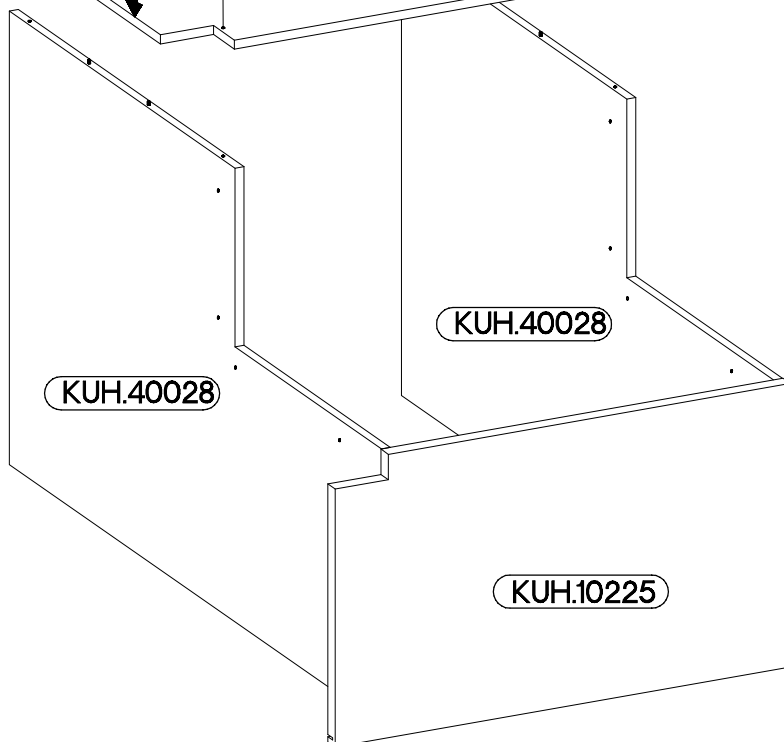
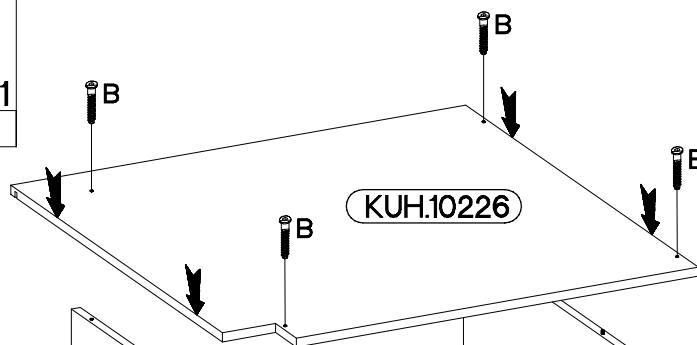
O

1

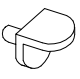


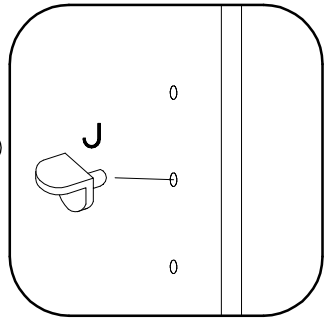
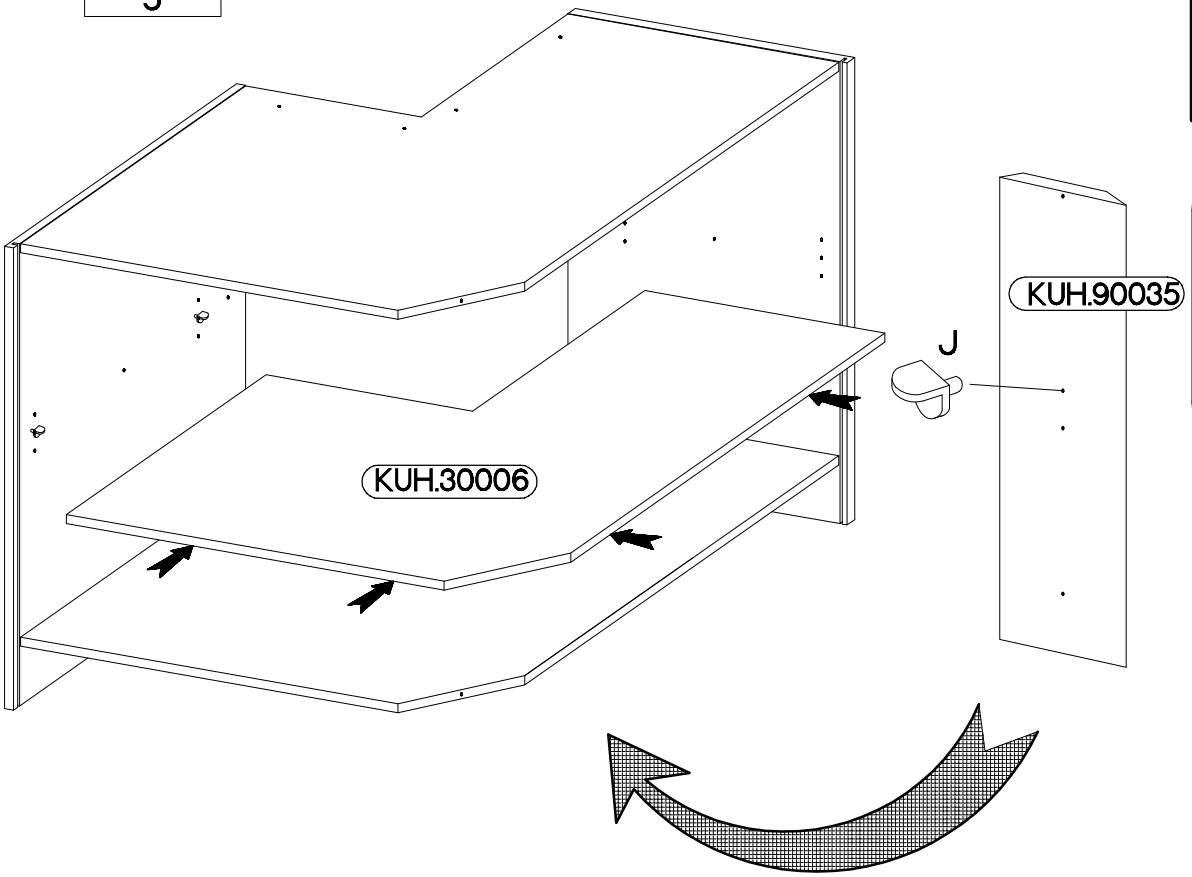
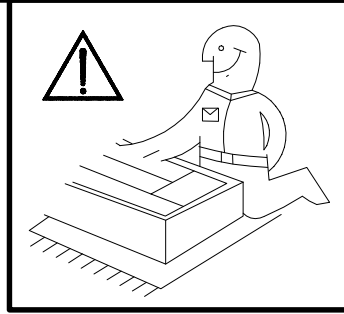
E1

4


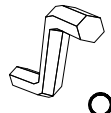


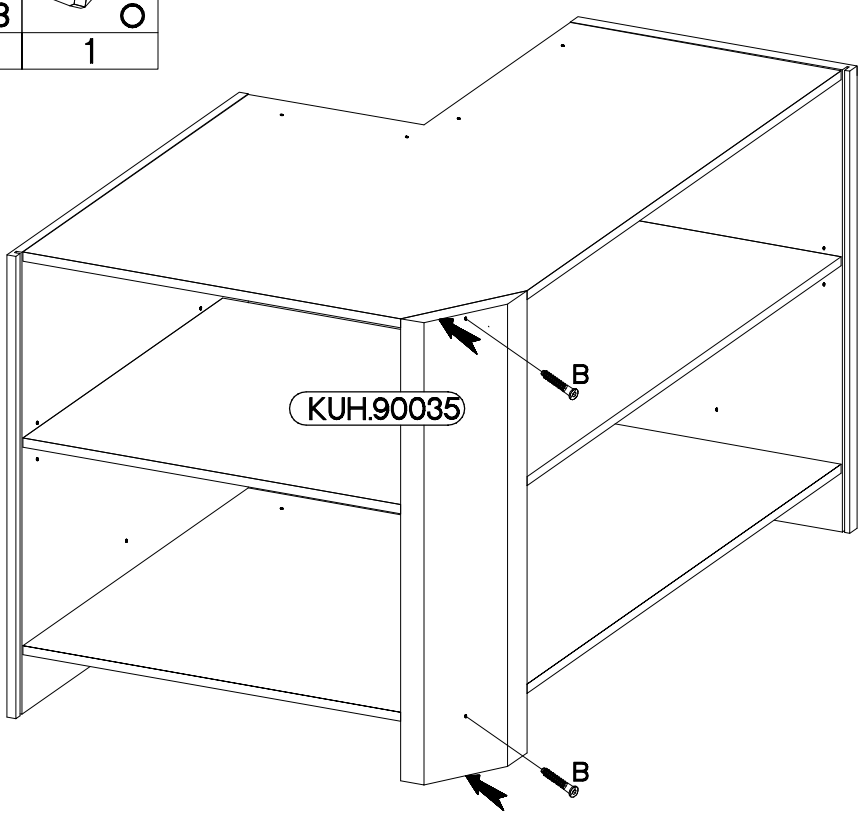
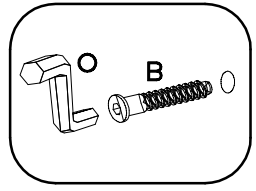
4

±5/19mm

J
5



5

6,4 x 50mm	
	
B	O
2	1



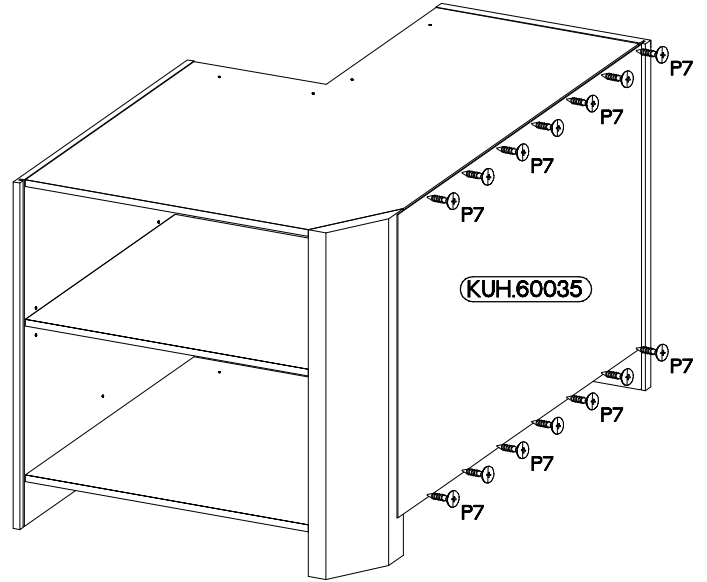
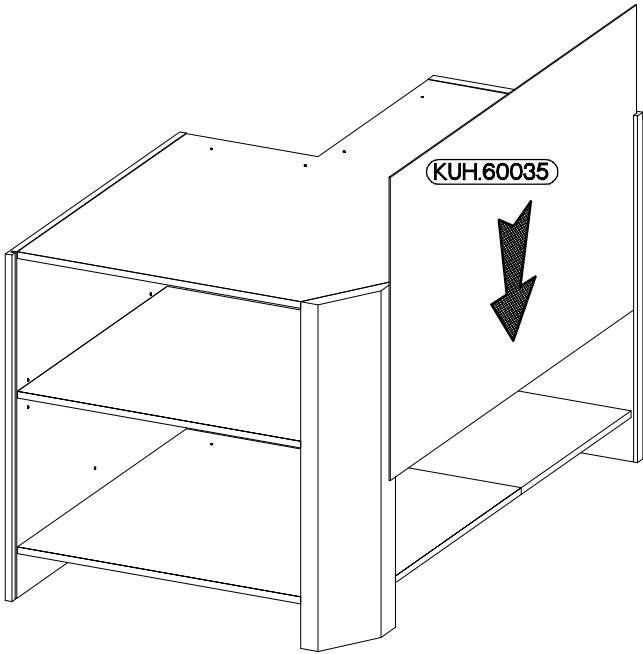
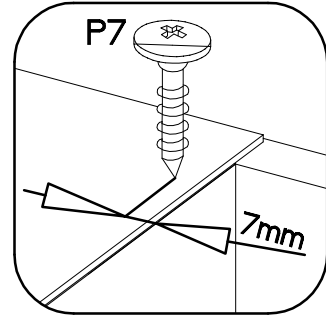
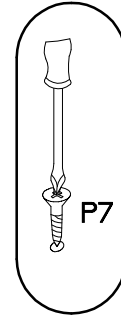
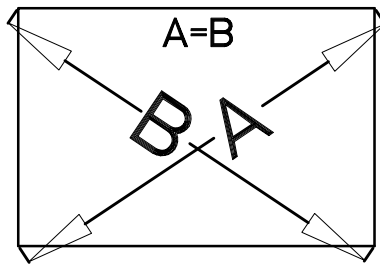
6

±3.0x20mm



P7

10-15



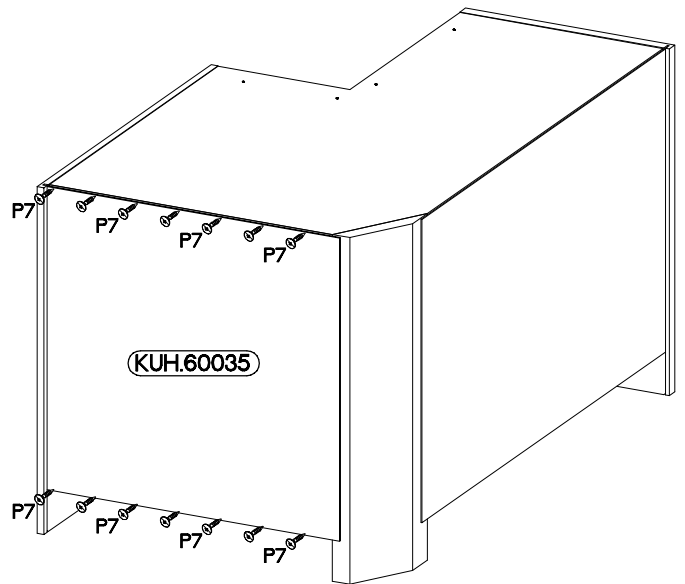
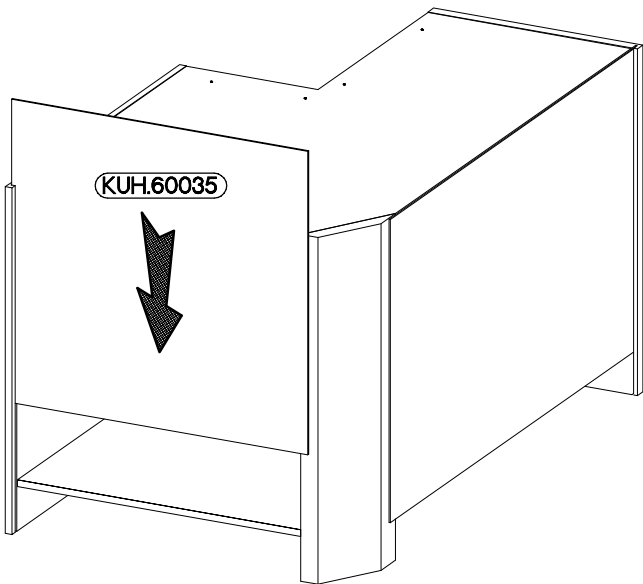
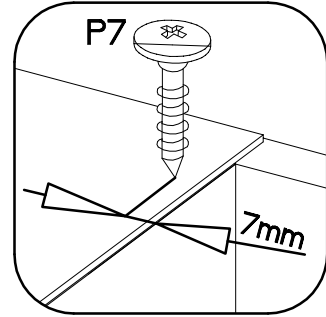
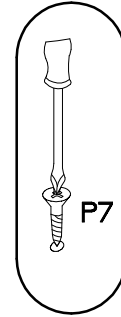
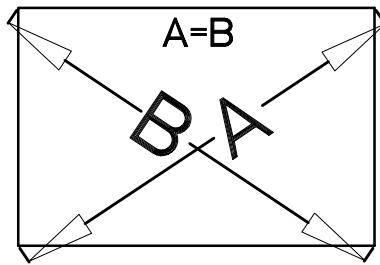
7

±3.0x20mm



P7

10-15



8

±4.0x45mm



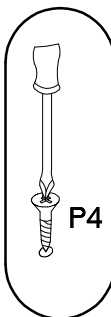
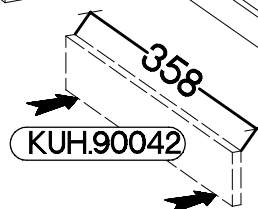
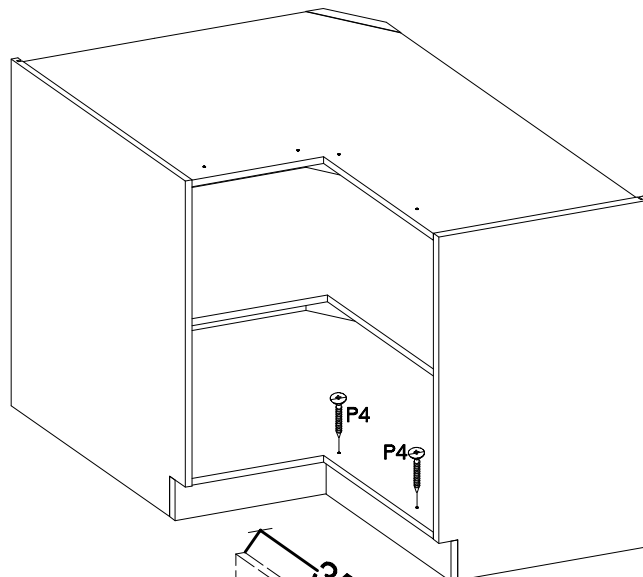
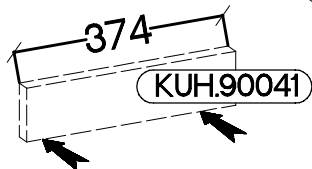
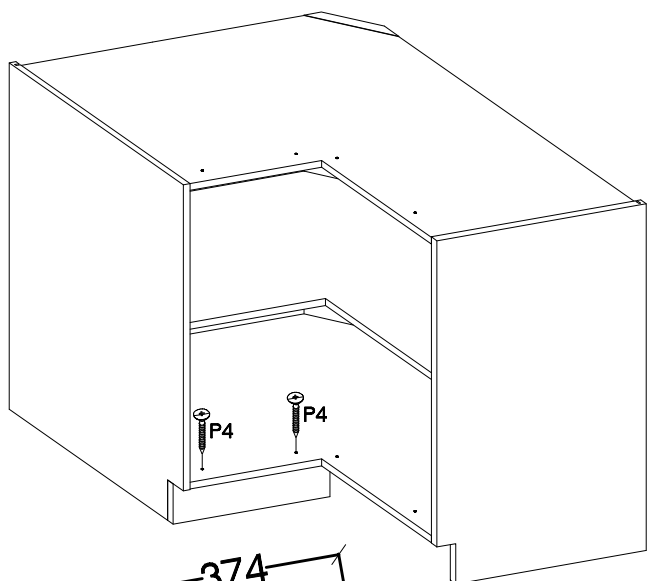
P4

4

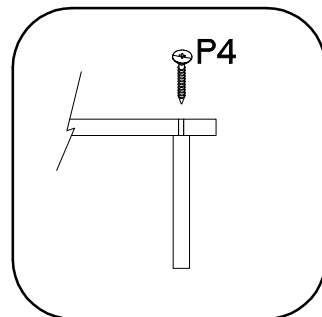


E9

4



P4



P4

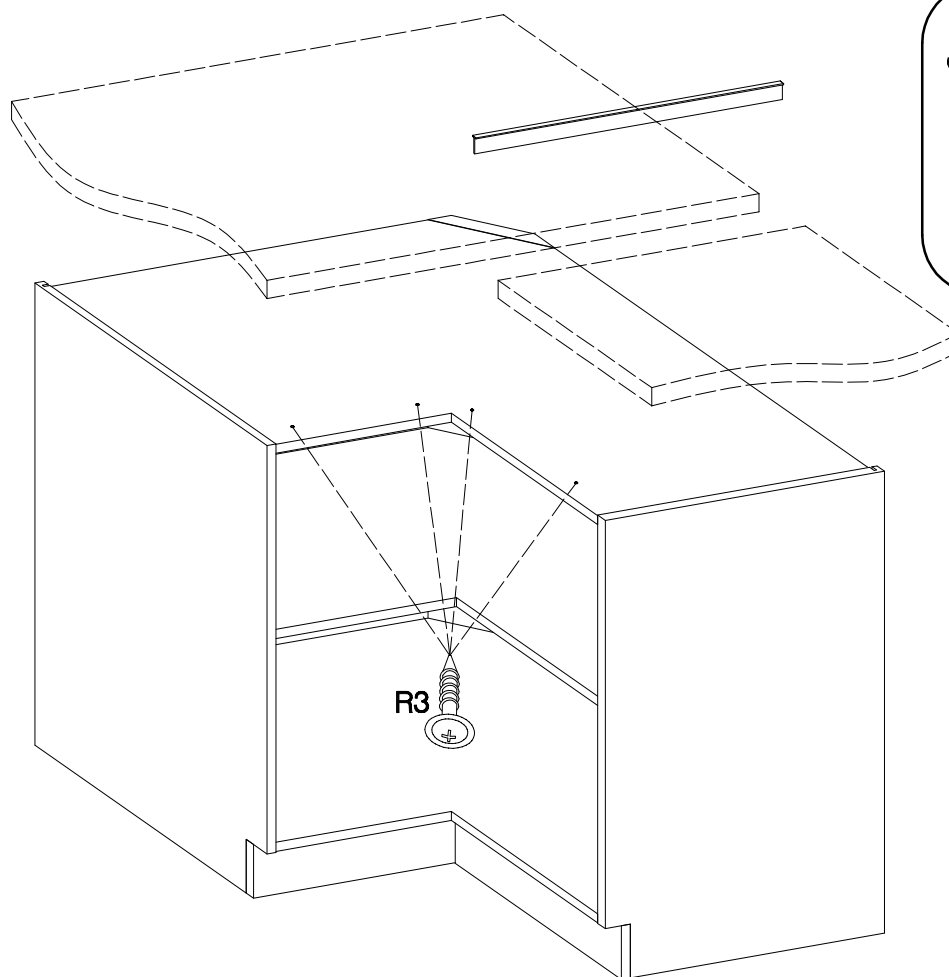
9

±4.0x35mm

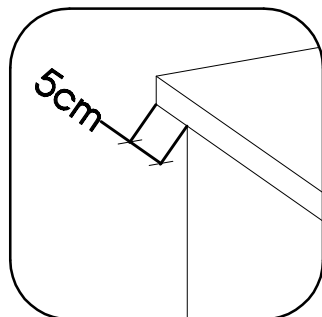


R3

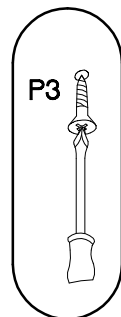
4



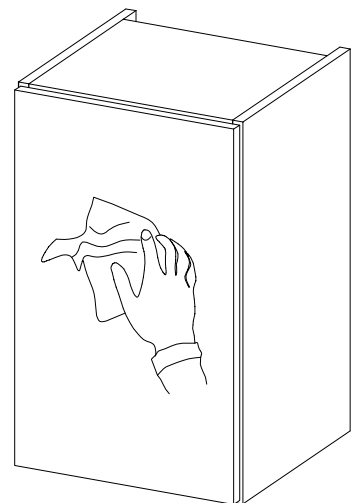
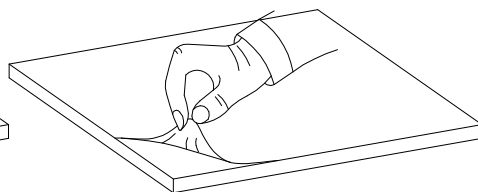
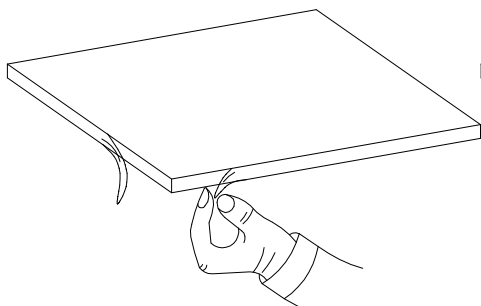
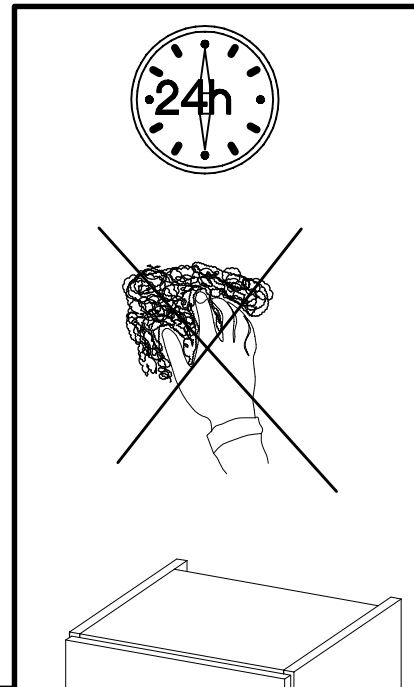
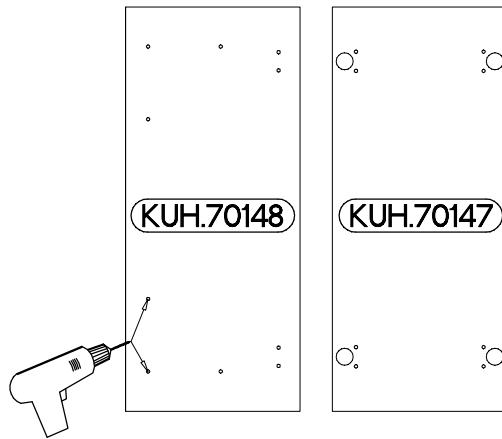
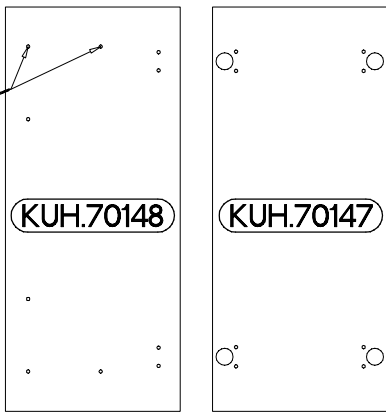
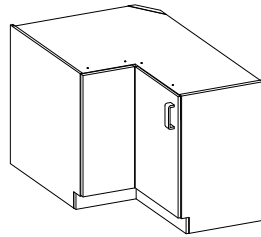
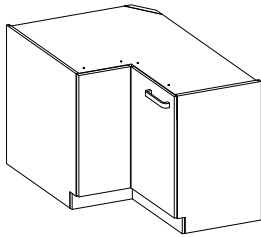
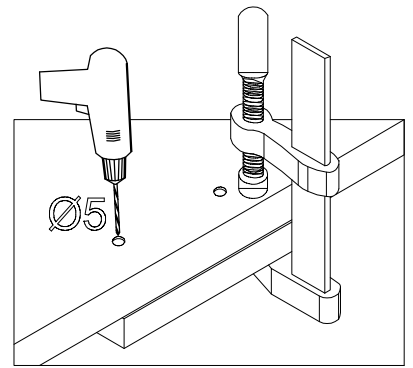
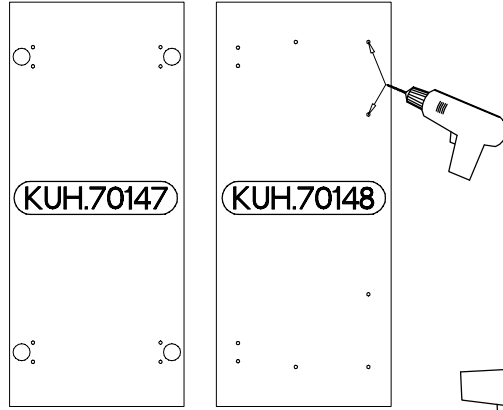
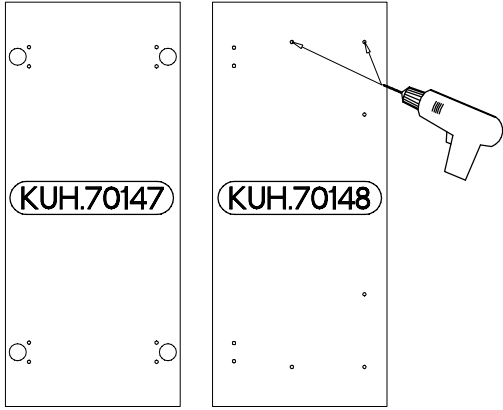
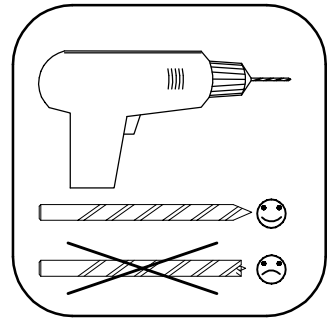
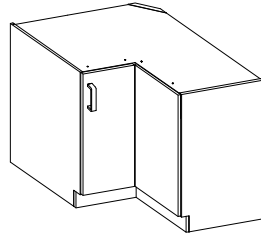
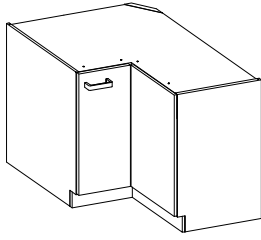
R3



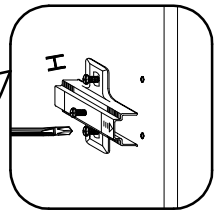
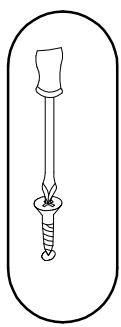
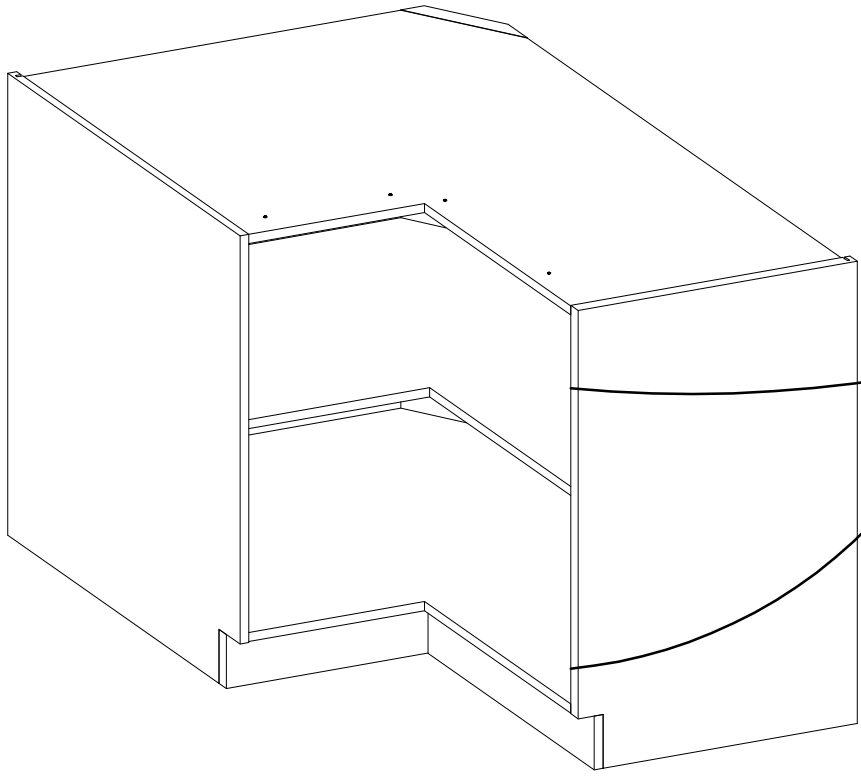
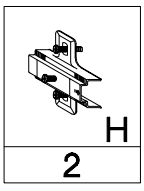
5cm



P3



11



12

