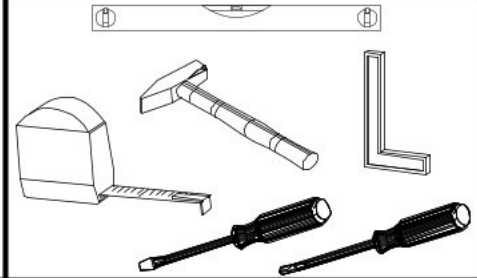


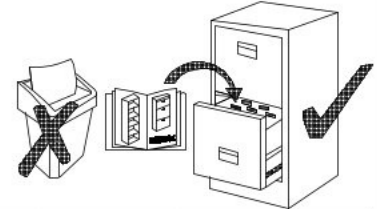
SO01



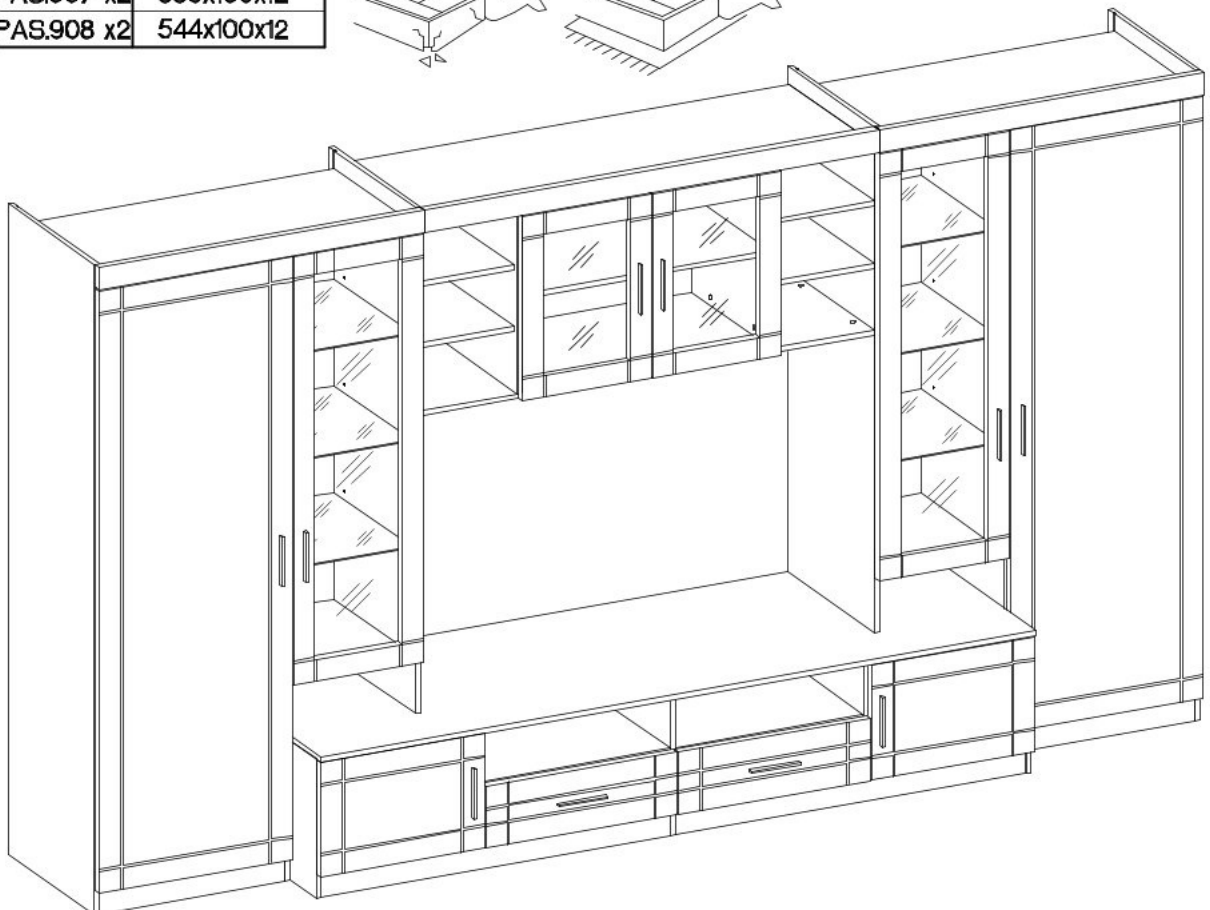
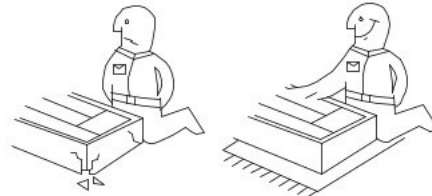
Coli	Typ	Ersatzteil Nummer	Dimension	Coli	Typ	Ersatzteil Nummer	Dimension
1/8	WHO1F/SO01F	PAS.702	1297x400x16	5/8	SO01	PAS.101	1531x320x16
		PAS.703	1297x400x16			PAS.401	383,5x297x16
		PAS.704 x2	558x396x16			PAS.402 x4	568,5x297x16
		PAS.705 x2	503x348x16			PAS.602	1477x395x2,5
		PAS.706 x2	589x189x16			PAS.103	1531x320x16
		PAS.401	383,5x297x16			PAS.802 x2	1197x300x4
2/8	WHO1F/SO01F	PAS.701	1824x593x16				
		PAS.701	1824x593x16	Coli	Typ	Ersatzteil Nummer	Dimension
3/8	SO01	PAS.406 x2	576x392x16	6/8	SO01	PAS.301 x6	568x283x16
		PAS.407 x2	1074,5x393x15			PAS.403	968x298x16
		PAS.505	423x393x16			PAS.901 x2	568,5x70x16
		PAS.506	336x393x16			PAS.902 x2	1000x70x16
		PAS.507	336x393x16			PAS.404	968x298x16
		PAS.801 x6	383x283x5				
4/8	SO01	PAS.105	423x416x16	7/8	SO01	PAS.102	1970x320x16
		PAS.106	423x416x16			PAS.501	1900x298x16
		PAS.201	2199x434x16			PAS.601 x2	1844x580x2,5
		PAS.604 x2	192x590x2,5			PAS.104	1970x320x16
		PAS.605 x2	356x496x2,5			PAS.502	1900x298x16
		PAS.606 x2	328x554x2,5				
		PAS.905 x2	1074,5x70x16				
		PAS.906 x2	330x100x12				
		PAS.907 x2	330x100x12				
		PAS.908 x2	544x100x12				

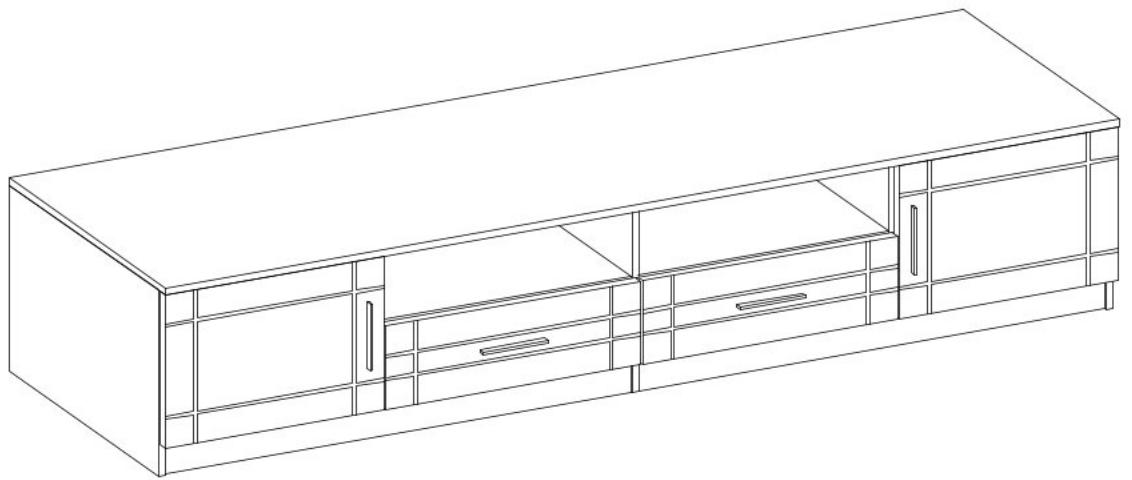
WH01F

SO01F



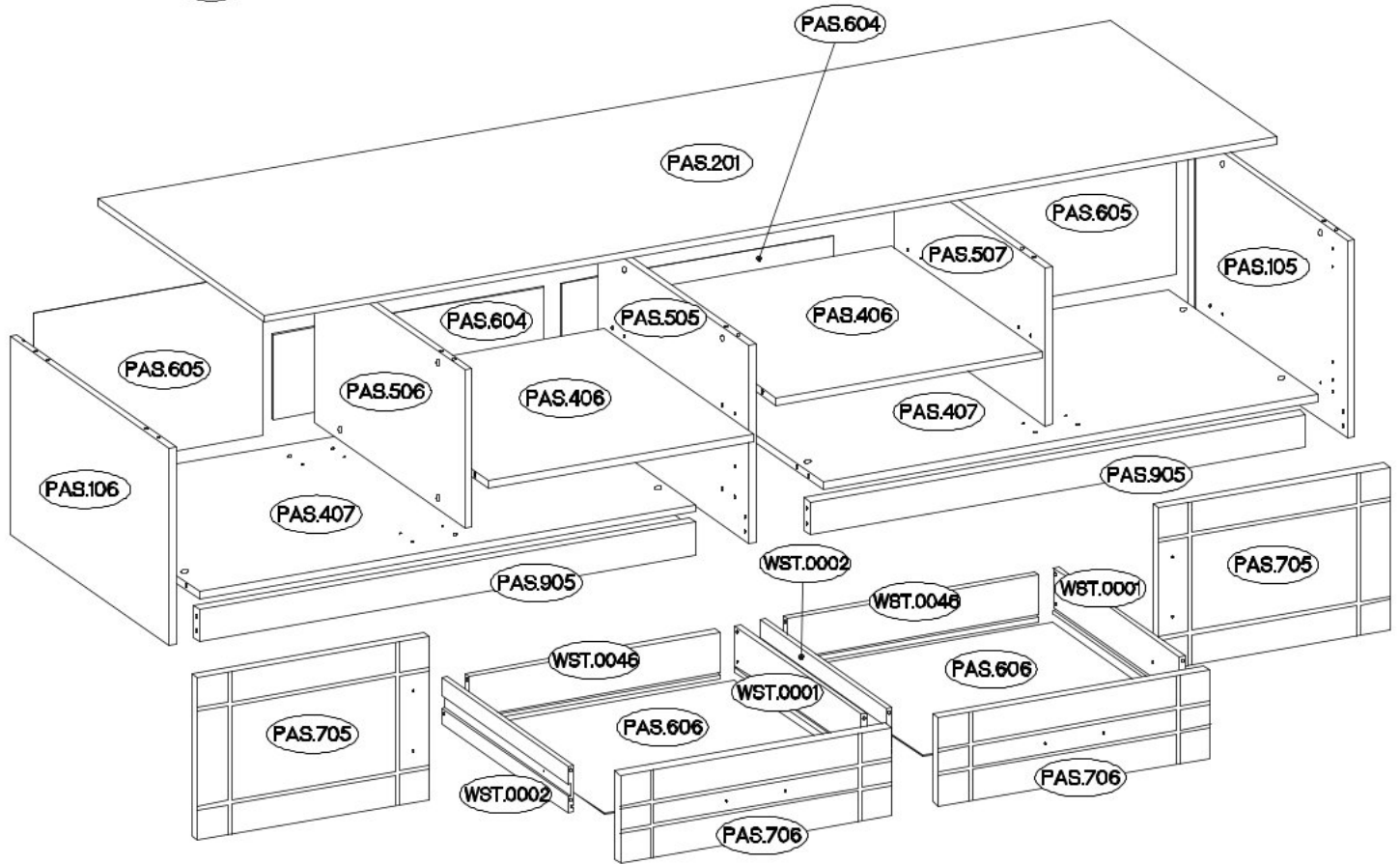
Coli	Typ	Ersatzteil Nummer	Dimension
8/8	SO01	PAS.302 x4	299x267x16
		PAS.303	768x283x16
		PAS.405 x2	1400x319,5x16
		PAS.503	548x297x16
		PAS.504	548x297x16
		PAS.603	557x798x2,5
		PAS.704 x2	558x396x16
		PAS.903	1400x70x16
		PAS.904 x2	548x300x16
		PAS.803 x2	458x296x4





PAS.406 = max. 5kg

PAS.201 = max. 15kg

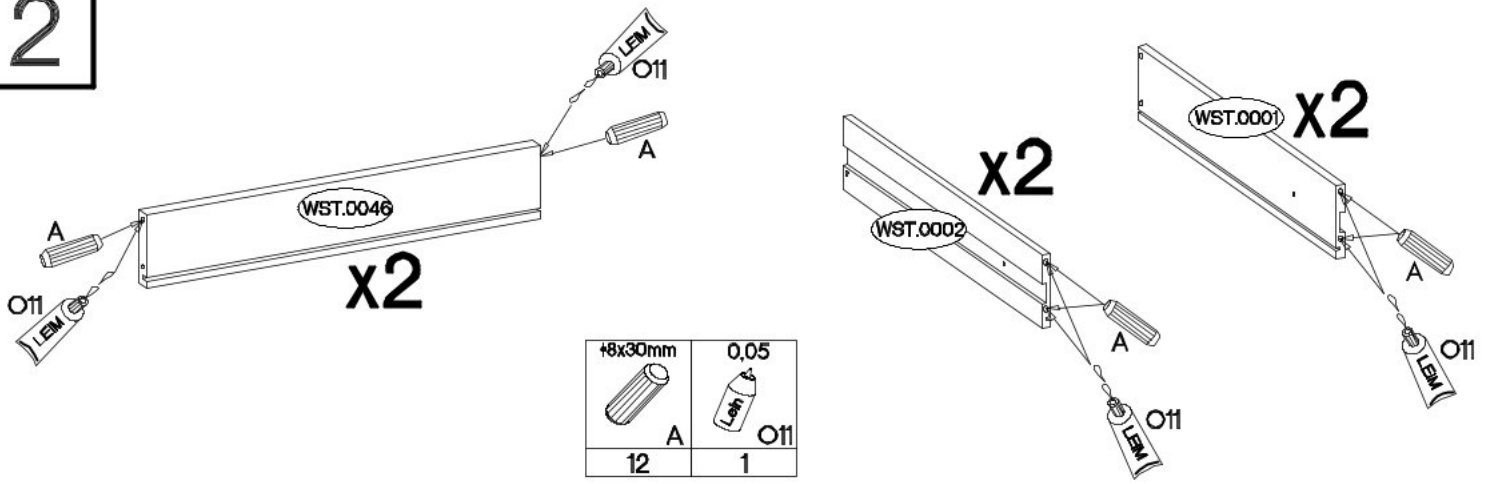


6.5x48x16	L=56mm
F2	D4
6	4

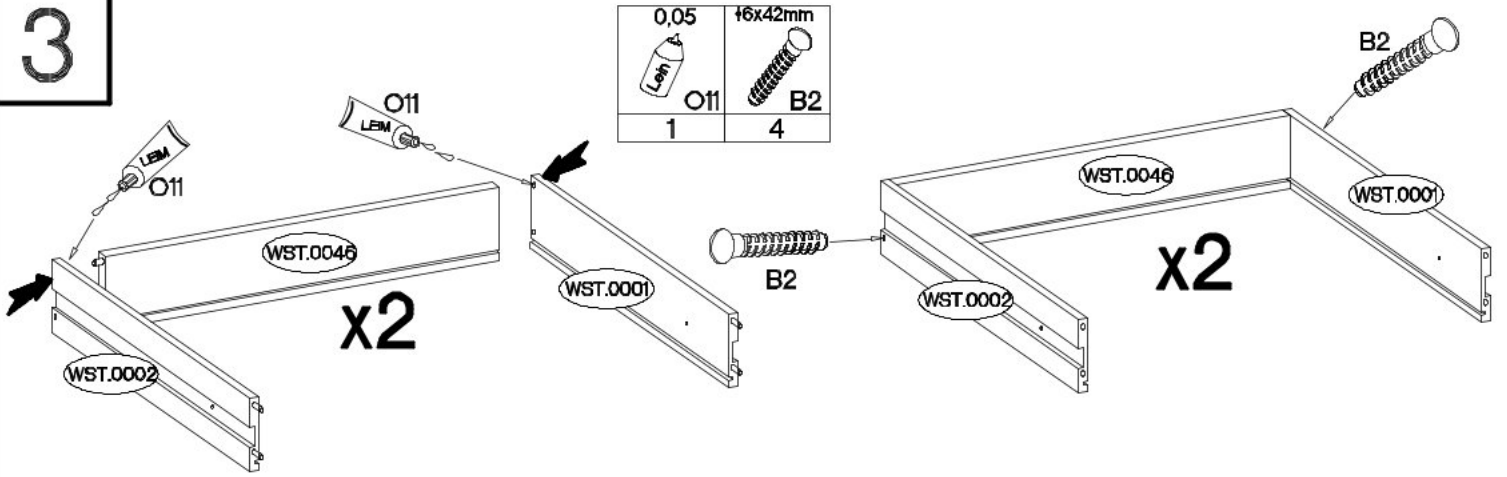
	+4.0x16mm	+15x5mm	+6,3x13mm	0,05	27/310mm	+6x42mm	M4x9mm		+3.0x20mm	
T3	P1	F4	M2	Lein	O11	I4	B2	U1	L2	P7
2	4	2	8	1	2	4	4	4	6	24
+15/12mm	+8x30mm	L=20mm		+35/0mm	H=0	L=128mm	+3.5x13mm	+4.0x30mm		
C	A	D2	E	G	H	S11	P5	R2	L	
30	50	22	18	4	4	4	8	8	12	



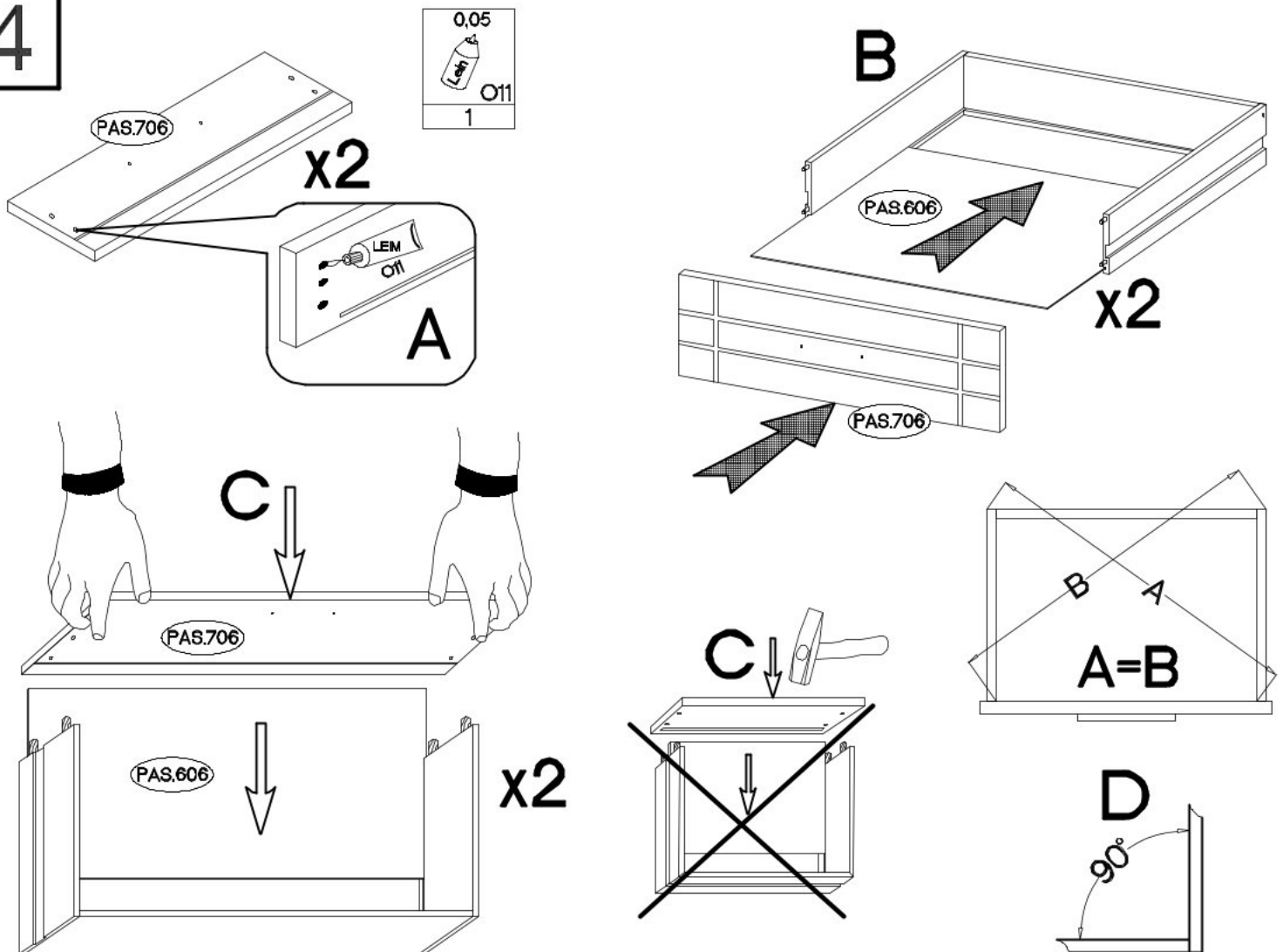
2

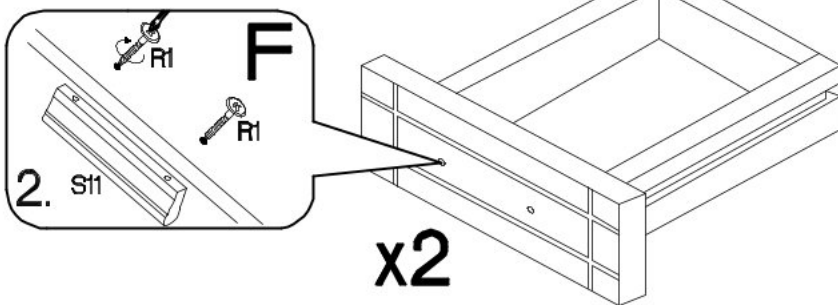
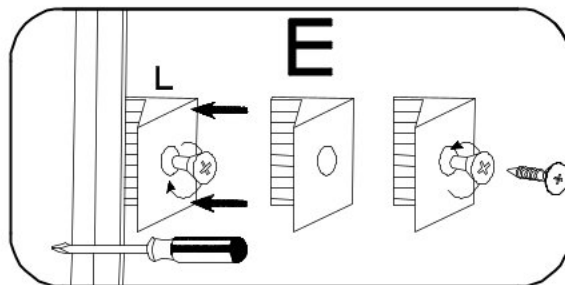
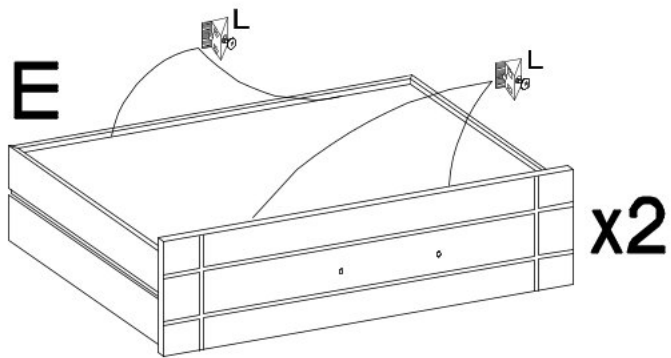


3



4

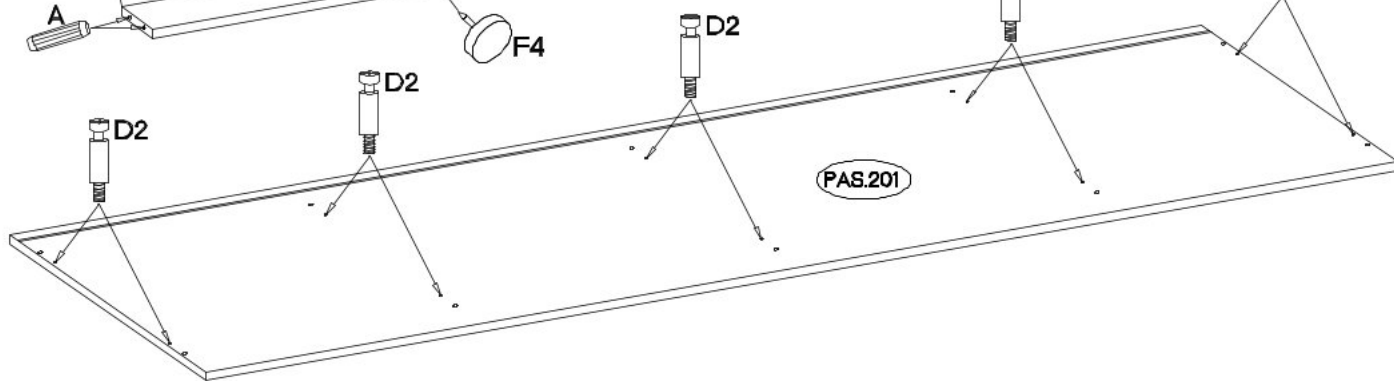
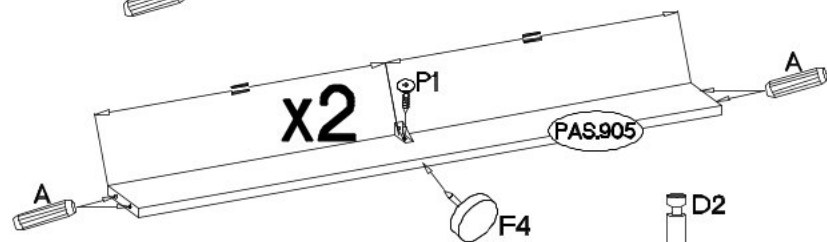
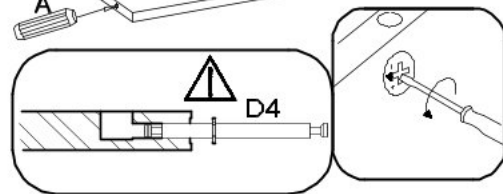
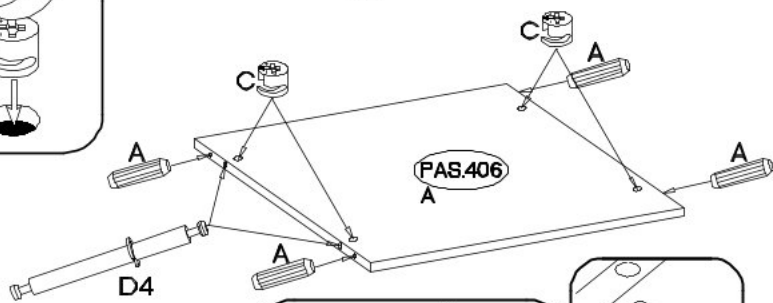
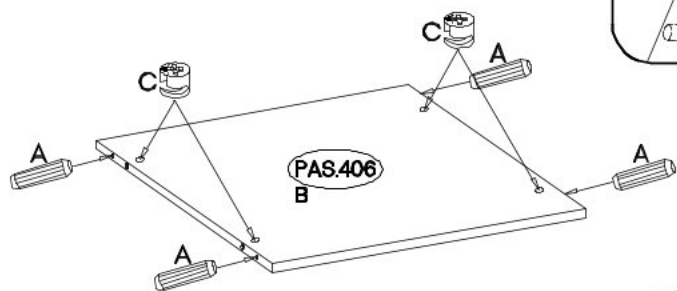
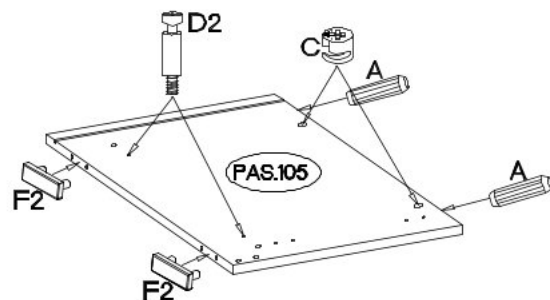
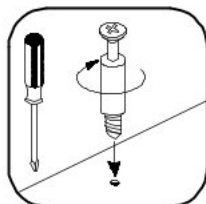
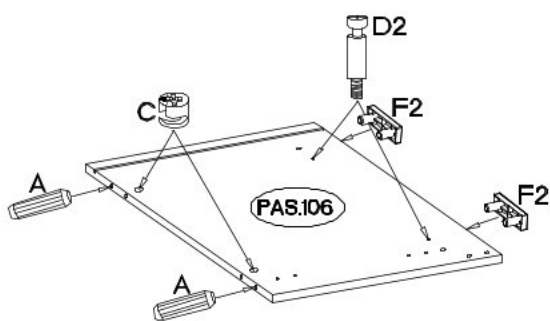


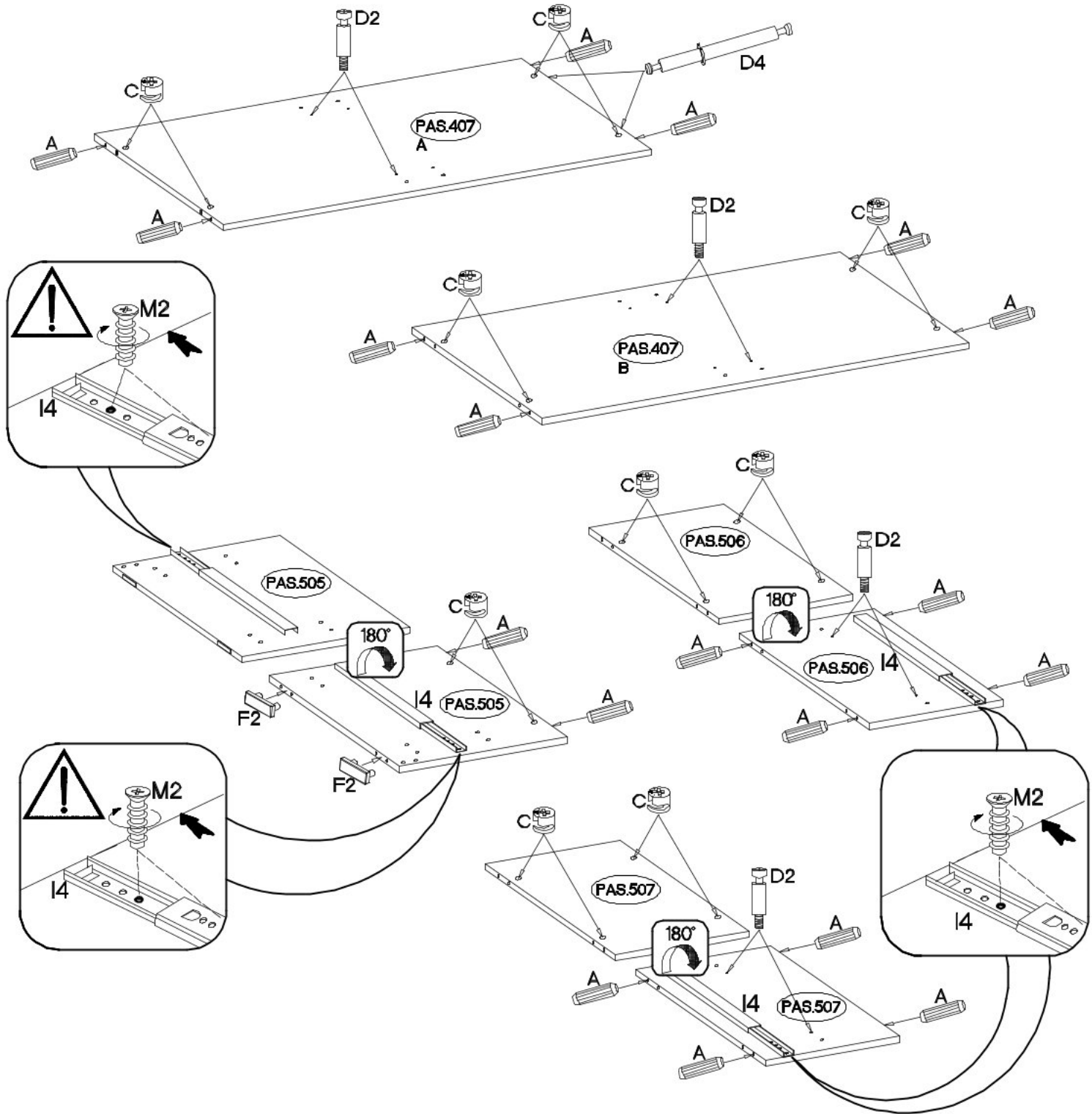


L=128mm	4.0x30mm	
S11	R2	L
2	4	8

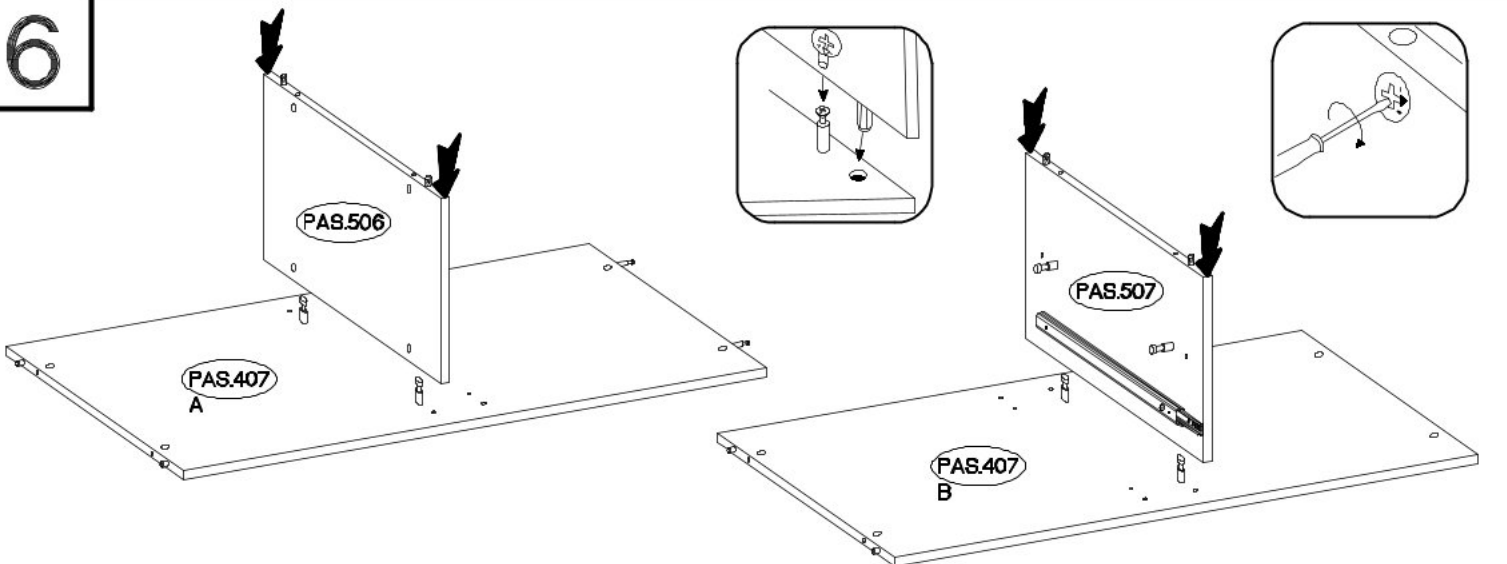
5

∅15/12mm	∅8x30mm	L=20mm	6.5x48x16	∅15x5mm	27/30mm	∅6.3x13mm	L=56mm	∅4.0x16mm
C	A	D2	F2	F4	I4	M2	D4	T3
30	38	22	6	2	2	8	4	2

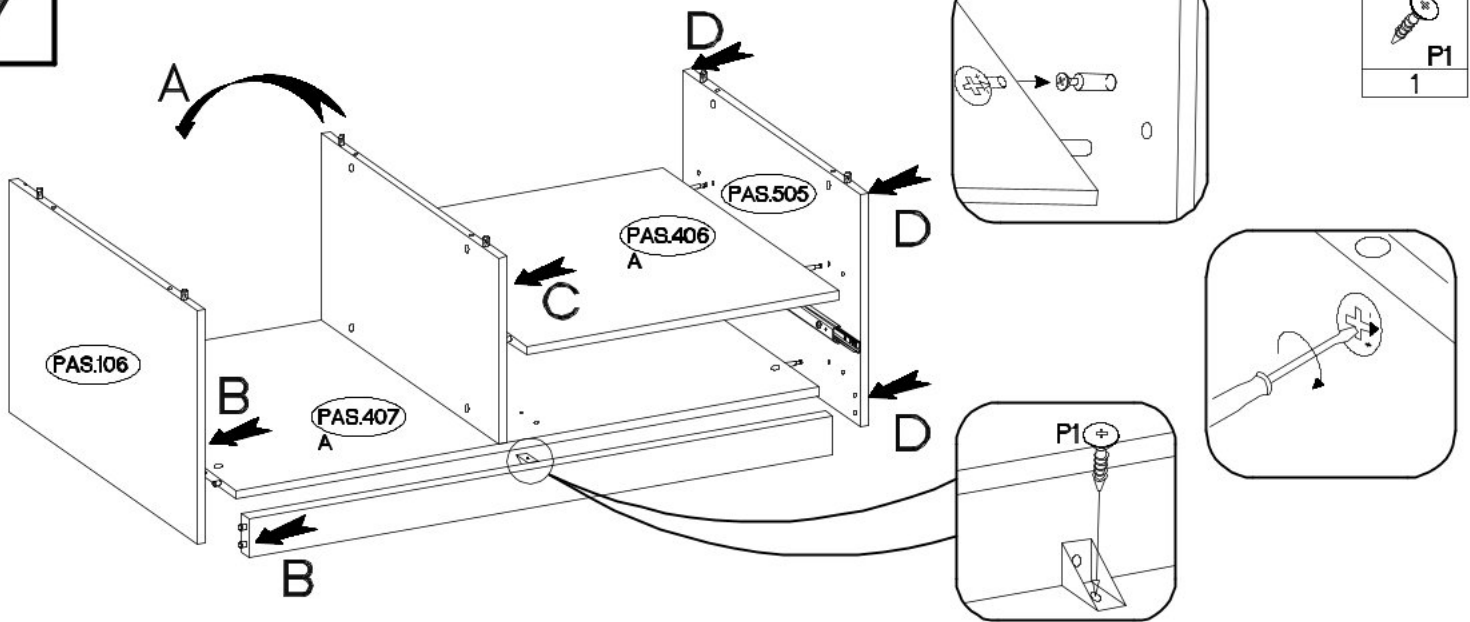




6

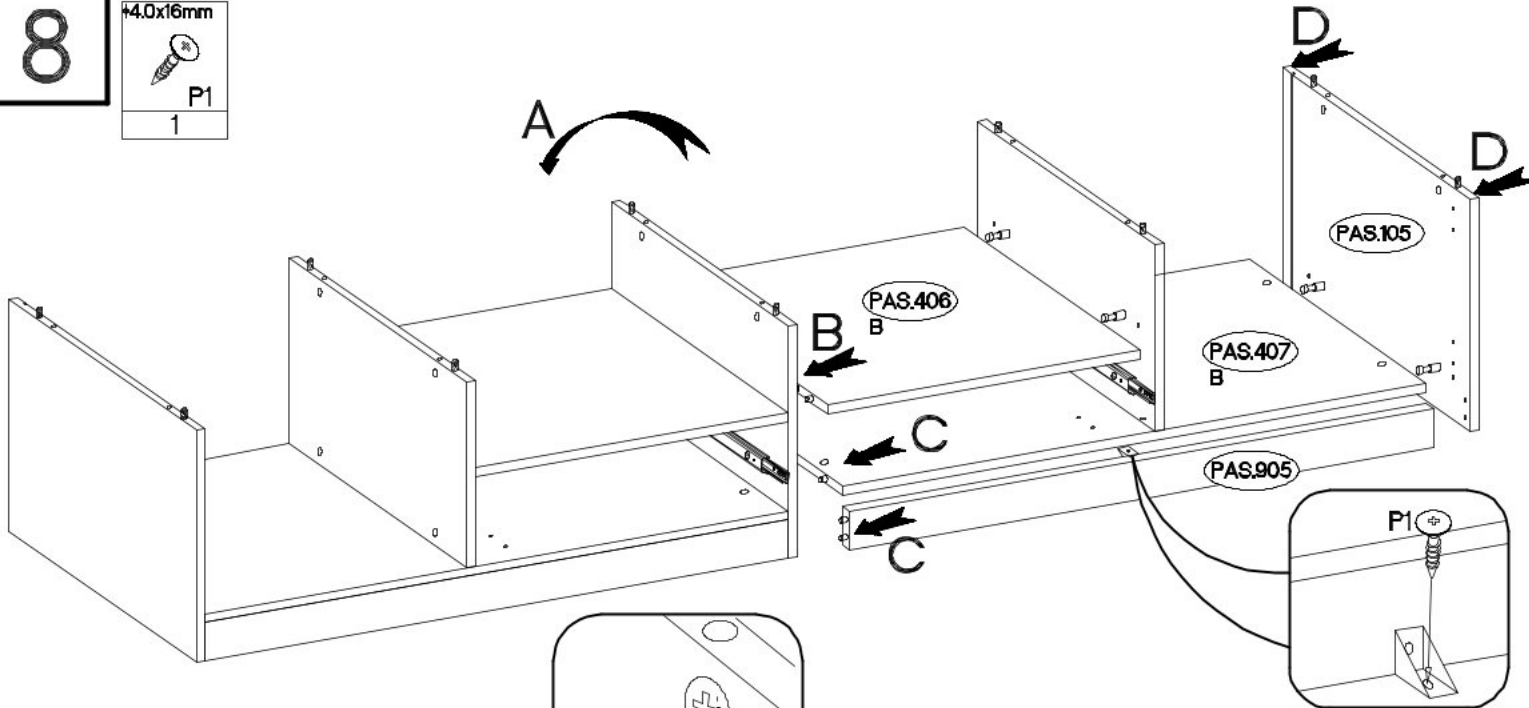


7

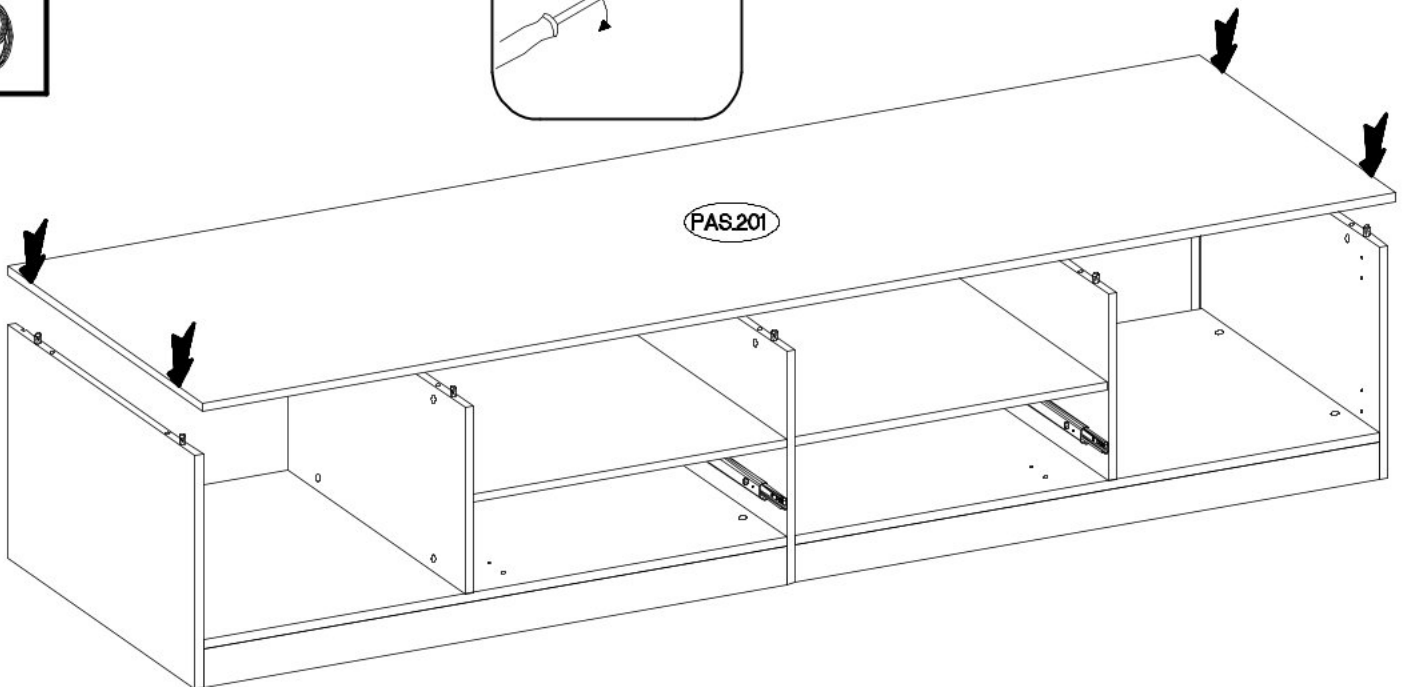


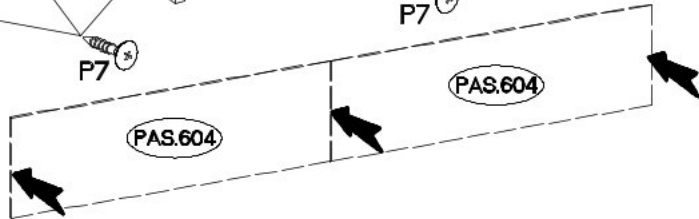
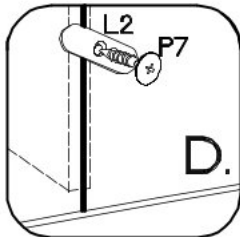
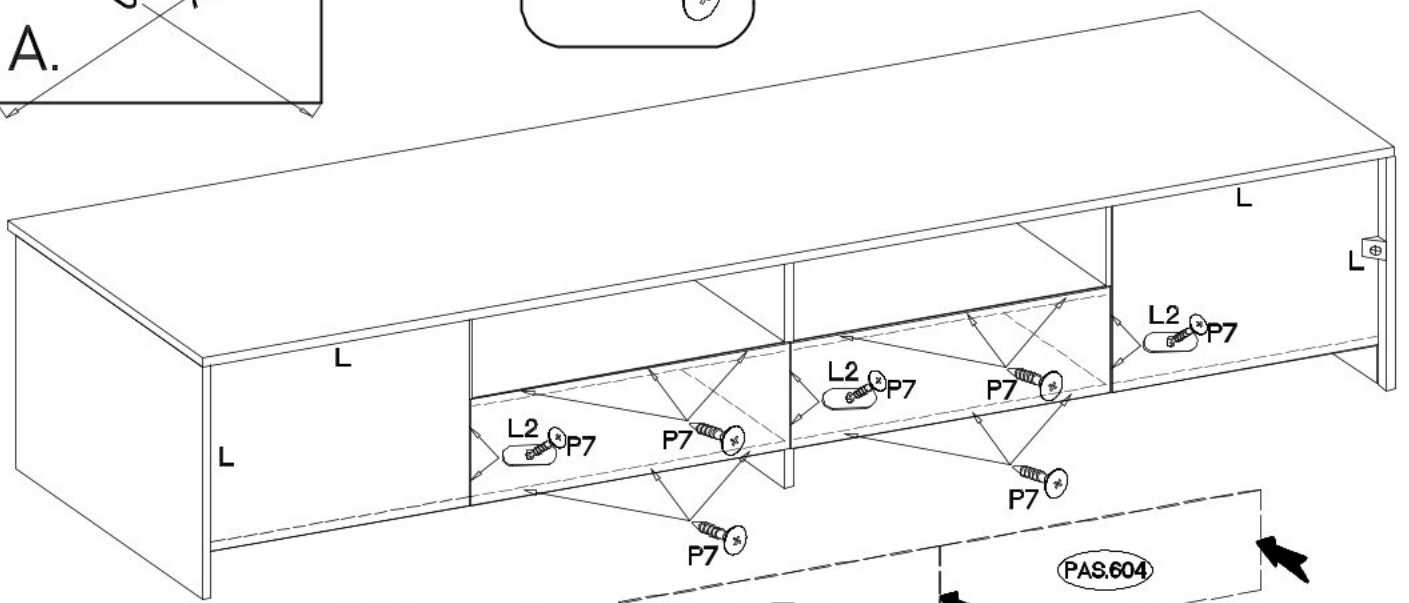
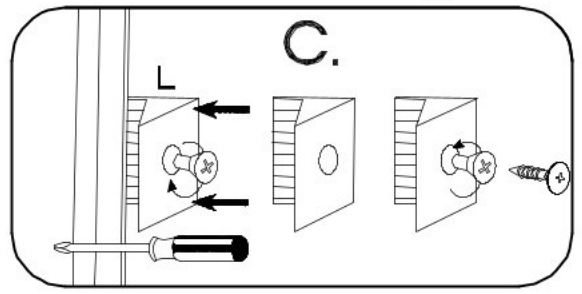
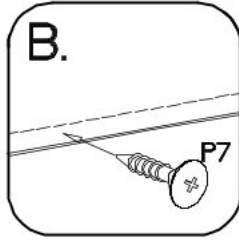
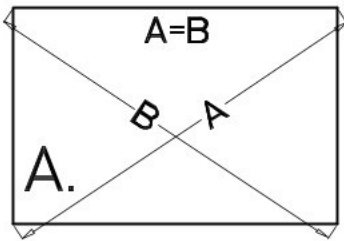
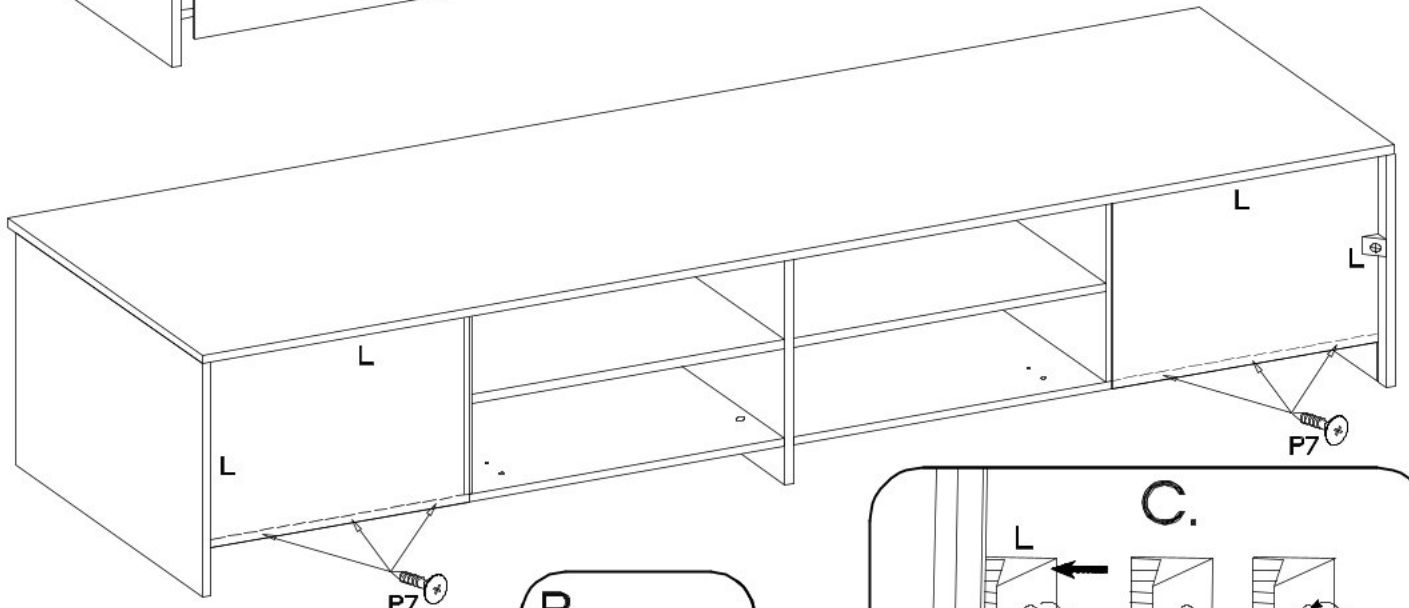
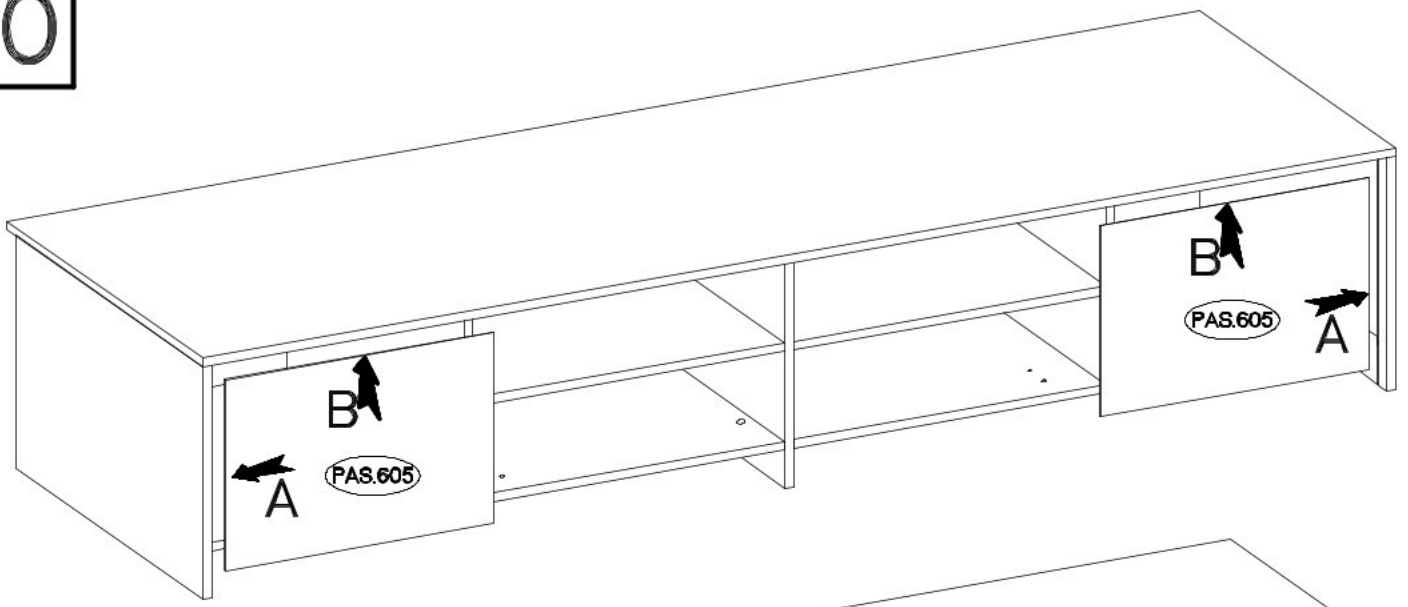
8

#4.0x16mm
P1
1



9





L	L2	P7
4	6	24

∅3.0x20mm

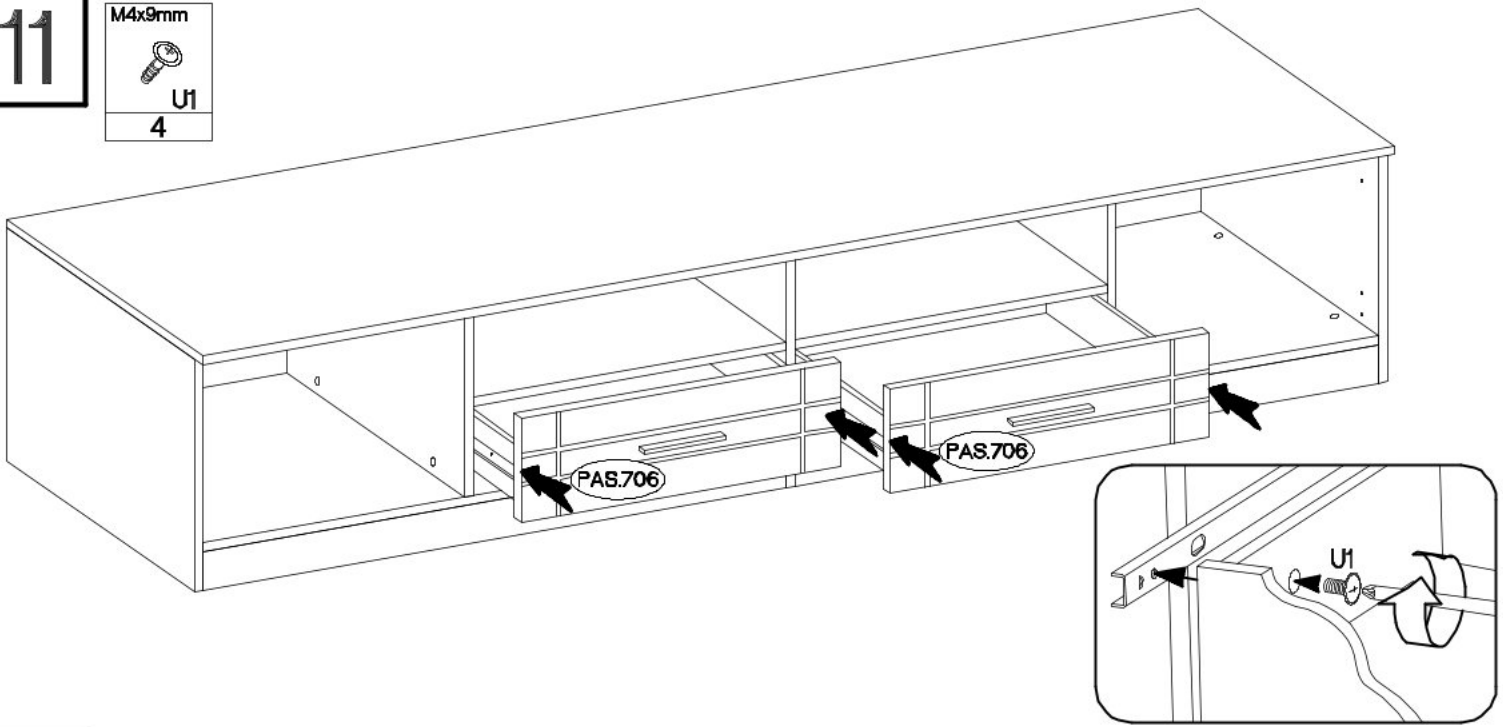
11

M4x9mm

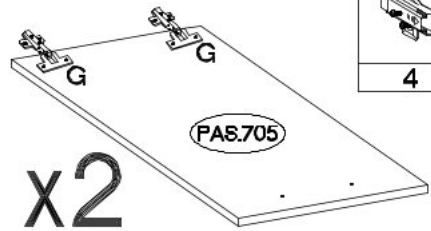
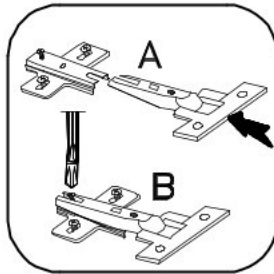
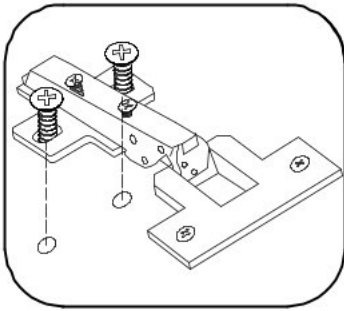


U1

4

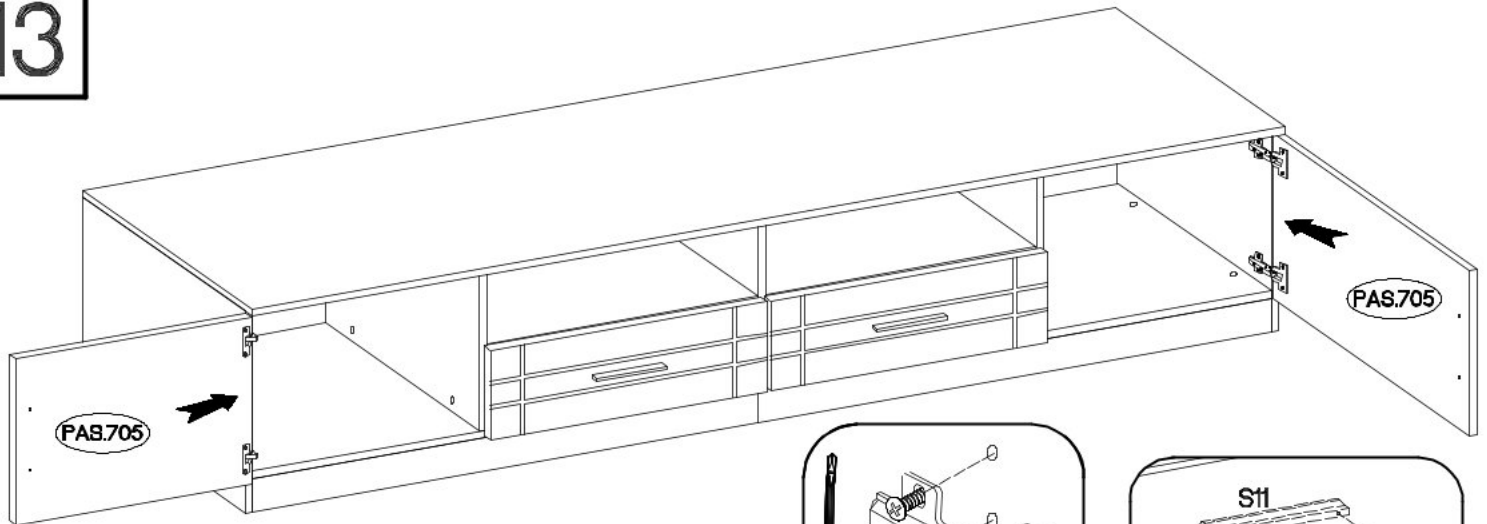


12

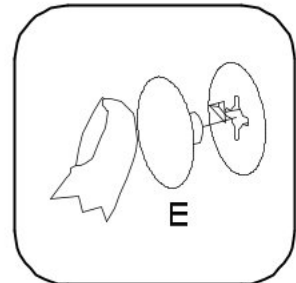
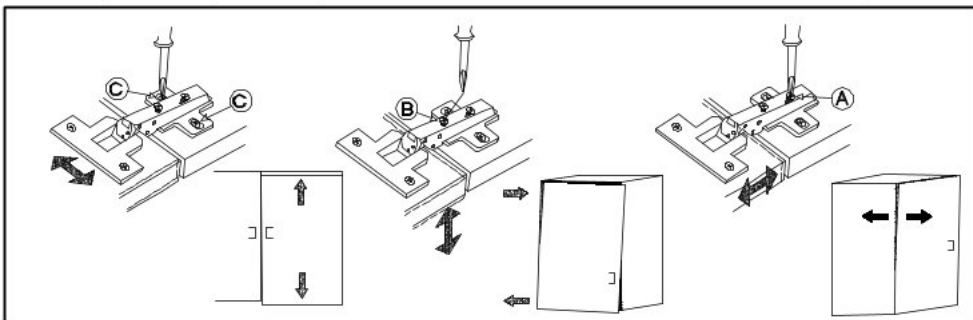
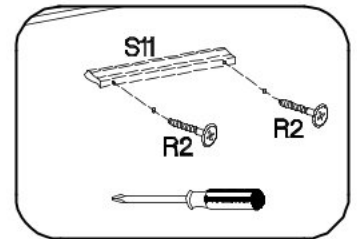
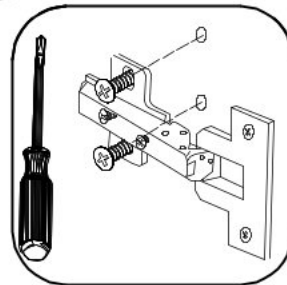


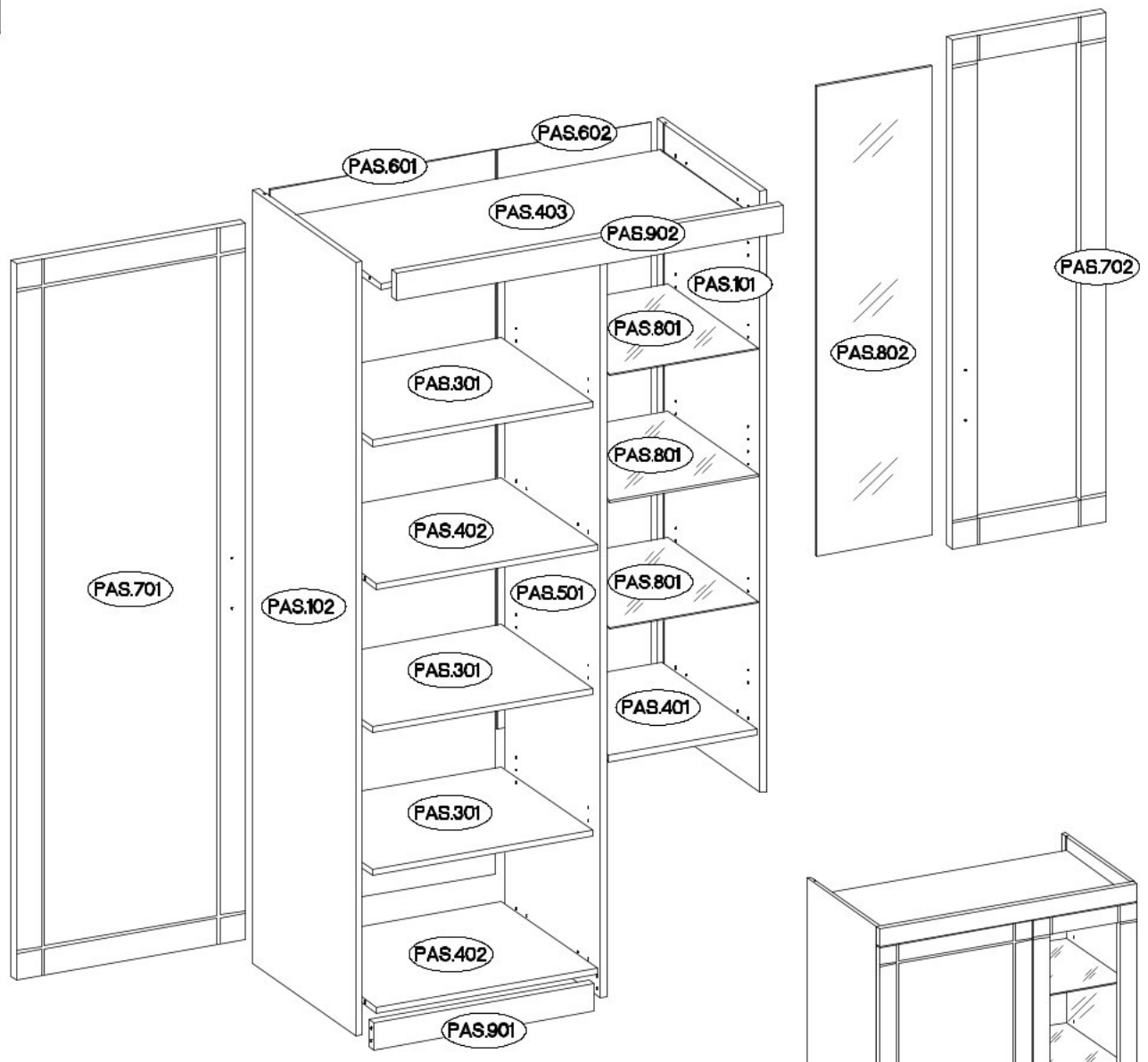
H-0	+3.5x13mm
4	8
	+3.5/0mm
	4

13

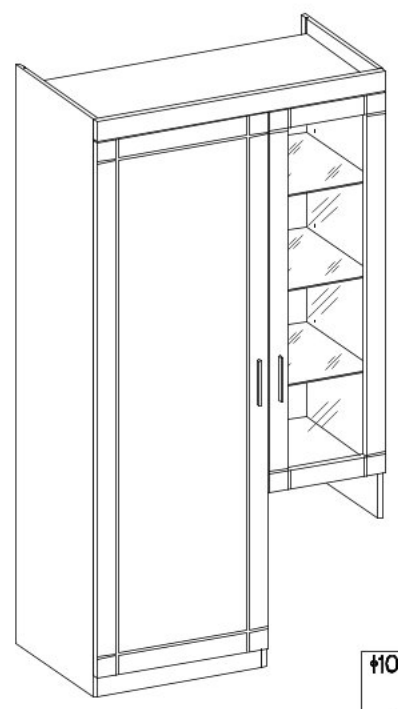


	+4.0x30mm	L=128mm
E		
18	4	2











PAS.301 = max. 5kg
 PAS.402
 PAS.401 PAS.801 = max. 5kg

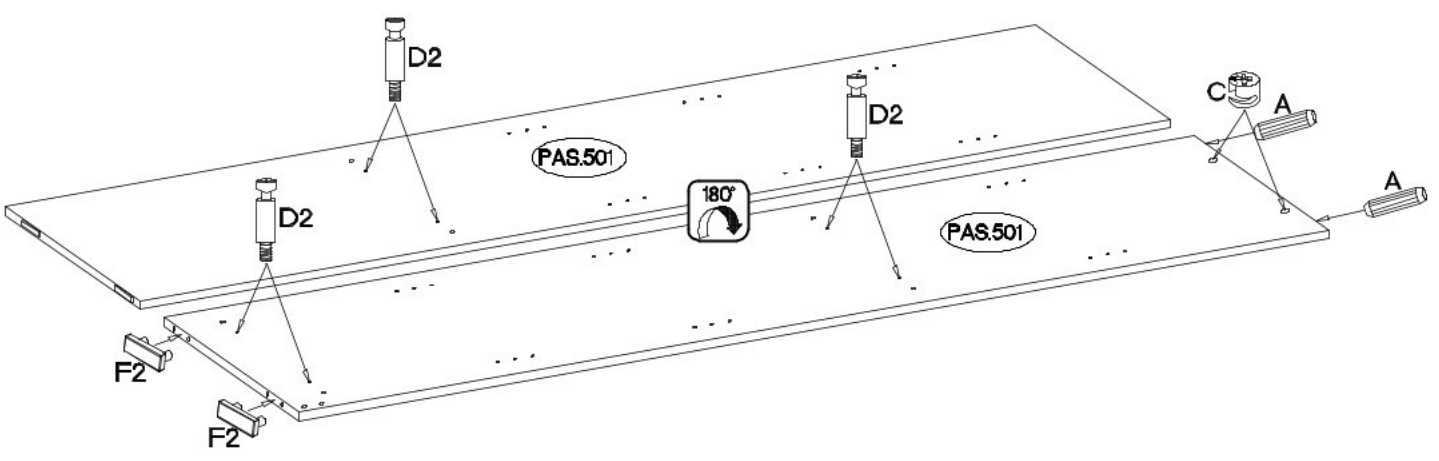
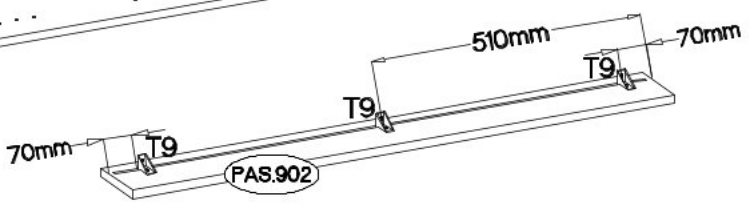
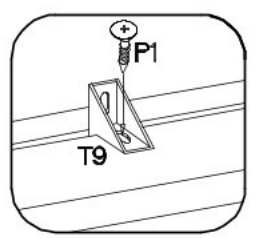
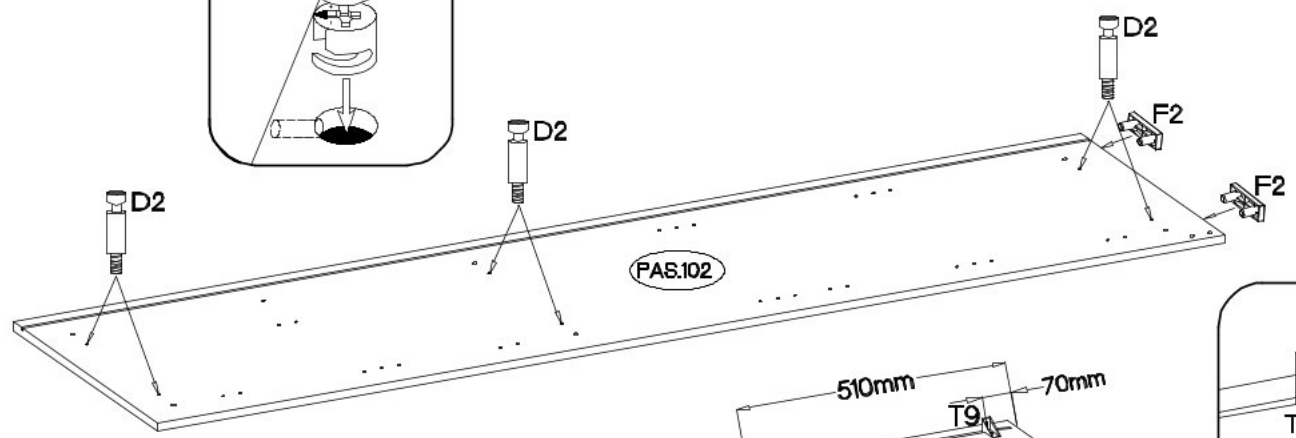
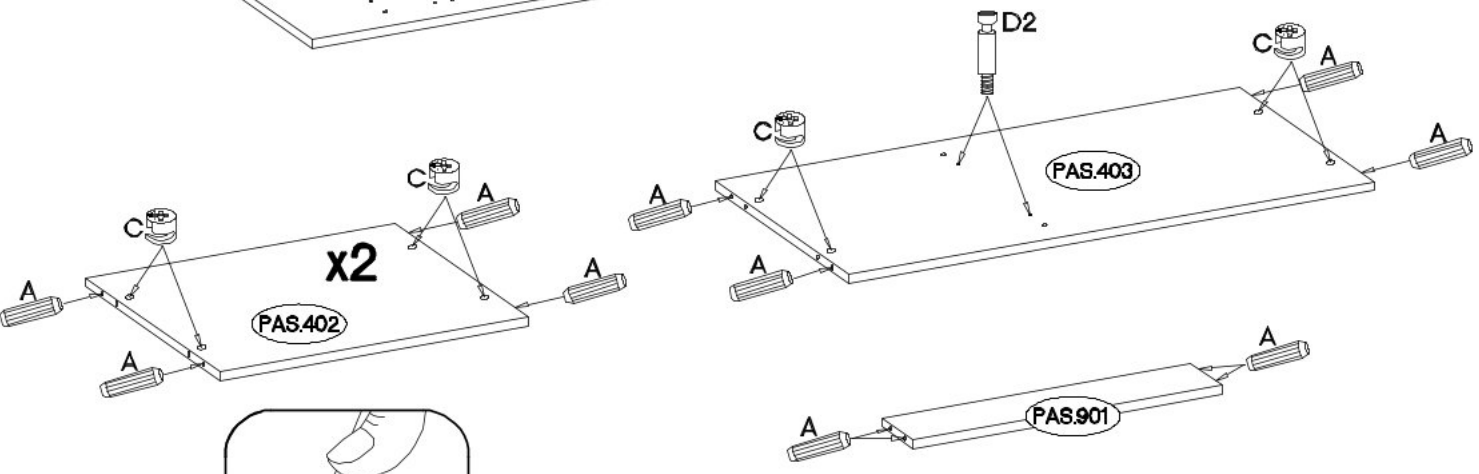
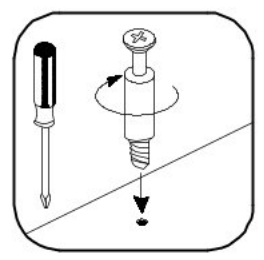
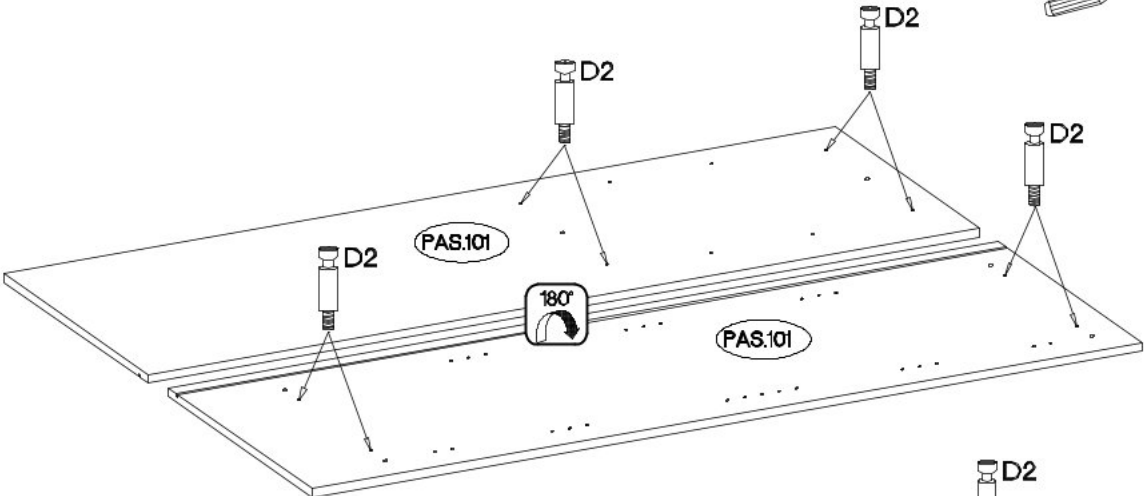
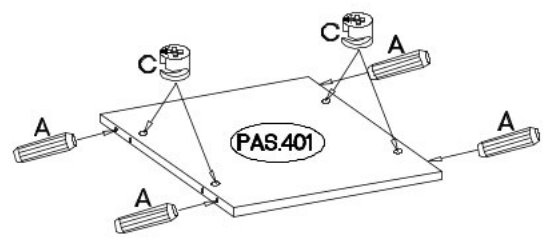


†10x50mm

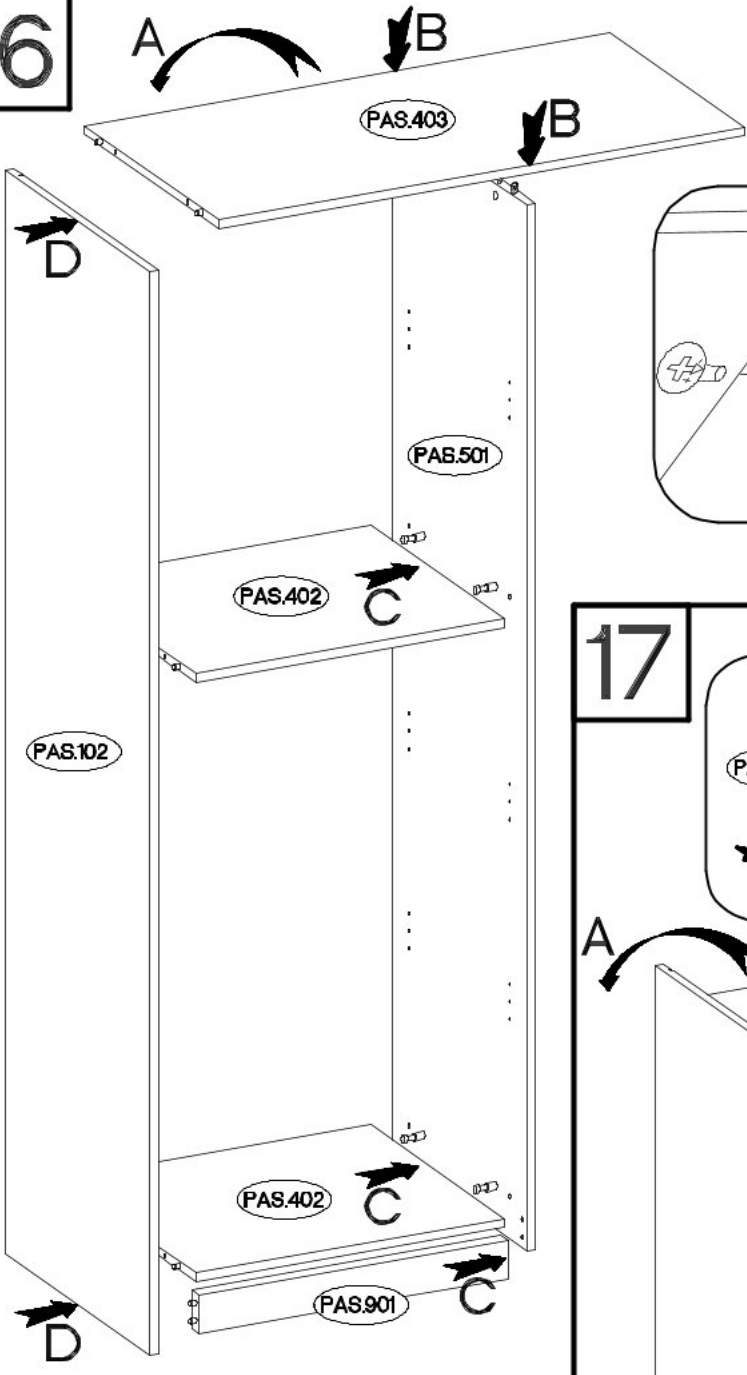
 O7
 1

†4.0x25mm R 2	 L19 1	†5.0x60mm P12 1	 J8 10	†5/16mm J12 12	 J3 12	6.5x48x16 F2 4	†4.0x16mm P1 6	 T9 3	 L2 8	†3.0x20mm P7 37
2B : C 18	†15/12mm A 22	†8x30mm D2 22	L=20mm E 18	†35/0mm G 7	H=0 H 7	L=128mm S11 2	†3.5x13mm P5 16	†4.0x30mm R2 4	 L 9	

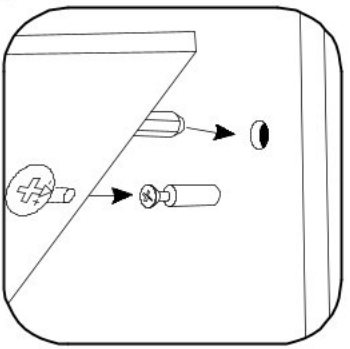
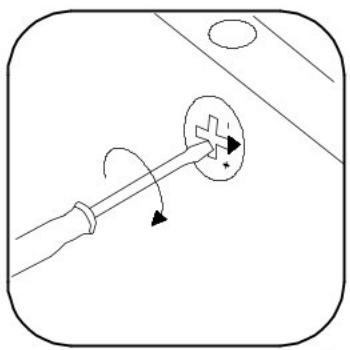
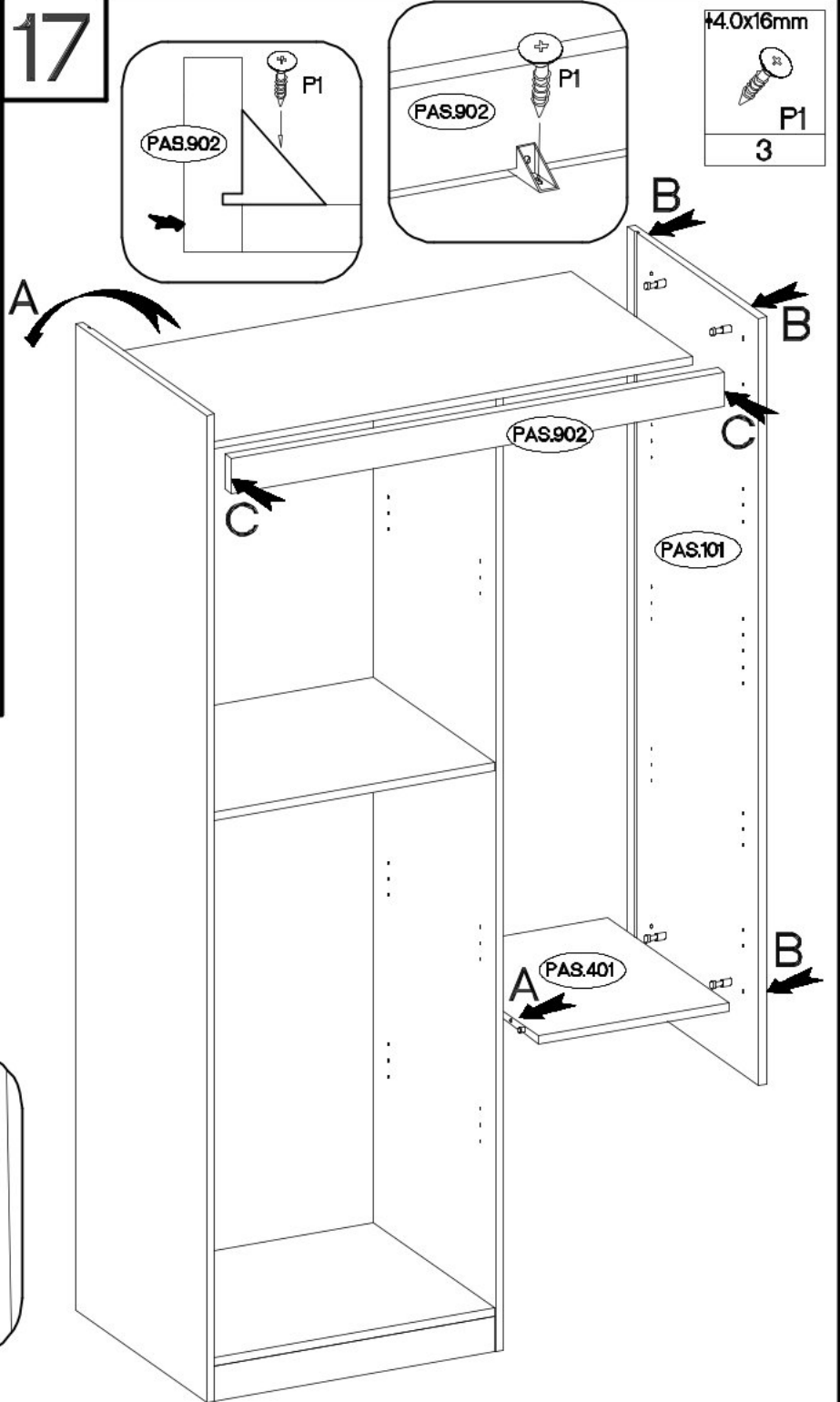
 ‡15/12mm C 18	 ‡8x30mm A 22	 L=20mm D2 22	 T9 3	 ‡4.0x16mm P1 3	 6.5x48x16 F2 4
--	---	---	---	---	---



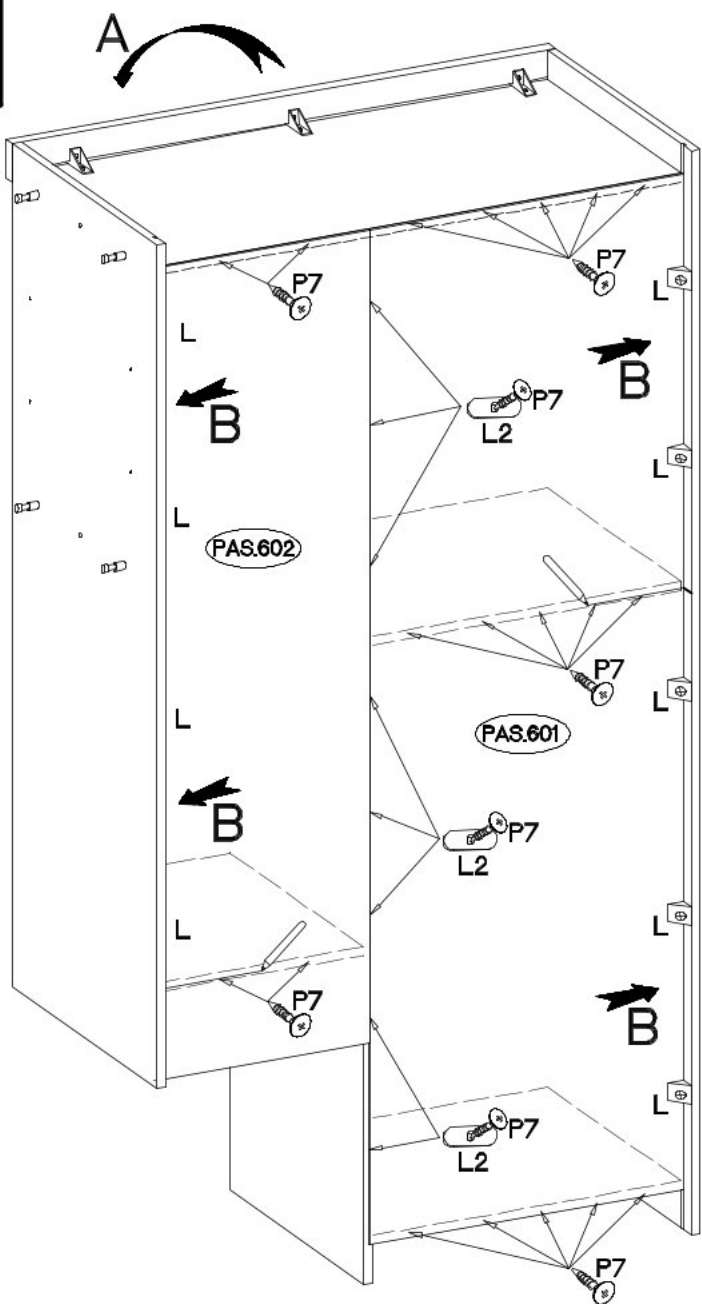
16



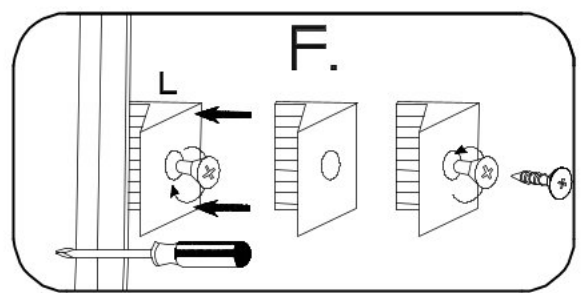
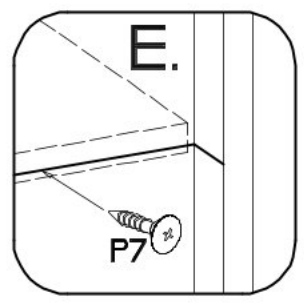
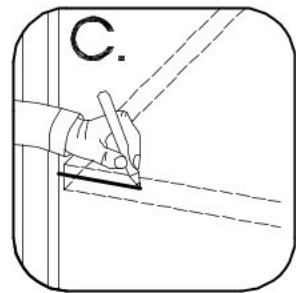
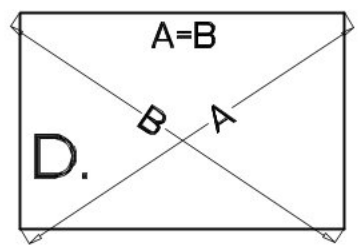
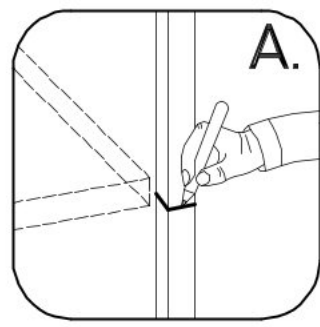
17



18



	$\pm 3.0 \times 20 \text{mm}$		
L2		P7	L
8		27	9

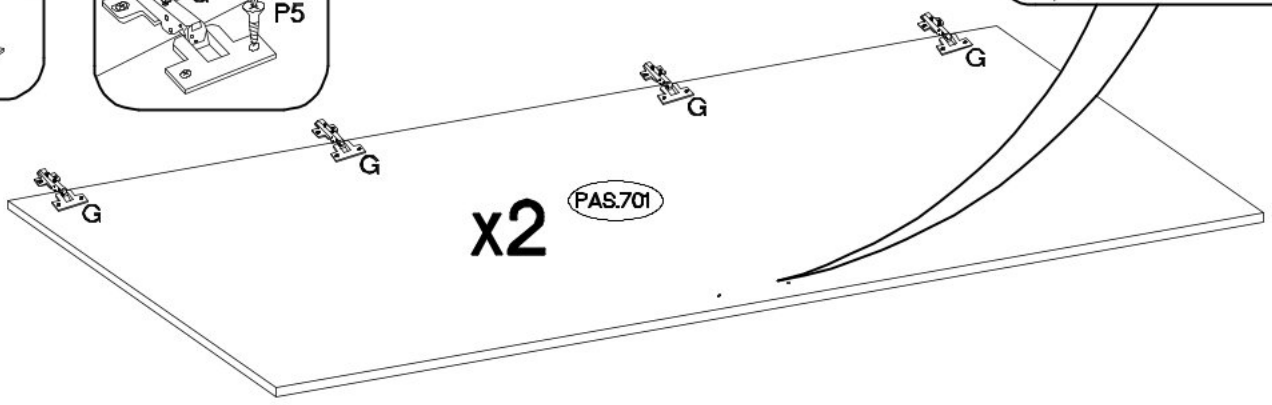
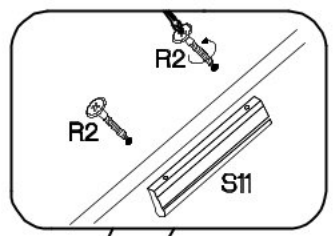
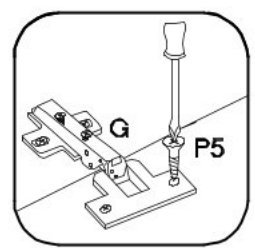
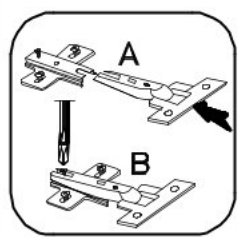


19




$\pm 35/0 \text{mm}$	H=0	$\pm 3.5 \times 13 \text{mm}$	$\pm 4.0 \times 30 \text{mm}$	L=128mm
G	H	P5	R2	S1
4	4	8	4	2

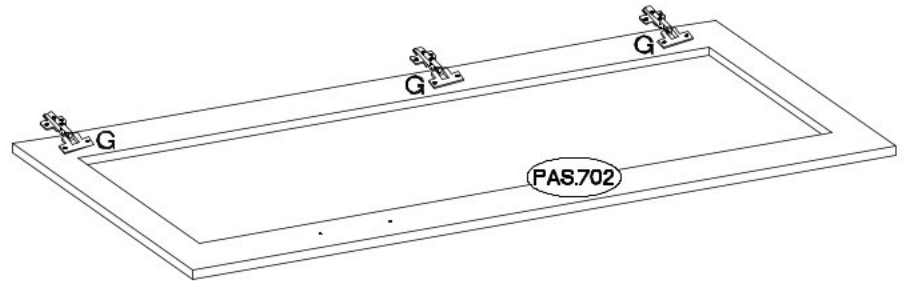
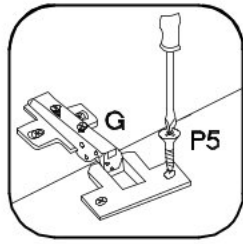
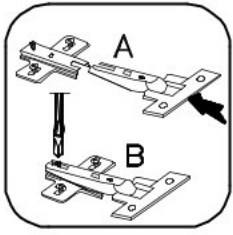
Typ 131 x1

Typ 135 x1





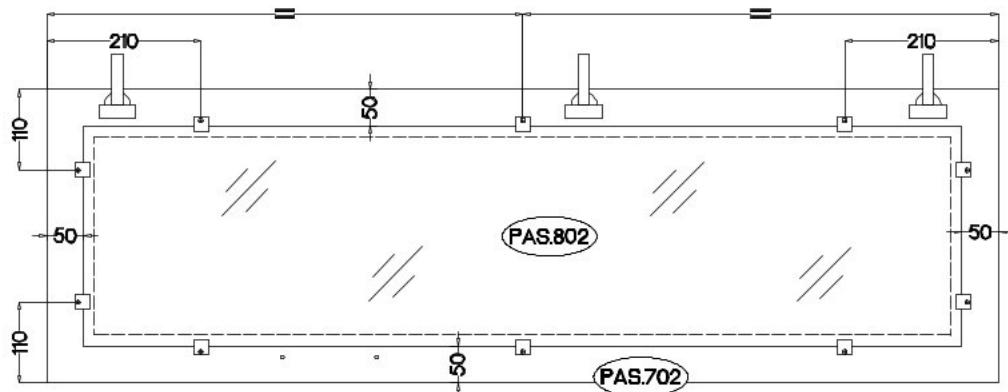
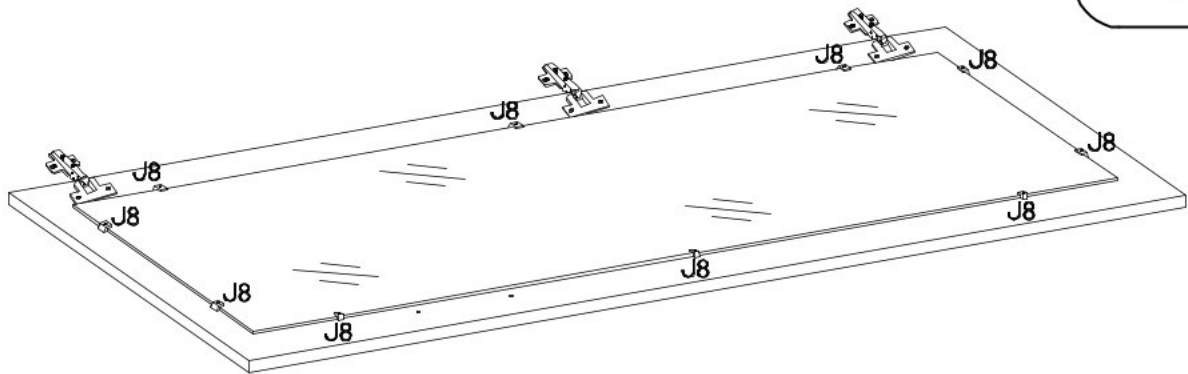
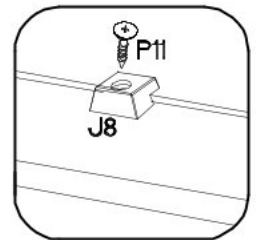
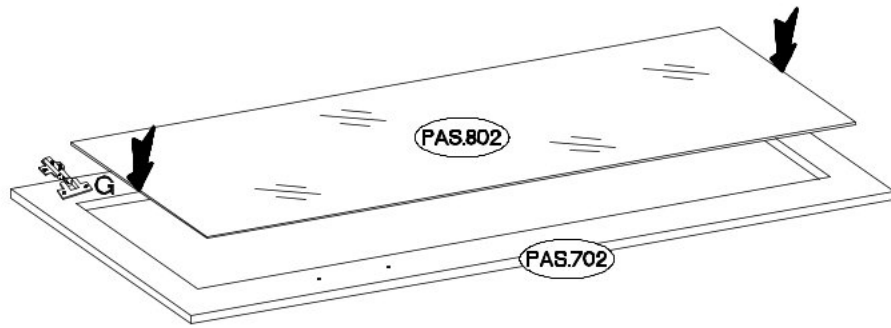
20


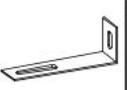




±35/0mm  G 3	H=0  H 3	±3.5x13mm  P5 6
---	---	--

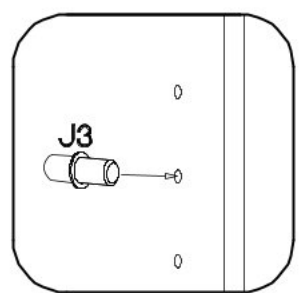
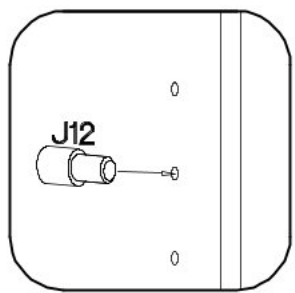
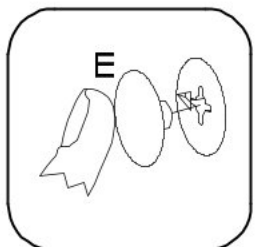
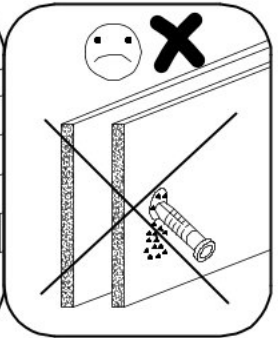
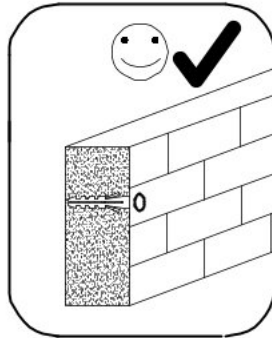
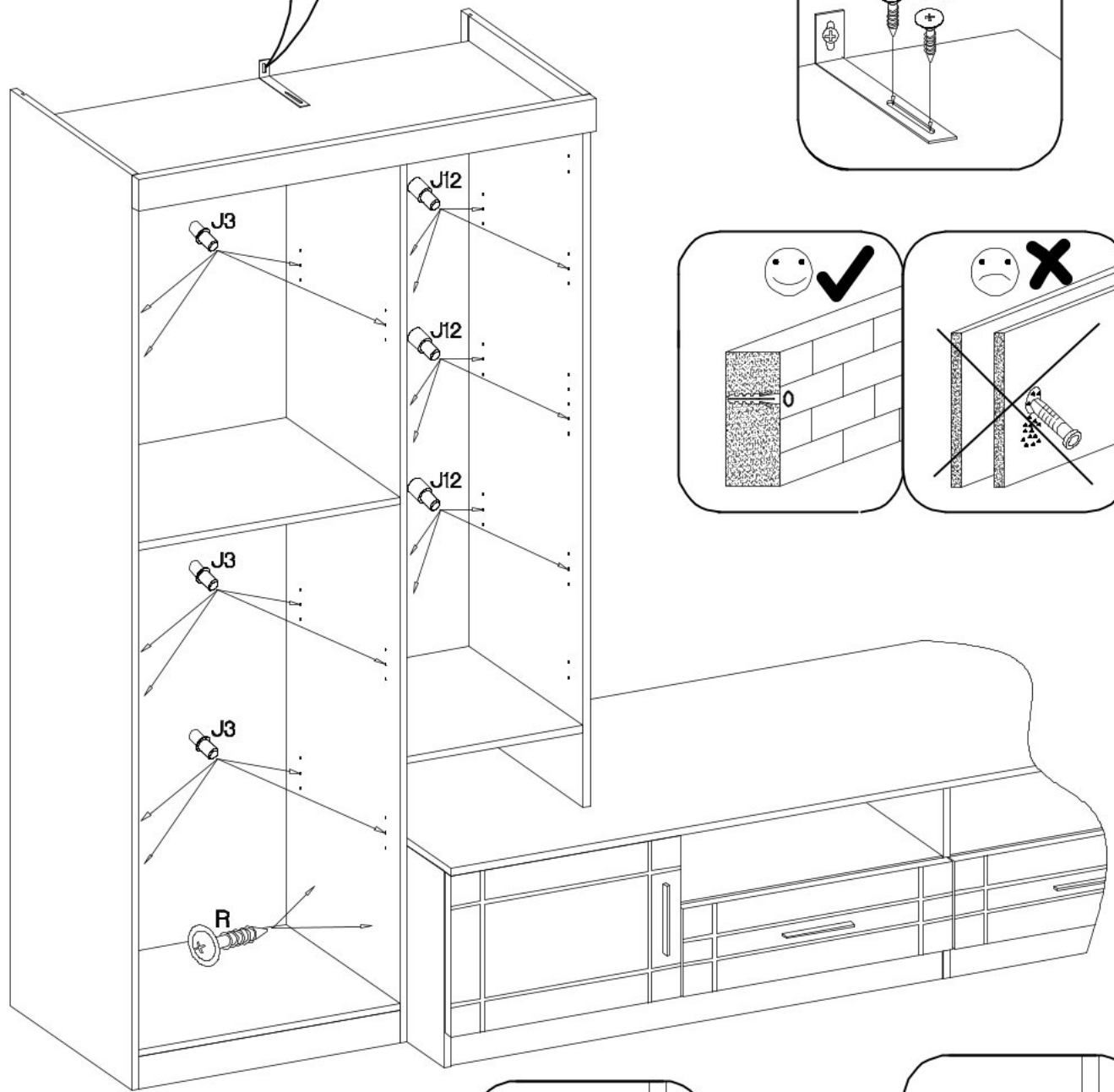
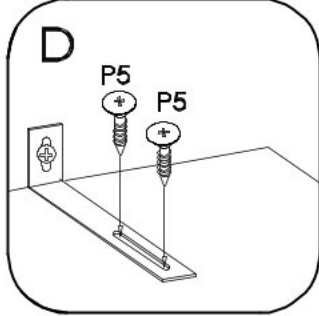
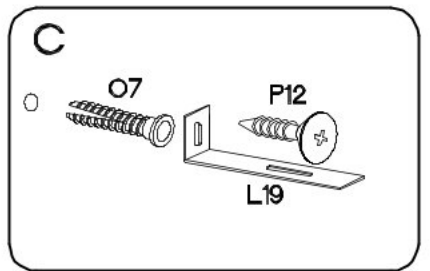
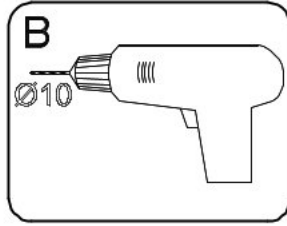
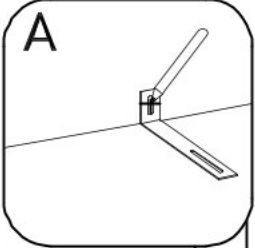
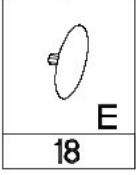


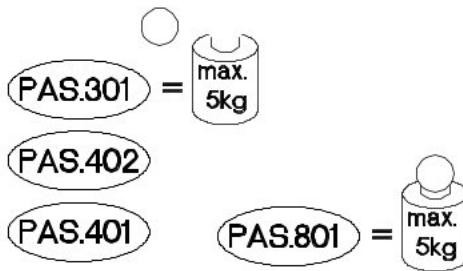
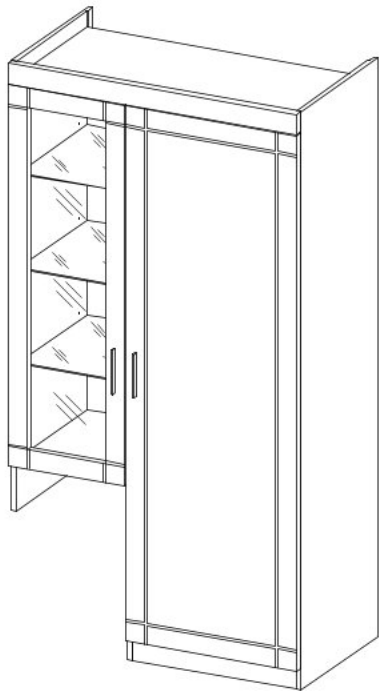
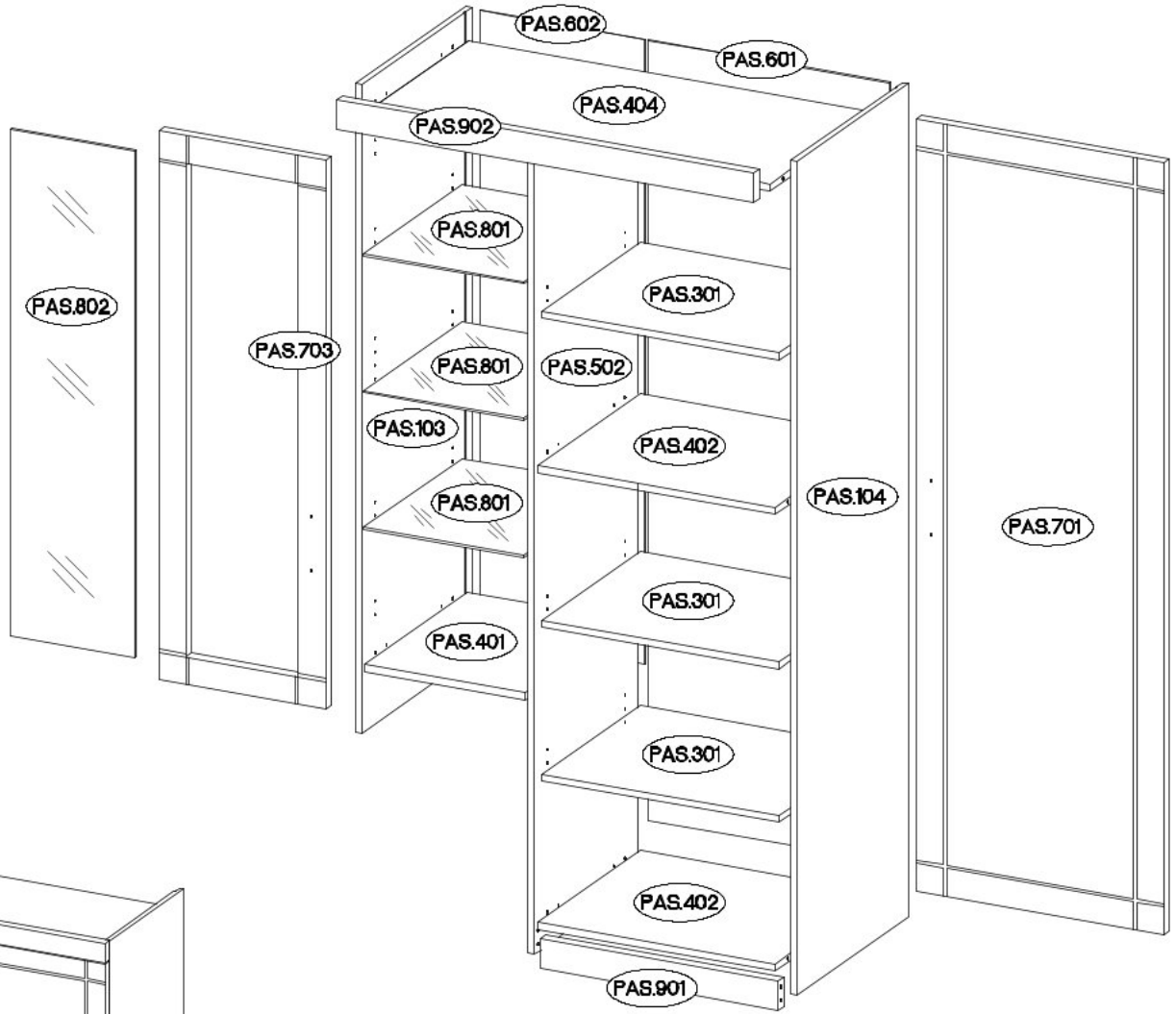
21



 J8 10	±3.0x20mm  P7 10
---	--




















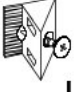


±3.5x13mm	±5.0x60mm	±10x50mm	±4.0x25mm	±5/16mm	
					
P5	L19	P12	O7	R	J12
2	1	1	1	2	12









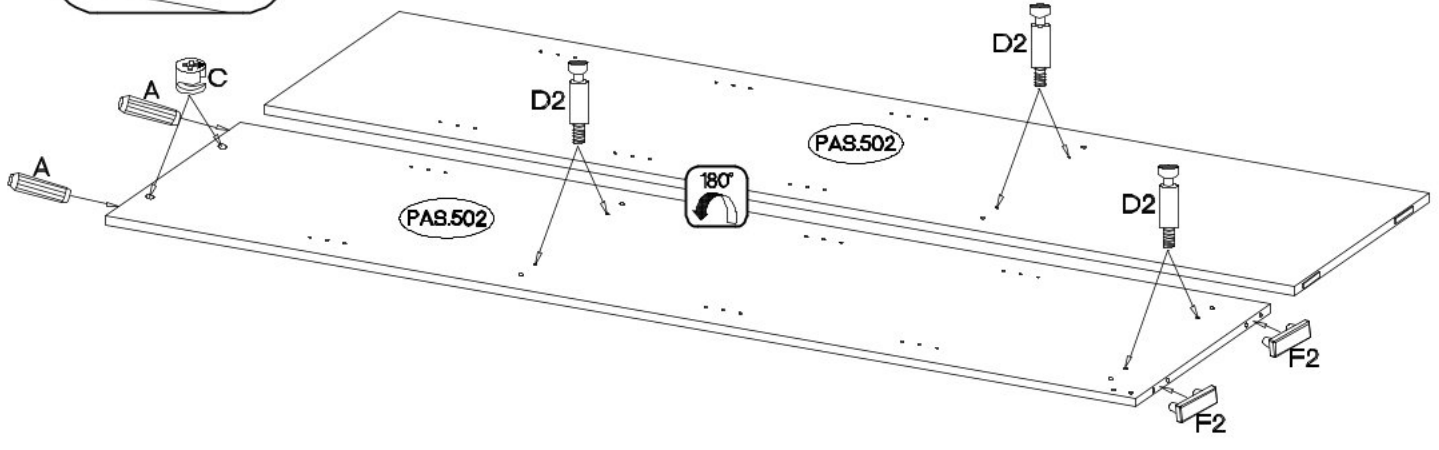
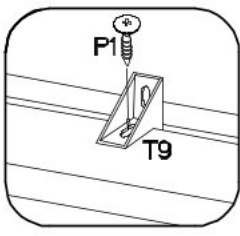
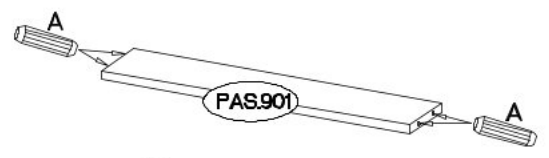
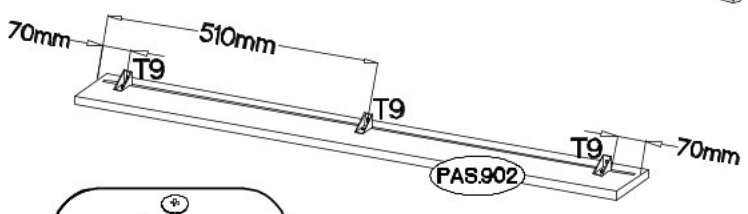
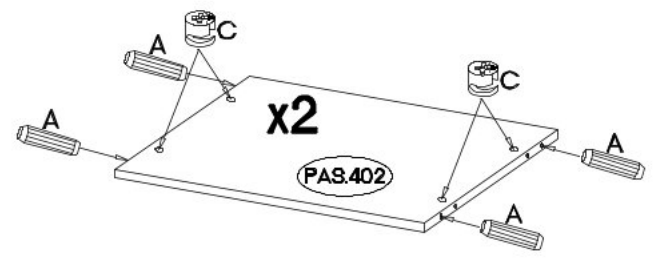
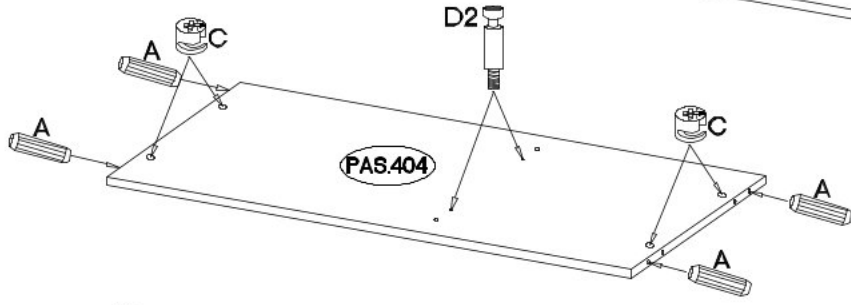
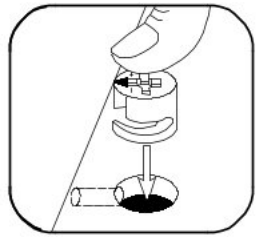
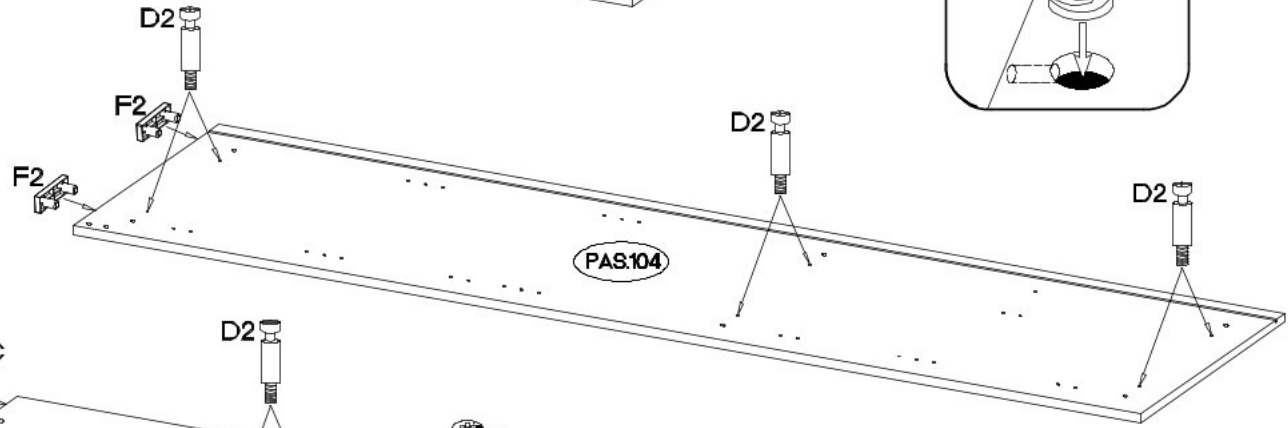
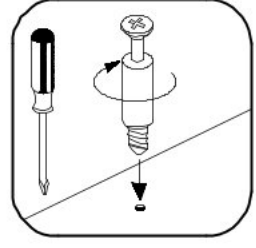
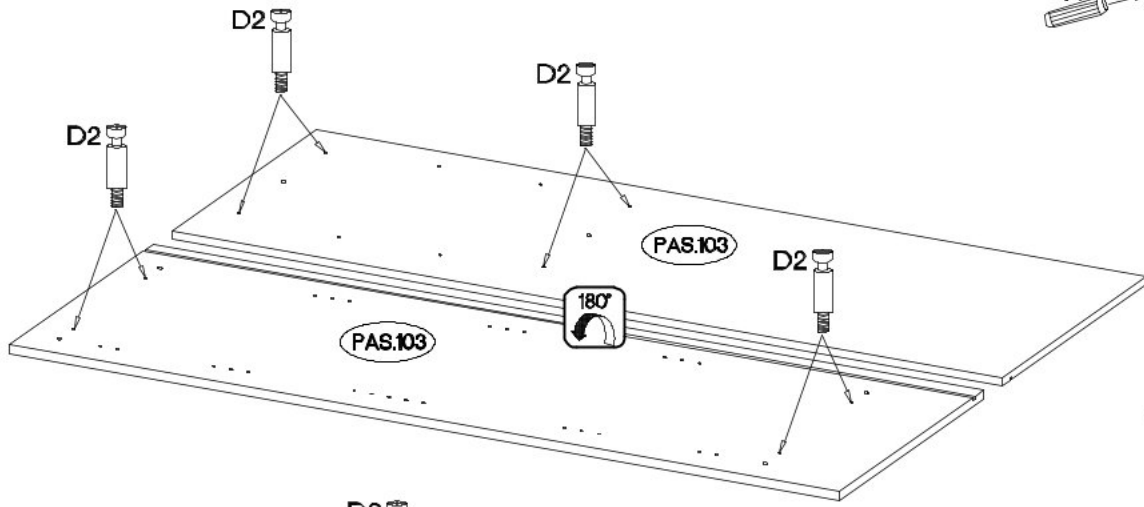
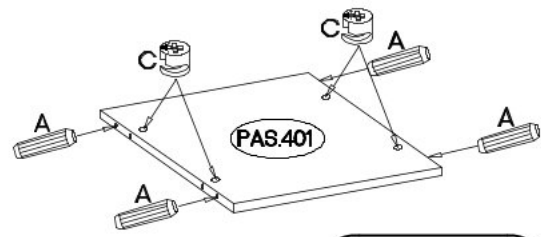


 $\pm 4.0 \times 25 \text{mm}$	 $\pm 10 \times 50 \text{mm}$
R	O7
2	1

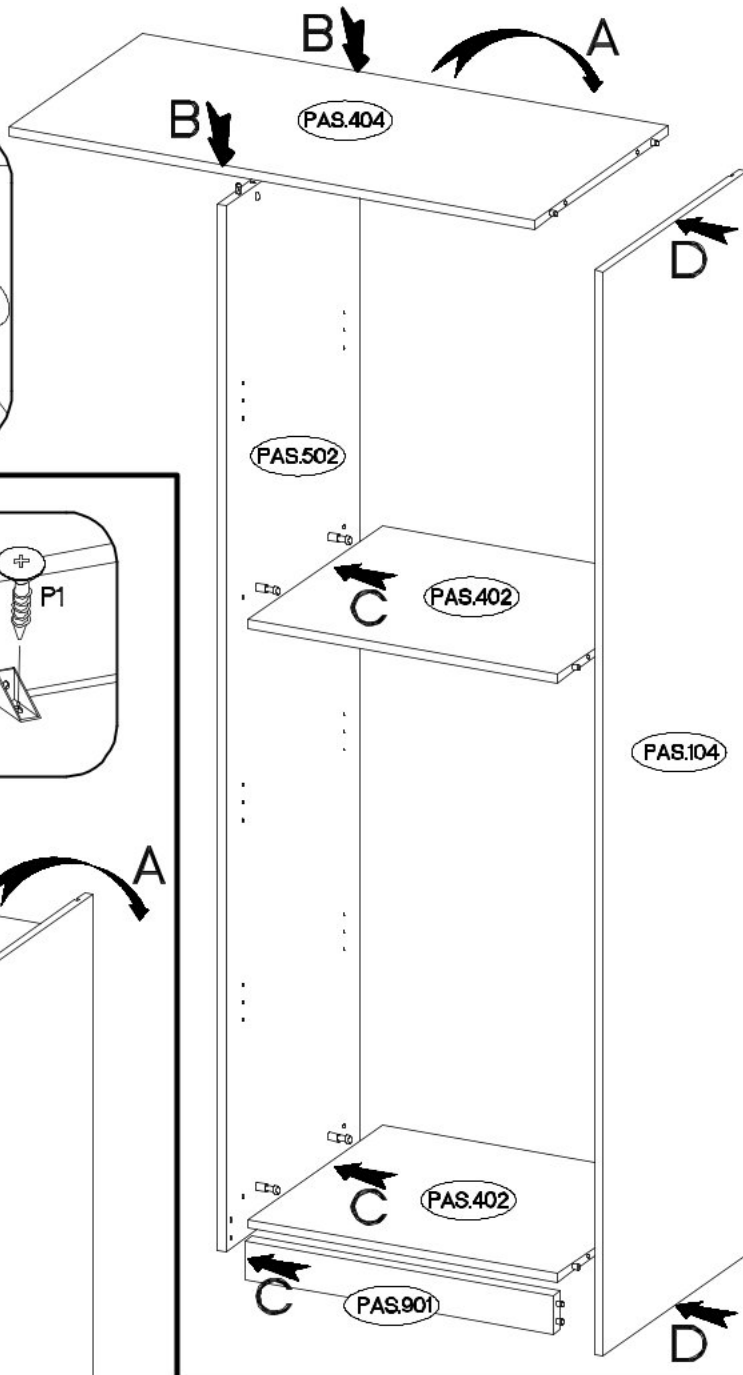
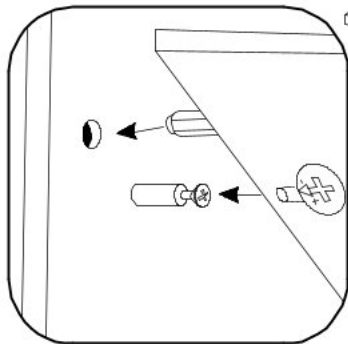
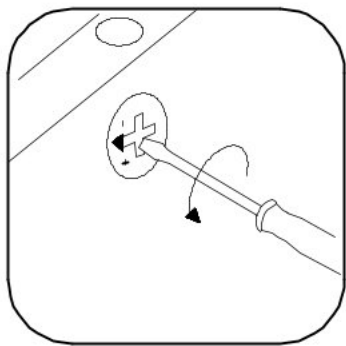
 L19	 $\pm 5.0 \times 60 \text{mm}$ P12	 J8	 $\pm 5/16 \text{mm}$ J12	 J3	 $6.5 \times 48 \times 16$ F2	 $\pm 4.0 \times 16 \text{mm}$ P1	 T9	 L2	 $\pm 3.0 \times 20 \text{mm}$ P7
1	1	10	12	12	4	6	3	8	37
 $\pm 15/12 \text{mm}$ C	 $\pm 8 \times 30 \text{mm}$ A	 L=20mm D2	 E	 $\pm 35/0 \text{mm}$ G	 H=0 H	 L=128mm S11	 $\pm 3.5 \times 13 \text{mm}$ P5	 $\pm 4.0 \times 30 \text{mm}$ R2	 L
18	22	22	18	7	7	2	16	4	9



 18	 22	 22	 3	 3	 4
---	---	---	--	--	--

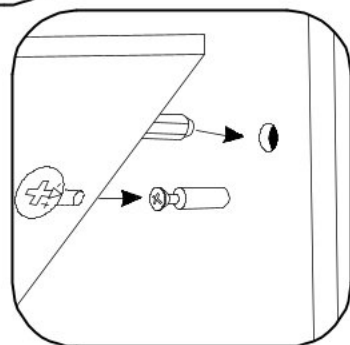
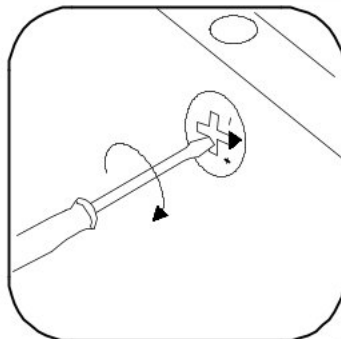
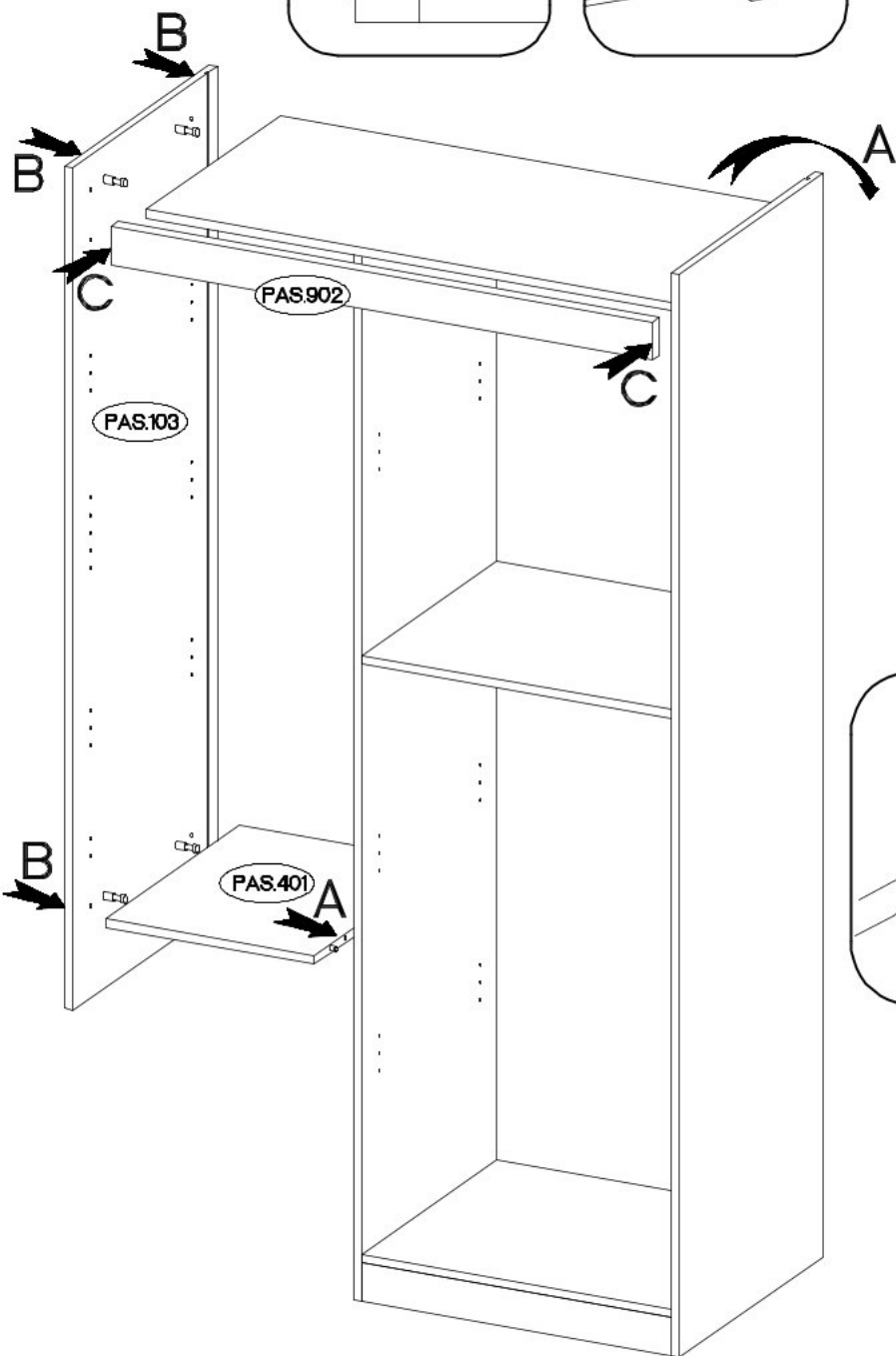
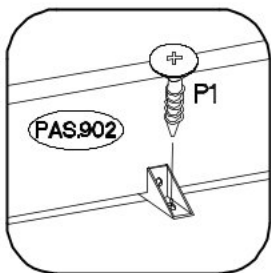
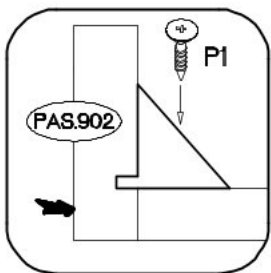
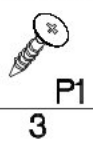


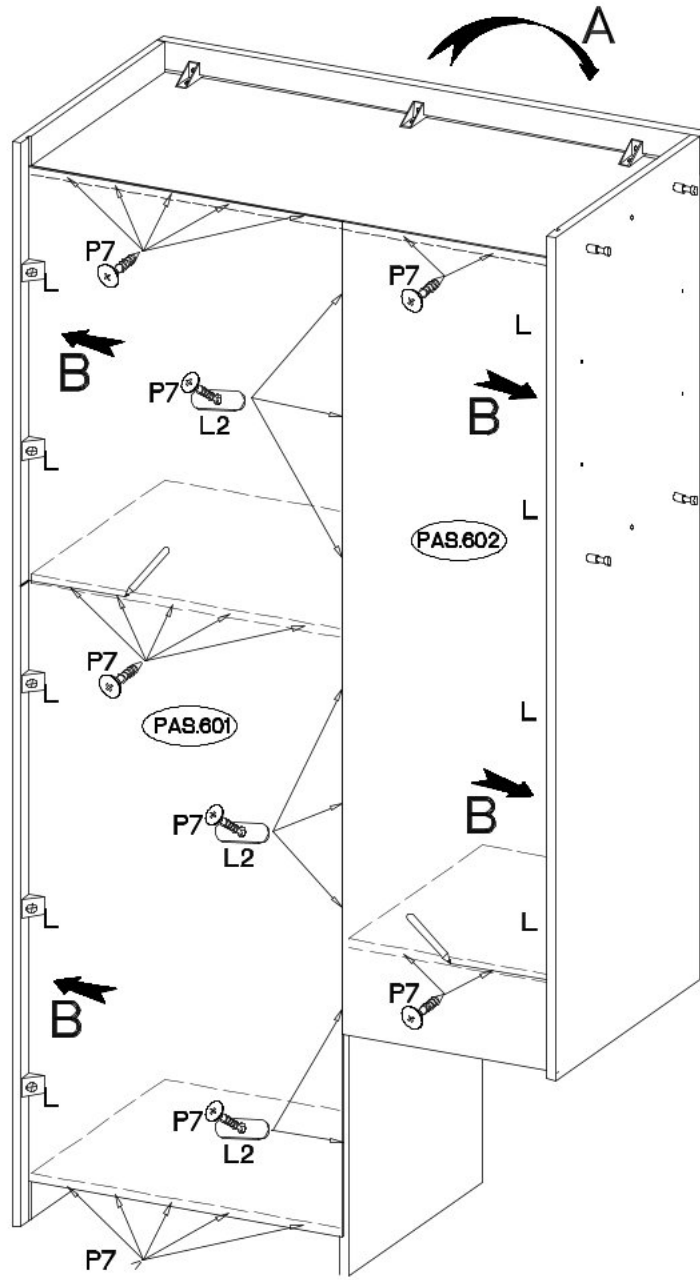
25


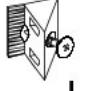



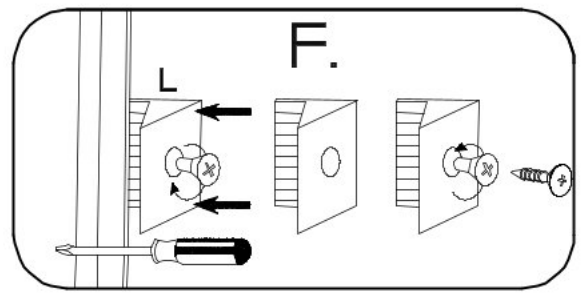
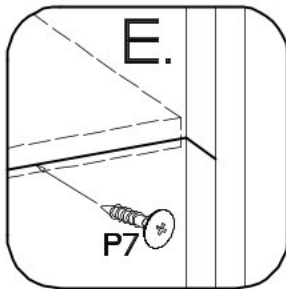
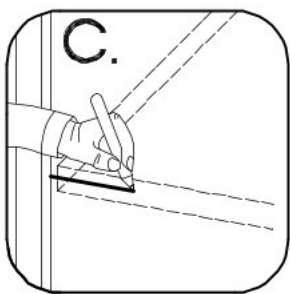
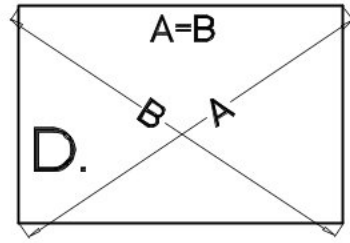
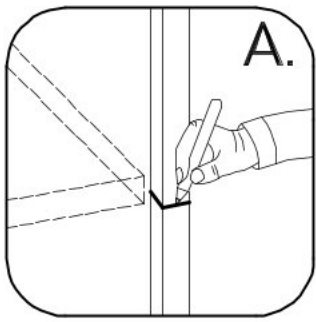
26

4.0x16mm

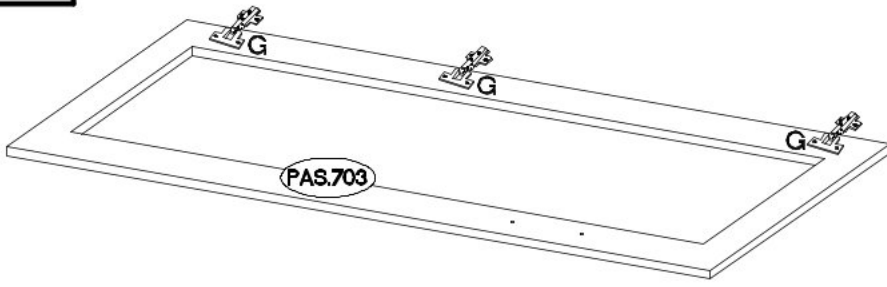







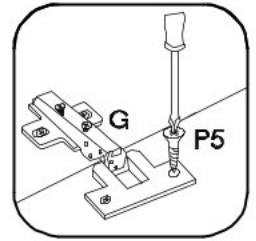
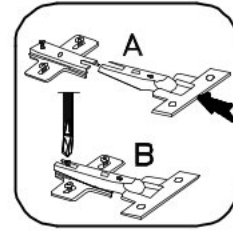
 P7 27	 L 9
	 L2 8



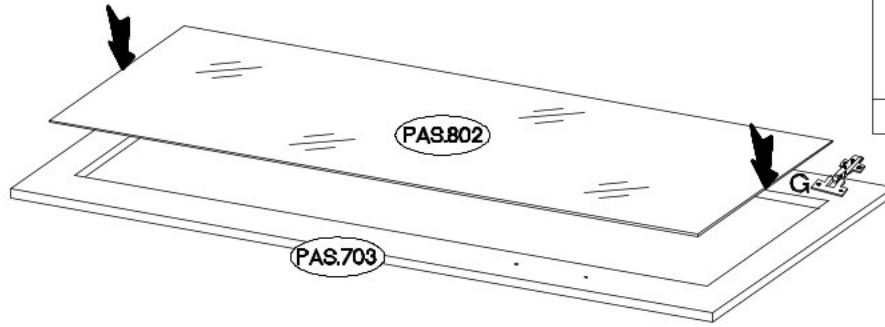
28





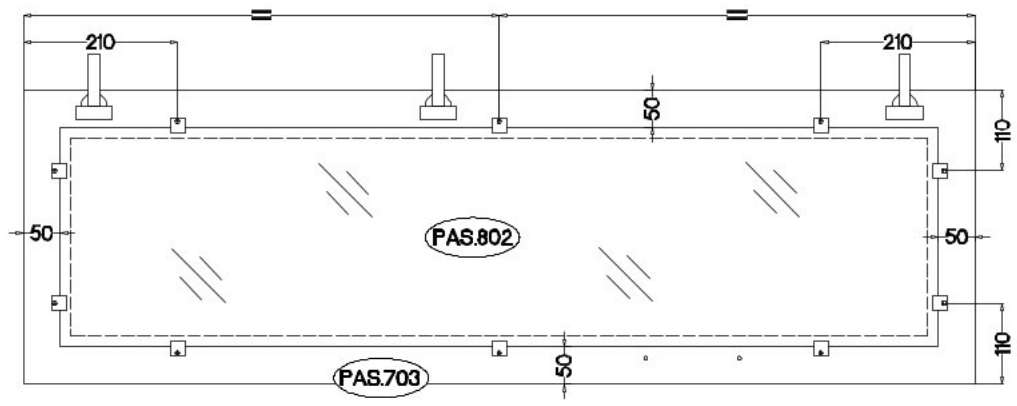
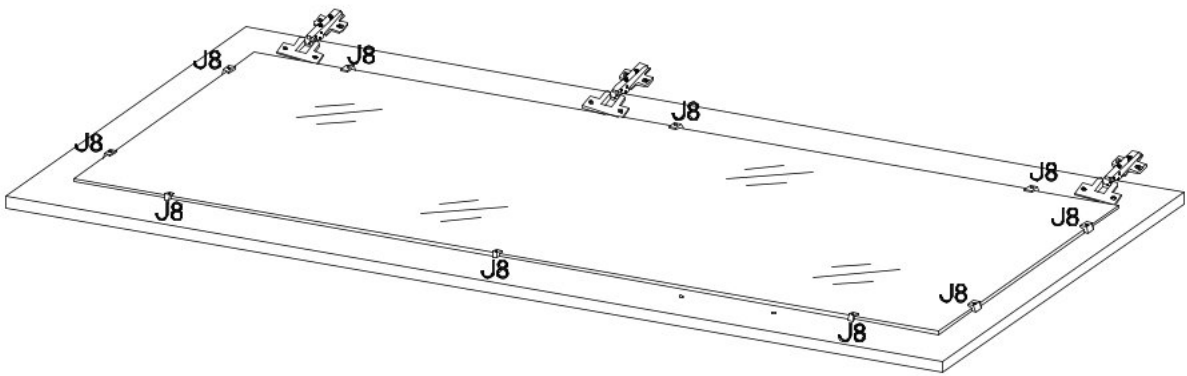
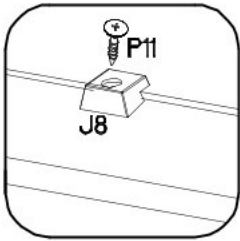
±35/0mm  G 3	H=0  H 3	±3.5x13mm  P5 6
---	---	--

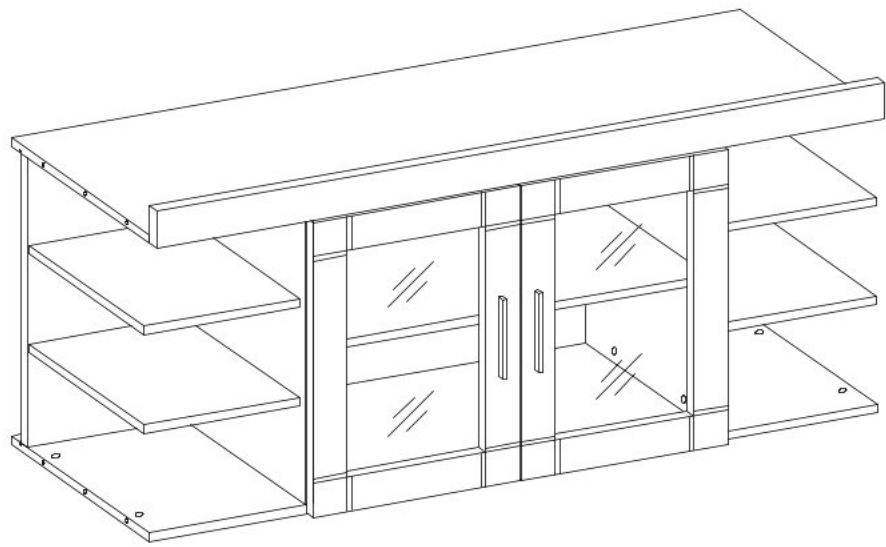


29

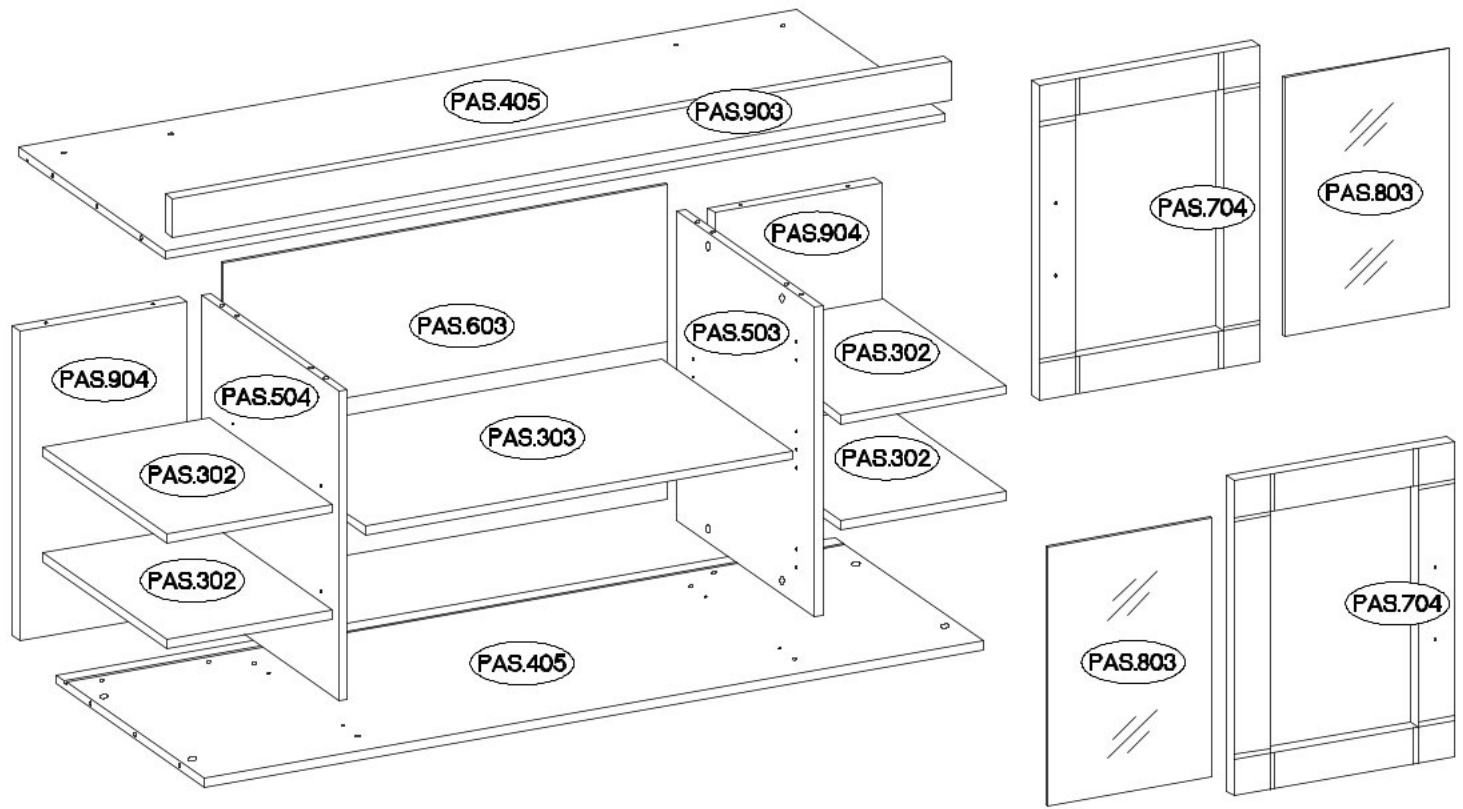















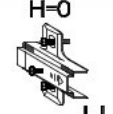




 J8 10	±3.0x20mm  P7 10
---	--










- PAS.302
- PAS.303 = max. 5kg
- PAS.405

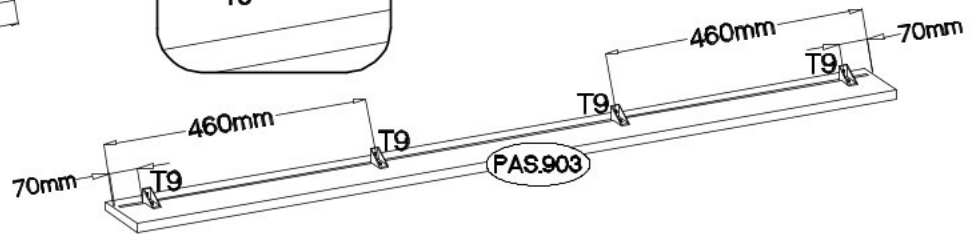
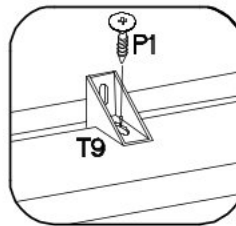
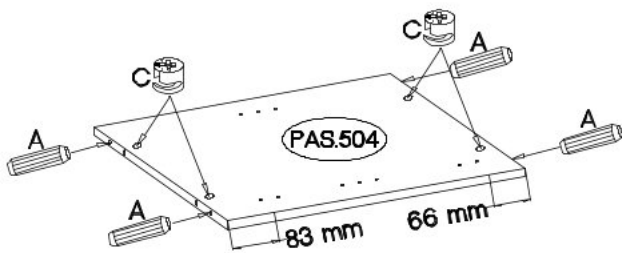
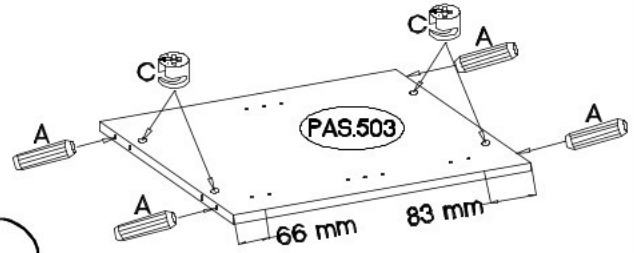
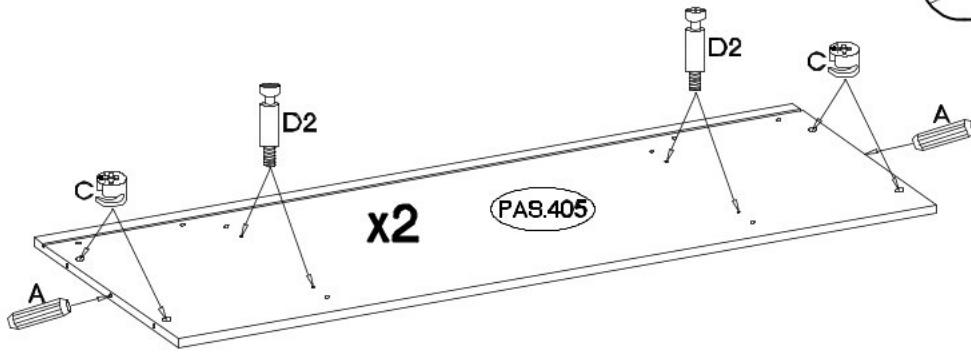
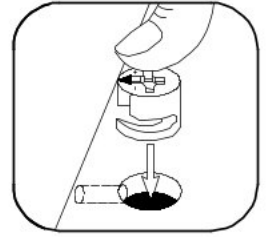
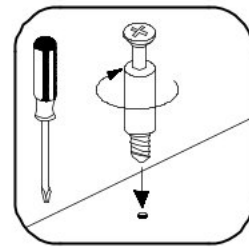


									
1	4	8	16	20	8	4	28		
									
16	12	8	16	4	4	2	8	4	6

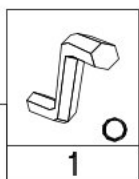
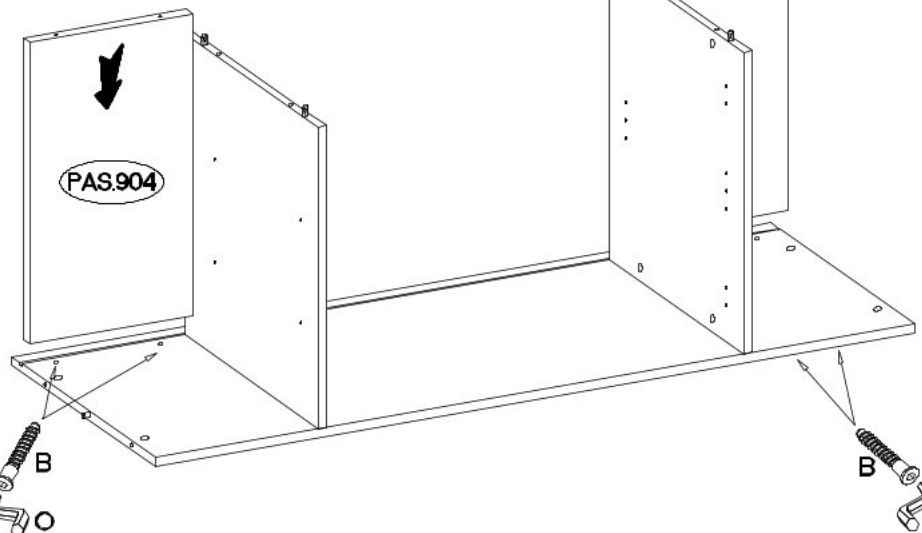
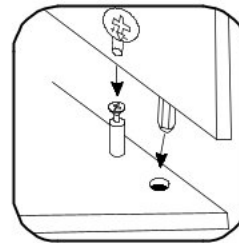
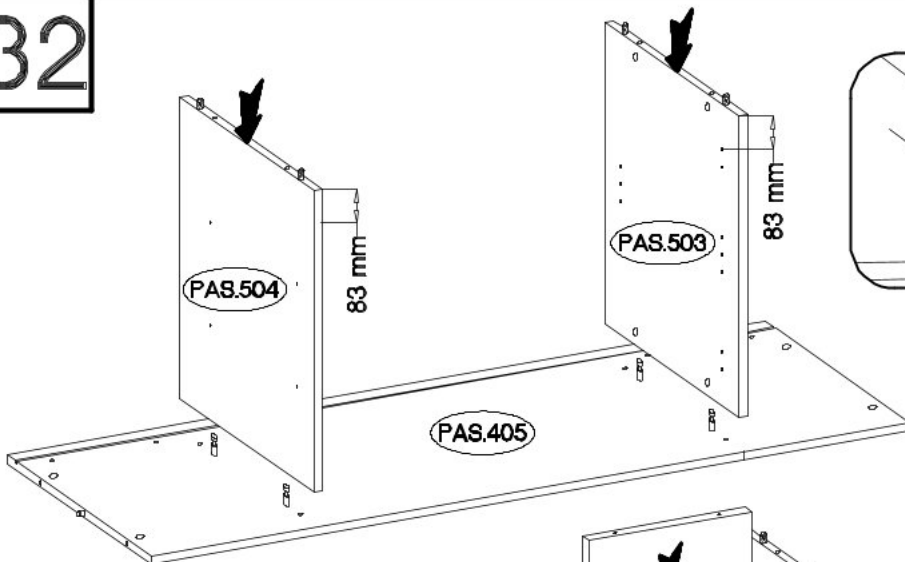
4B :



31

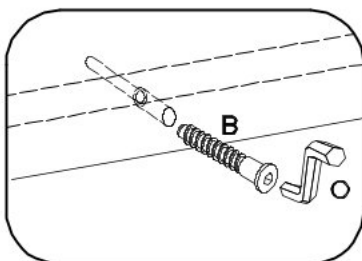
 ‡15/12mm C 16	 ‡8x30mm A 12	 L=20mm D2 8	 ‡4.0x16mm T9 4	 ‡4.0x16mm P1 4
---	--	---	--	--



32

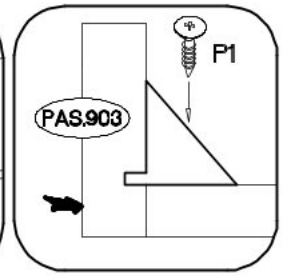
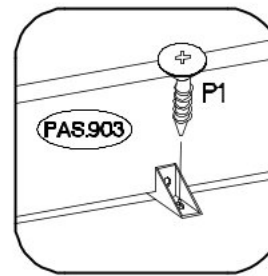
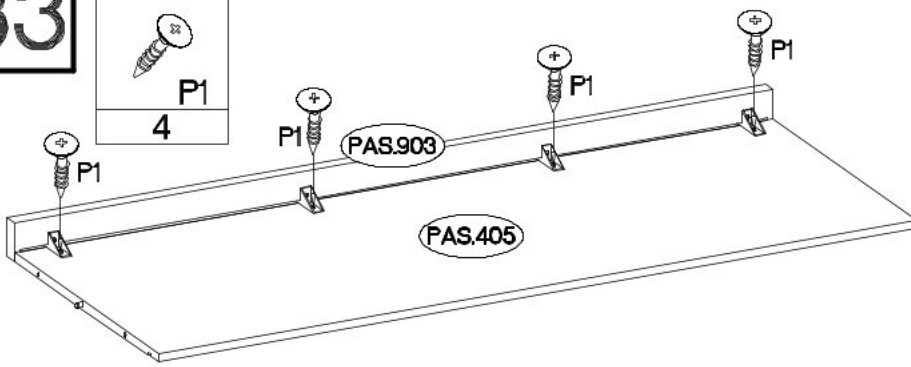


 E1 4 6,4 x 50mm	 B 4
---	---

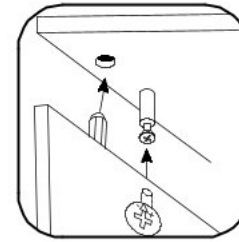
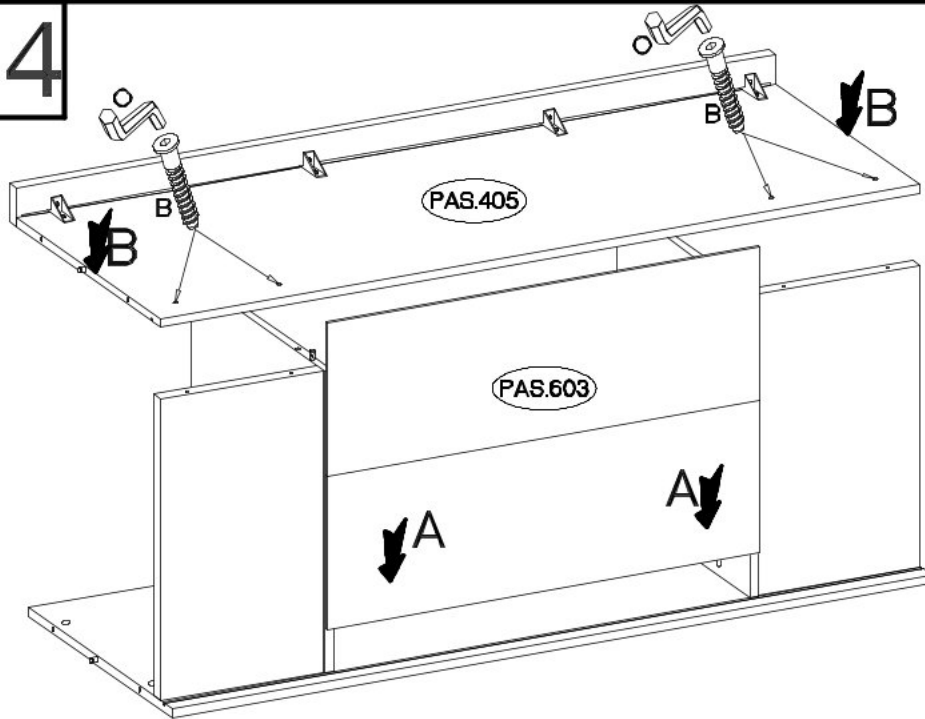


33

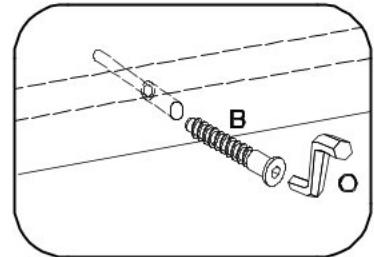
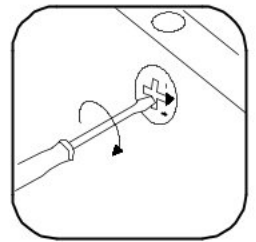
4.0x16mm
P1
4



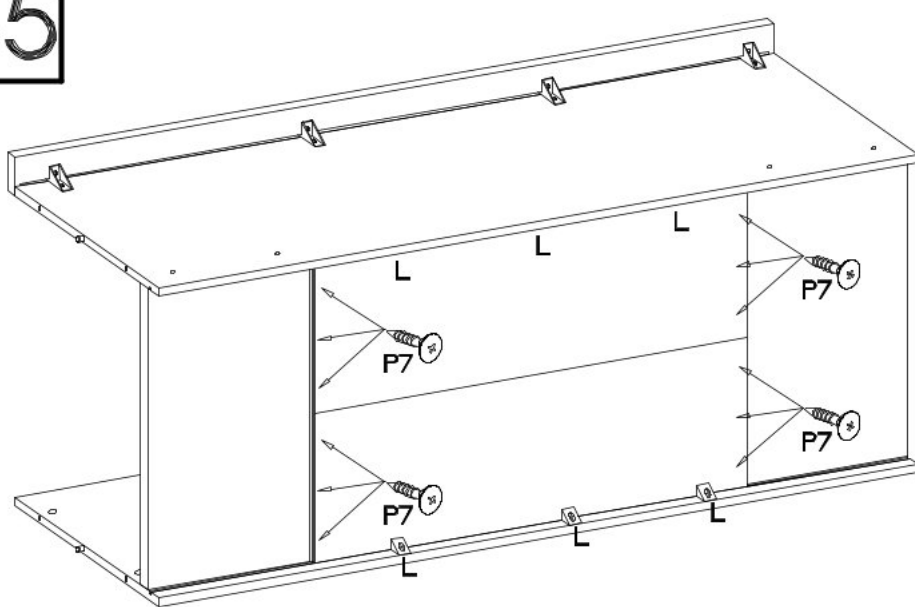
34



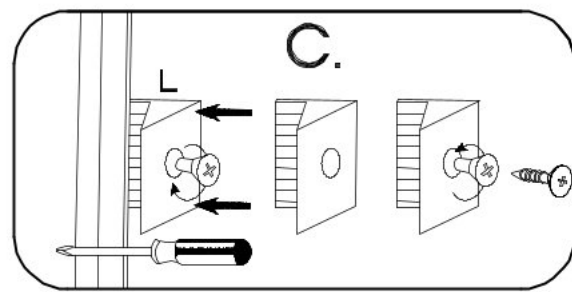
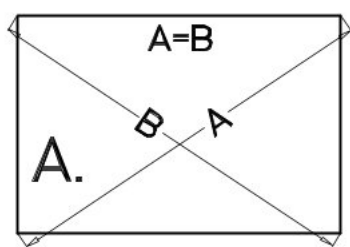
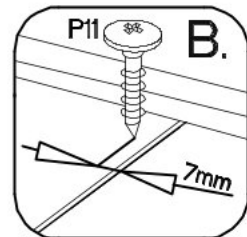
6,4 x 50mm
1 O B
4



35



3.0x20mm
P7 L
12 6



36

±3.5x13mm



8

±35/0mm

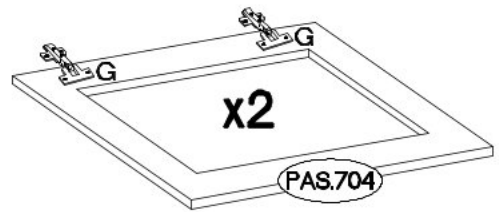
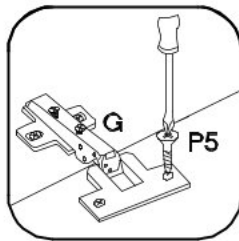
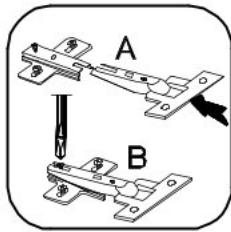
H-0



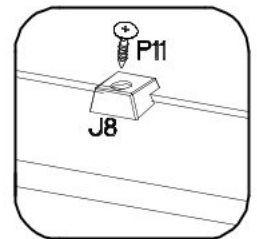
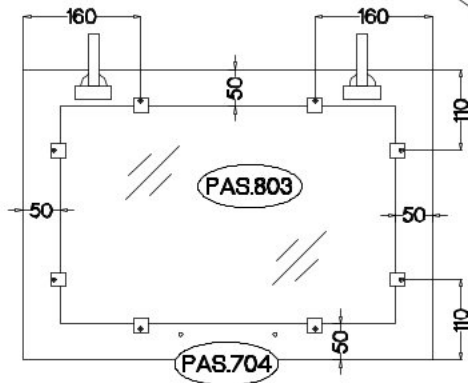
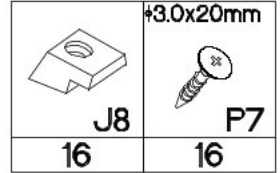
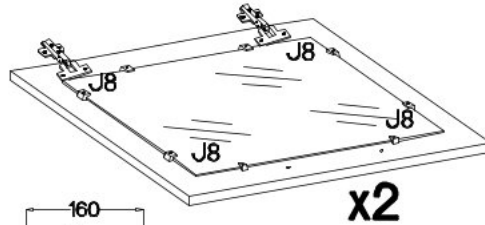
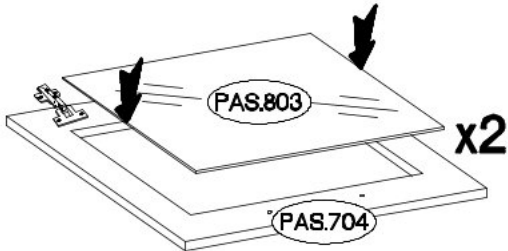
4



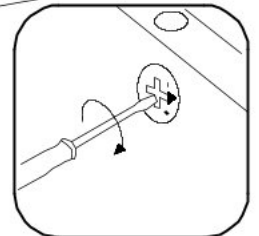
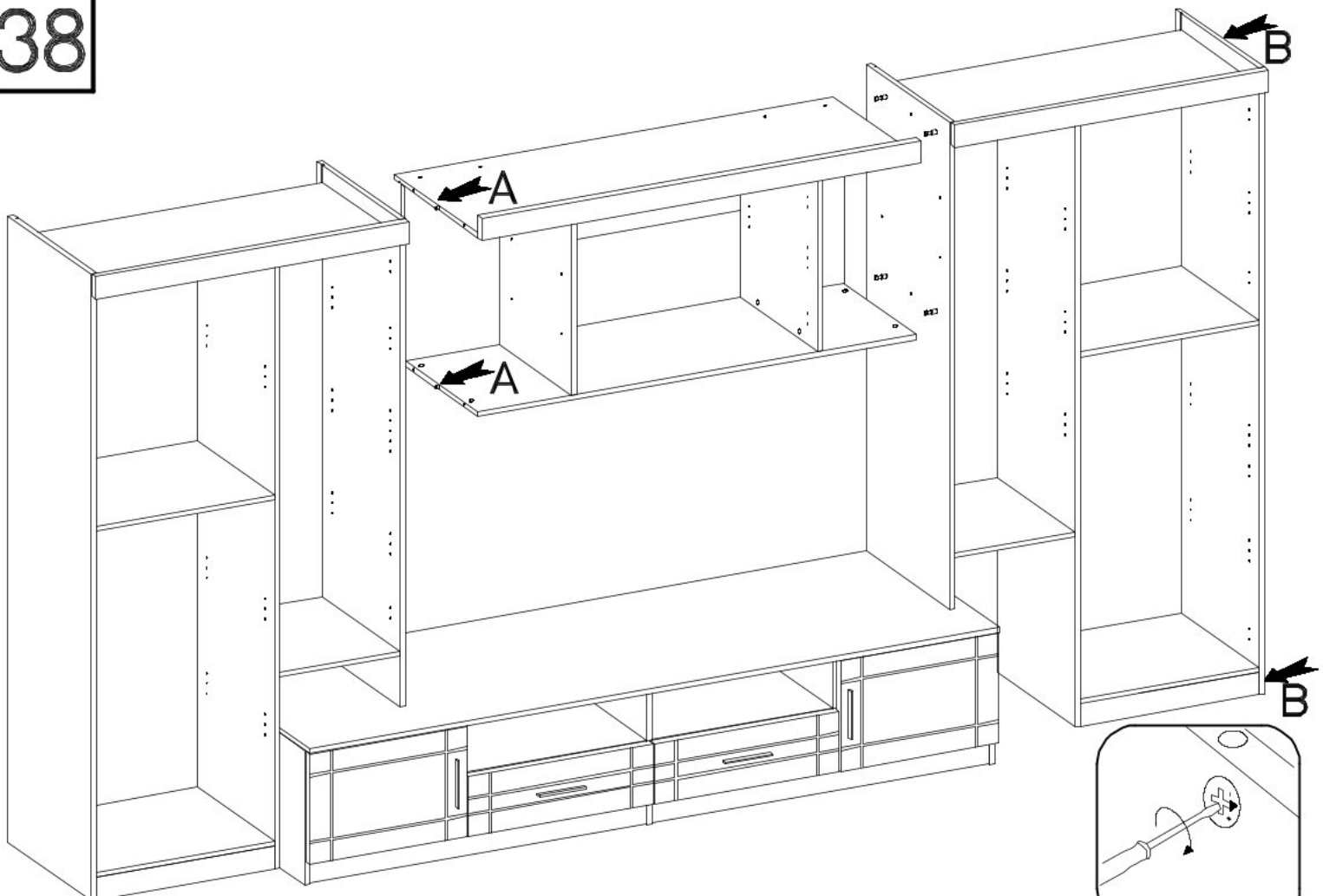
4

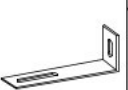









37

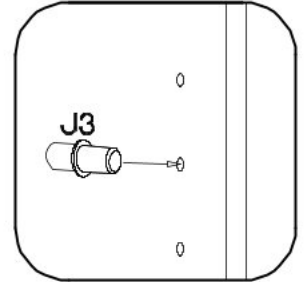
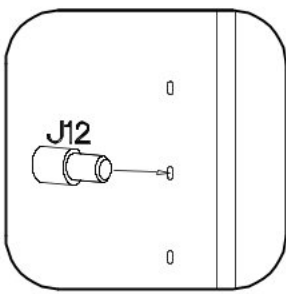
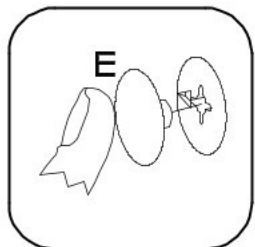
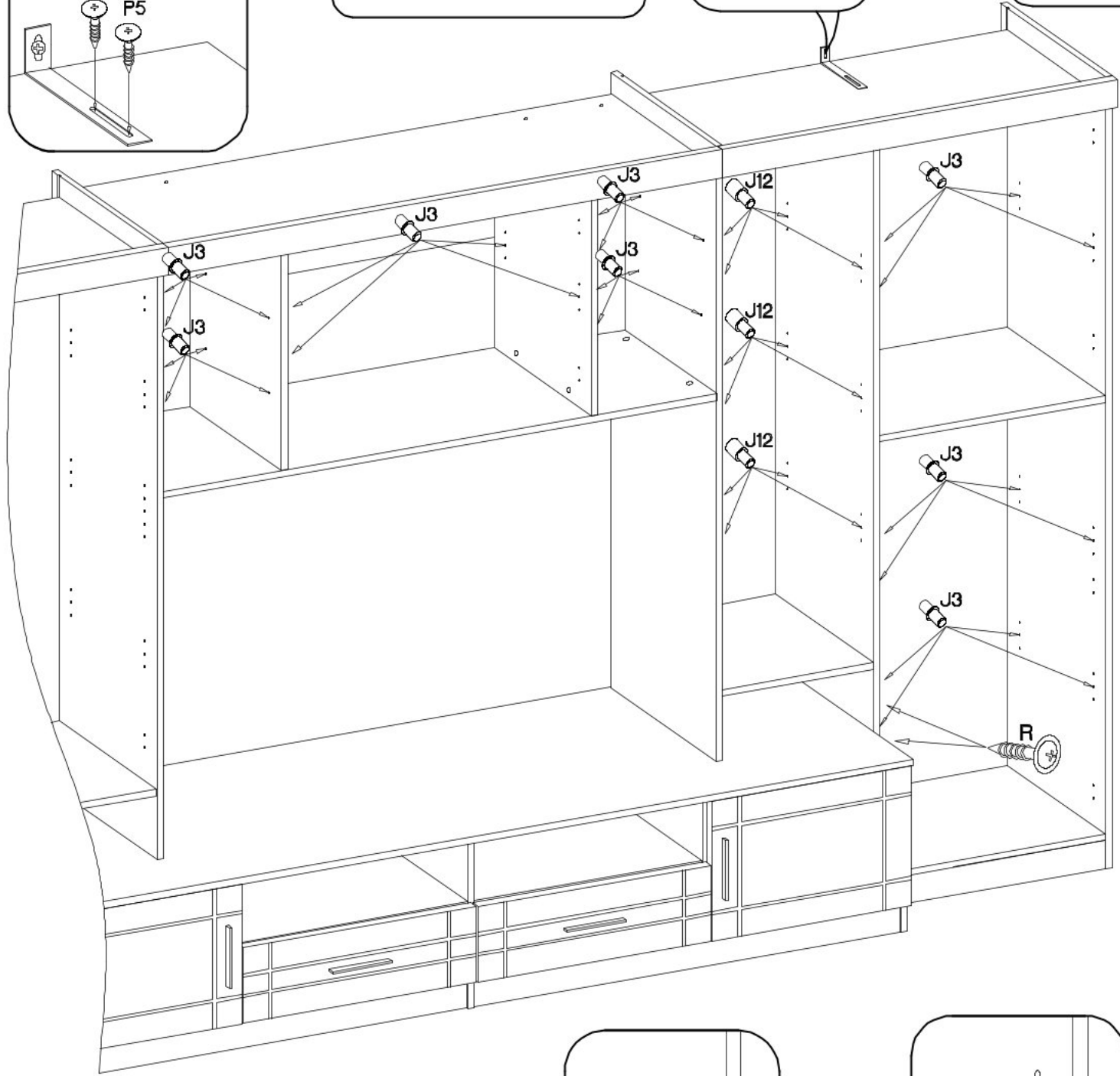
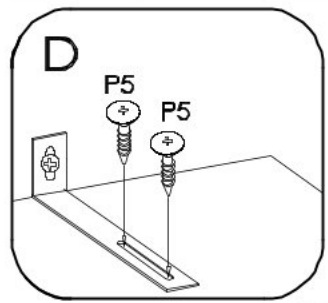
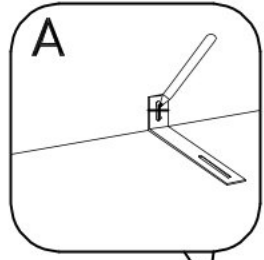
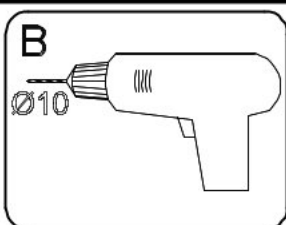
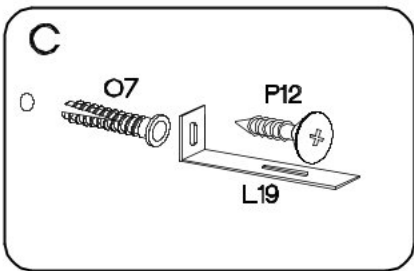


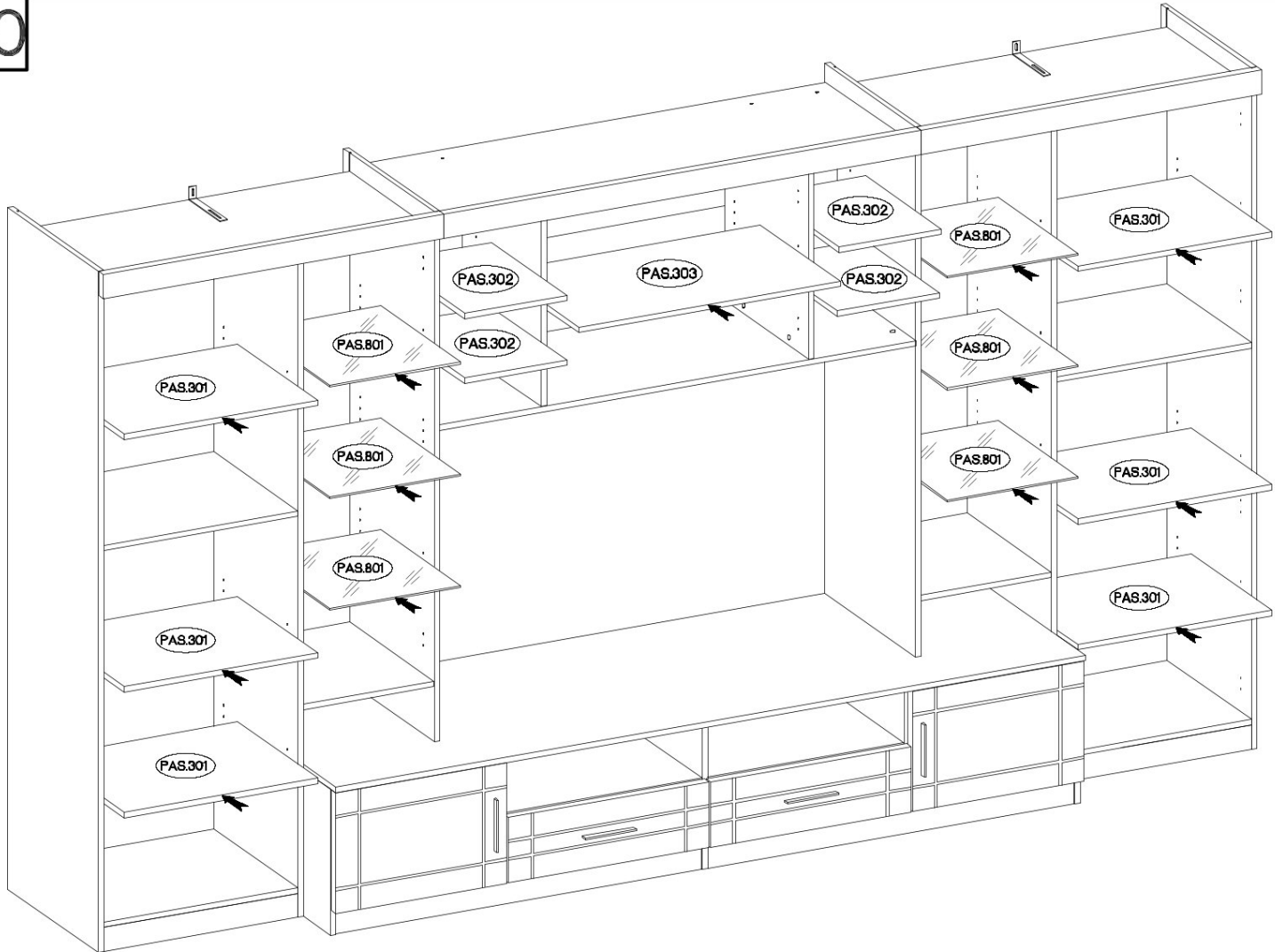
38





				
L19	P12	P5	R	O7
1	1	2	2	1

		
J3	E	J12
32	34	12





41

L=128mm 	∅4.0x30mm 
S11 4	R2 8

