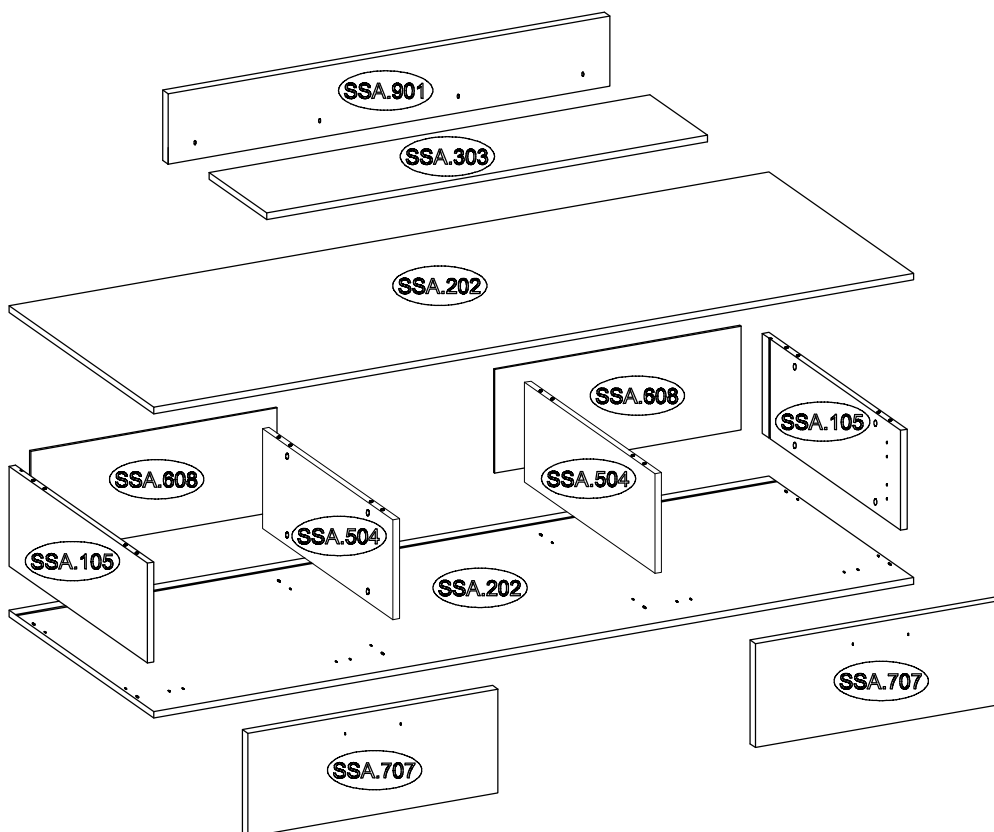
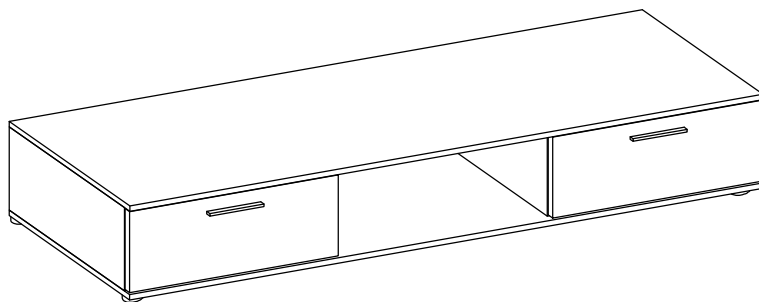
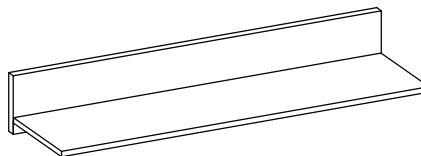


SAUL

Typ 318




1B	L=128mm	+4.0x30mm
	2	4

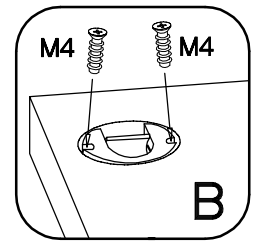
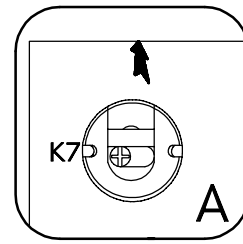
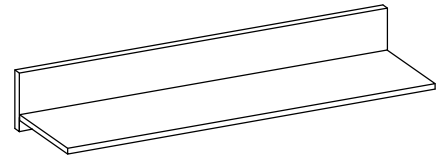
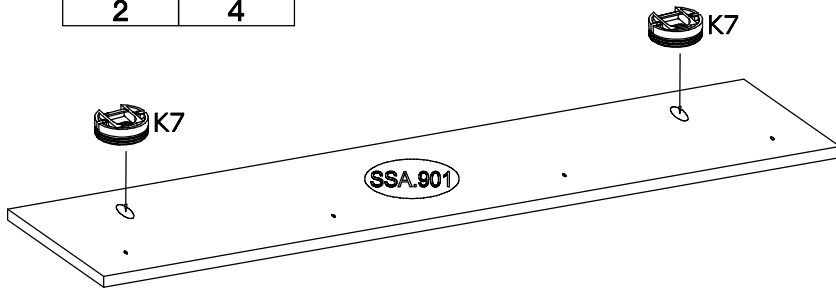
2B	H=0	+35/16mm	+3.5x13mm
	4	4	8

3B		+6.3x9mm		6,4 x 50mm	5/45mm	+10x50mm	+15/12mm	+8x30mm	L=20mm	+4.0x25mm
	2	4	1	4	2	2	16	16	16	6


	+3.5x13mm						
	6	6	2	4	16	10	4

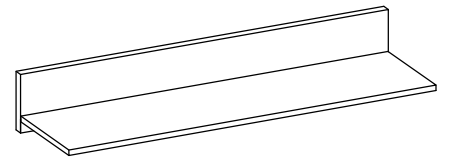
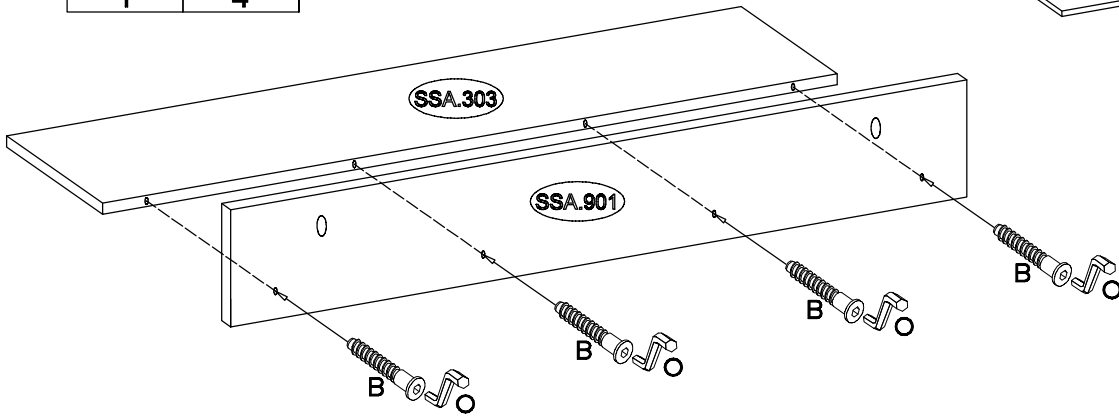
1

	16,3x9mm
K7	M4
2	4

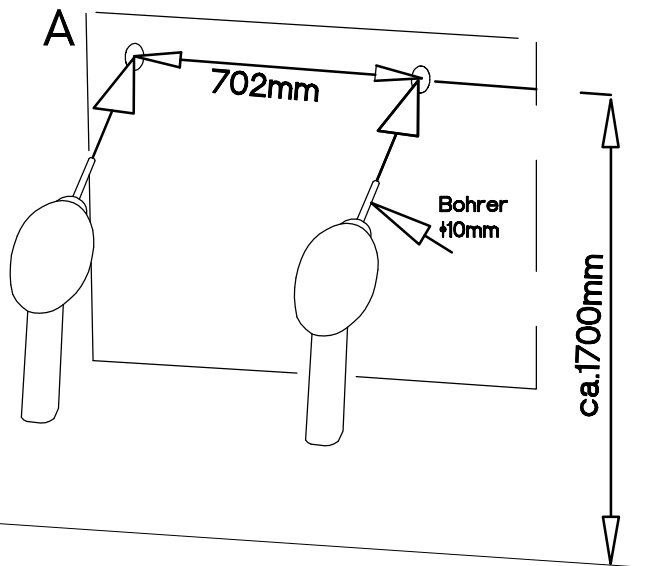




2

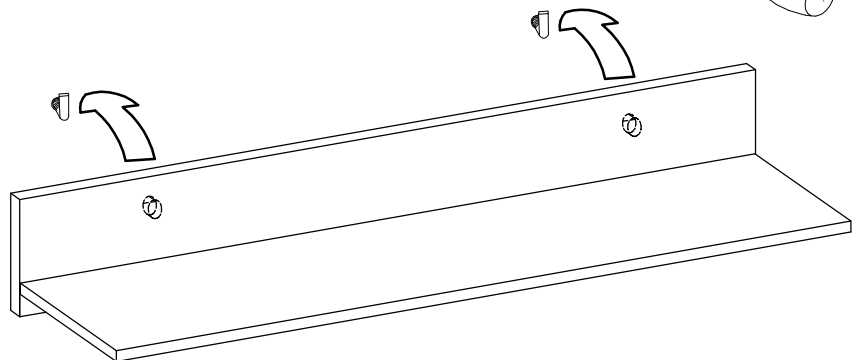
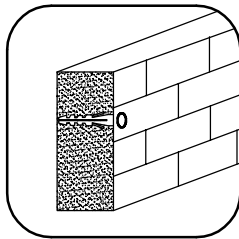
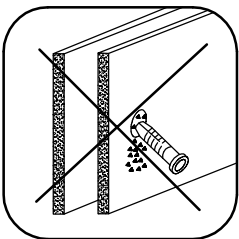
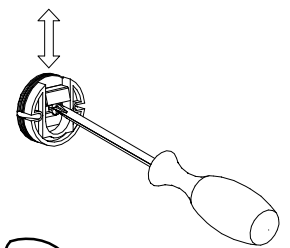
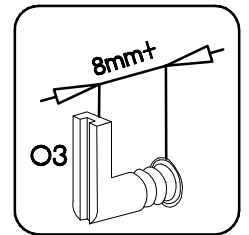
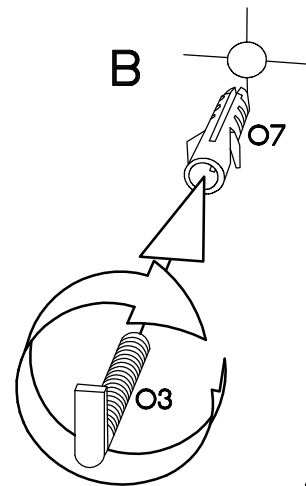
	6,4 x 50mm
O	B
1	4






3





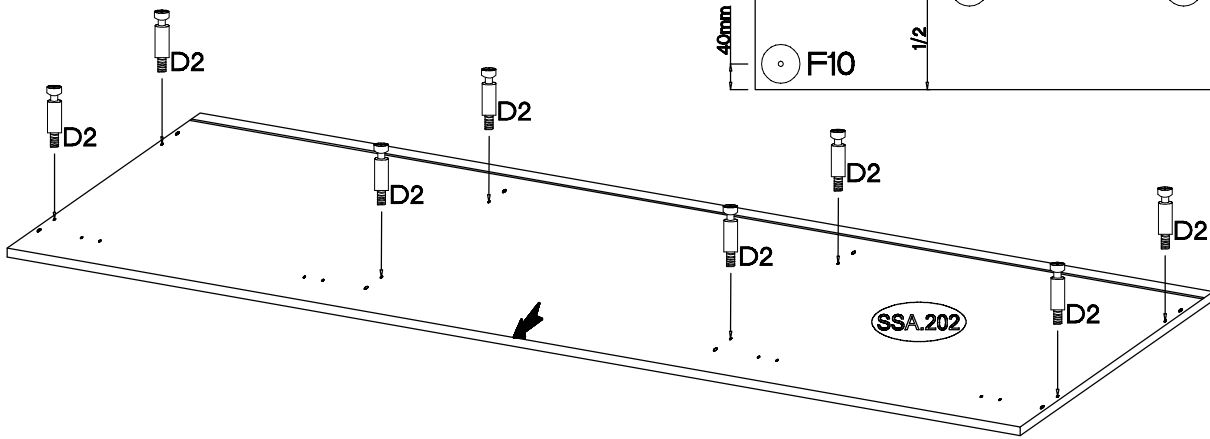
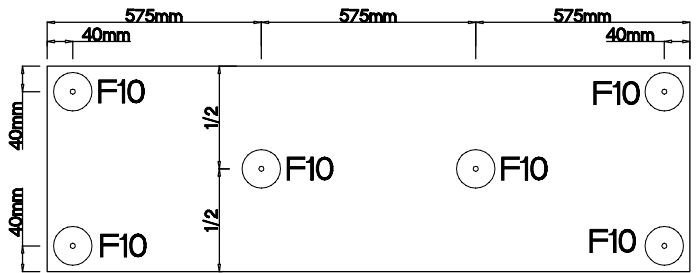
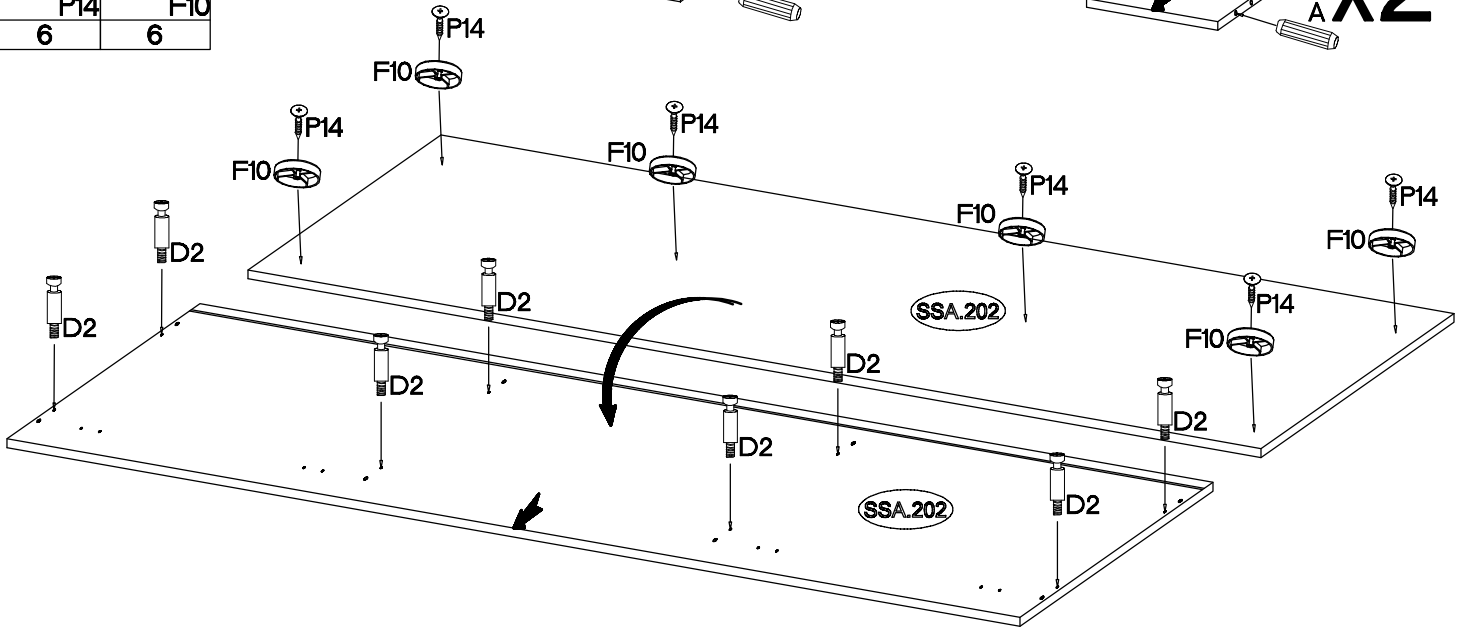
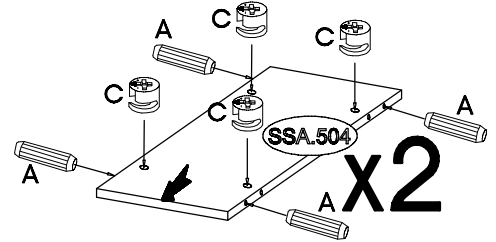
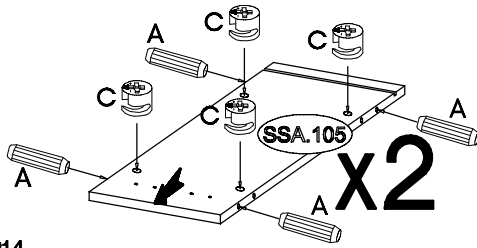
	5/45mm		10x50mm
O3		O7	
2		2	



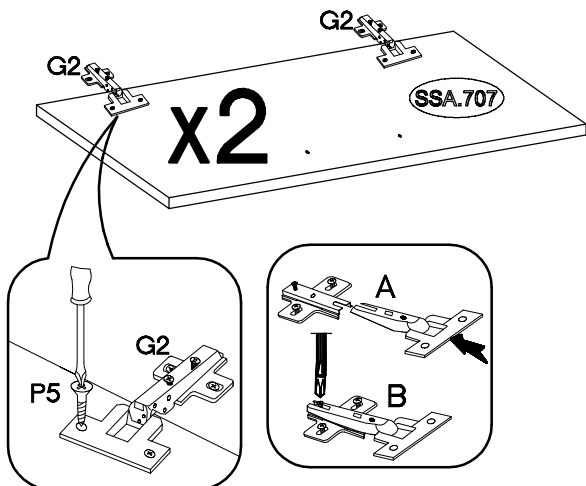
4





		
16	16	16

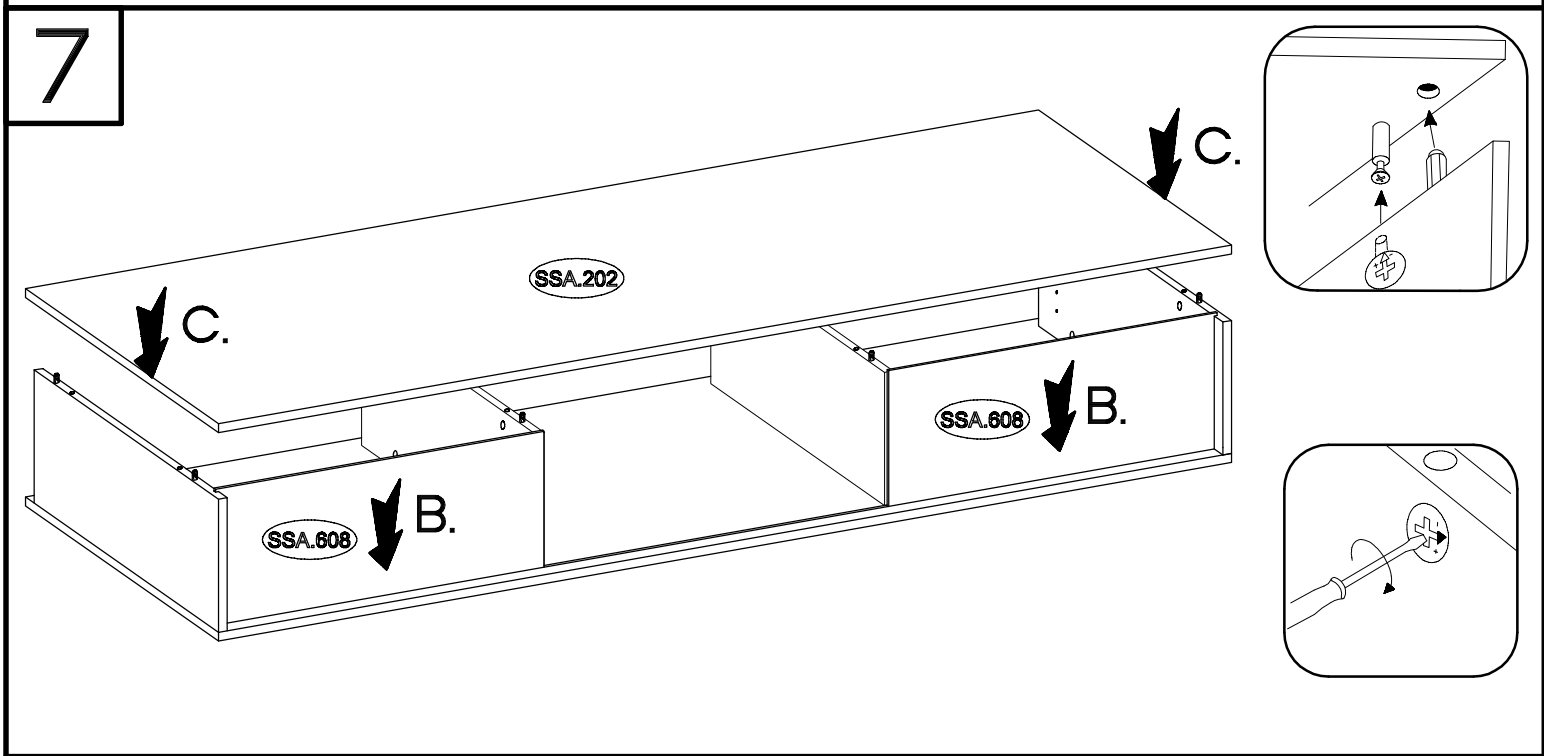
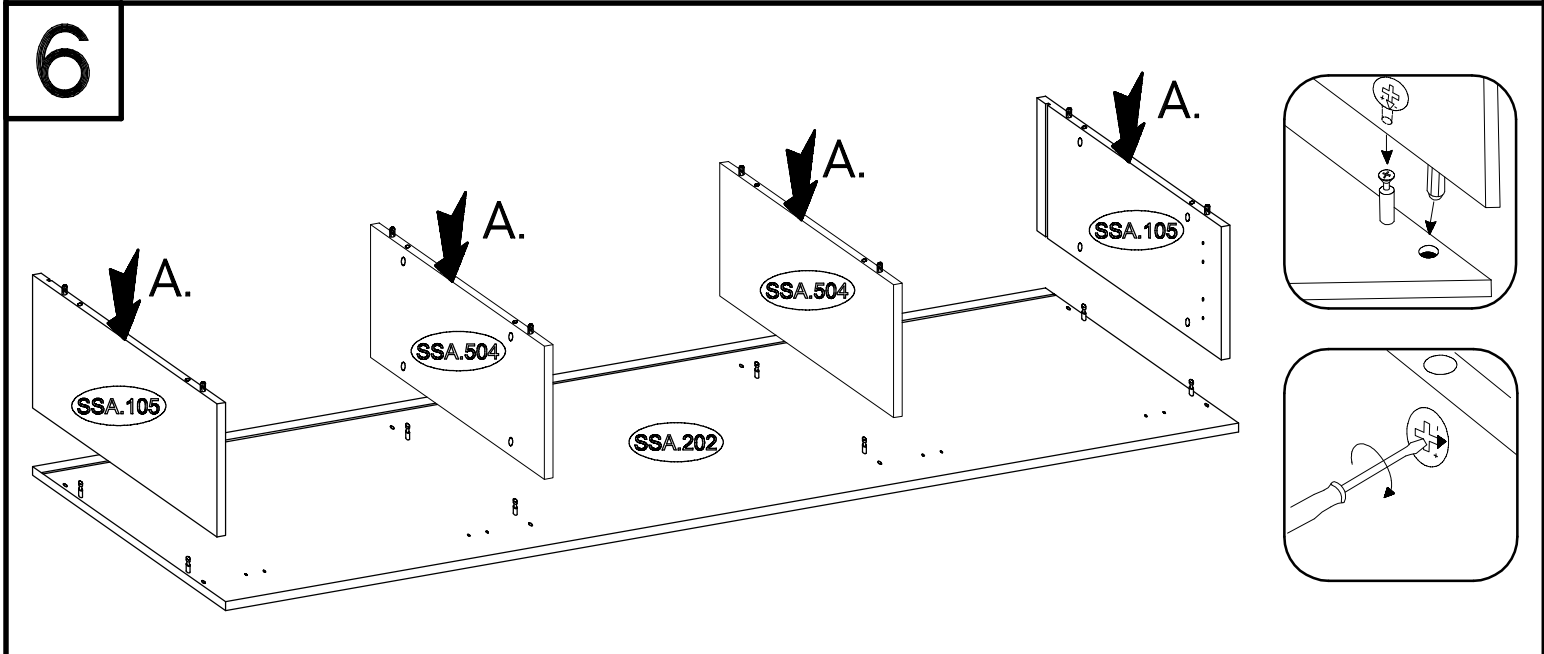
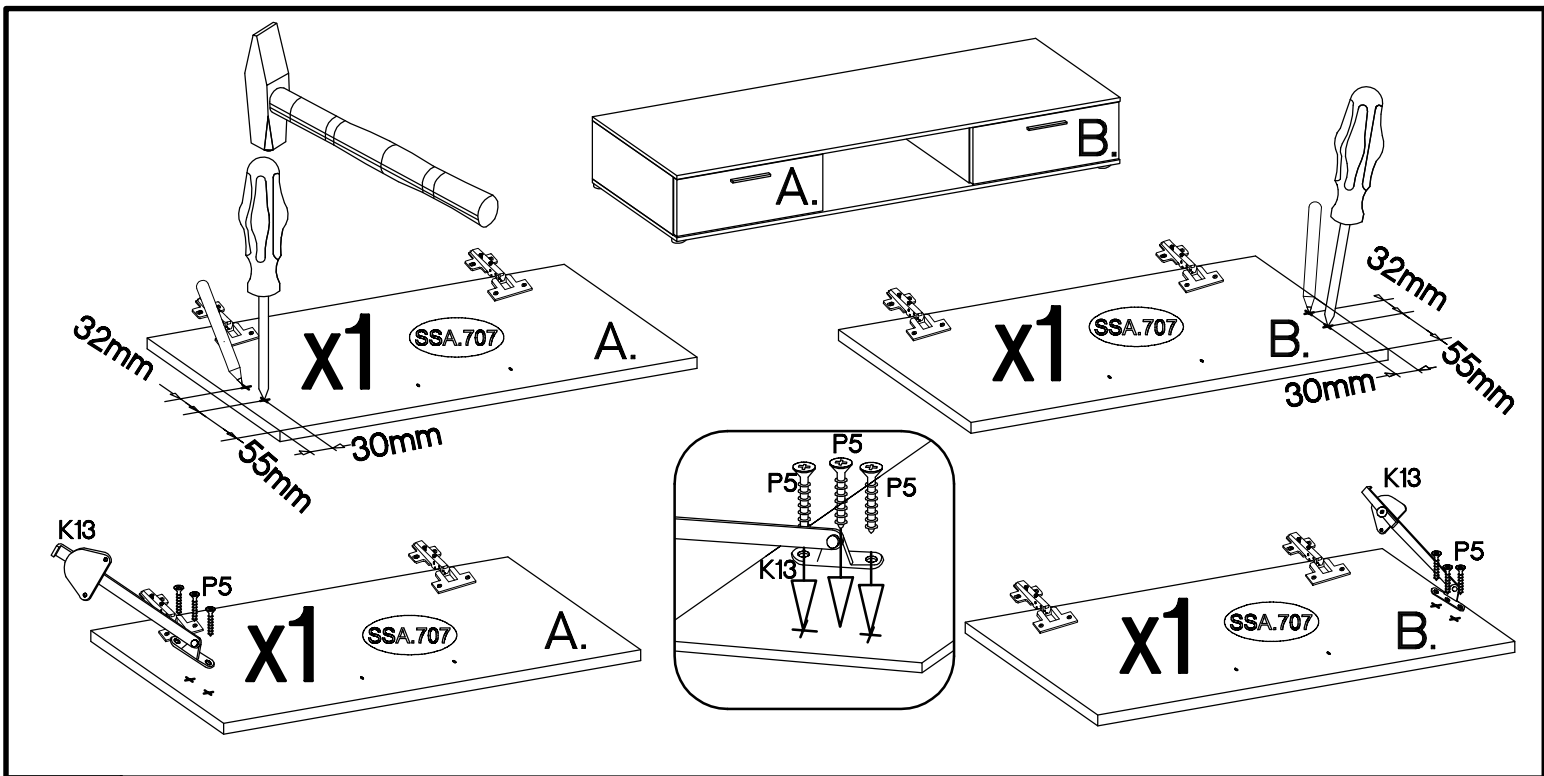
	
6	6



5



			
4	4	14	2



8

±3.0x16mm



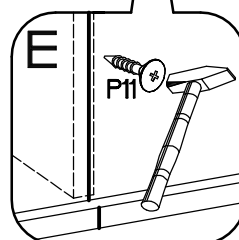
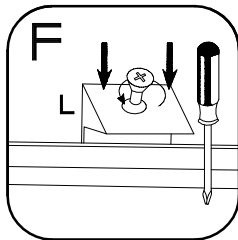
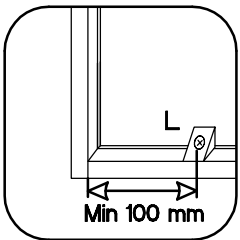
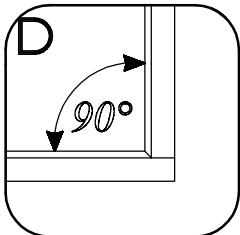
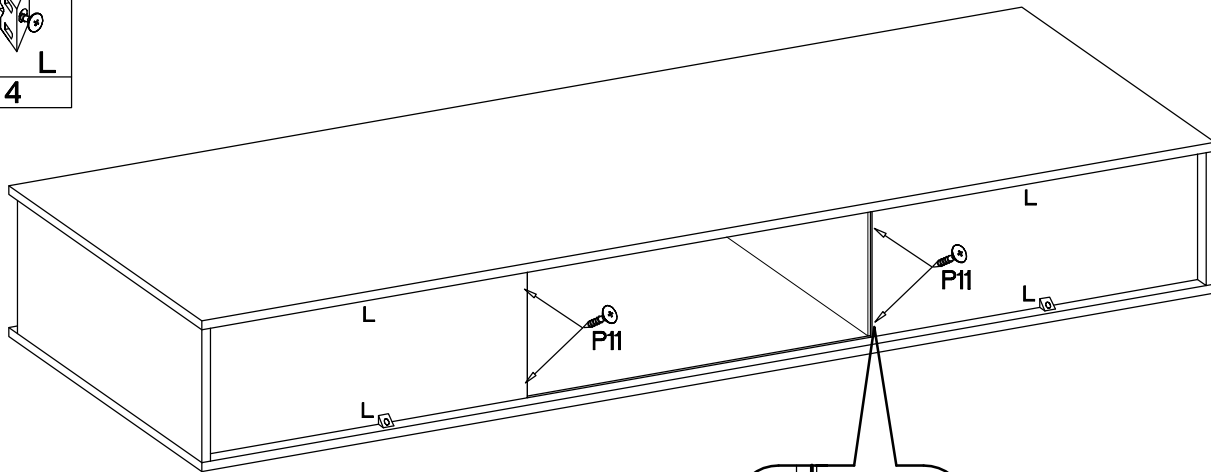
P11

4



L

4



9

±3.0x16mm



E

16

±3.0x16mm



P11

6

±4.0x30mm



R2

4

L=128mm



S11

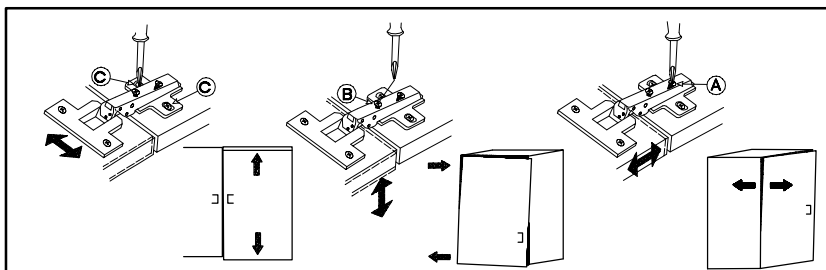
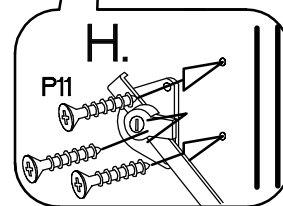
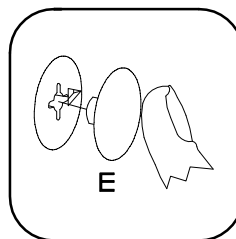
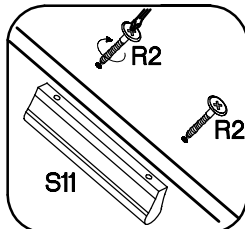
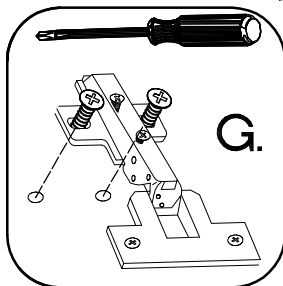
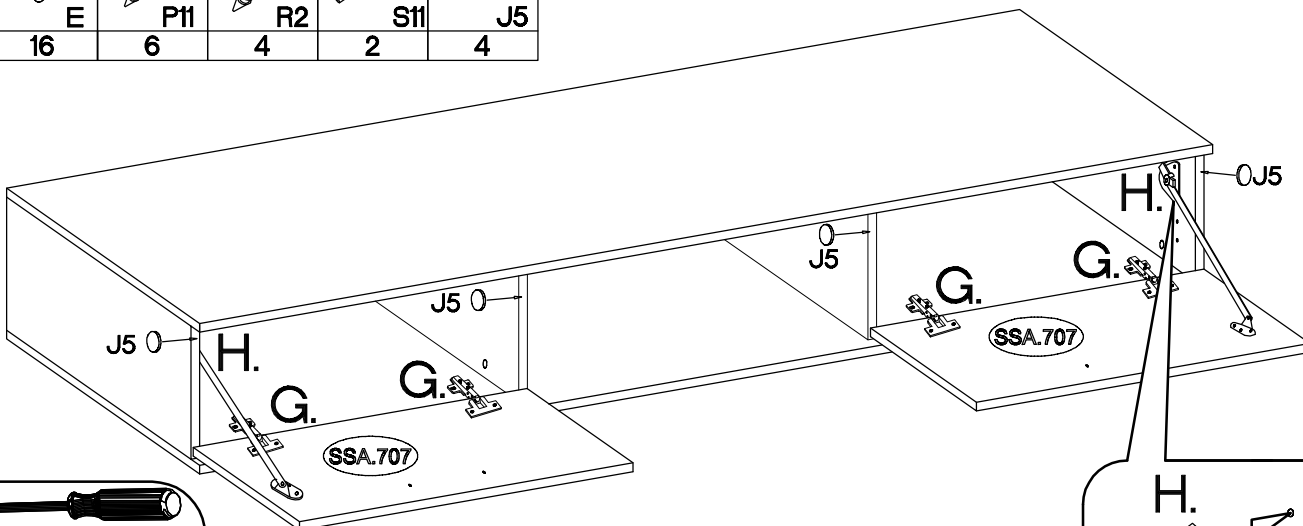
2

L=128mm

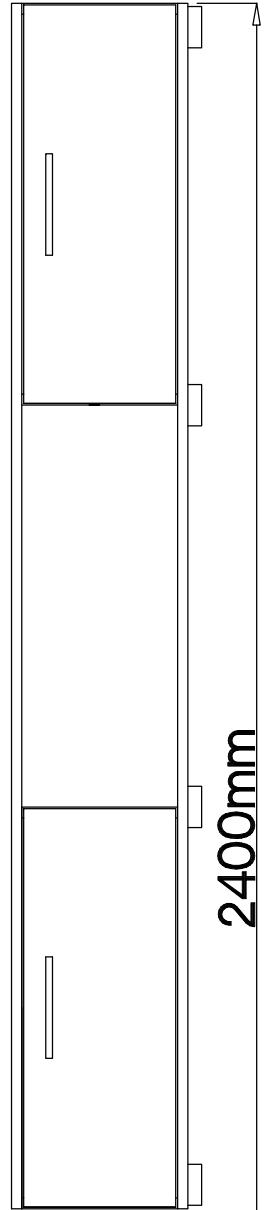
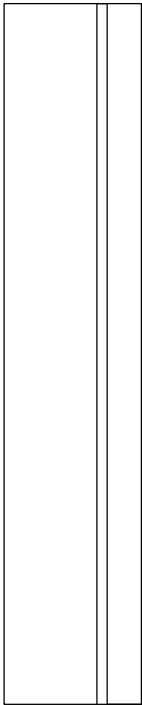
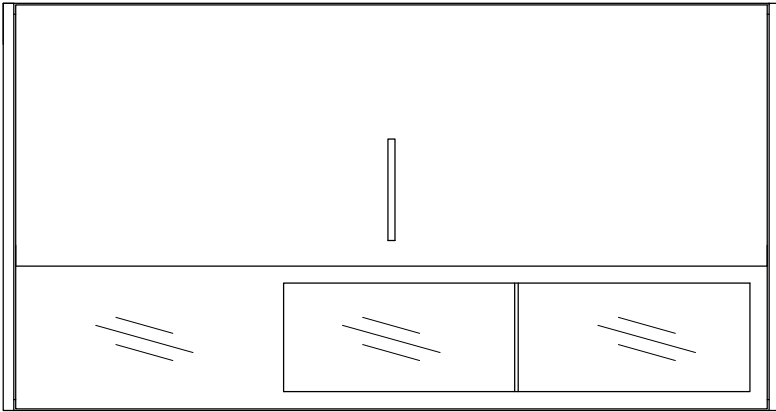


J5

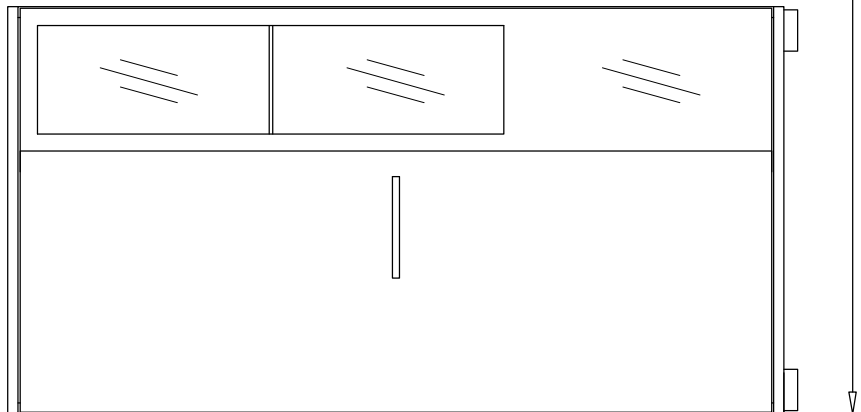
4



1800mm

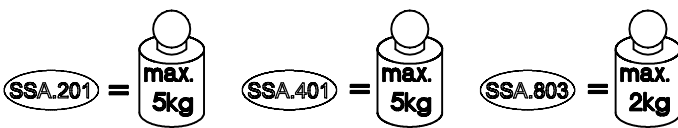
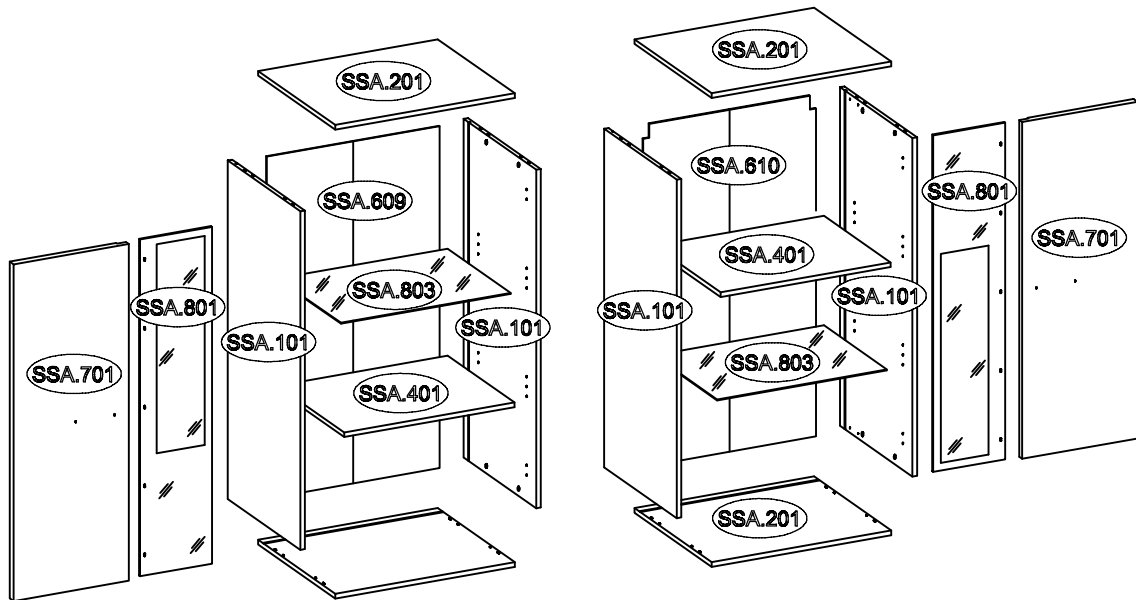
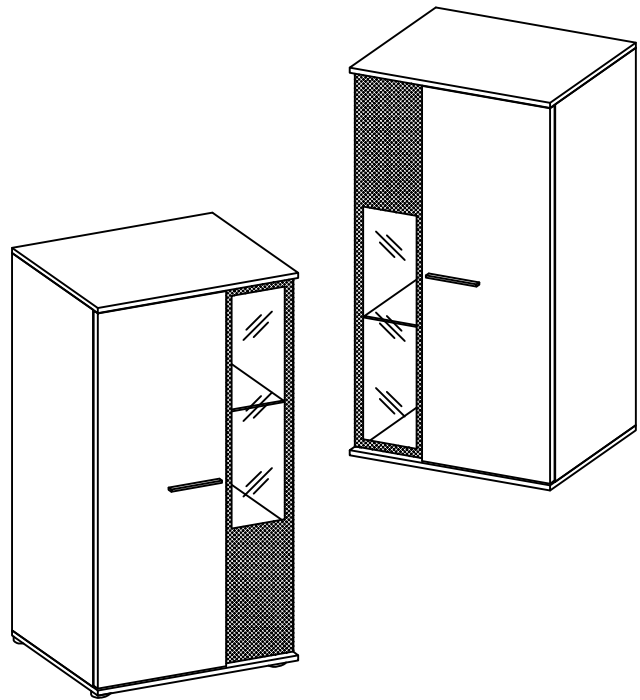


2400mm



SAUL

Typ 031



1B	L-128mm S11 2	+4.0x30mm R2 4	2B	H-0 H 6	+35/0mm G 6	+3.5x13mm P5 12	J5 4				
	3B	+5/12mm C 24		+8x30mm A 16	L-20mm D2 24	+4.0x25mm P14 4		F10 4	J7 10	J15 10	+4.0x12mm R5 10
		+3.0x20mm P7 8	L2 8	E 24	+5/16mm J12 8	K 2	+4.0x30mm P8 4	+3.5x13mm P5 1	L9 1	+10x50mm O7 5	+5.0x60mm P12 4

1

x2

x2

FARBE

1h

H-0 H 6	±35/0mm G 6	±3.5x13mm P5 6
J7 10	J15 10	±4.0x12mm R5 10
		O1 1

Diagram details: Shows two panels, SSA.701 and SSA.801, being prepared. Brackets (G) are attached to the top edge using screws (P5). Spacers (J15) are used to level the panels. A warning symbol indicates that the panels should be painted (FARBE) before assembly. A clock icon indicates a 1-hour preparation time. A person icon with 'L' and 'R' indicates the left and right sides of the assembly.

2

SSA.201

SSA.401

40mm

40mm

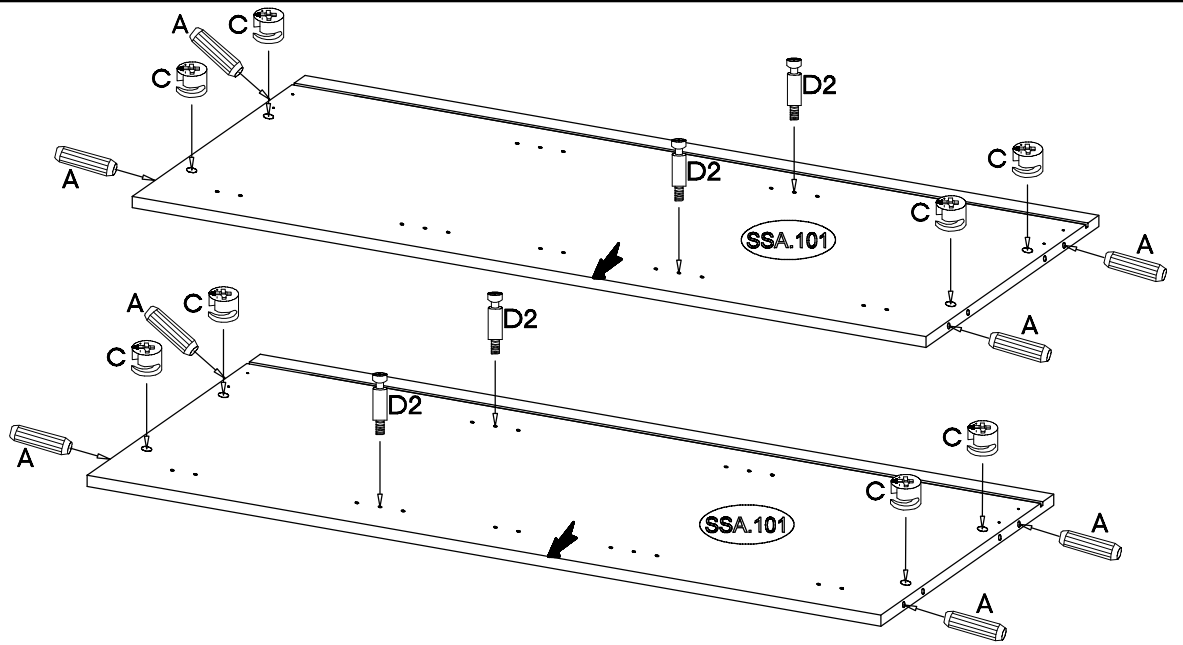
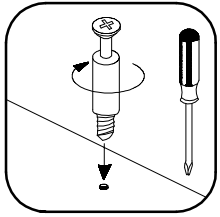
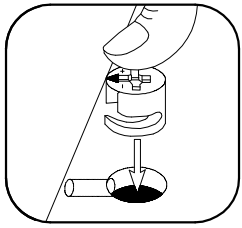
40mm

40mm

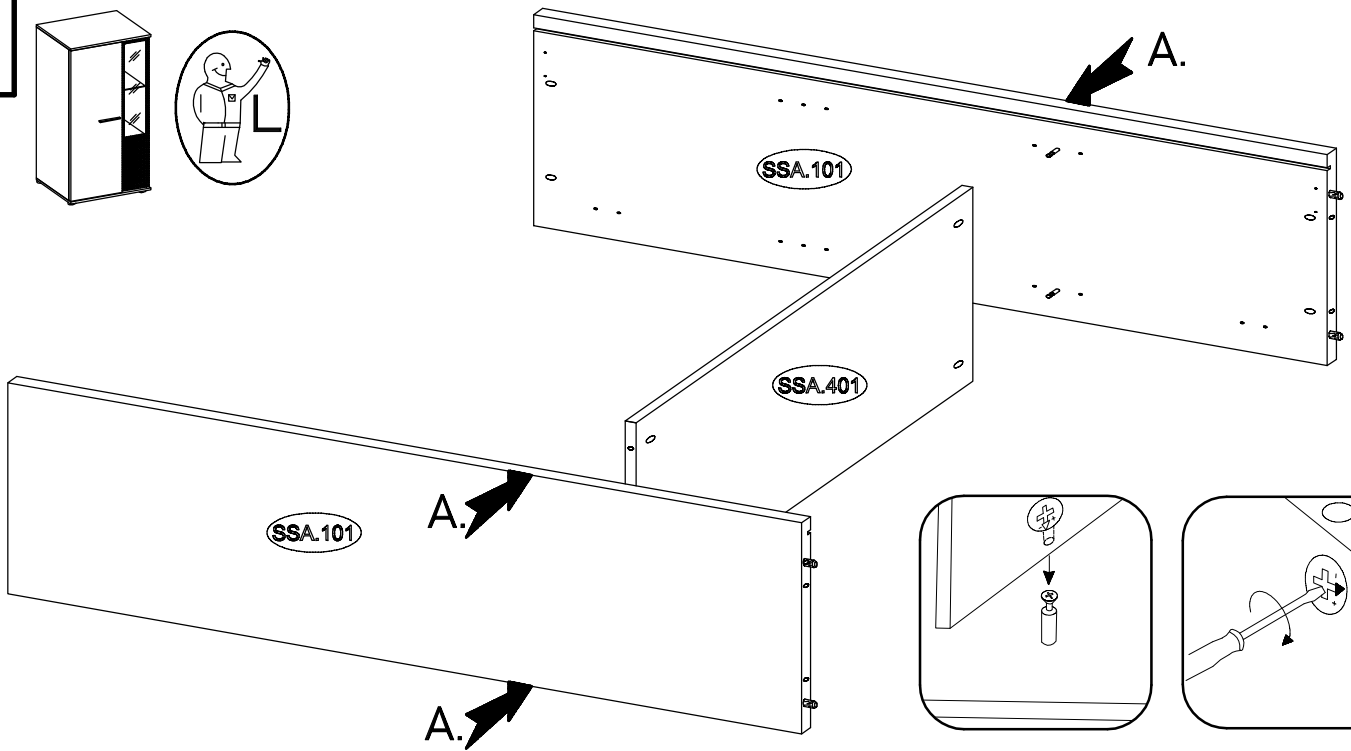
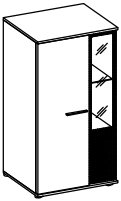
40mm

±15/12mm C 12	±8x30mm A 8	L=20mm D2 12	±4.0x25mm P14 4	F10 4
---------------------	-------------------	--------------------	-----------------------	----------

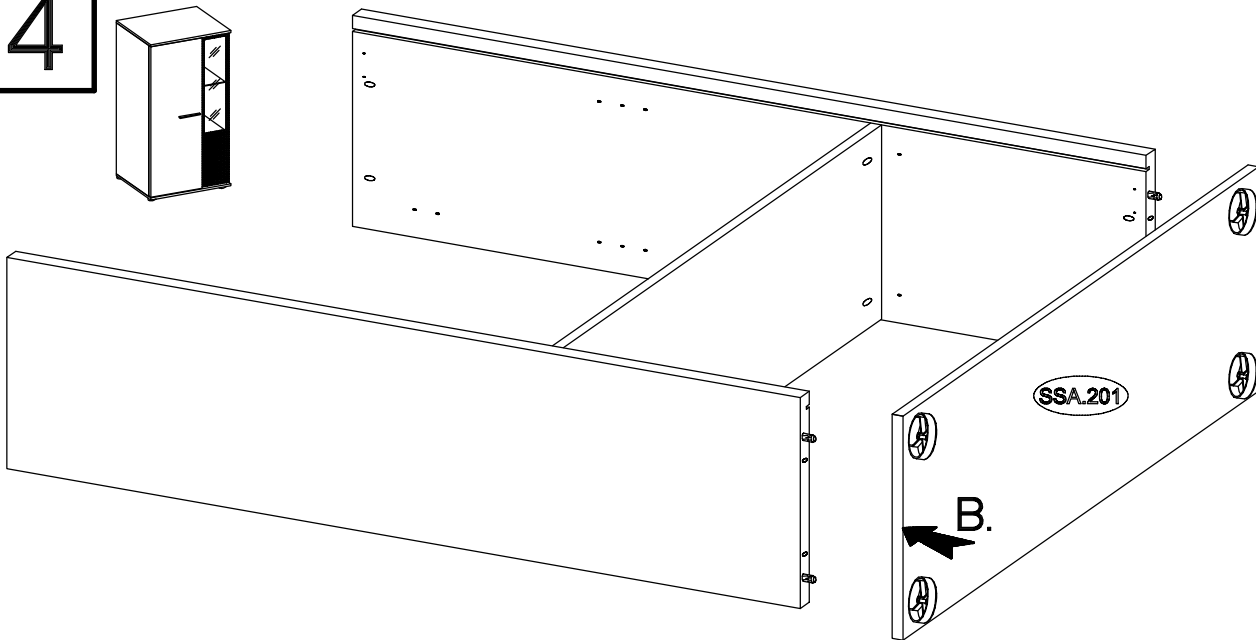
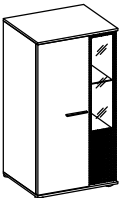
Diagram details: Shows the final assembly of the panels. The SSA.201 panels are attached to the SSA.401 base panel using screws (D2) and spacers (A). The SSA.201 panels are also secured to the base panel using screws (P14) and washers (F10). The SSA.401 panel is secured to the base panel using screws (D2) and spacers (C). A technical drawing shows the 40mm spacing between the fasteners. A person icon with 'L' and 'R' indicates the left and right sides of the assembly.



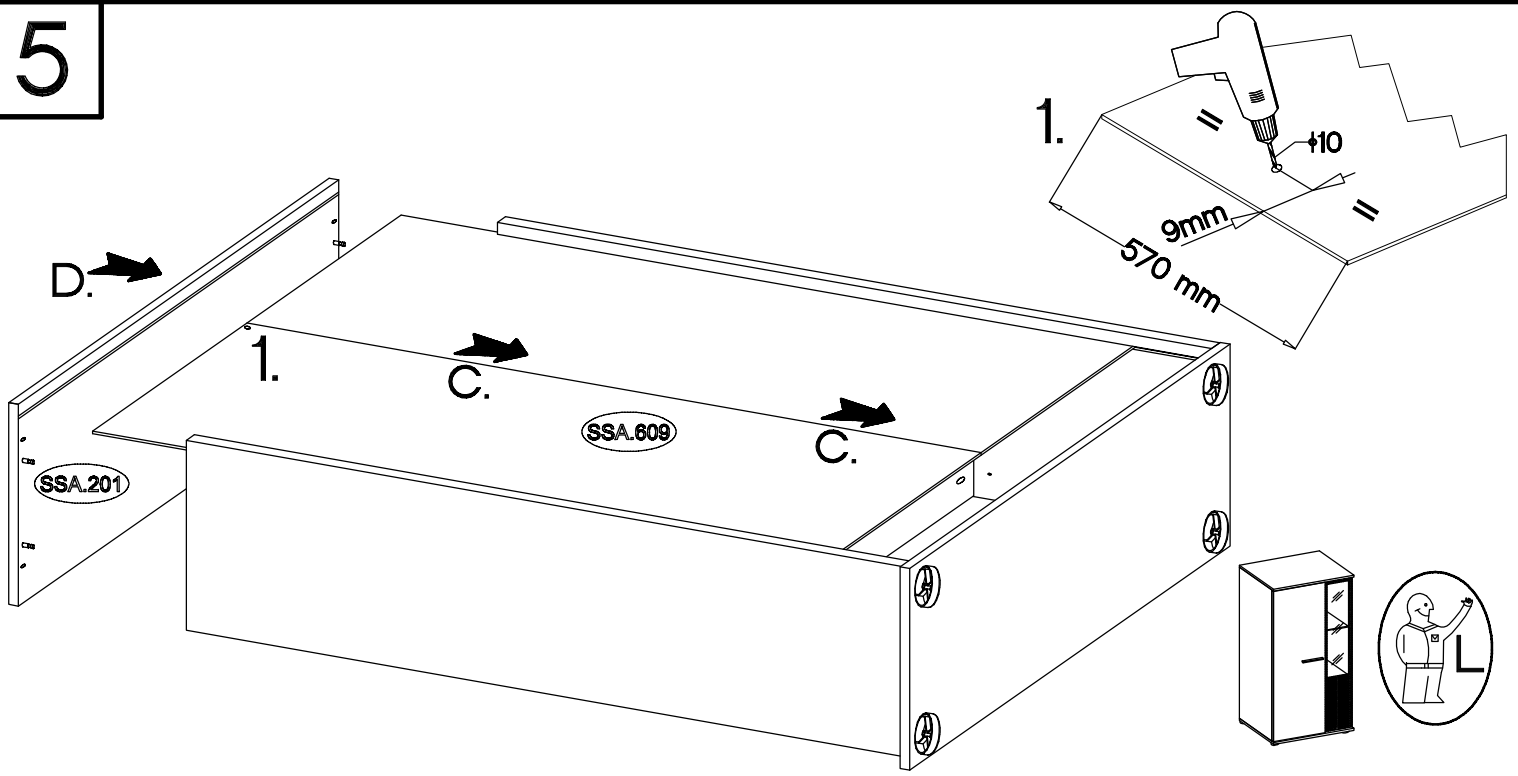
3



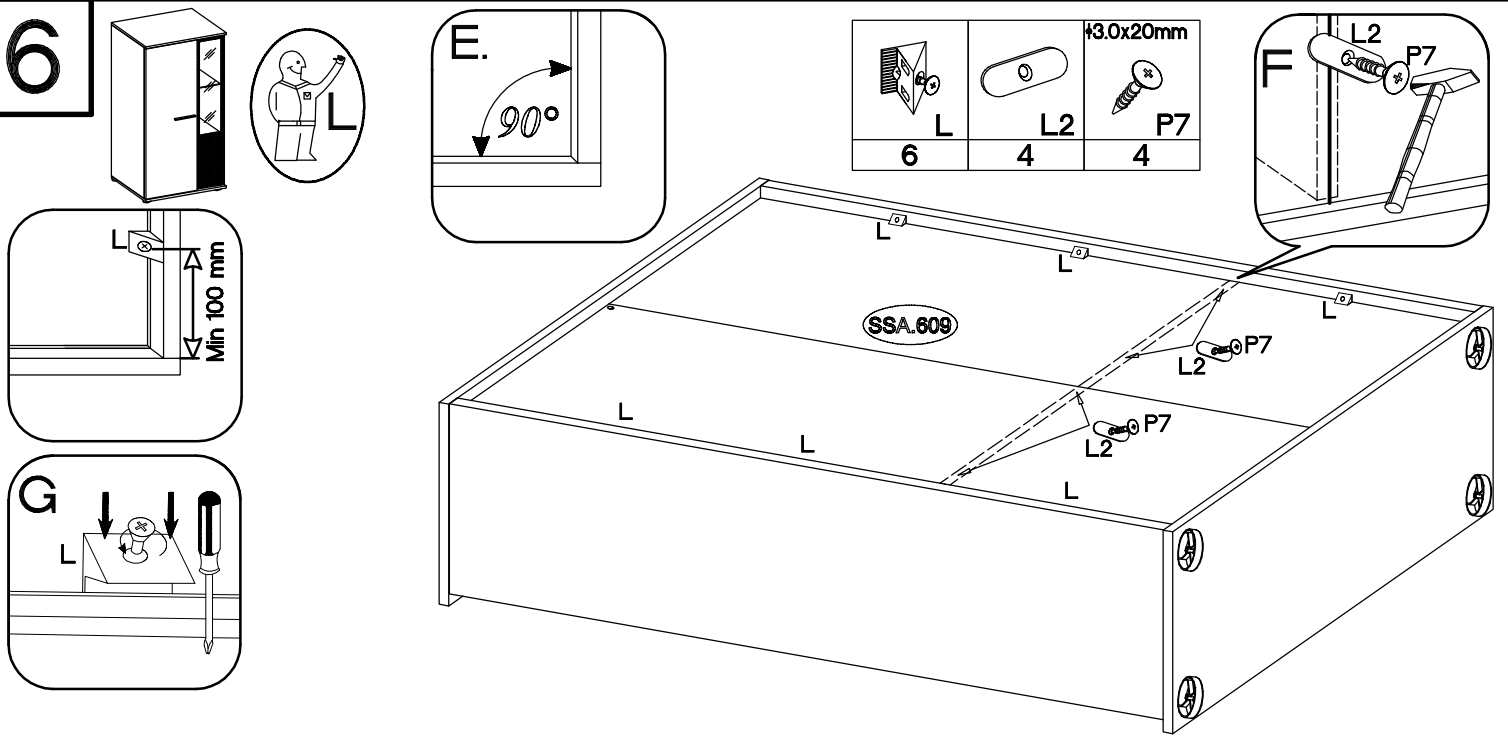
4



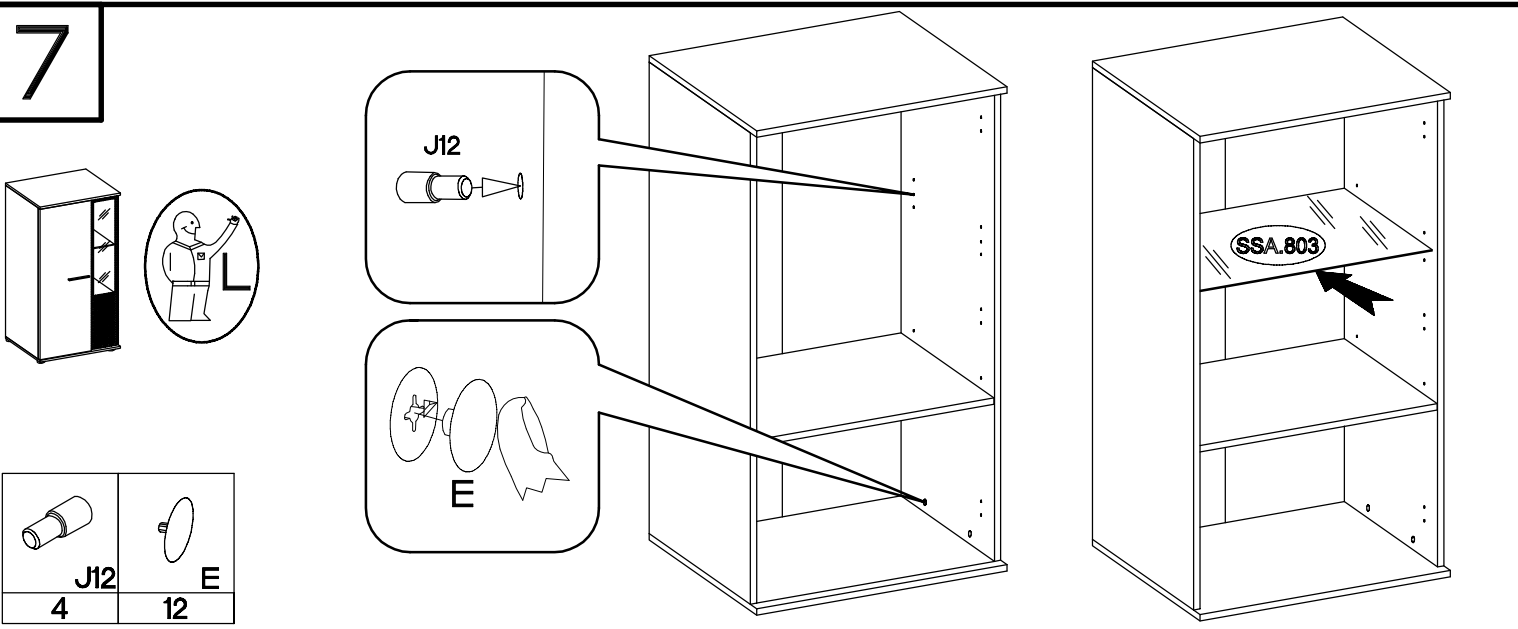
5



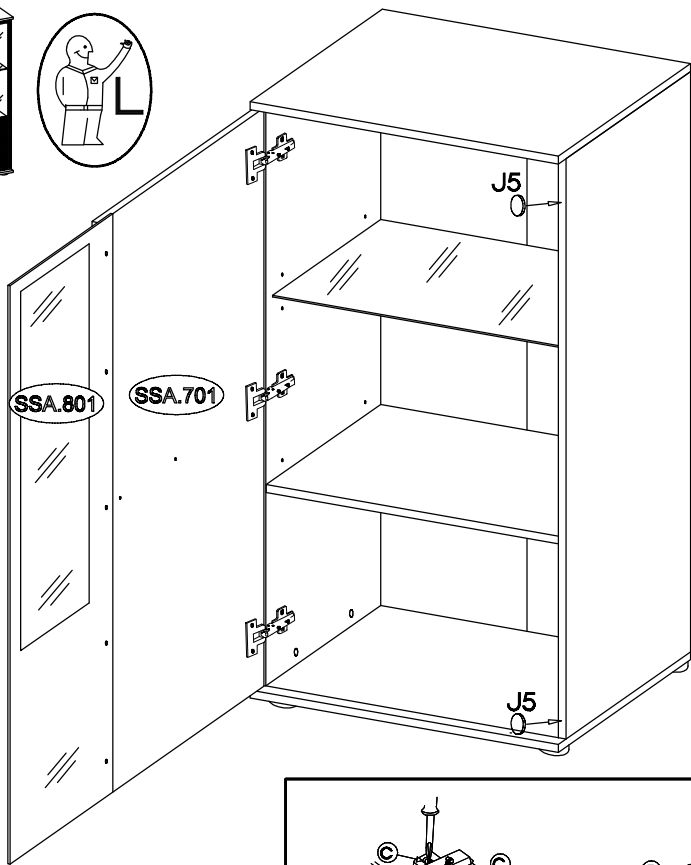
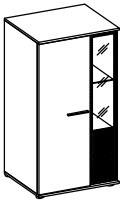
6



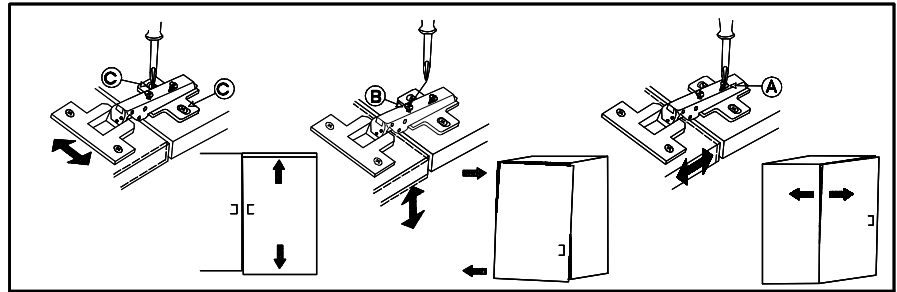
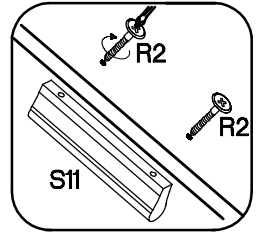
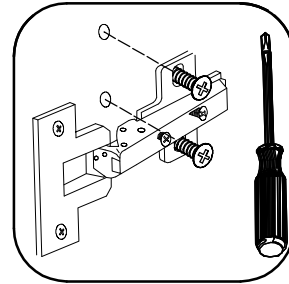
7



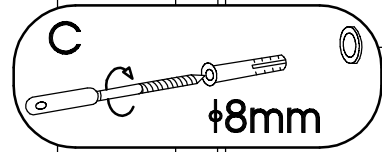
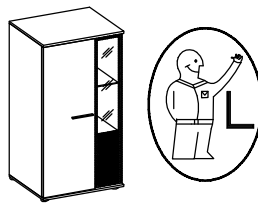
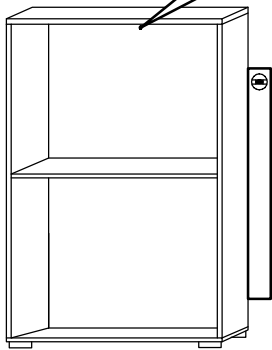
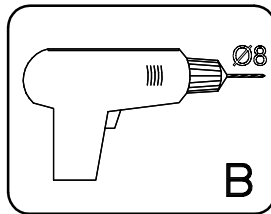
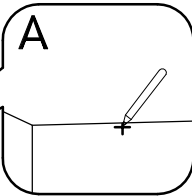
8



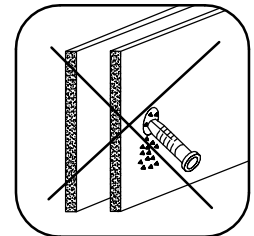
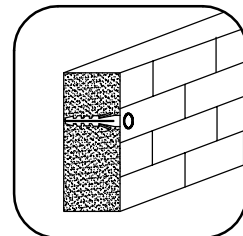
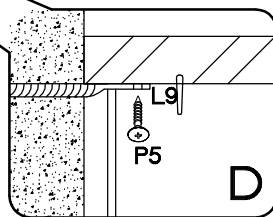
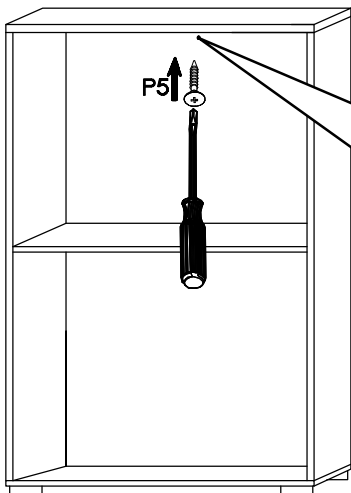
	$\phi 4.0 \times 30 \text{mm}$	L=128mm
J5	R2	S11
2	2	1



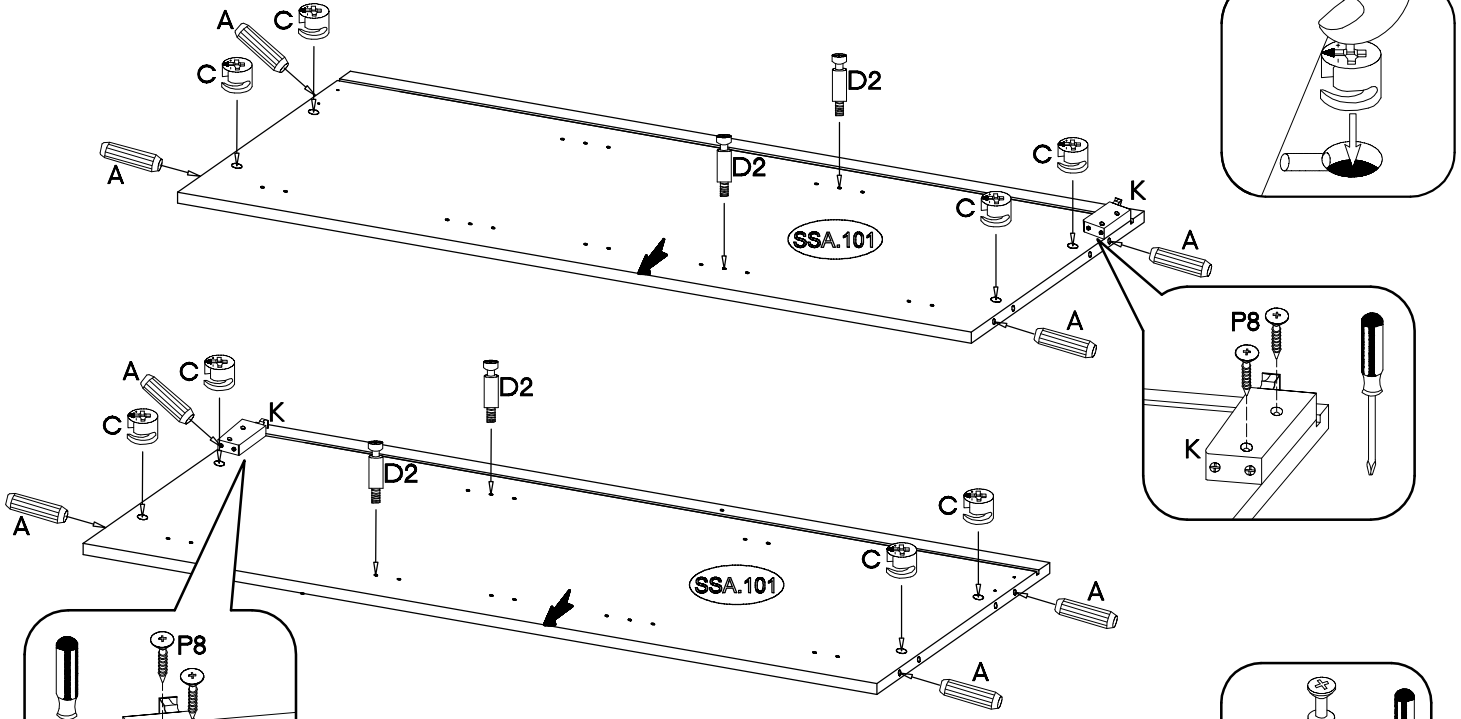
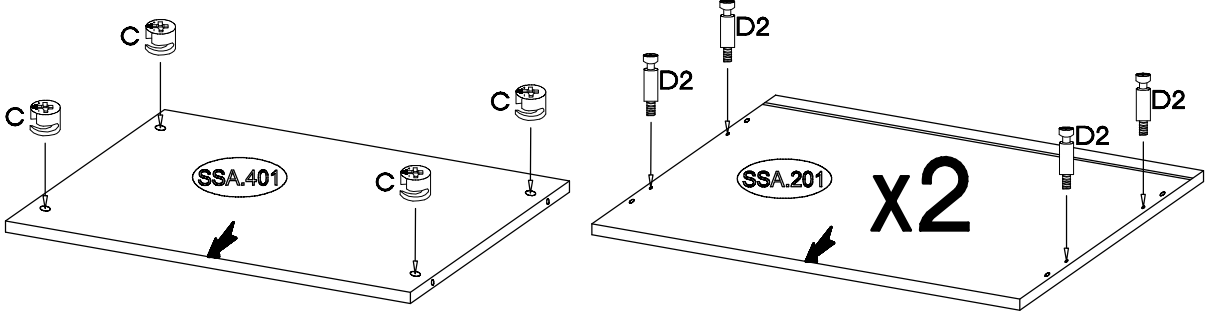
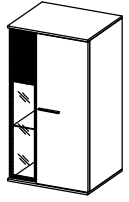
9



	$\phi 3.5 \times 13 \text{mm}$	$\phi 10 \times 50 \text{mm}$
L9	P5	O7
1	1	1

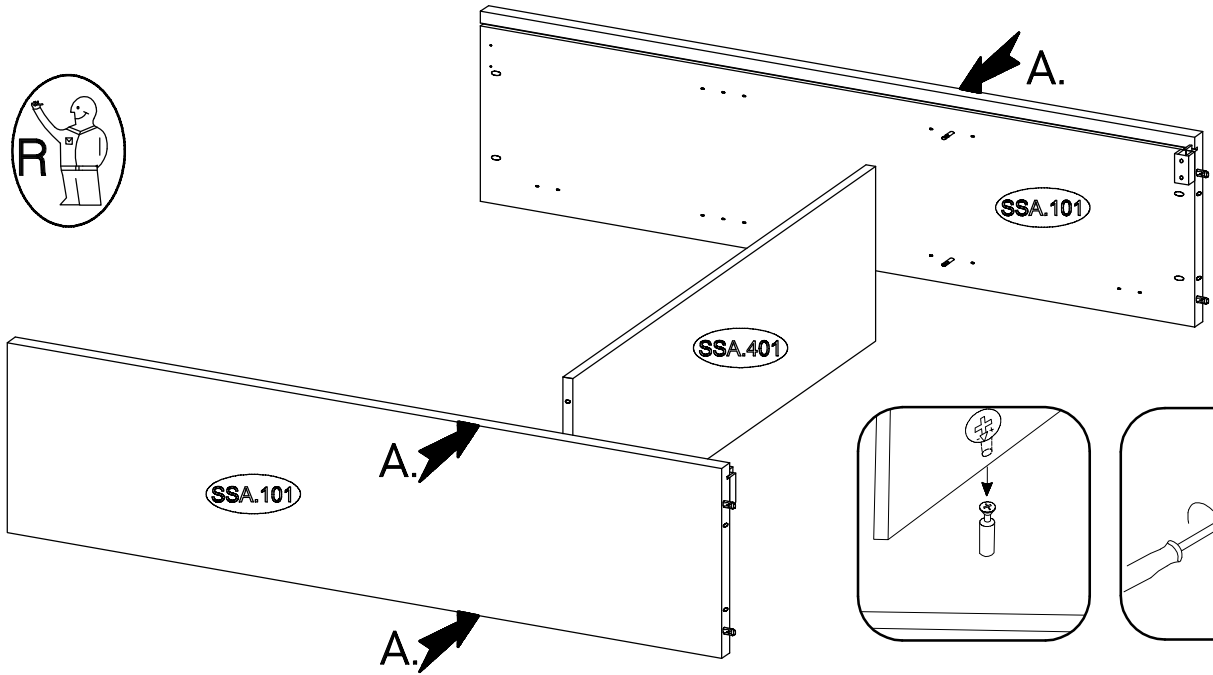
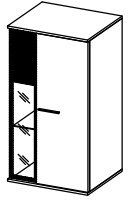


10

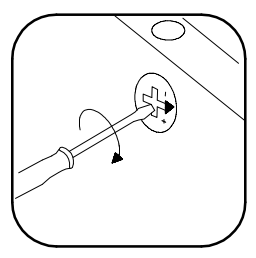
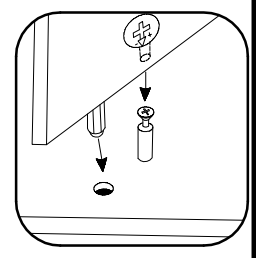
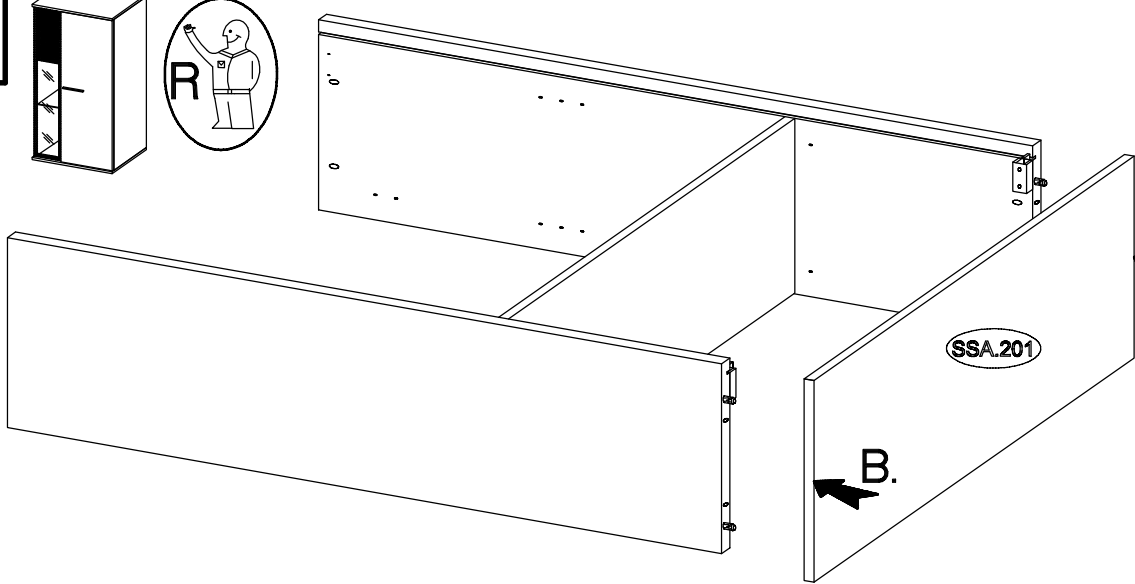
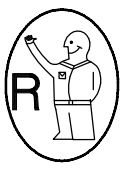
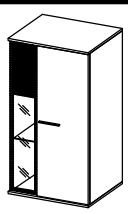


 C	 A	 D2	 K	 P8
12	8	12	2	4

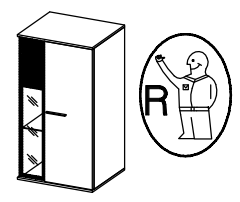
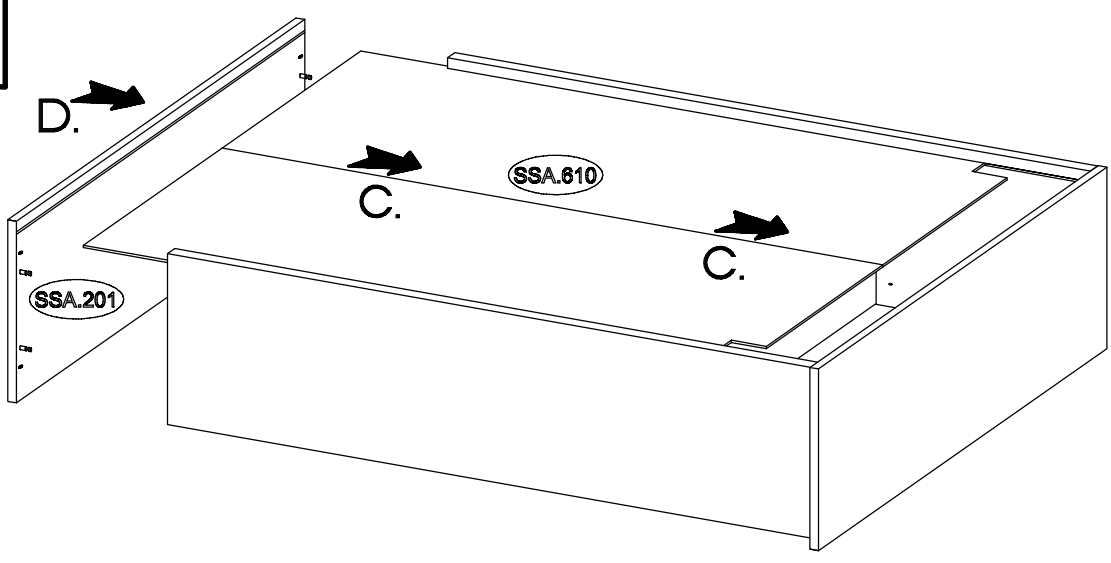
11



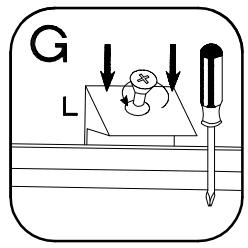
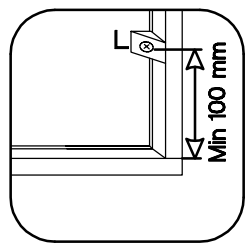
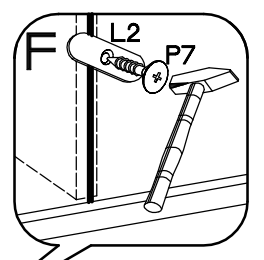
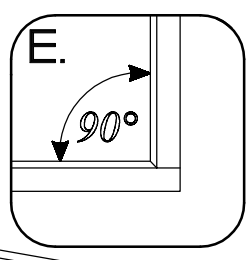
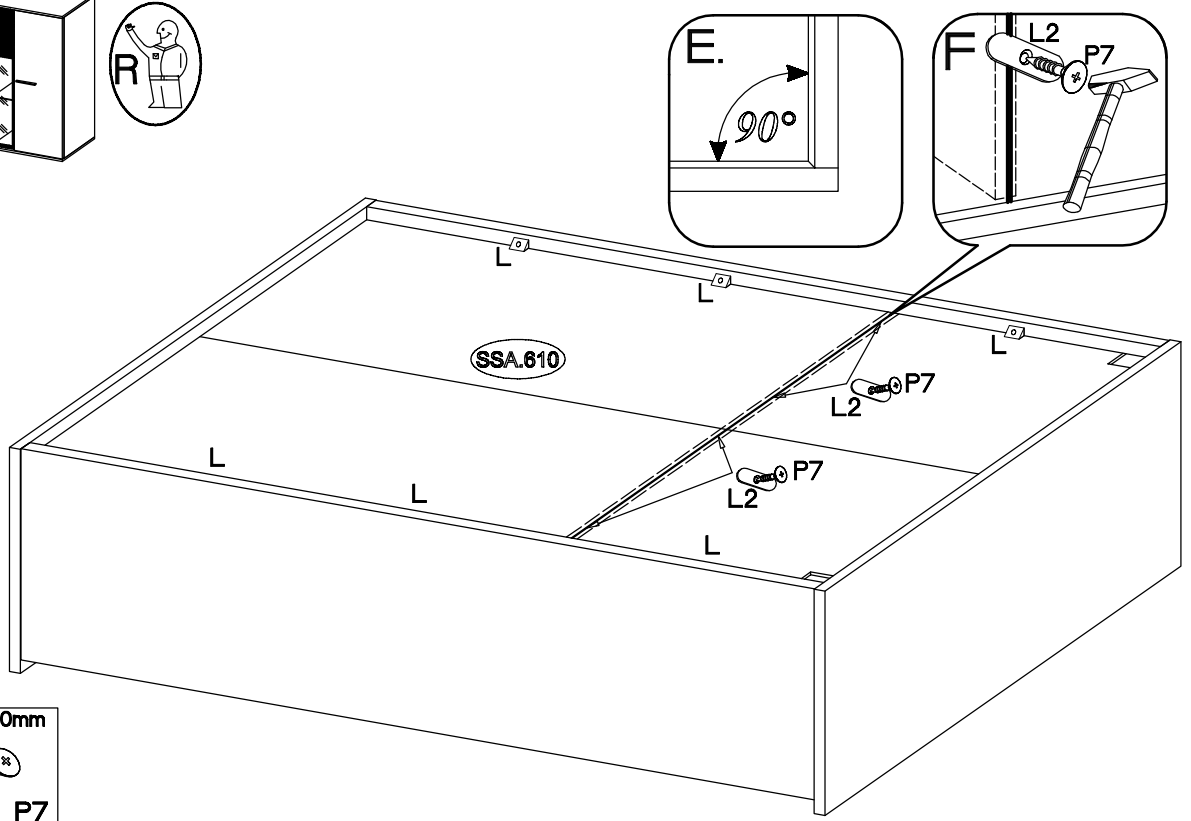
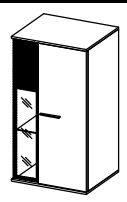
12



13



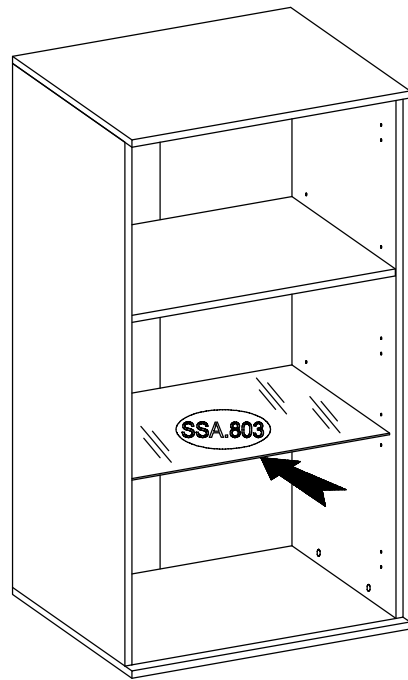
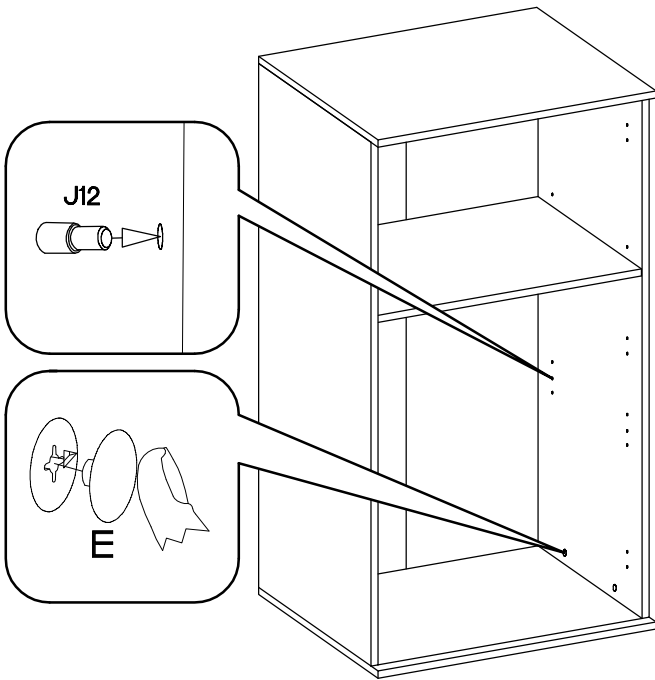
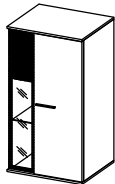
14



L	L2	P7
6	4	4

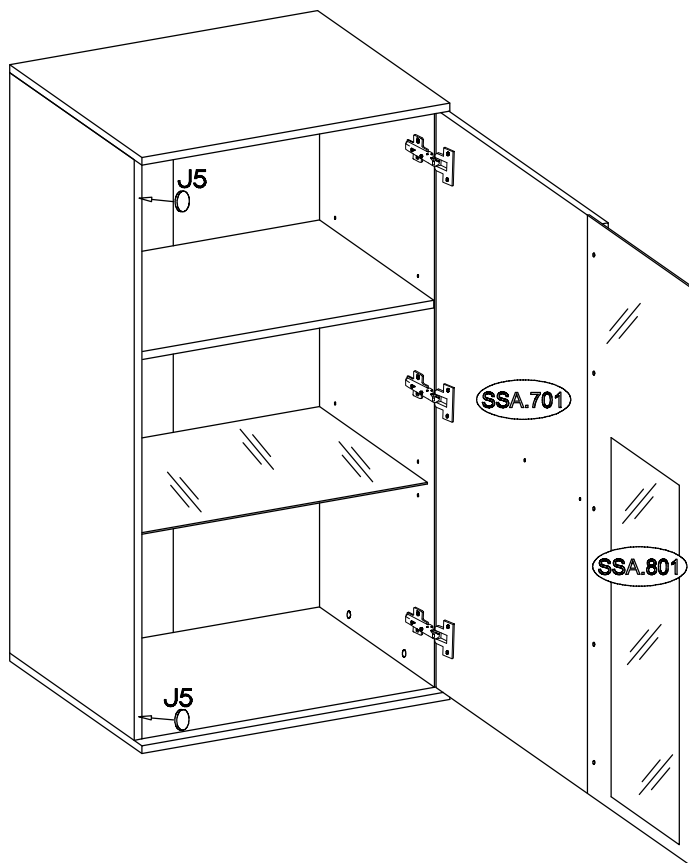
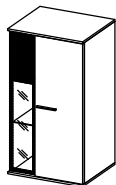
†3.0x20mm

15

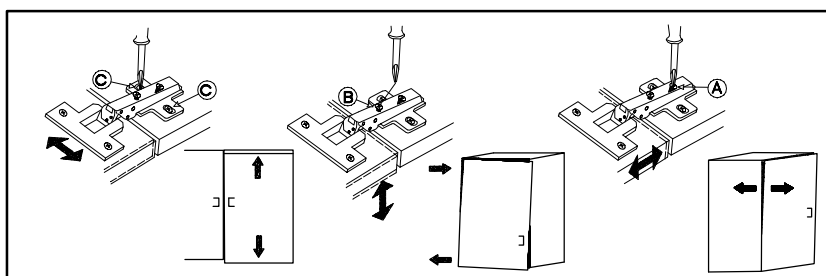
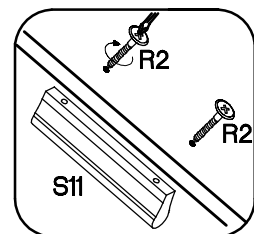
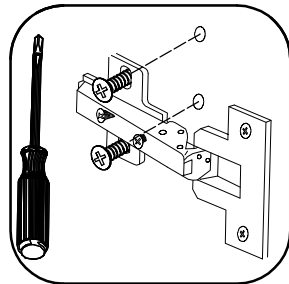





J12	E
4	12

16



J5	R2	S11
2	2	1



±5.0x60mm	±10x50mm	
		K16
P12	O7	
4	4	2

