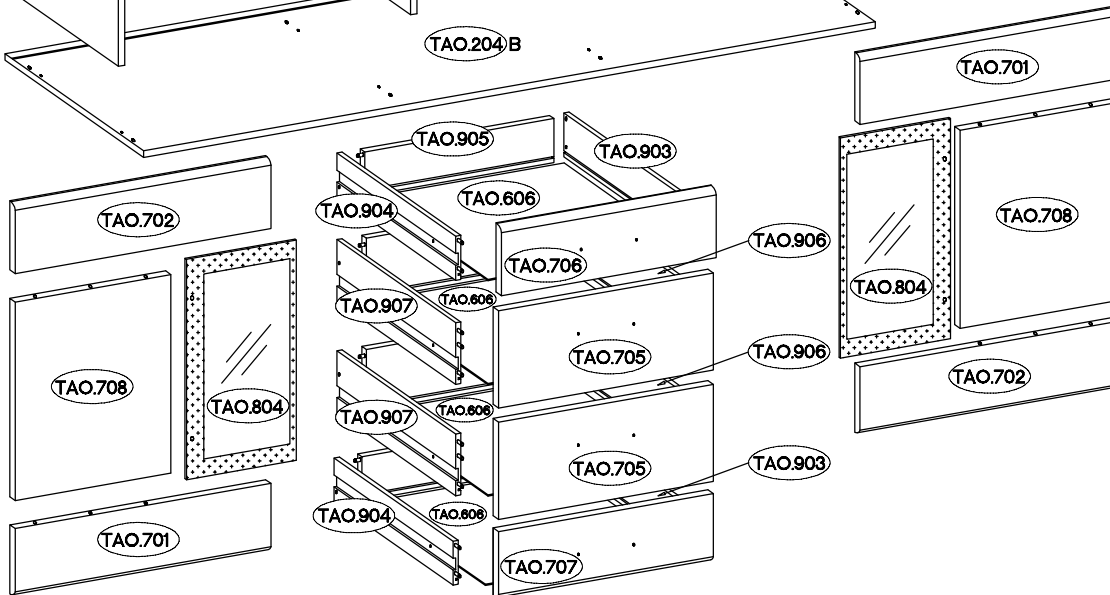






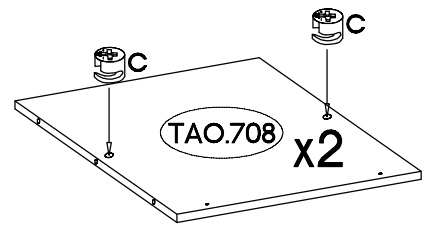
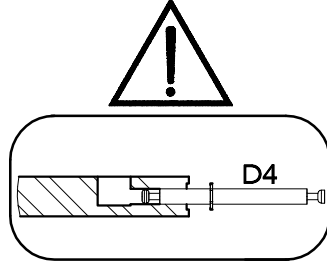
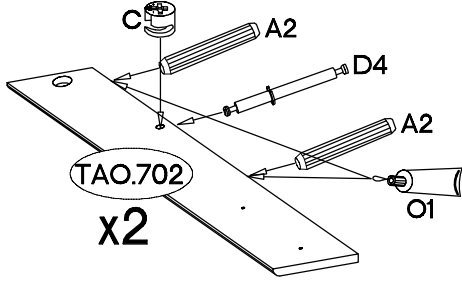
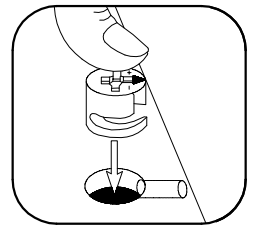
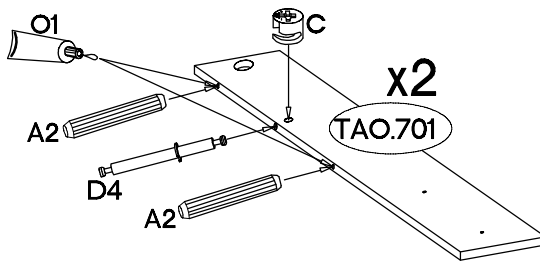
TAO.805 = max. 2kg
 TAO.204 = max. 10kg




L2												
10	16	4	8	8	1	10	4	4	4	9	8	4
+3.0x20mm	+6.3x13mm	27/310mm	M4x9mm	+8x60mm	0,05		+4.0x16mm	+7/4mm	L-56mm	+3.5x13mm		+35/0mm
P7	M2	I4	U1	A2	O11	J23	R11	J7	D4	P5	J12	G
10	16	4	8	8	1	10	4	4	4	9	8	4
L-20mm	+5/12mm	+8x30mm				+4.0x25mm	L-128mm	+4.0x30mm	+6x42mm	+10x50mm		H-0
D2	C	A	L	E	F10	P14	S1	R2	B2	O7	L9	H
16	24	48	10	16	6	6	6	12	8	1	1	4

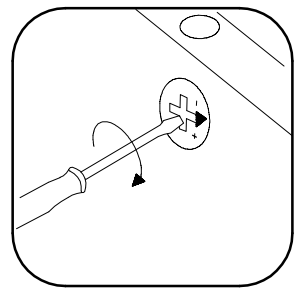
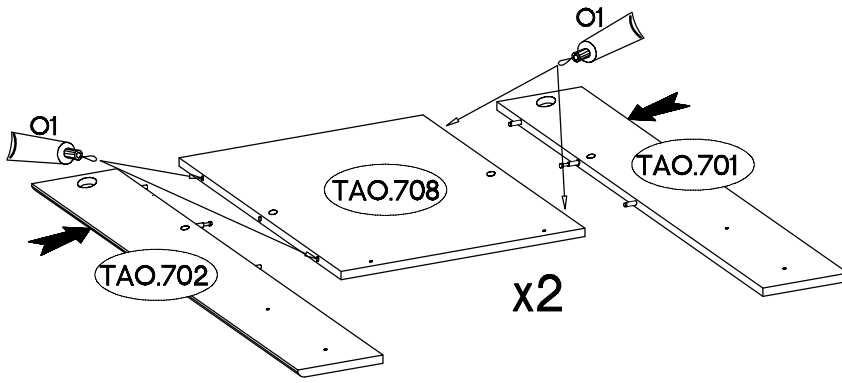
1

∅15/12mm  C	∅8x60mm  A2	0,05  O11	L=56mm  D4
8	8	1	4

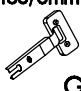




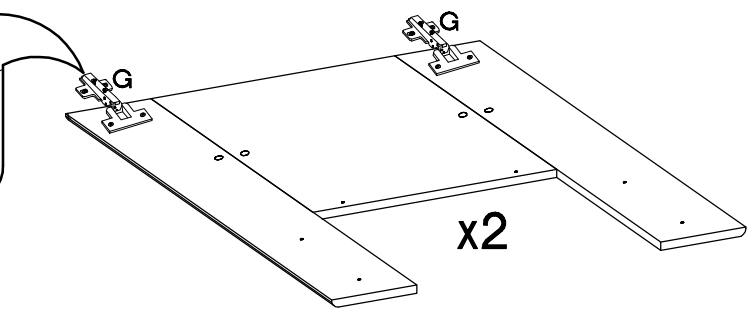
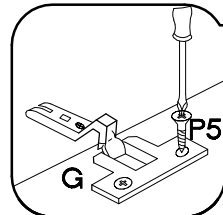
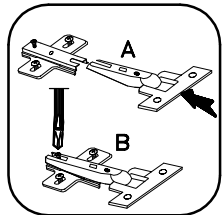
2

0,05  O11
1

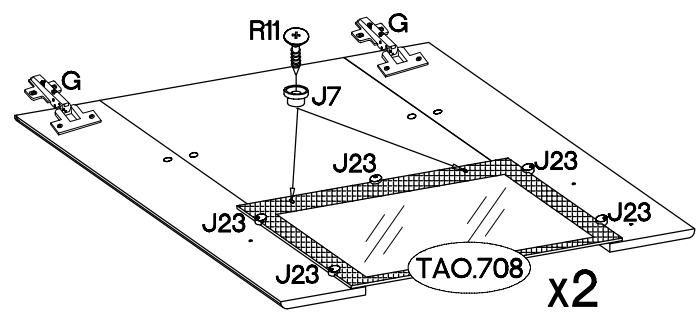
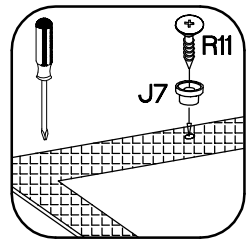
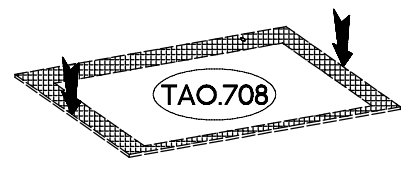
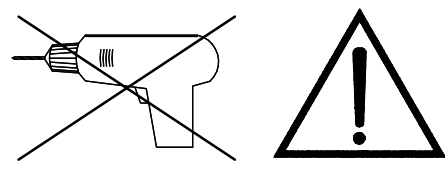
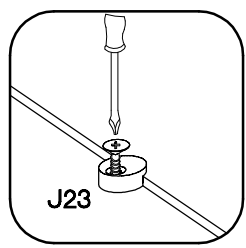





3

∅35/0mm  G	
4	
∅3.5x13mm  P5	H=0  H
8	4

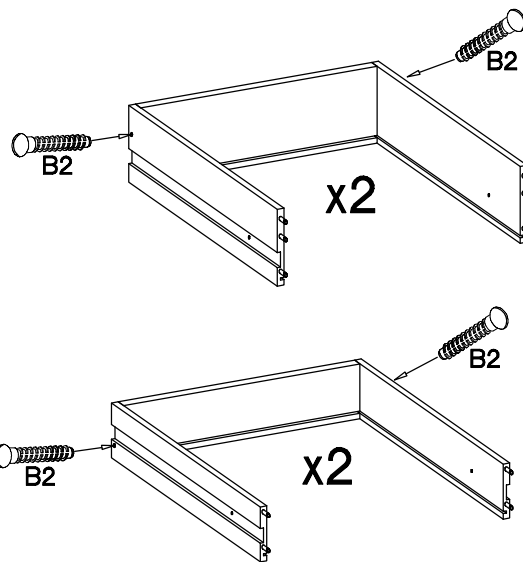
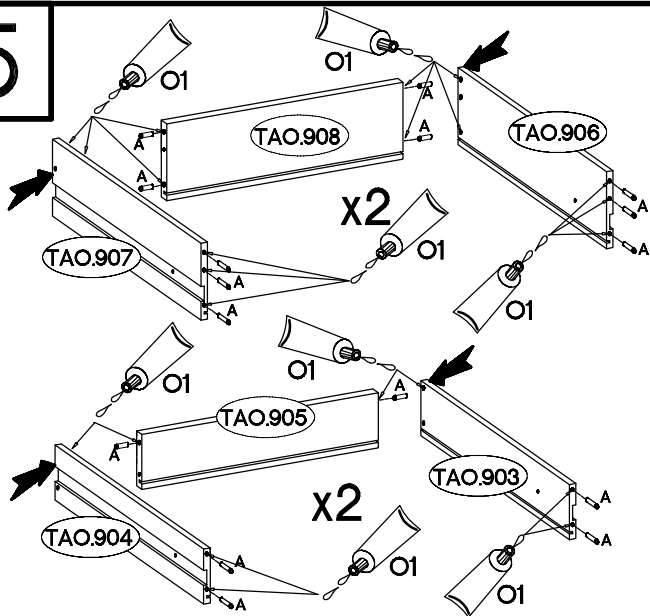


4



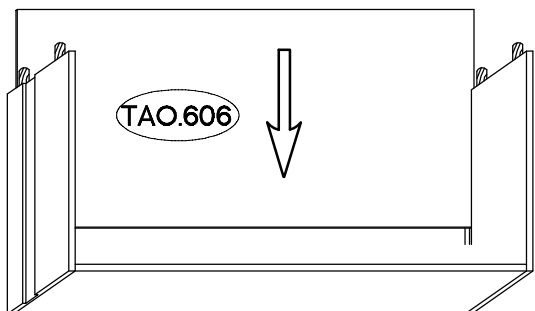
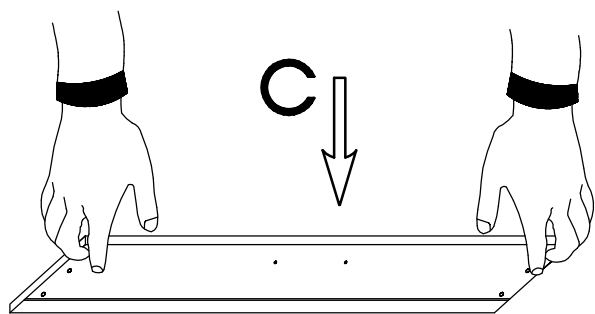
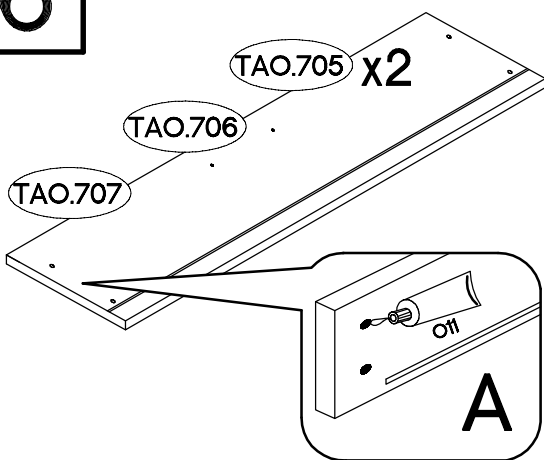
 J23	
10	
∅4.0x16mm  R11	∅7/4mm  J7
4	4

5

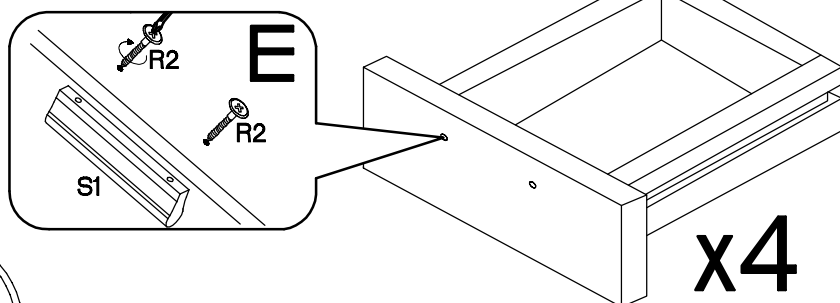
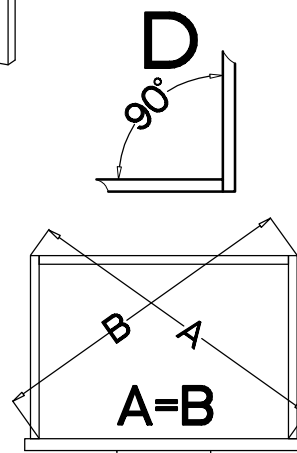
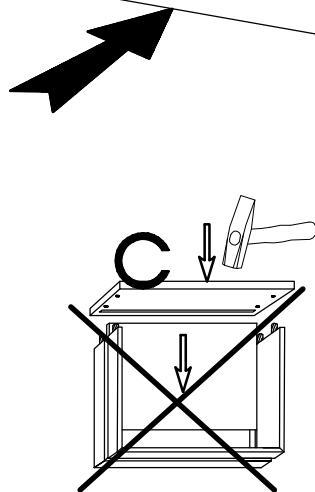
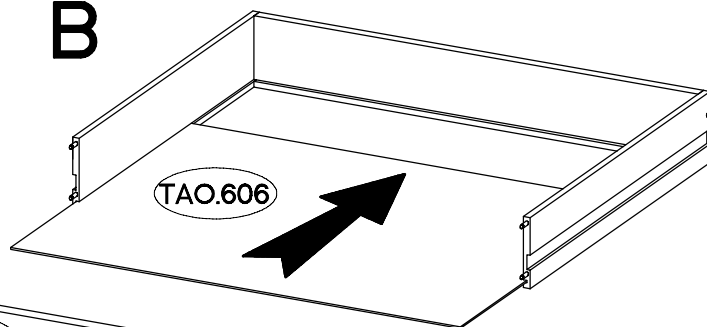


0,05		O11
1		+6x42mm
		B2
8		+8x30mm
		A
32		

6










B

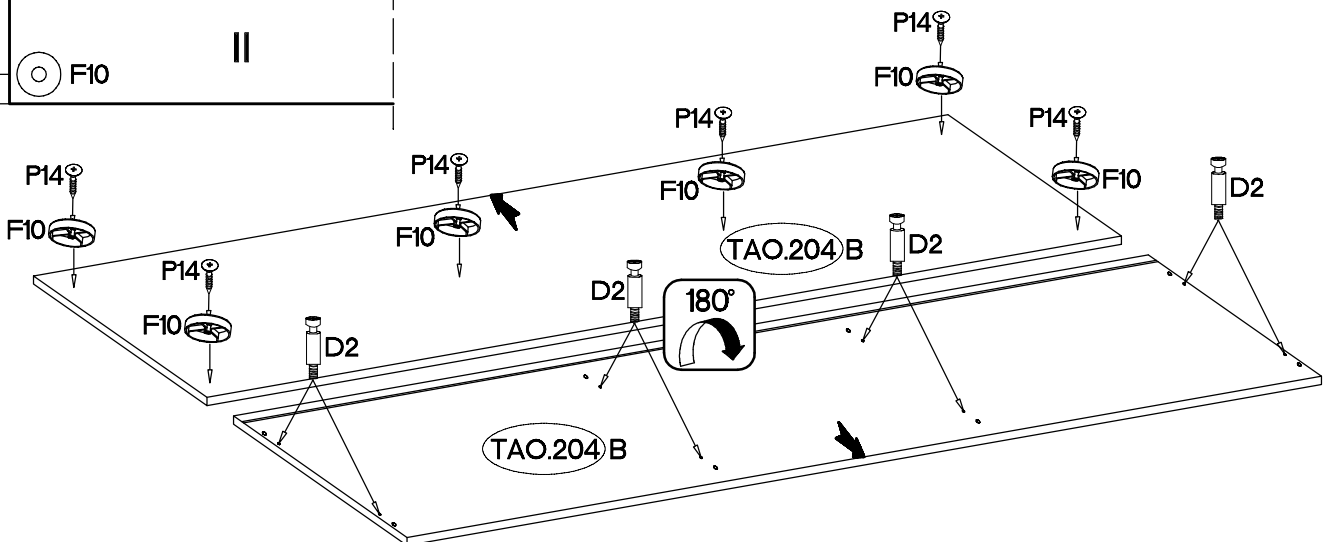
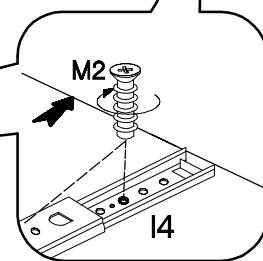
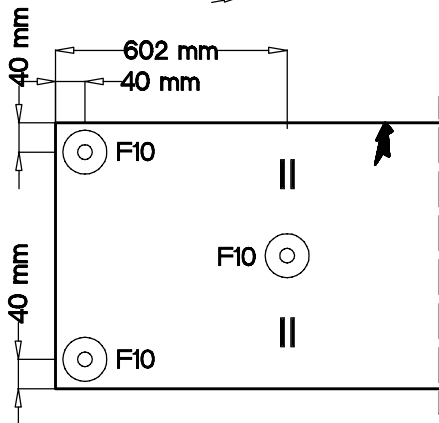
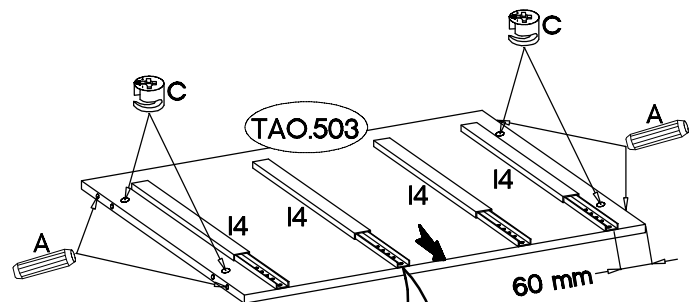
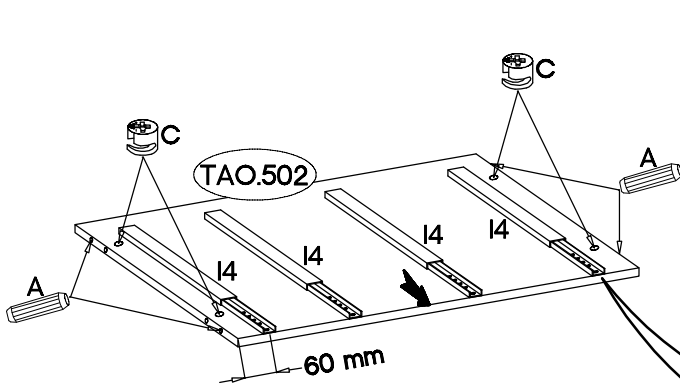
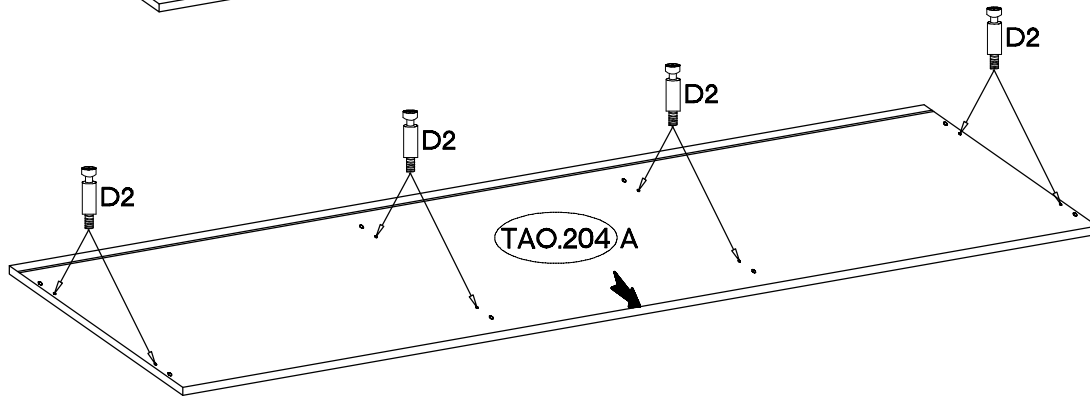
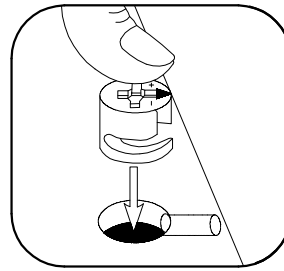
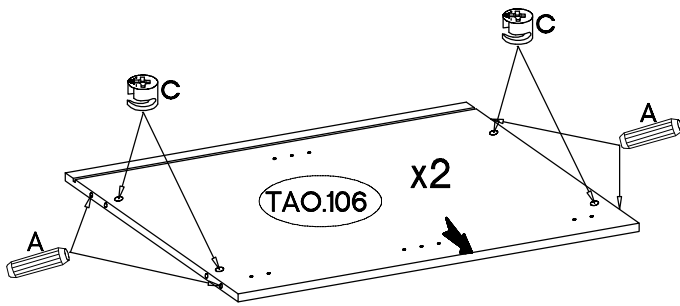
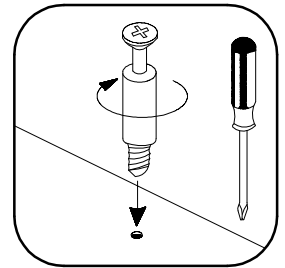


L=128mm	+4.0x30mm	0,05
S1	R2	O11
4	8	1

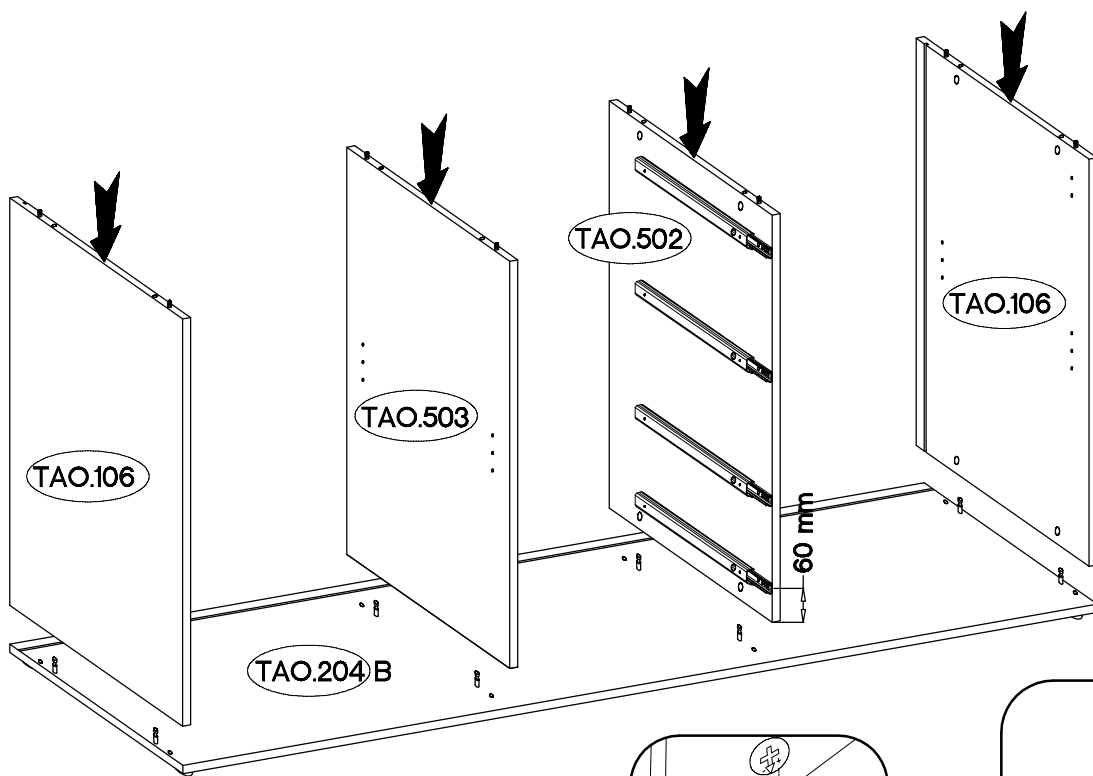


x4

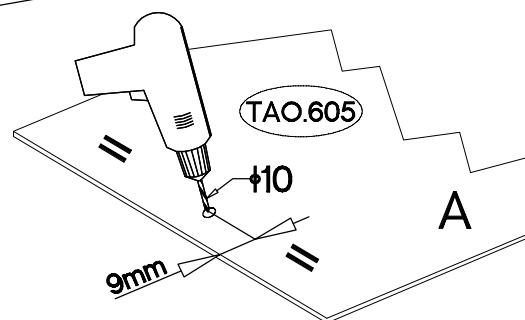
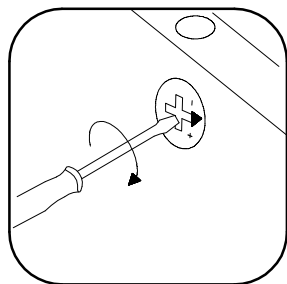
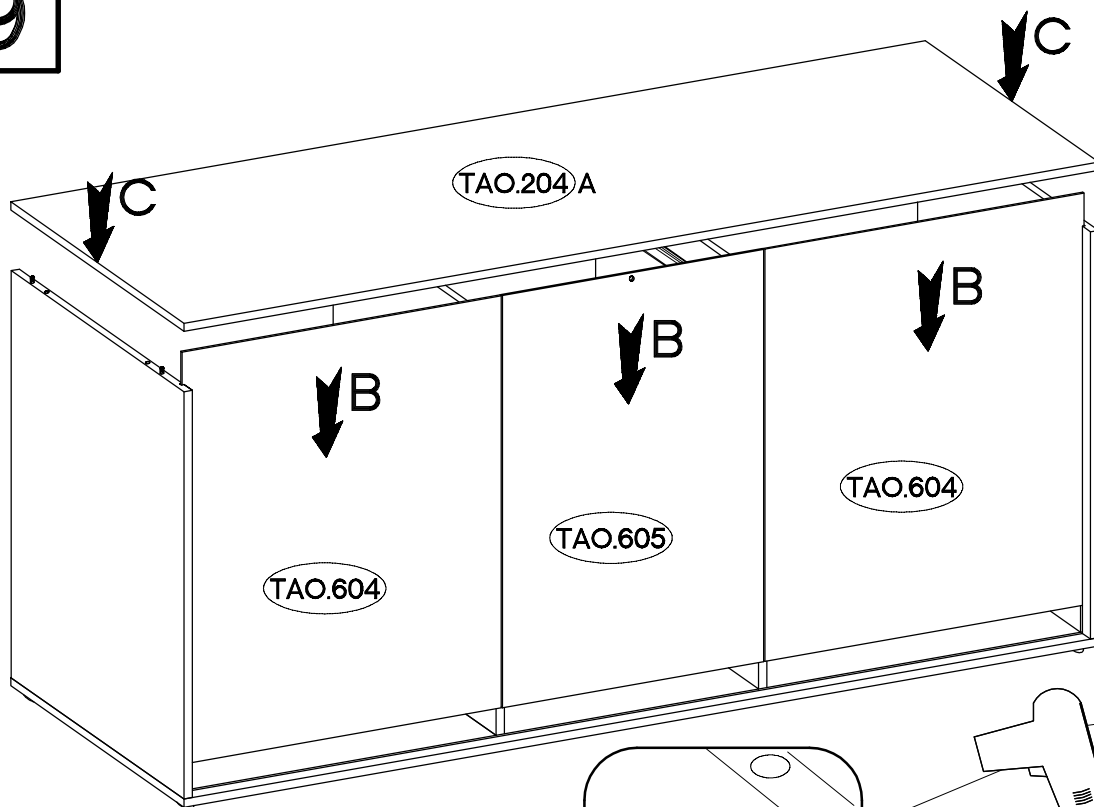
L=20mm  D2 16	∅5/12mm  C 16	∅8x30mm  A 16	 F10 6	∅4.0x25mm  P14 6	∅6,3x13mm  M2 16	27/30mm  I4 4
--	--	--	--	---	---	--



8

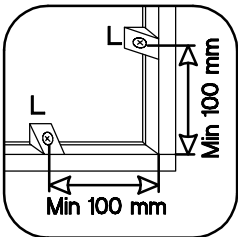
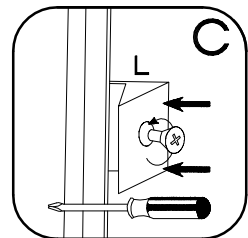
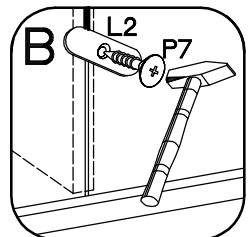
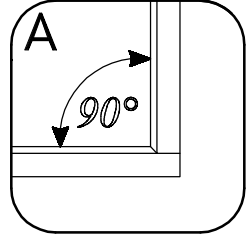
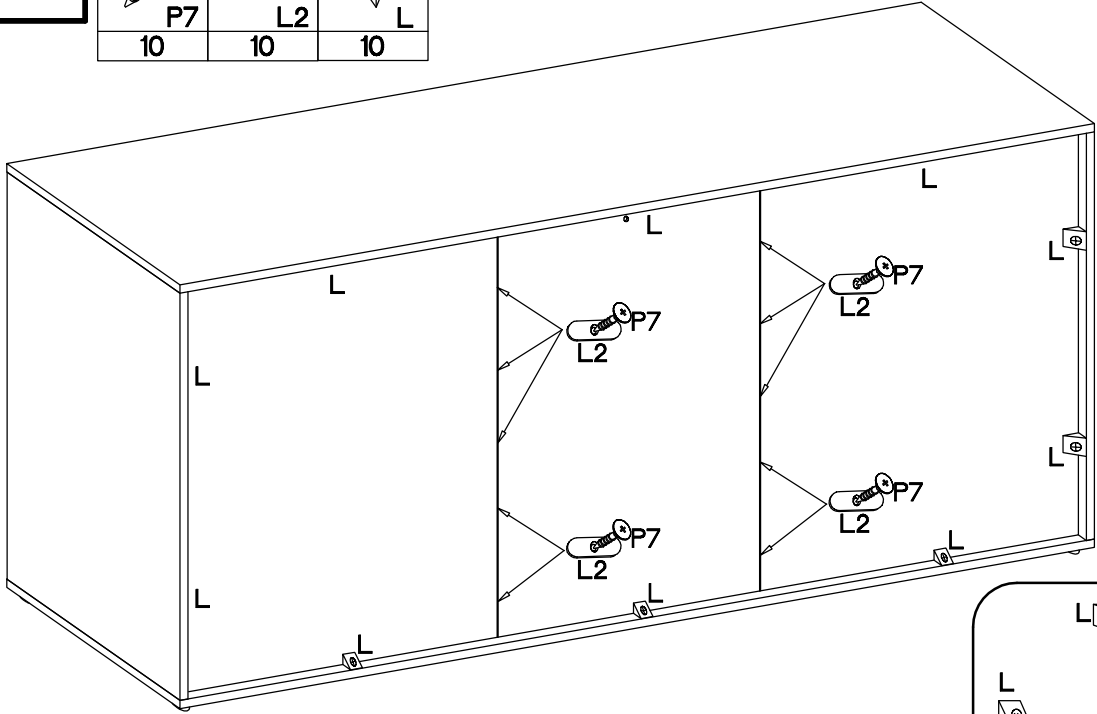


9



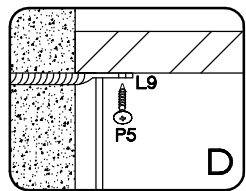
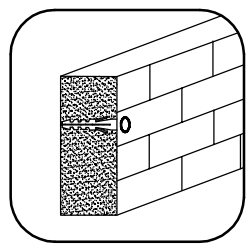
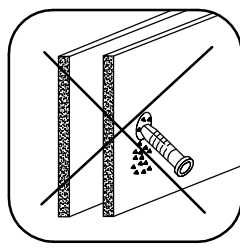
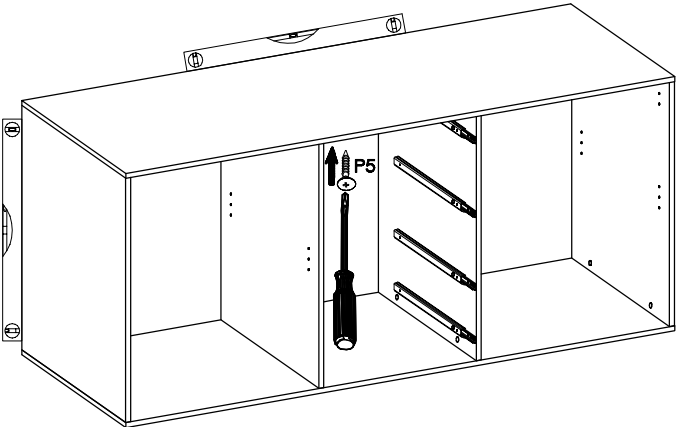
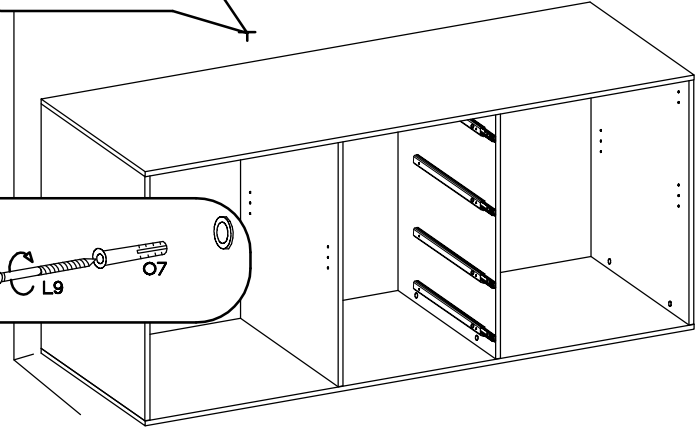
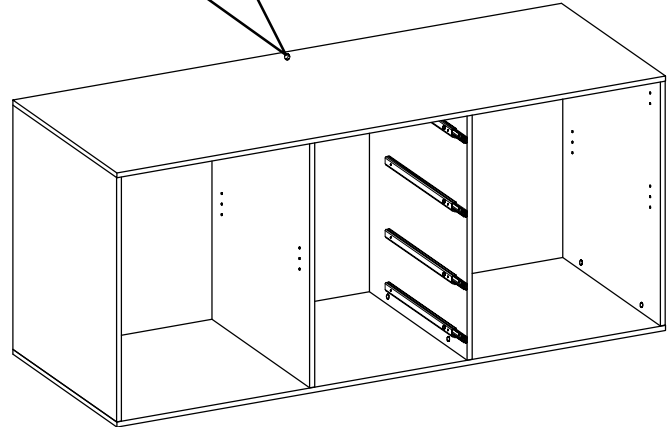
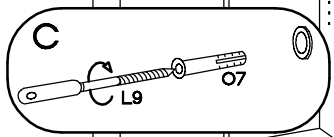
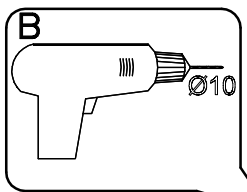
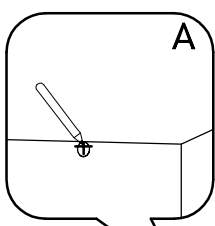
10

$\varnothing 3.0 \times 20 \text{ mm}$		
	L2	L
10	10	10



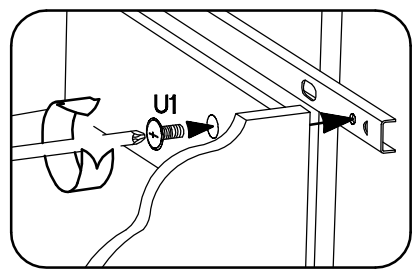
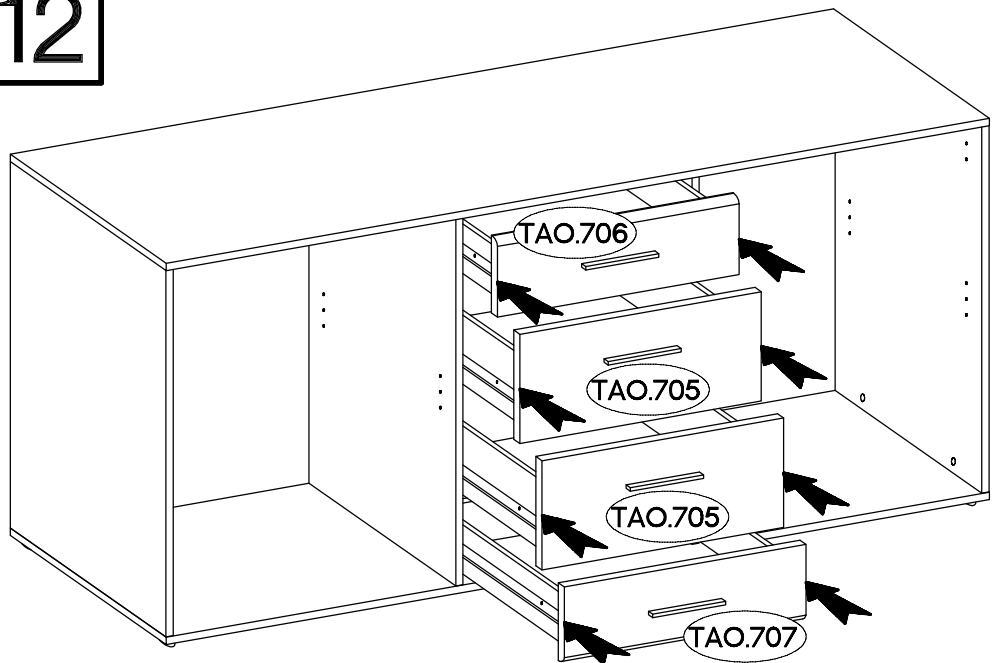
11

$\varnothing 3.5 \times 13 \text{ mm}$	$\varnothing 10 \times 50 \text{ mm}$	
	O7	L9
1	1	1



12

M4x9mm
U1
8



13

L=128mm	4.0x30mm		
S1	R2	E	J12
2	4	16	8

