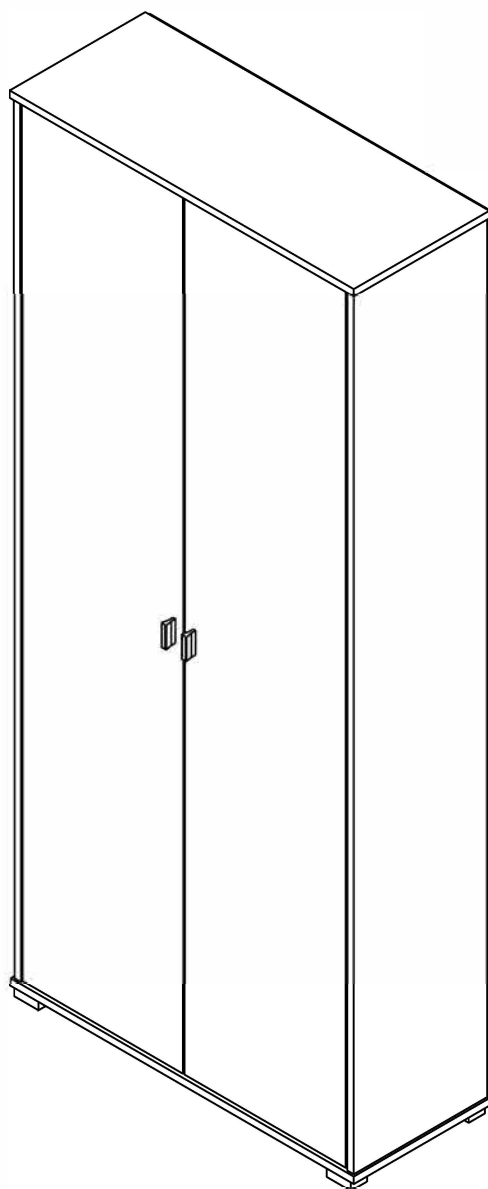




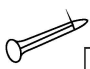











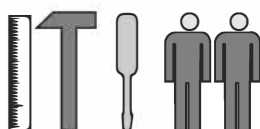


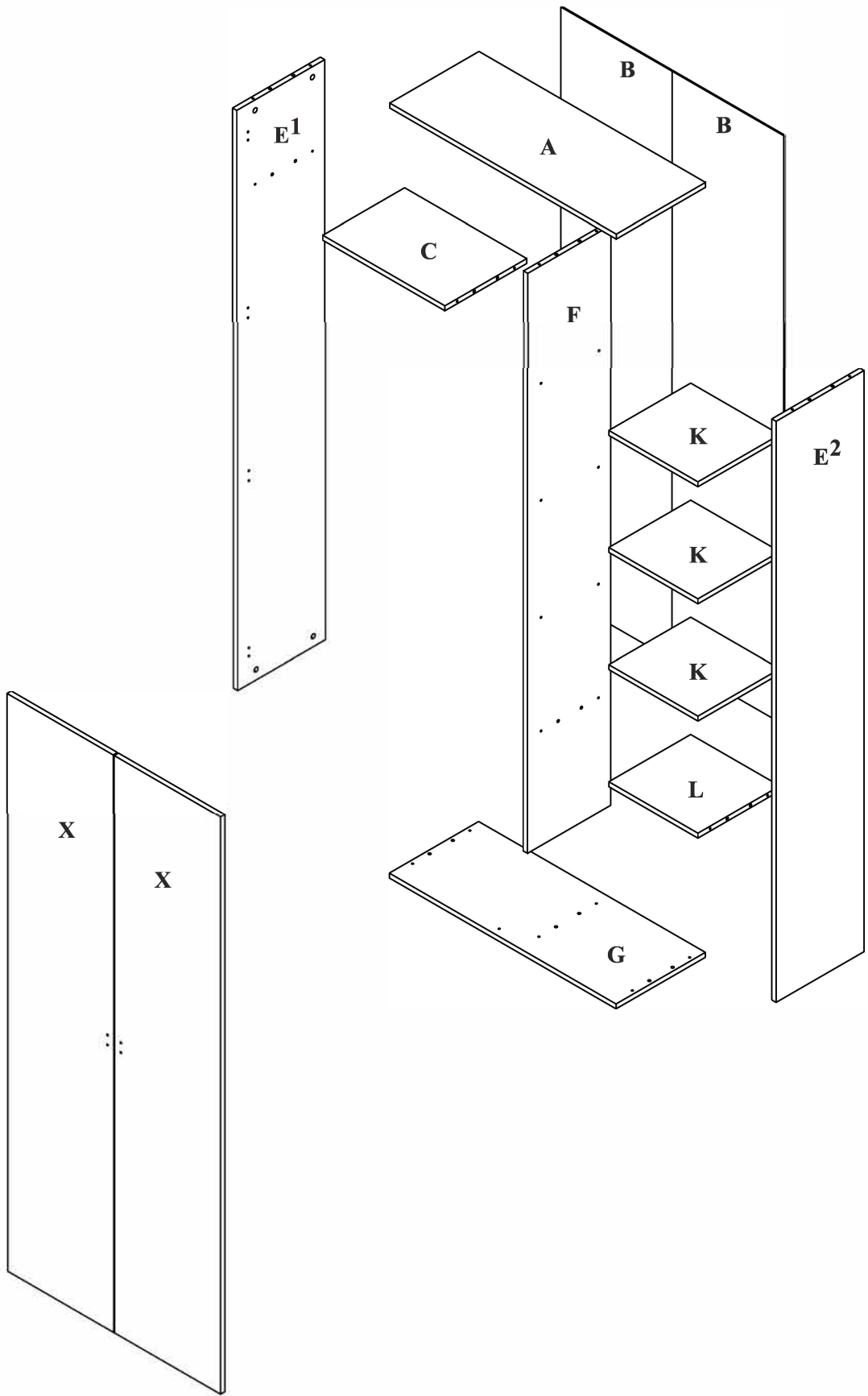
# A05




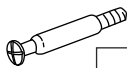


1  x20	2  15x12 x12	3  8x35 x20	4  4x28 x4	5  x80
7  x13	8  3,5x16 x20	3  x20	10  x2	16  x4
13  x8	14  x1	15  x8	6  x1	12  x1
9  15x16 x8				

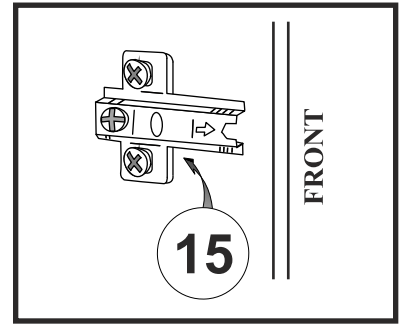
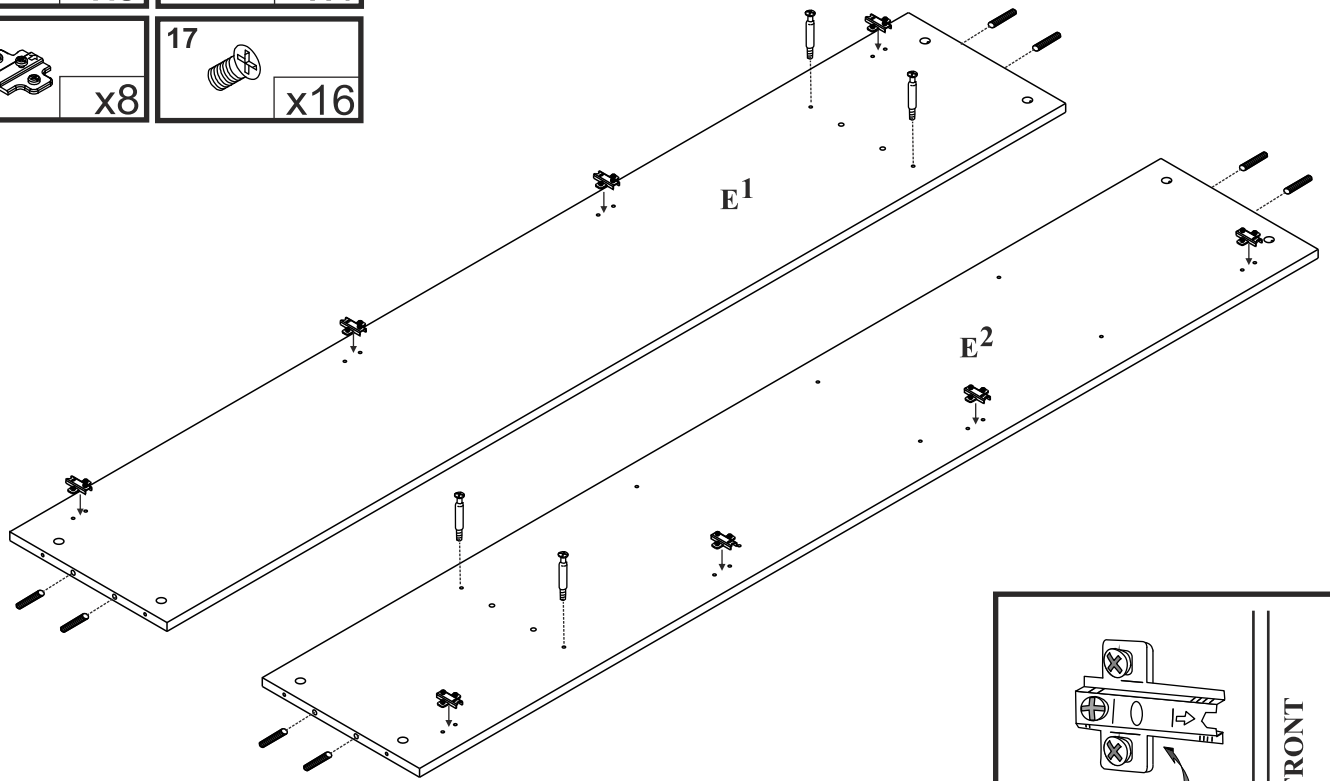
140 min.




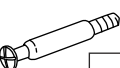


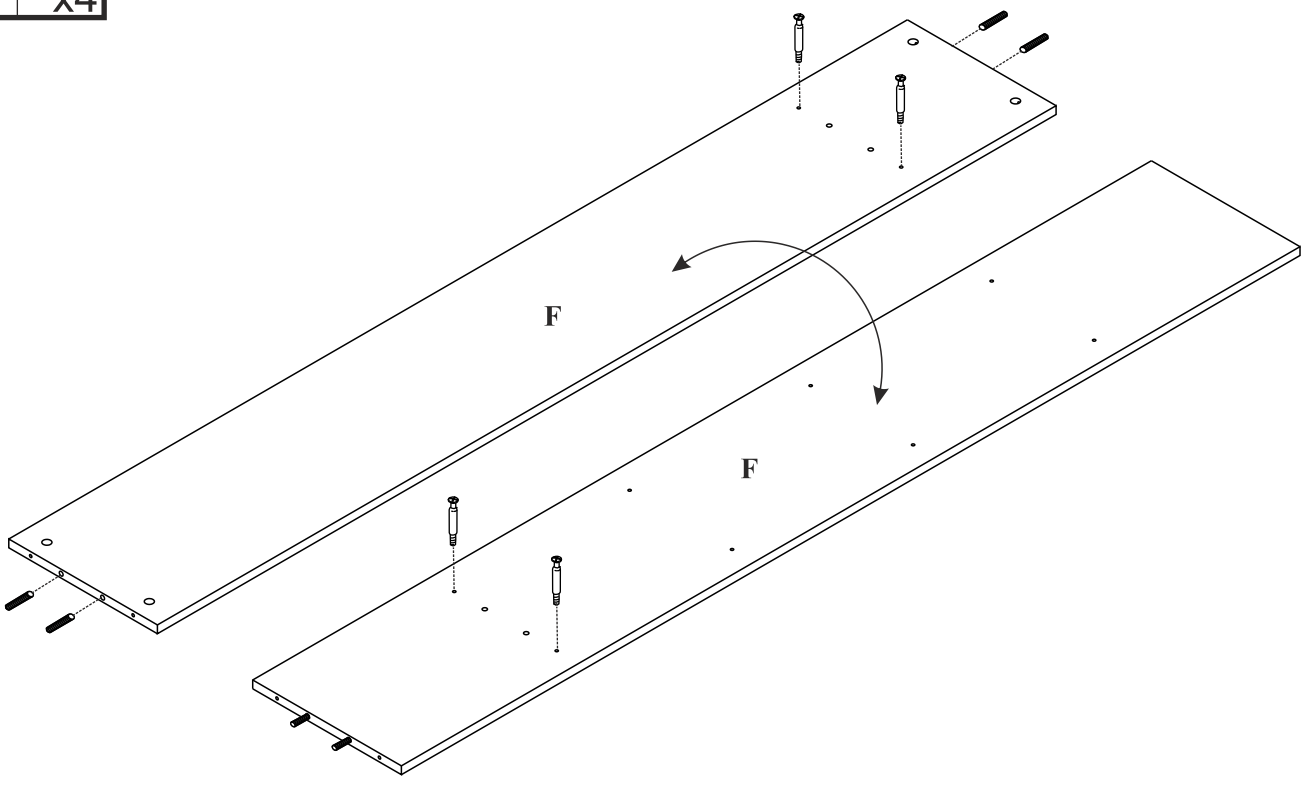
1

3	8x35	1
	x8	
15	x8	17
		
		x16



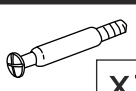
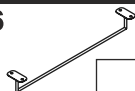


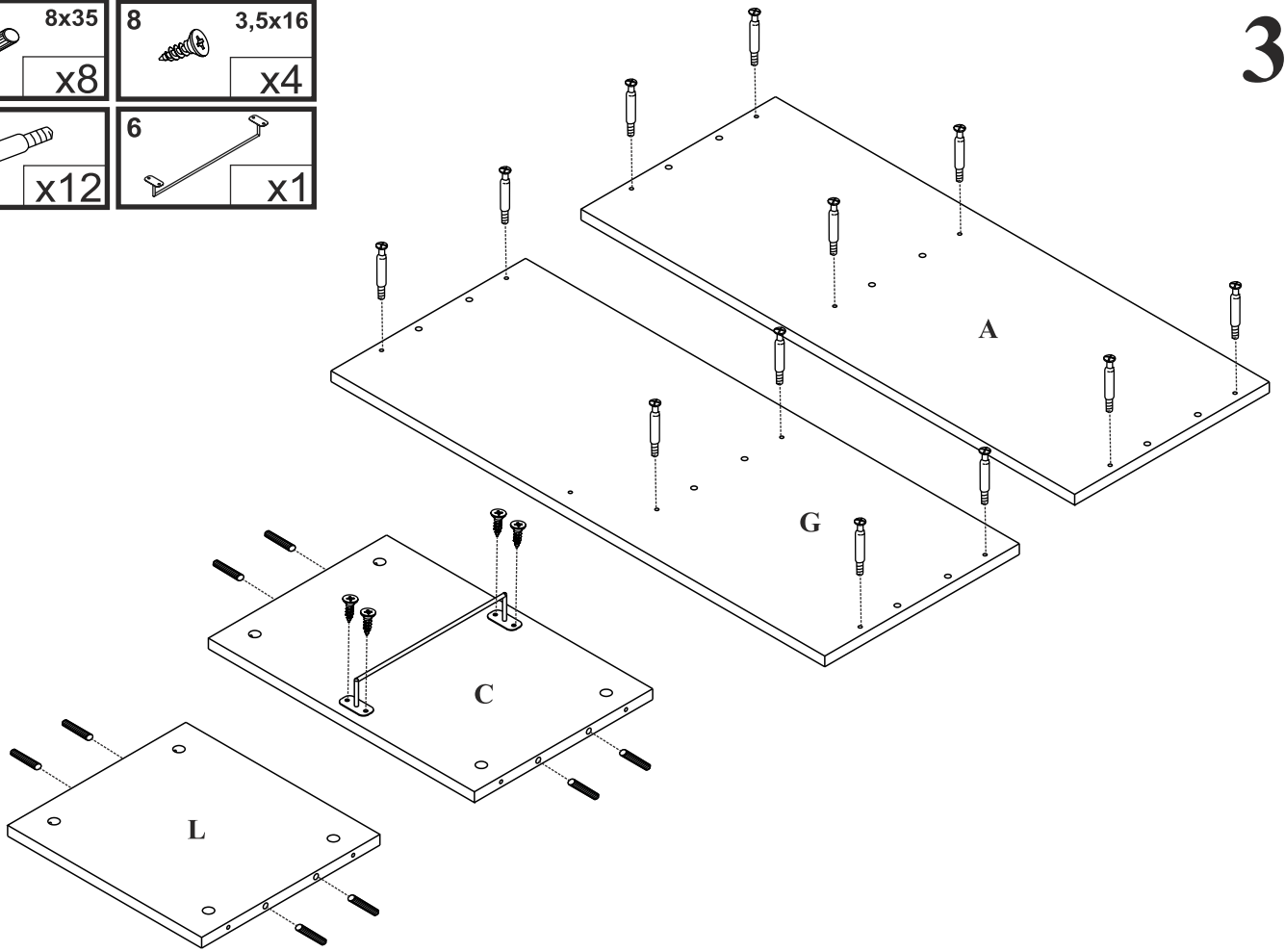
2

3	8x35
	x4
1	x4
	






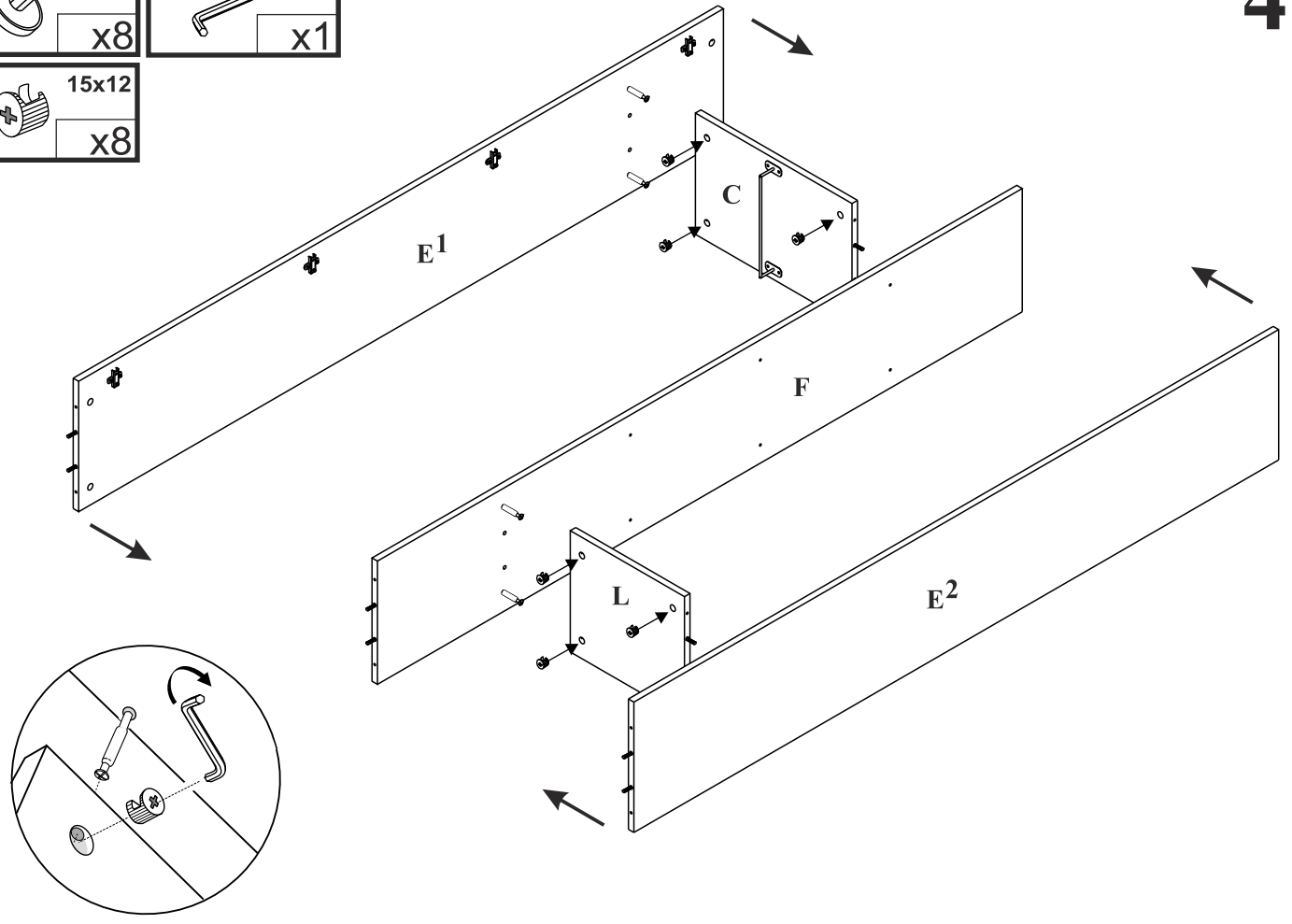
3




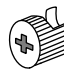
- |   |      |   |        |
|---|------|---|--------|
| 3   | 8x35 | 8   | 3,5x16 |
|  | x8   |  | x4     |
| 1   |      | 6   |        |
|  | x12  |  | x1     |

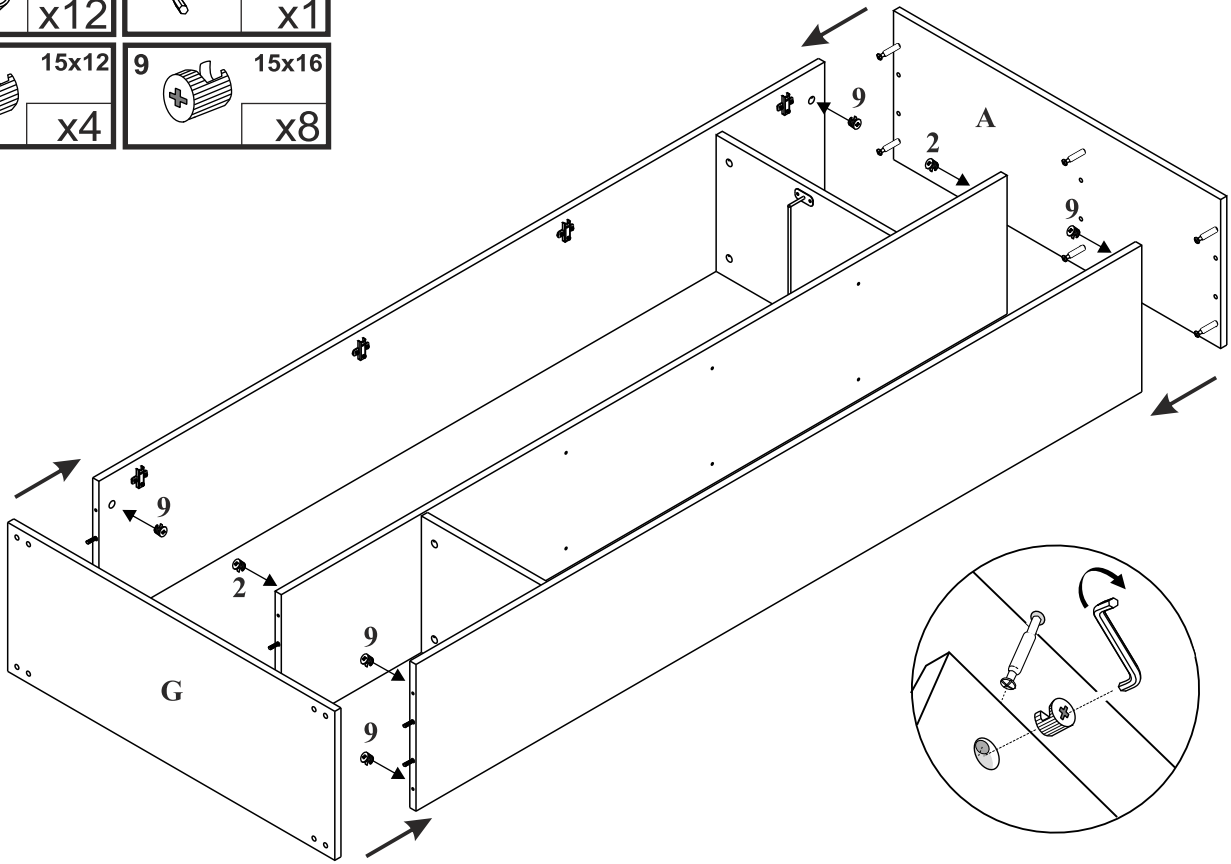


4

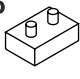
- |   |       |   |    |
|---|-------|---|----|
| 3   |       | 12  |    |
|  | x8    |  | x1 |
| 2   | 15x12 |   |    |
|  | x8    |   |    |

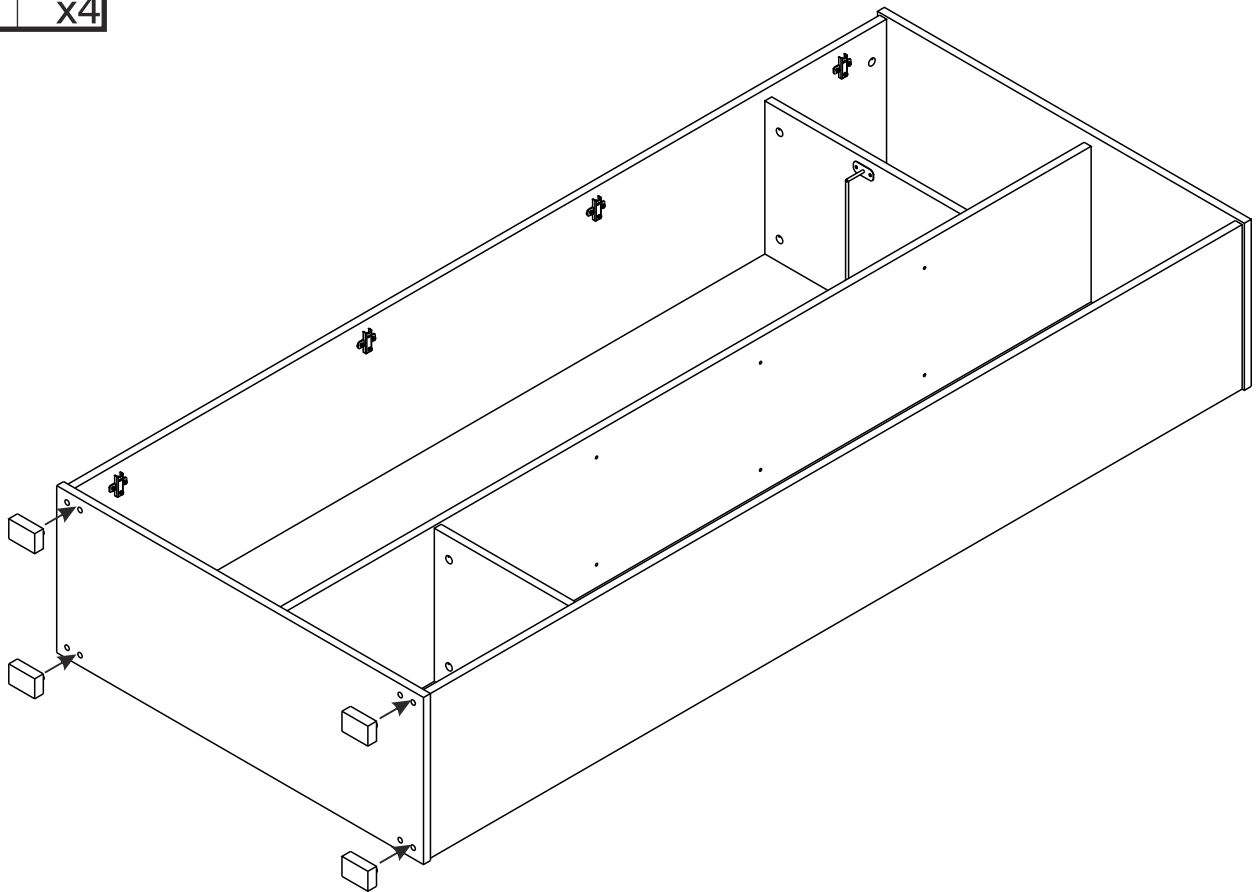


3		x12	12		x1
2		15x12	9		15x16
		x4			x8

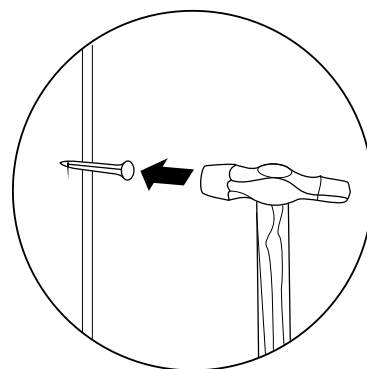
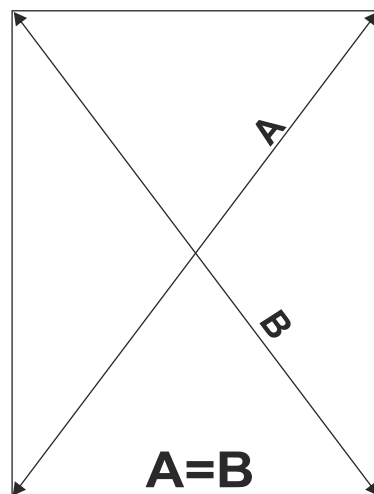
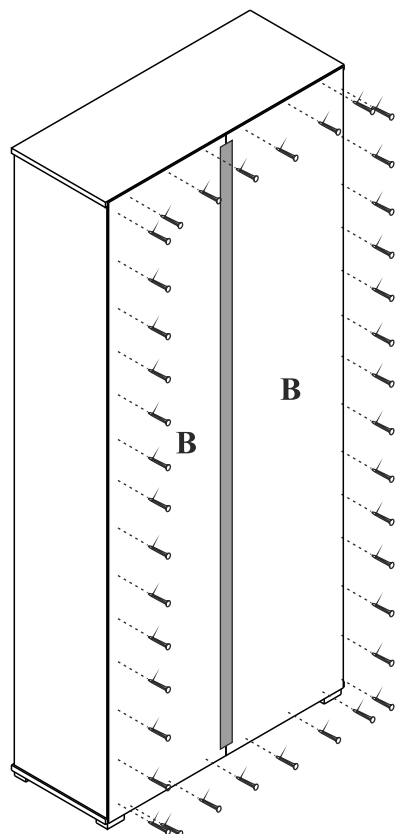
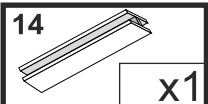


5

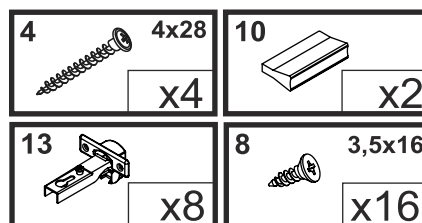
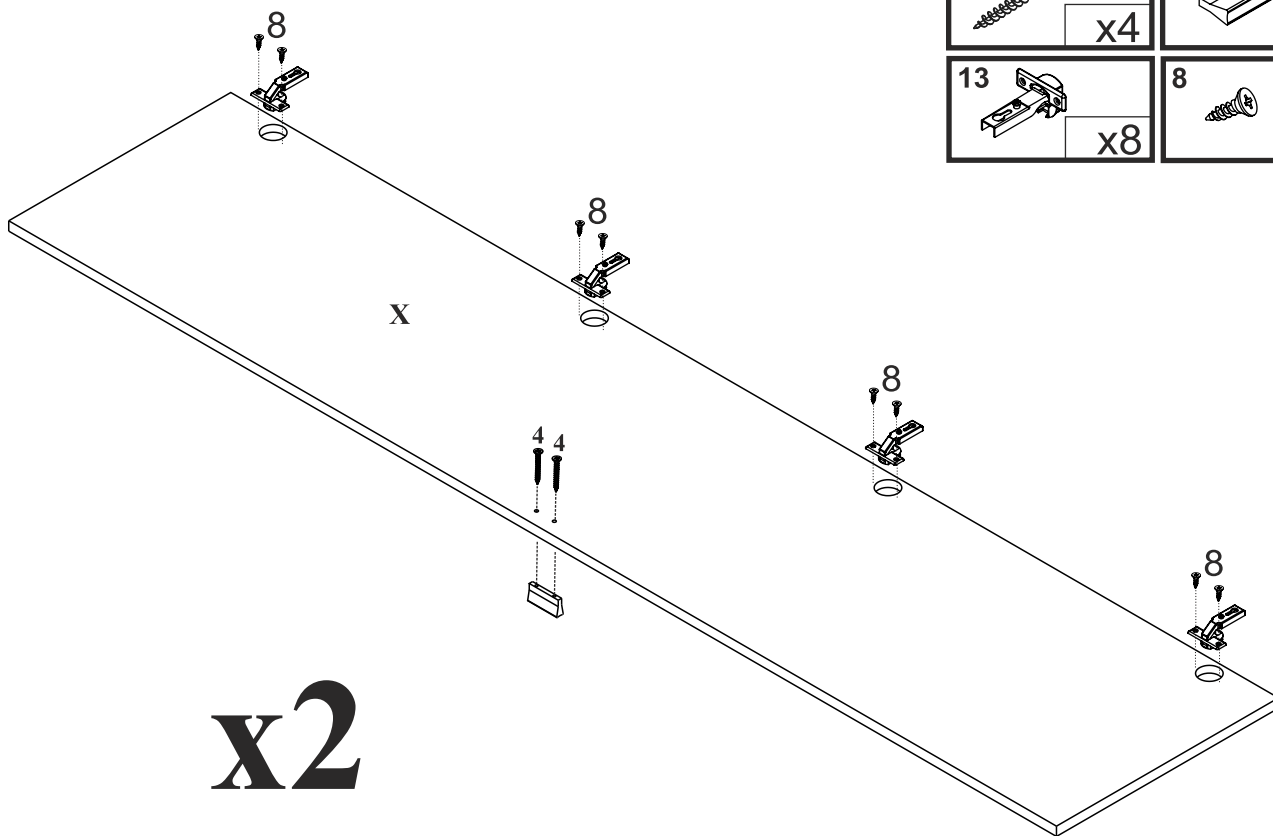
16		x4
----	---	----



6

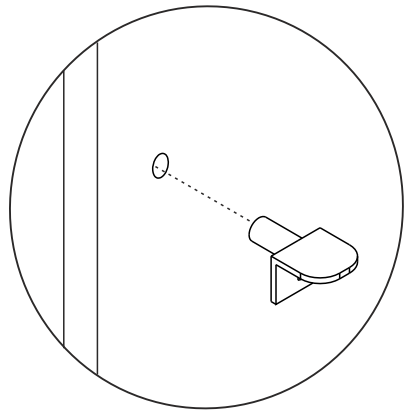
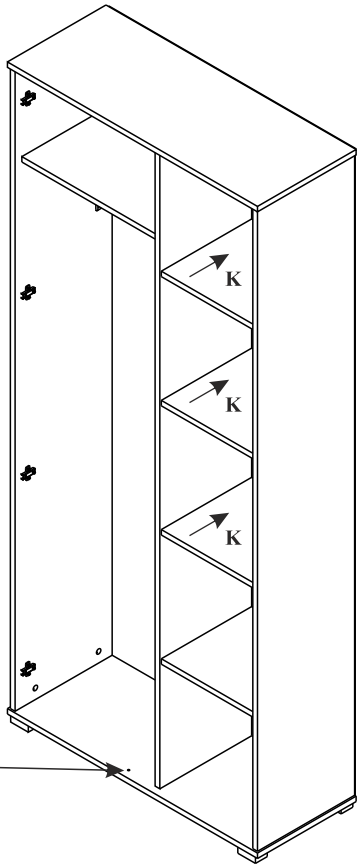
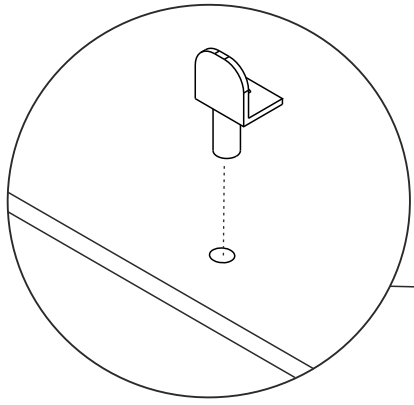


7

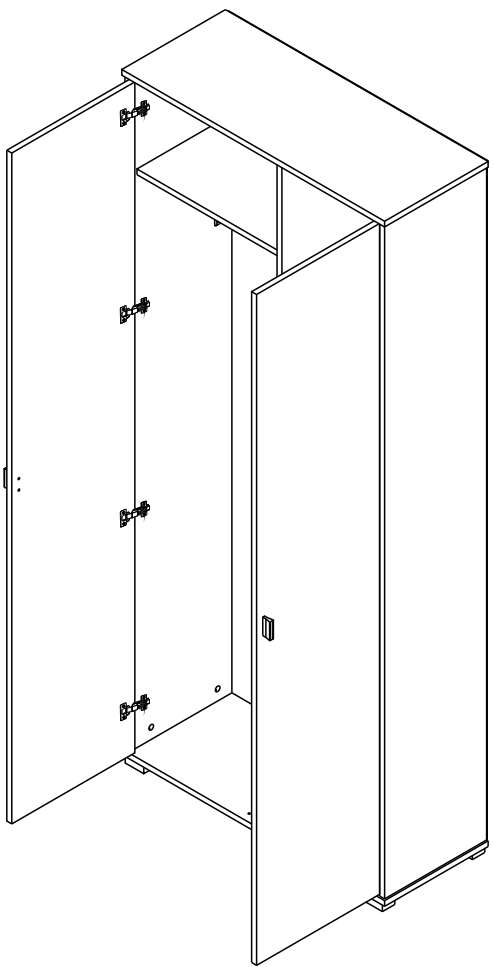
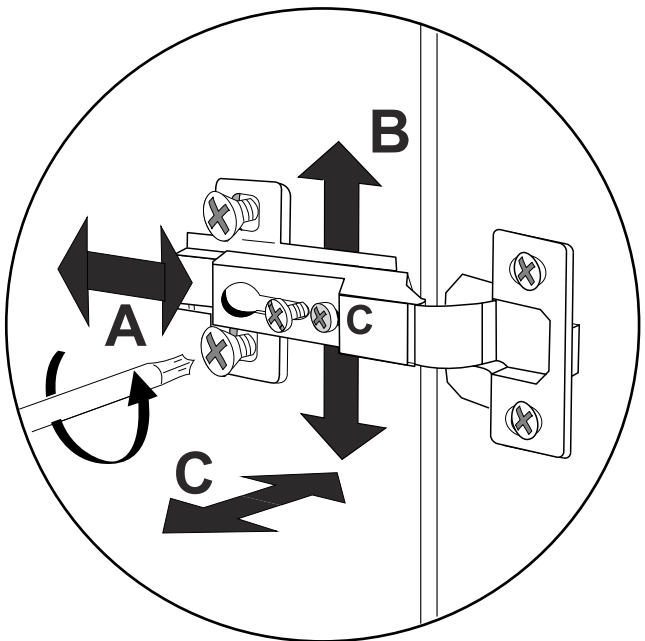


8

7  
x13



9



10