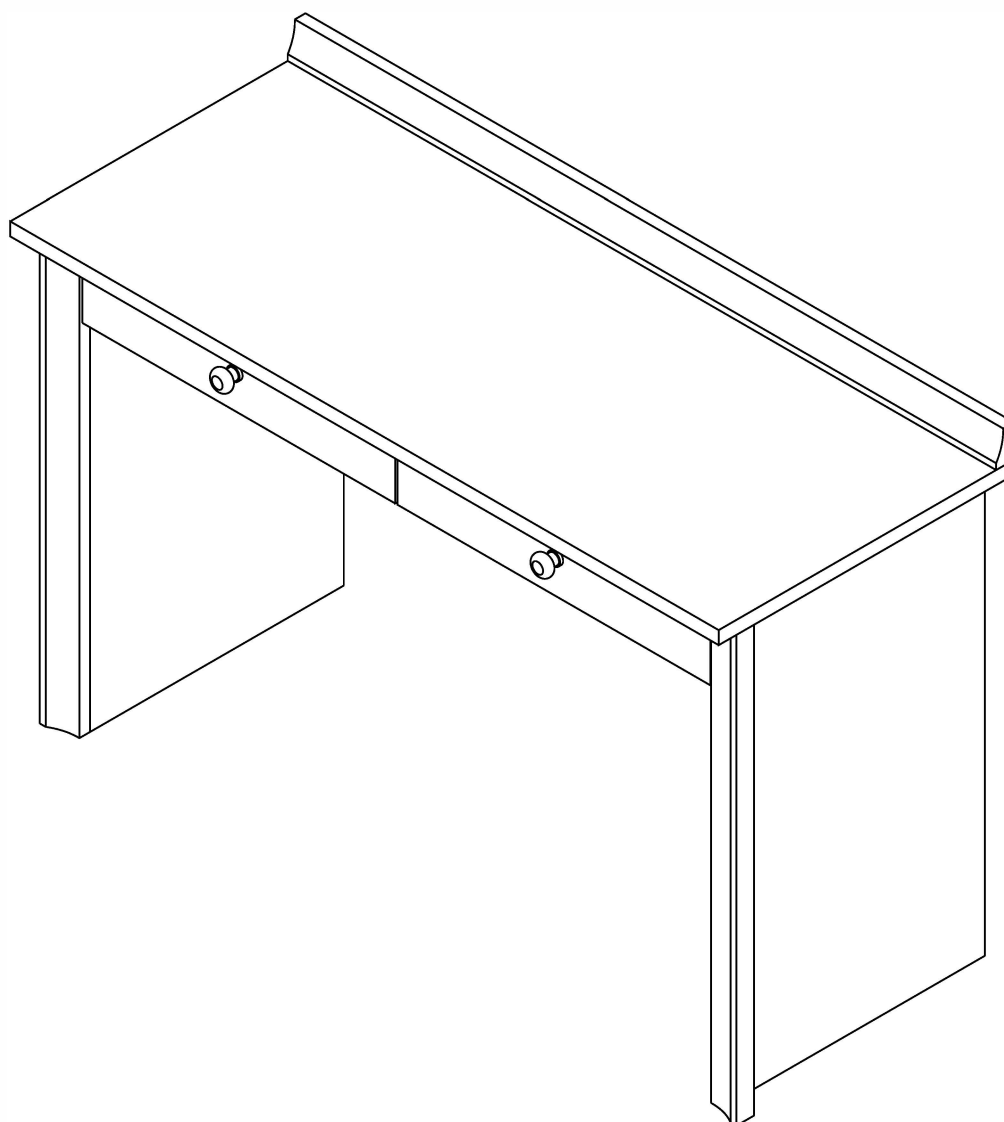






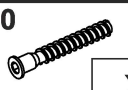




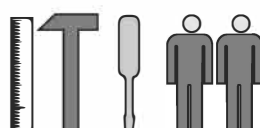


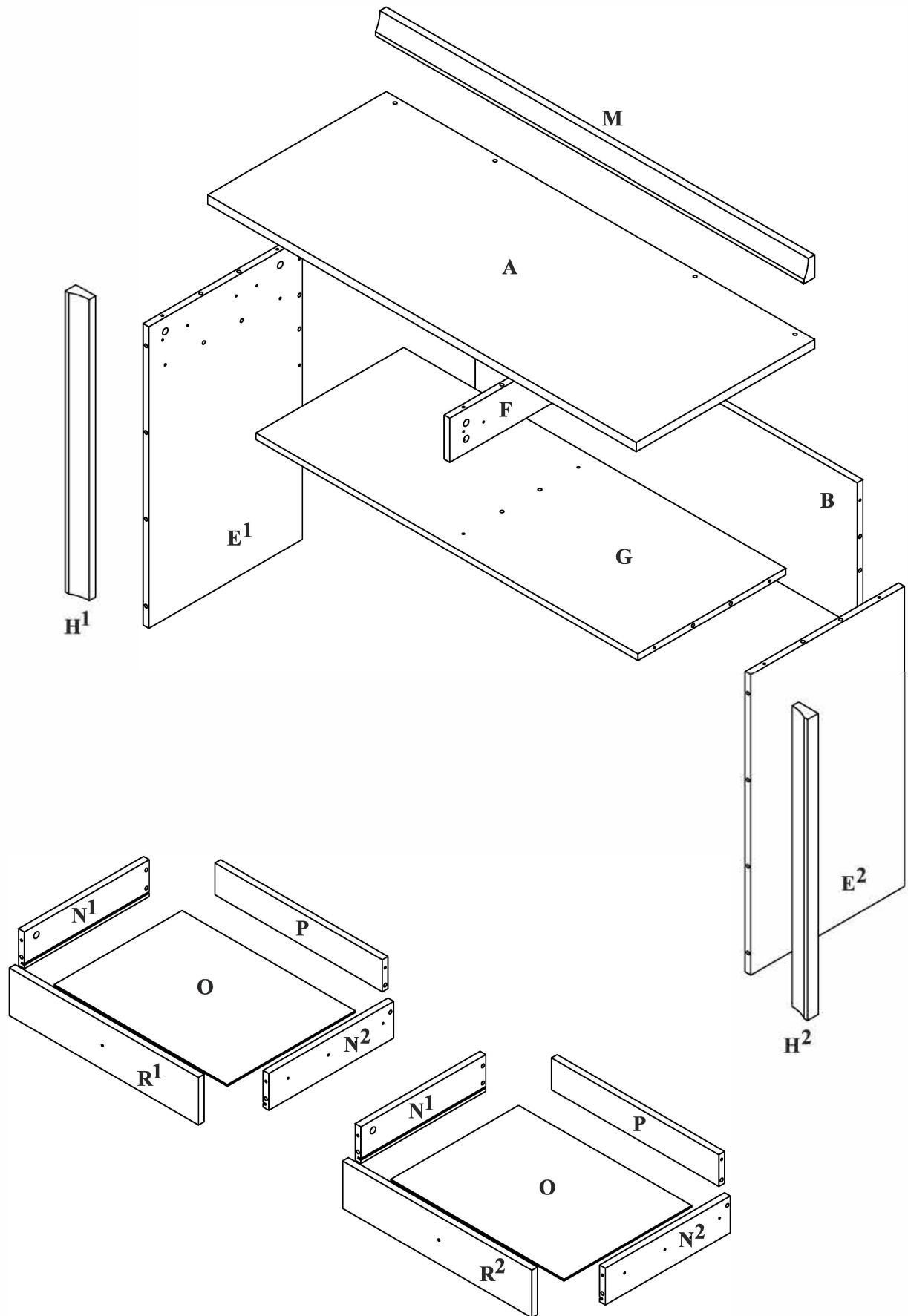
F15

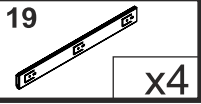


1  x20	2  x20	3  8x35 x36	4  4x22 x2	5  x10	19  x4
20  x4	8  3,5x16 x28	12  x1	10  x2	11  x1	

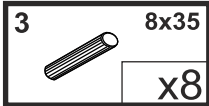
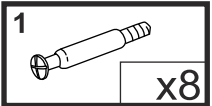
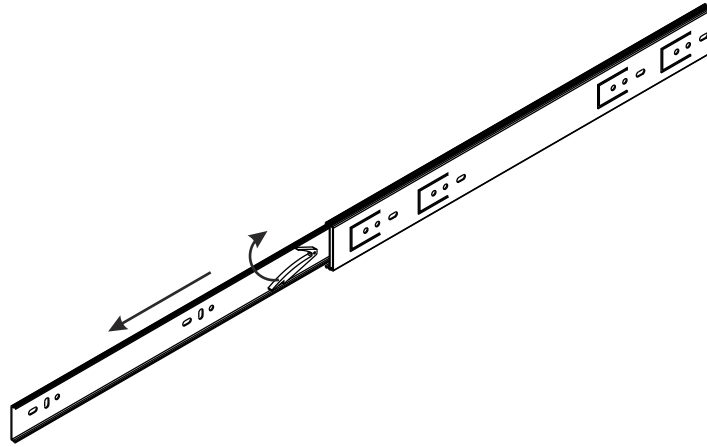
60 min.



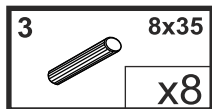
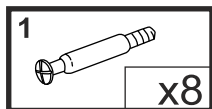
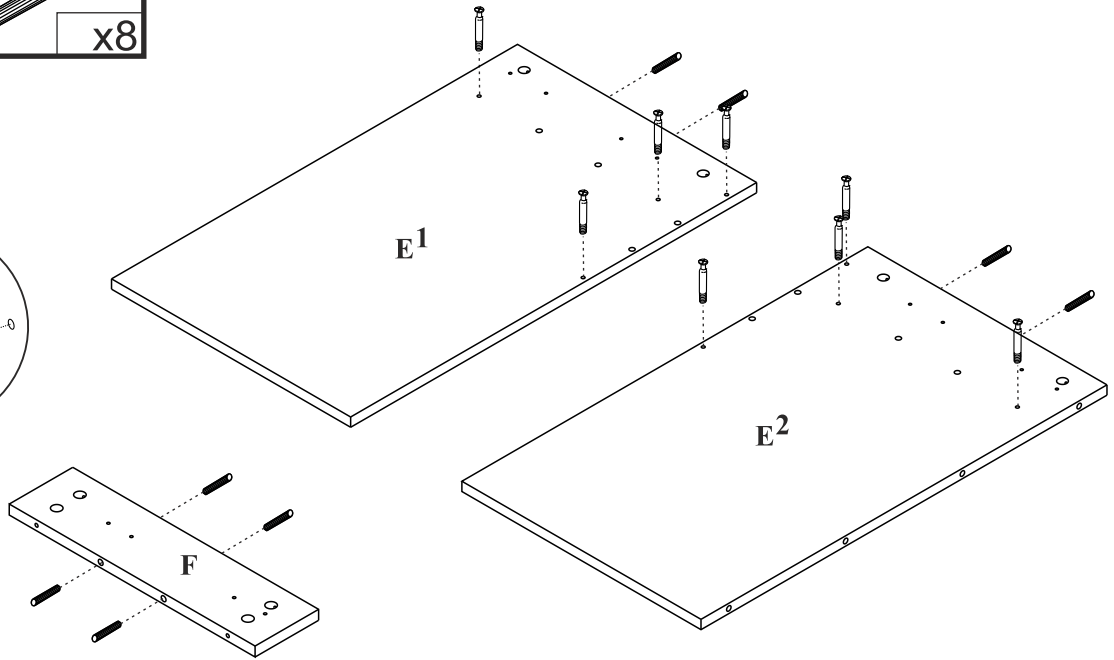
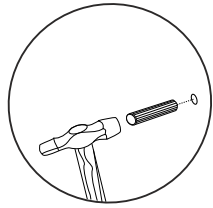




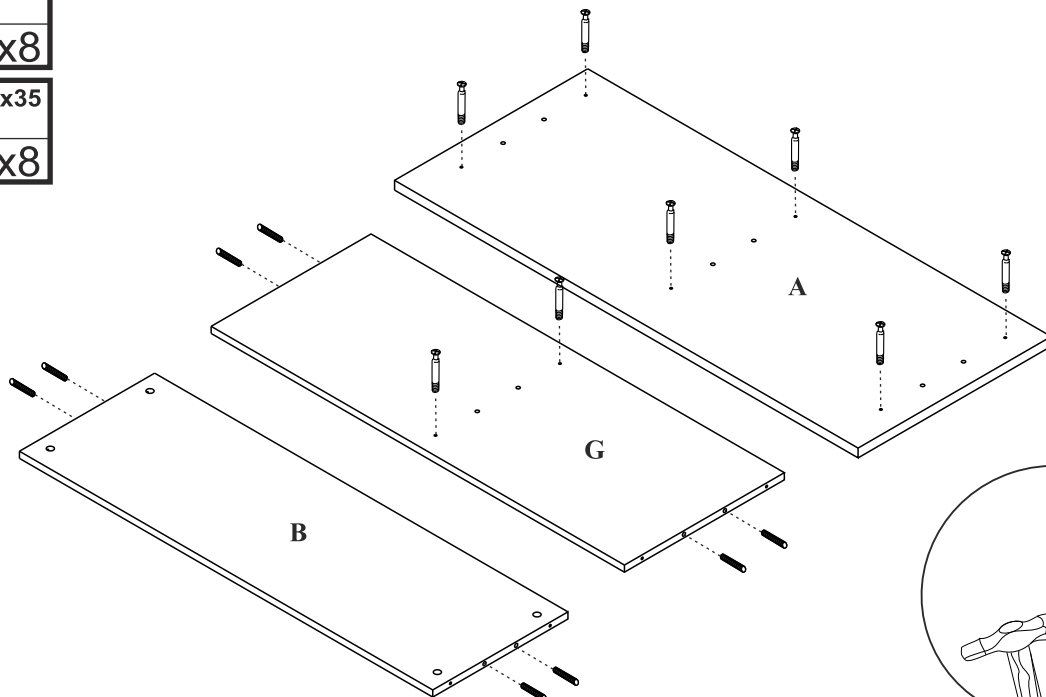
1




2

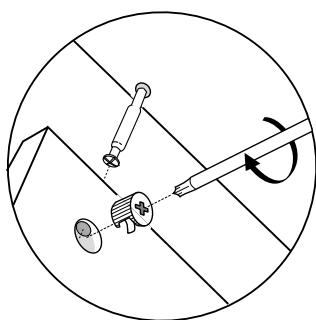
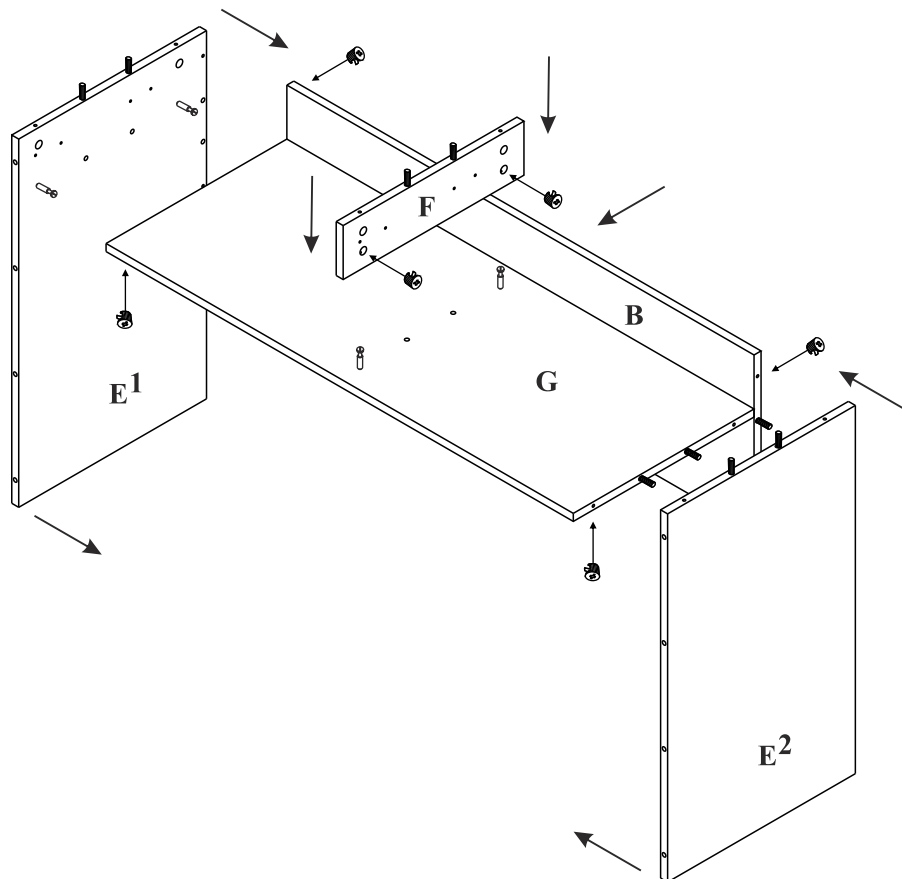



3




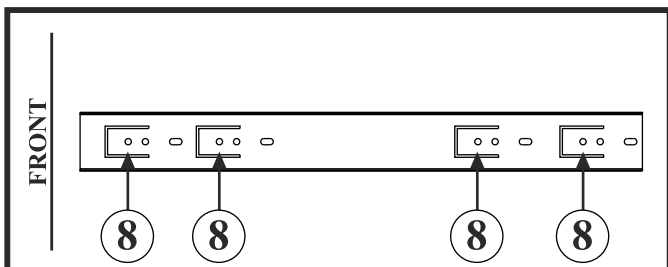
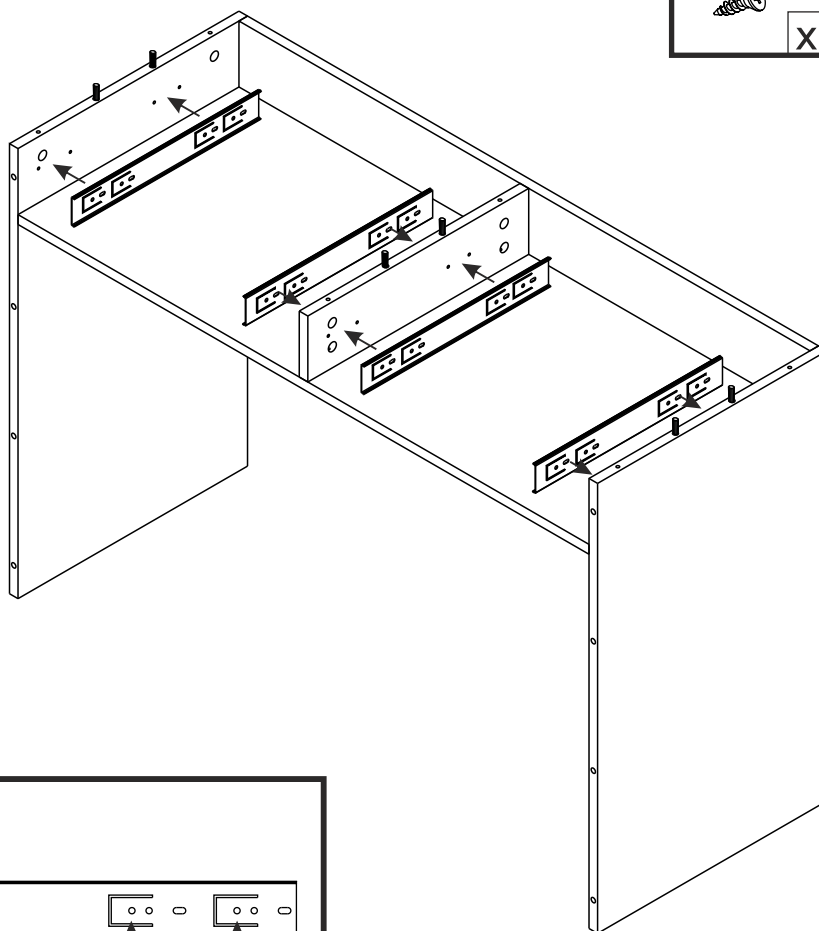
2  x10

4

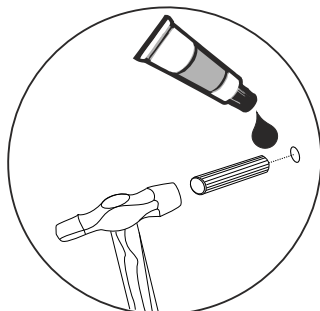
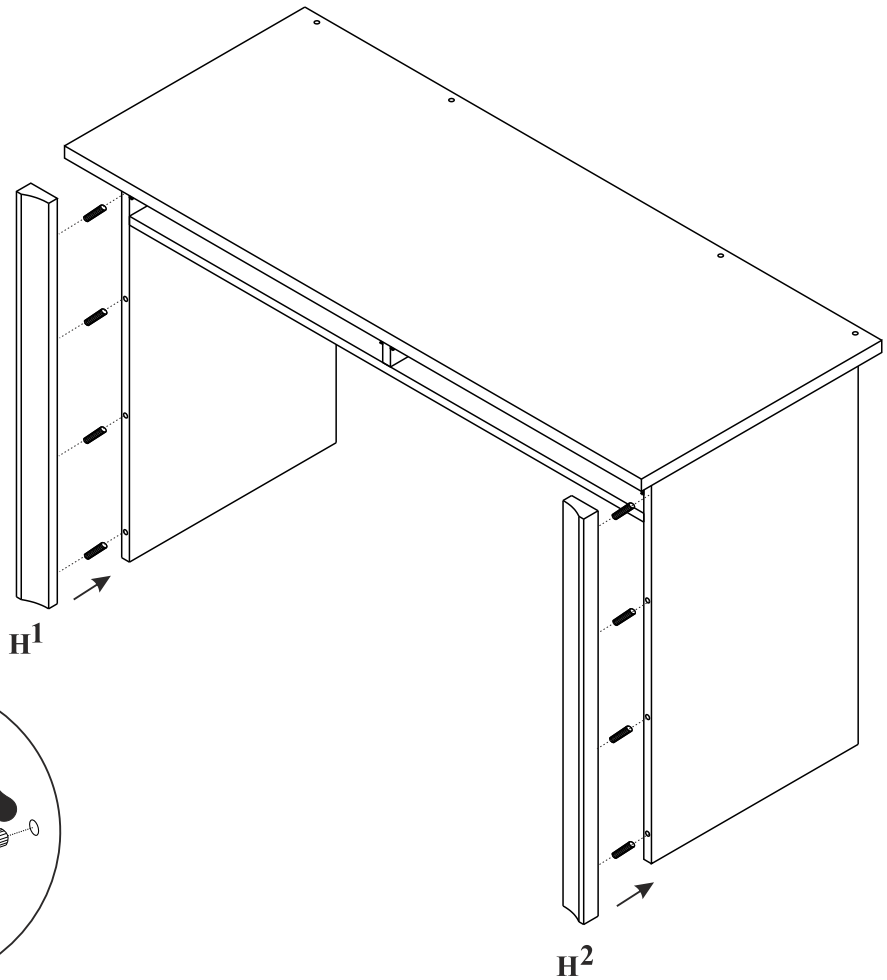
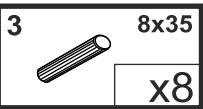
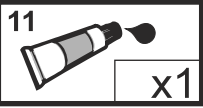
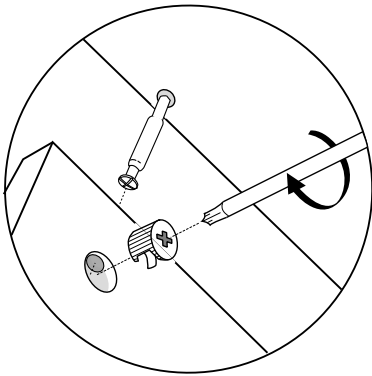
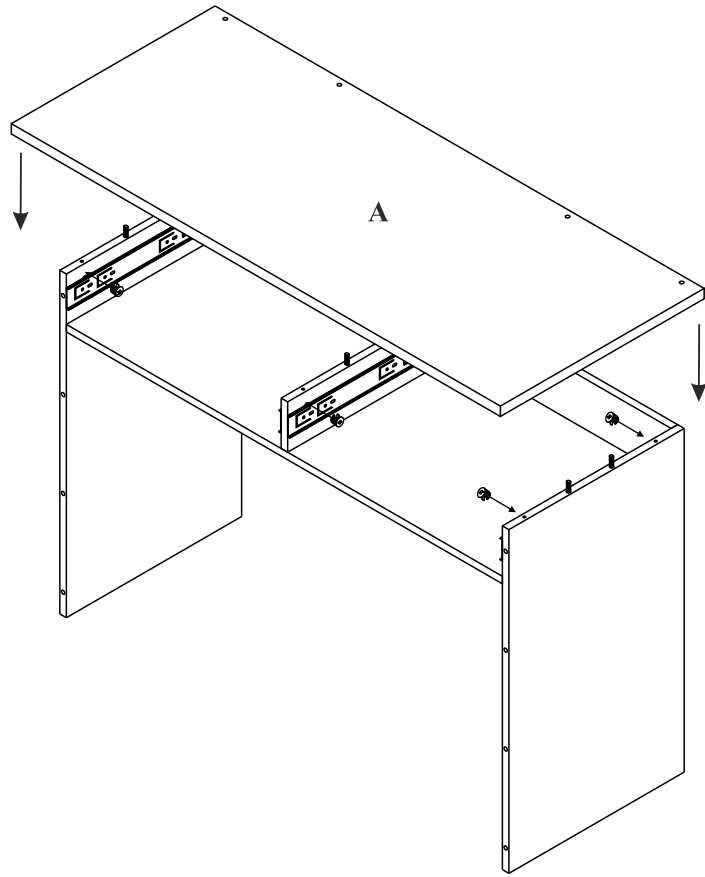
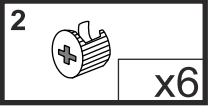


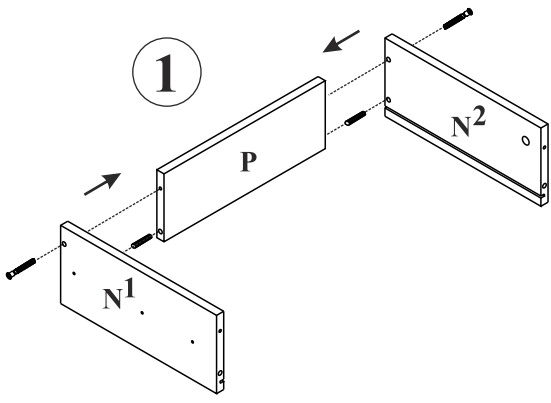
8  3,5x16 x16

19  x4

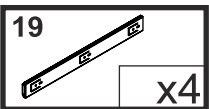
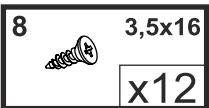
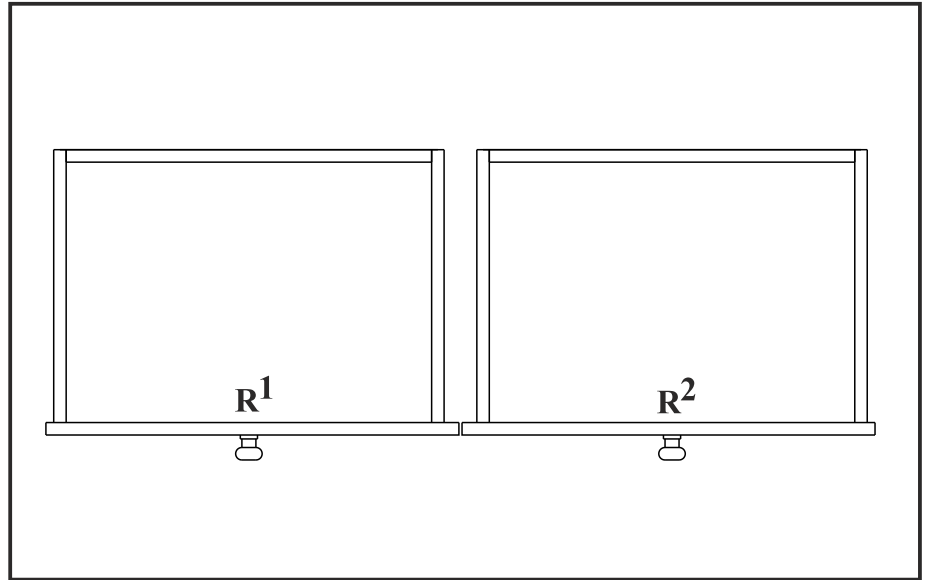
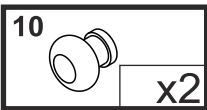
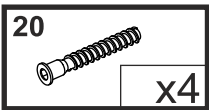
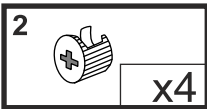
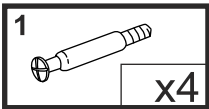
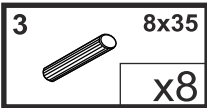
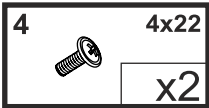
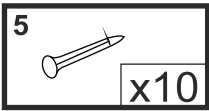
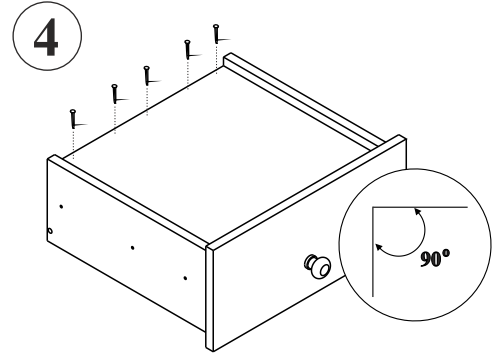
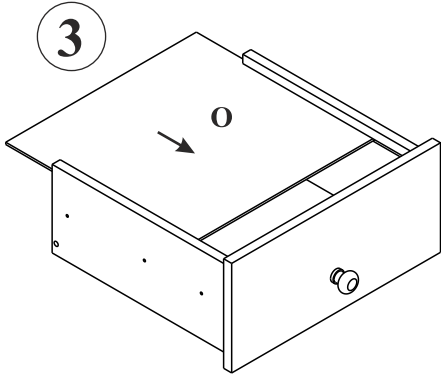
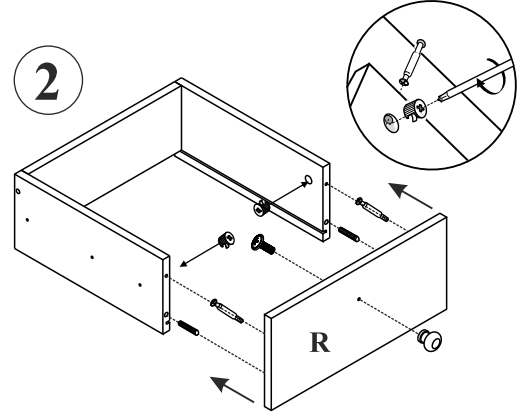


5





x2



x2

