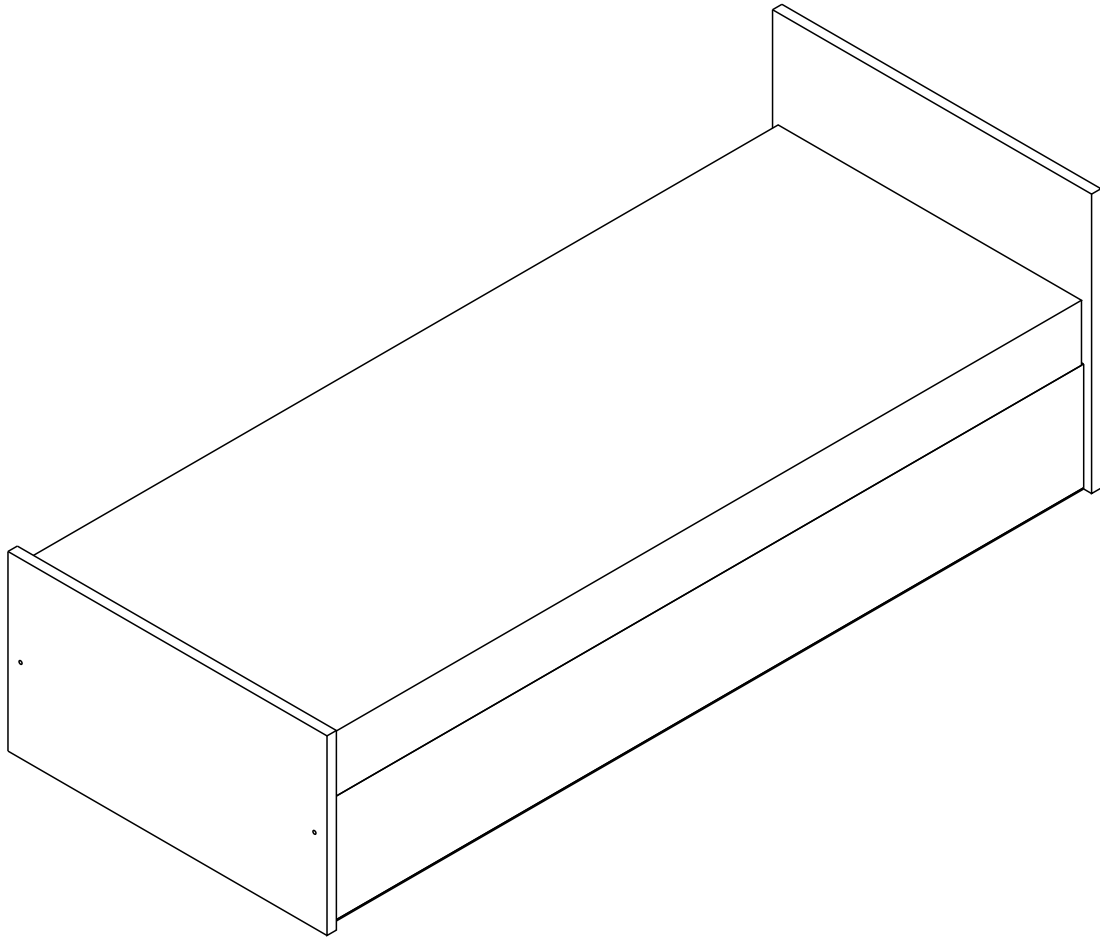

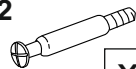



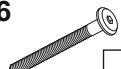




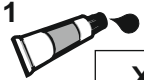


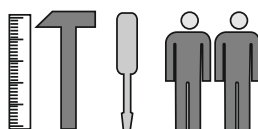


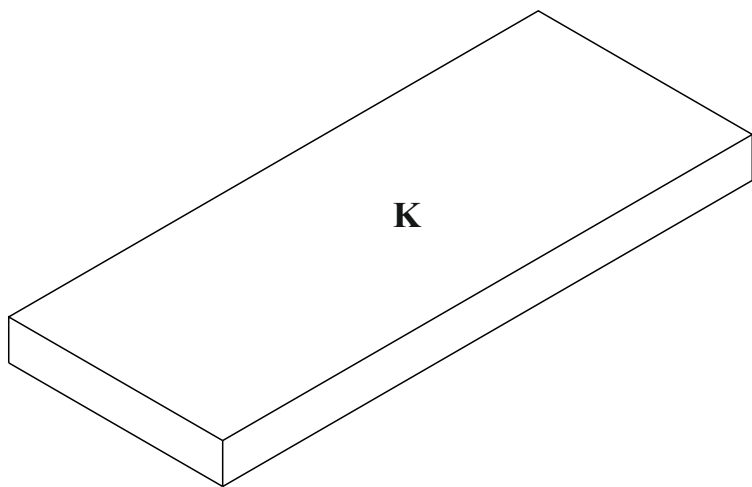
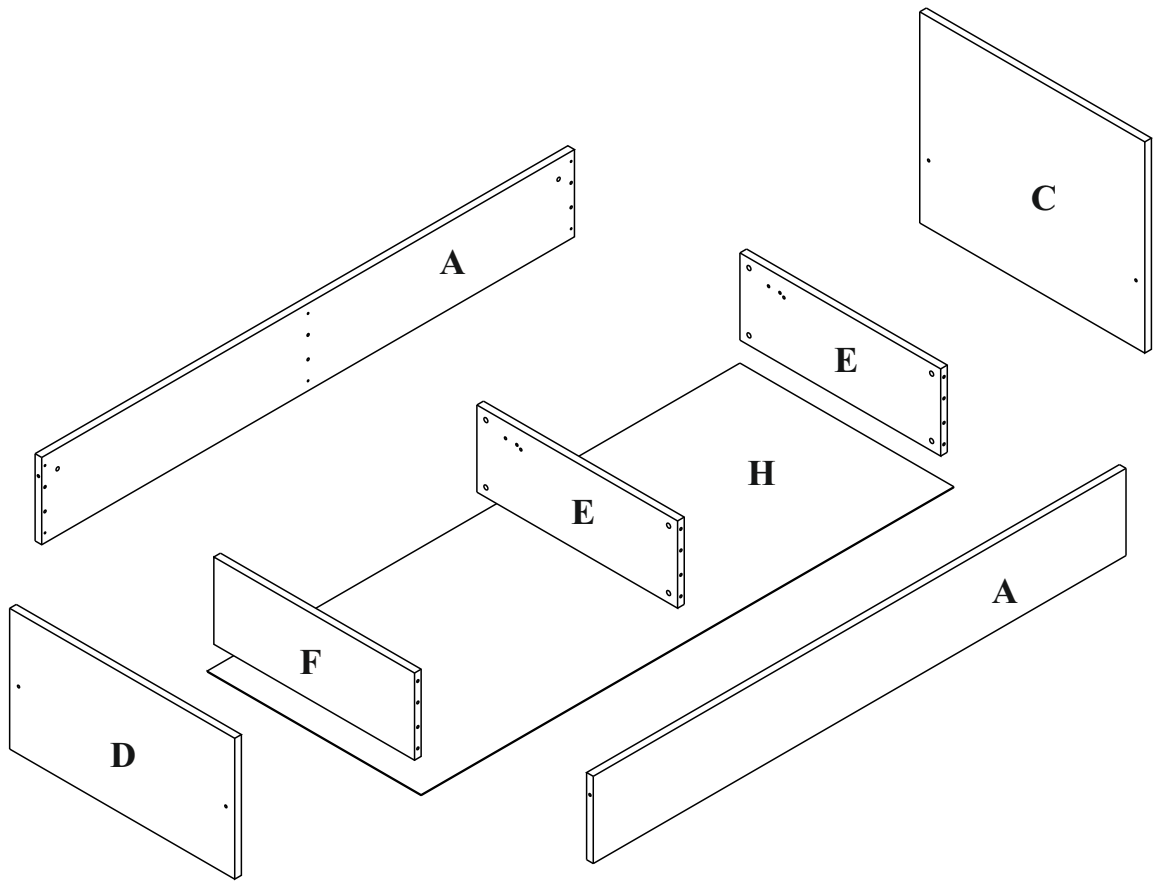
P8

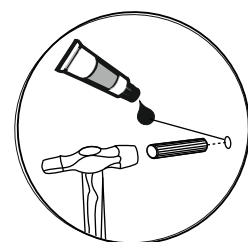
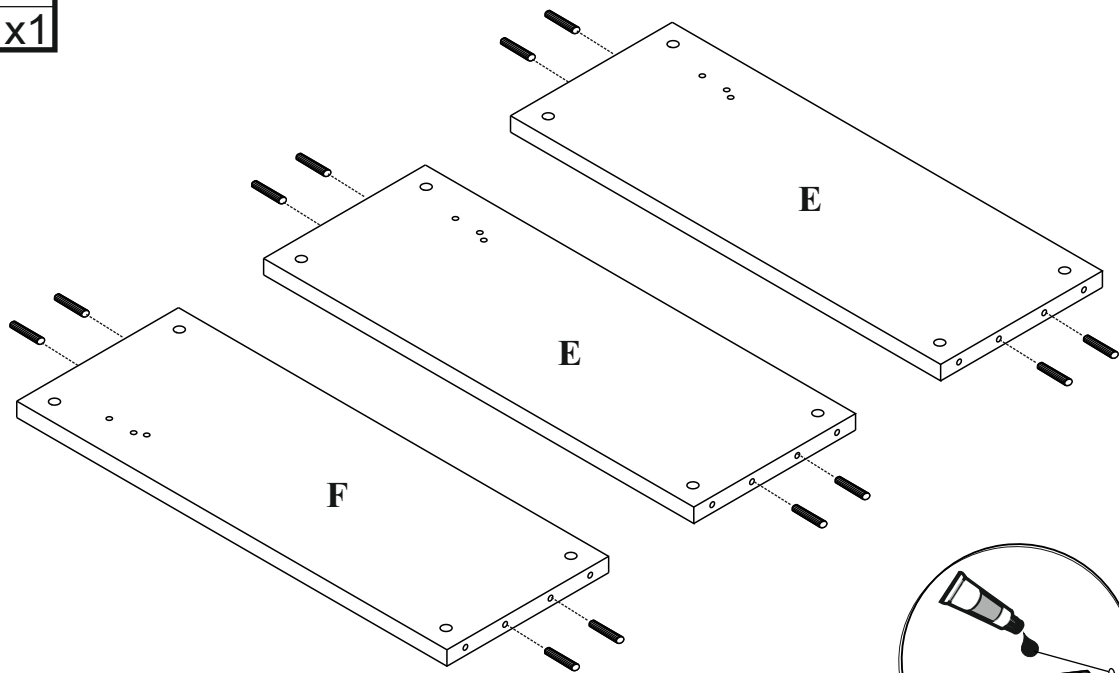
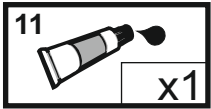
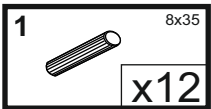
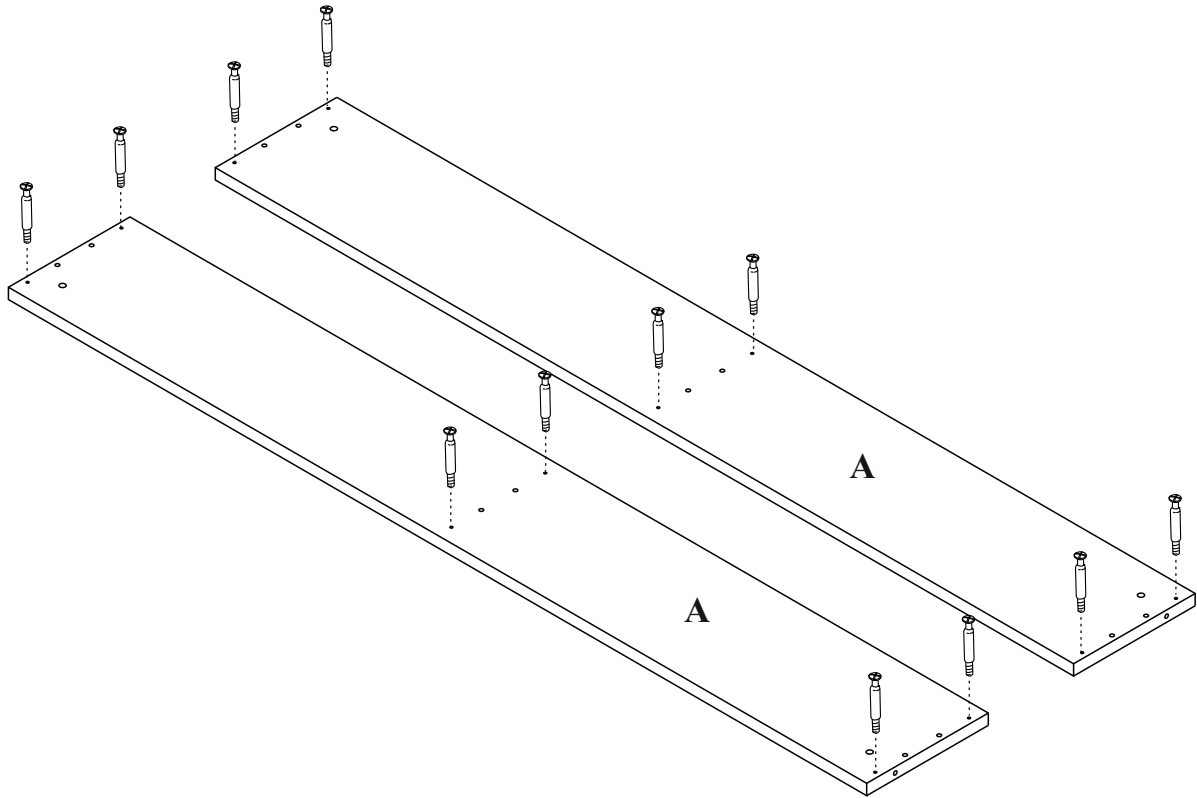
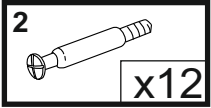


1  8x35 x12	2  x12	3  x12	4  x12	5  x1	6  M6x70 x4
7  M6 x4	8  PRAVY x2	9  LAVY x1	10  x4	11  x1	12  x60
13  M5x15 x15					

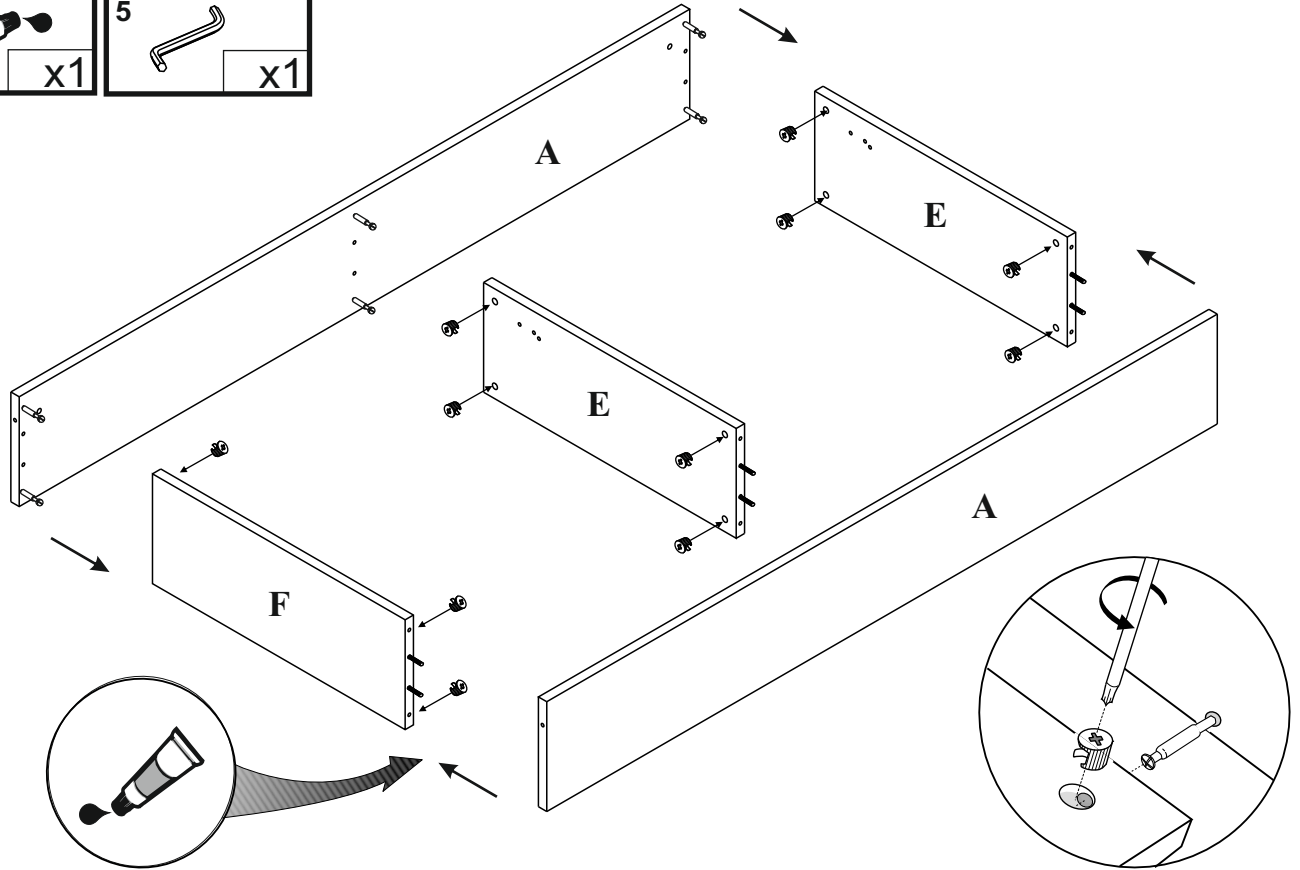
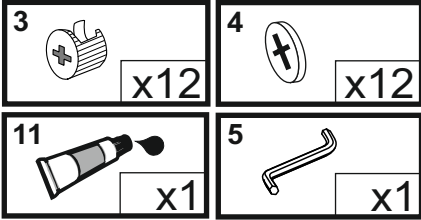
60 min.



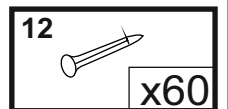
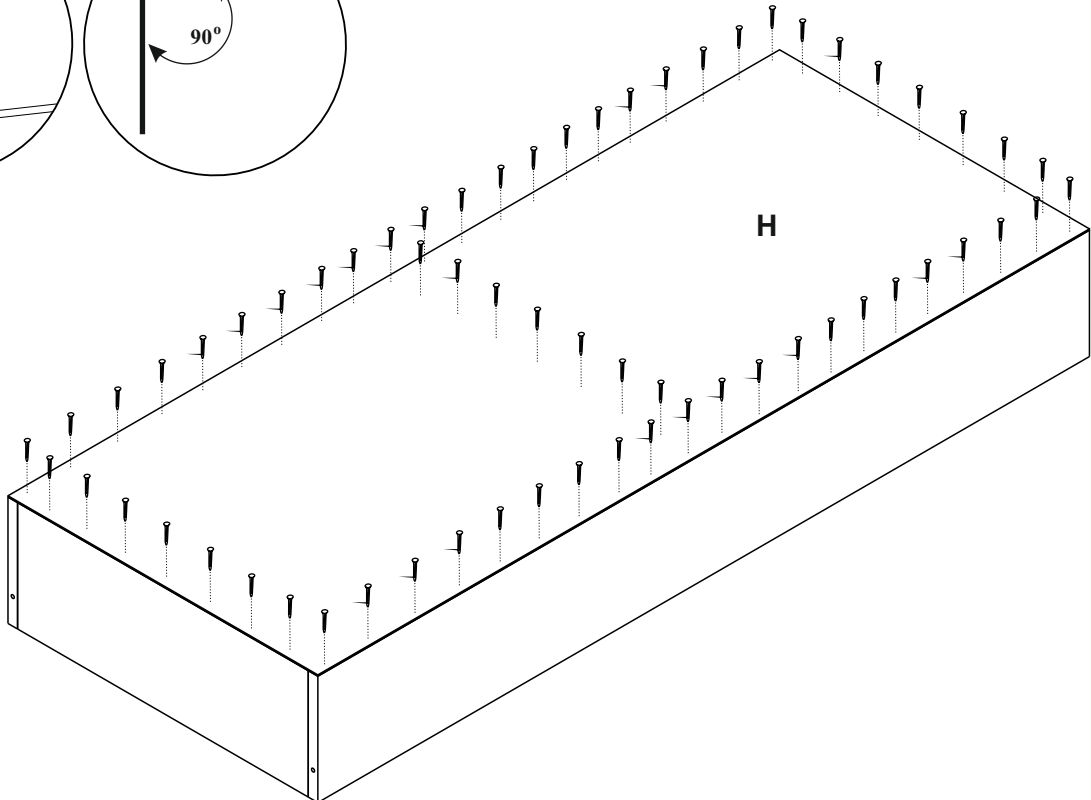
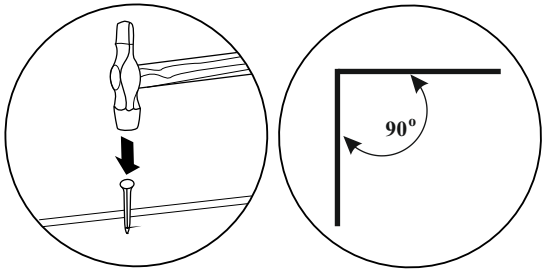




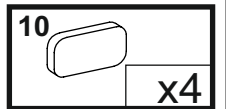
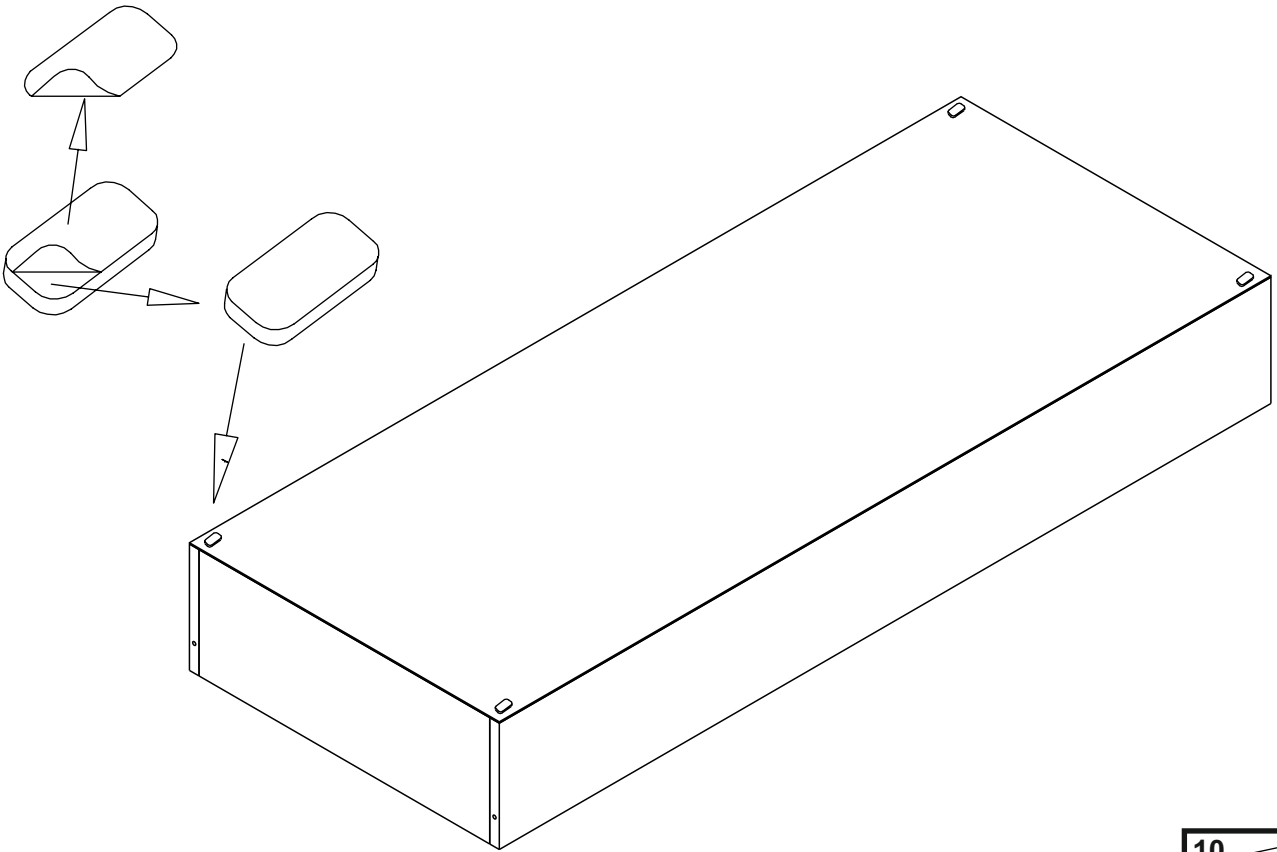
3



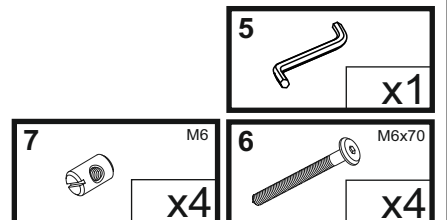
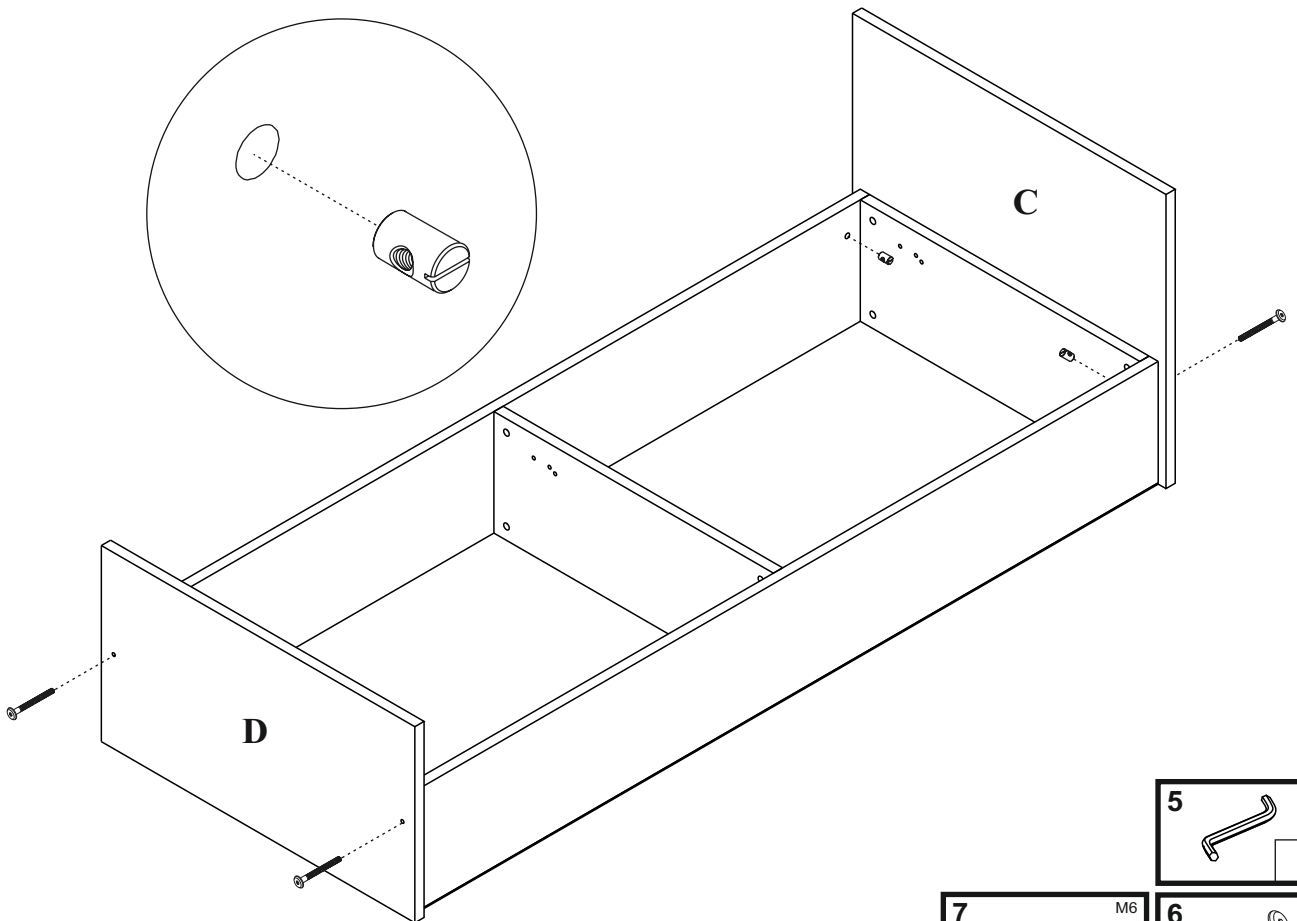
4







5

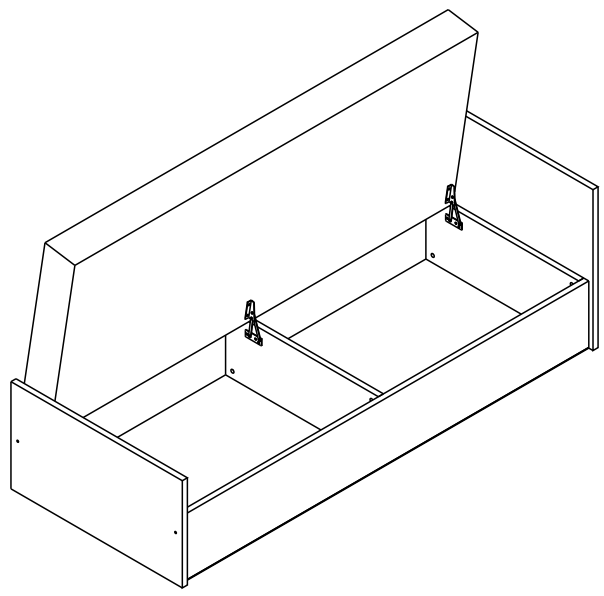
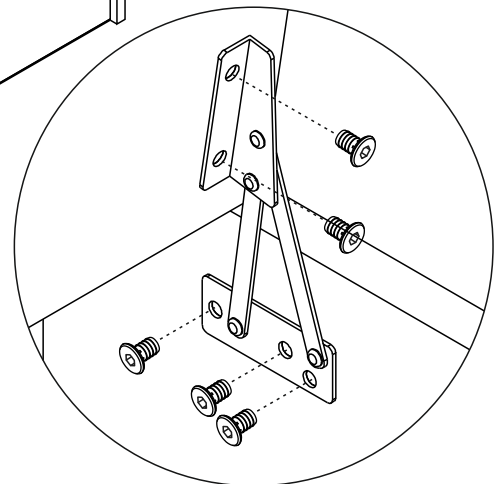
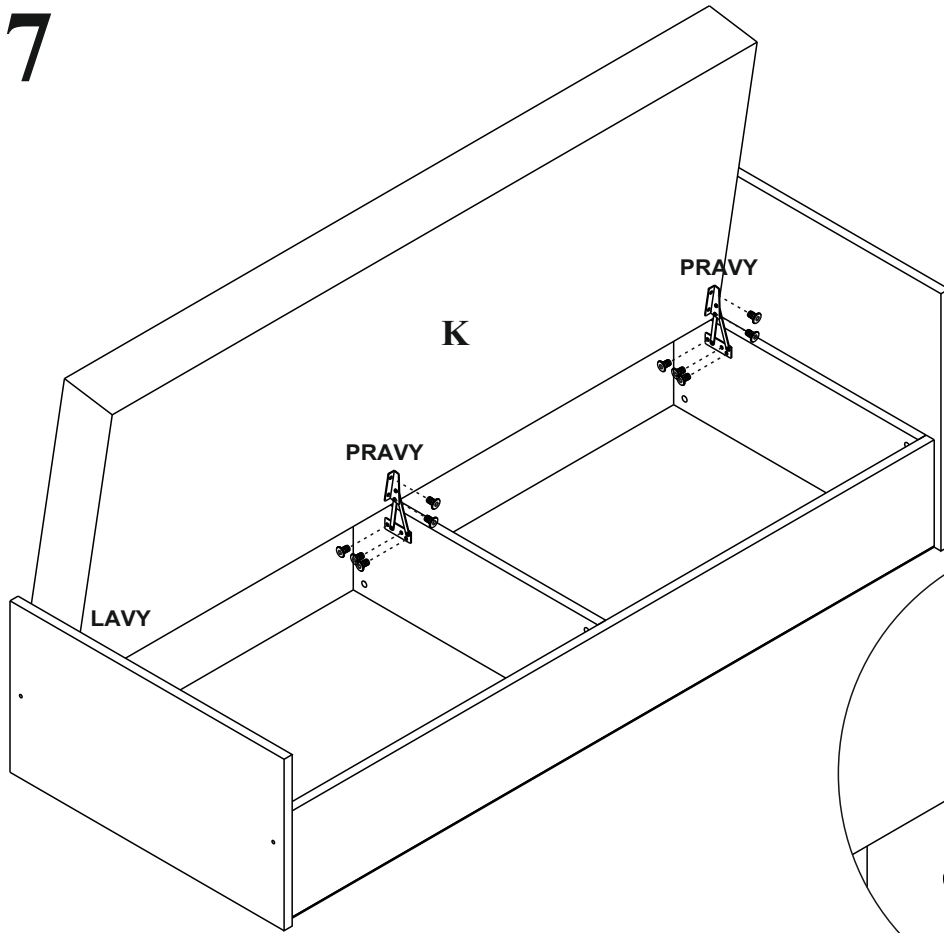


6

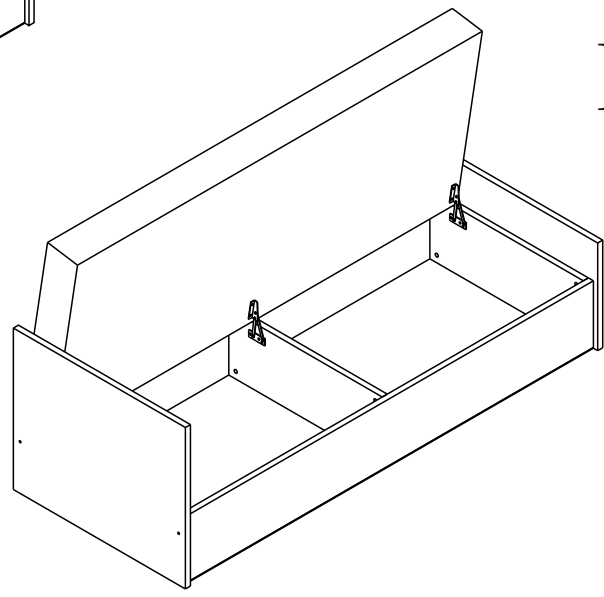


7

8		PRAVY		LAVY
		x2		x1
13		M5x15		
		x15		x1



L



P

8