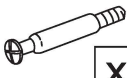






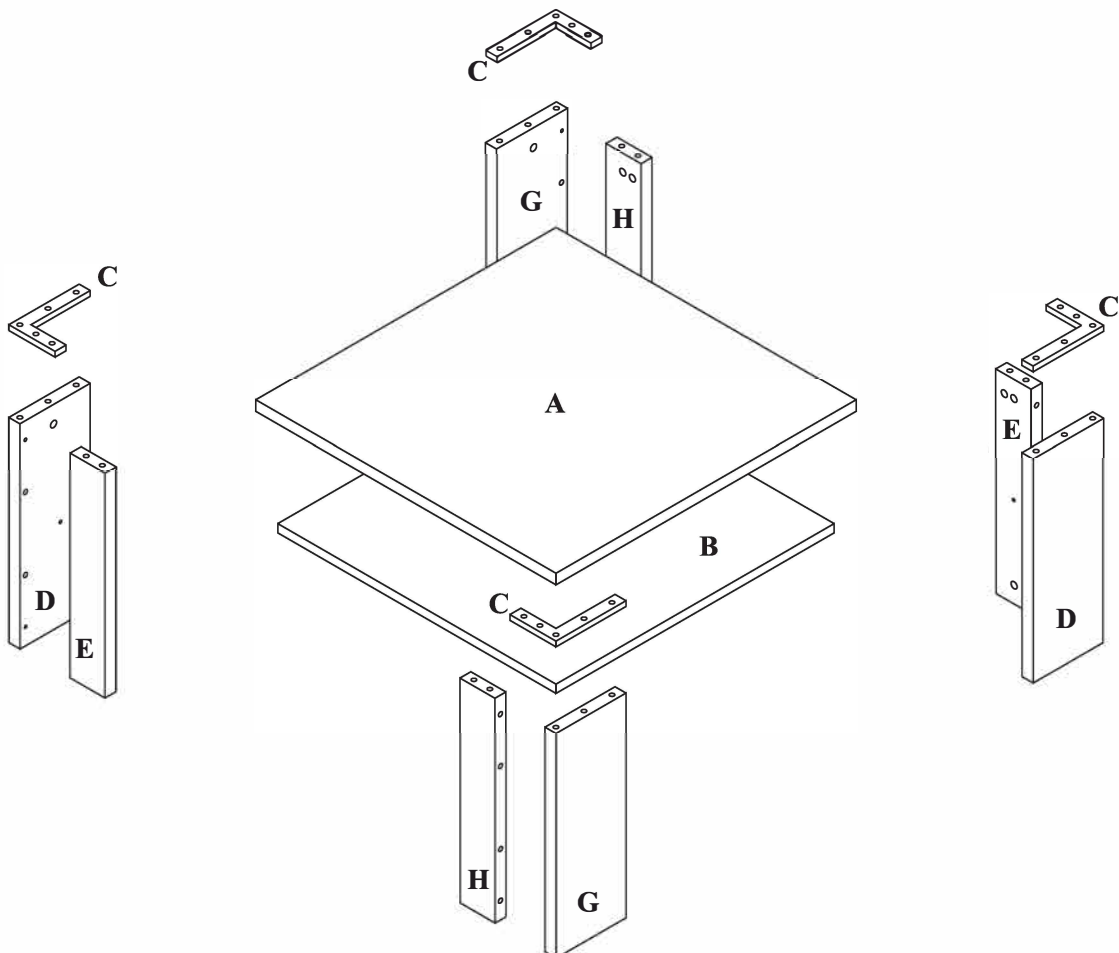
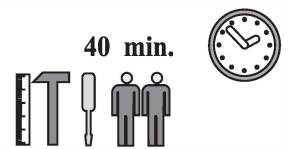
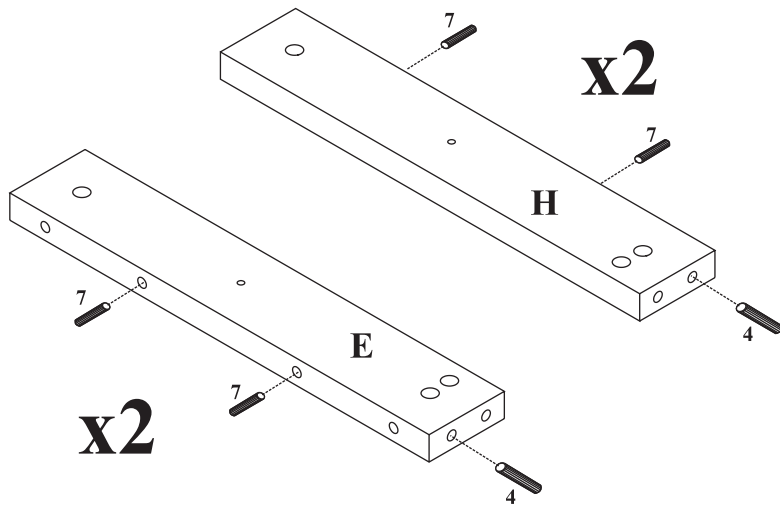
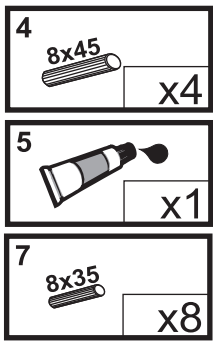
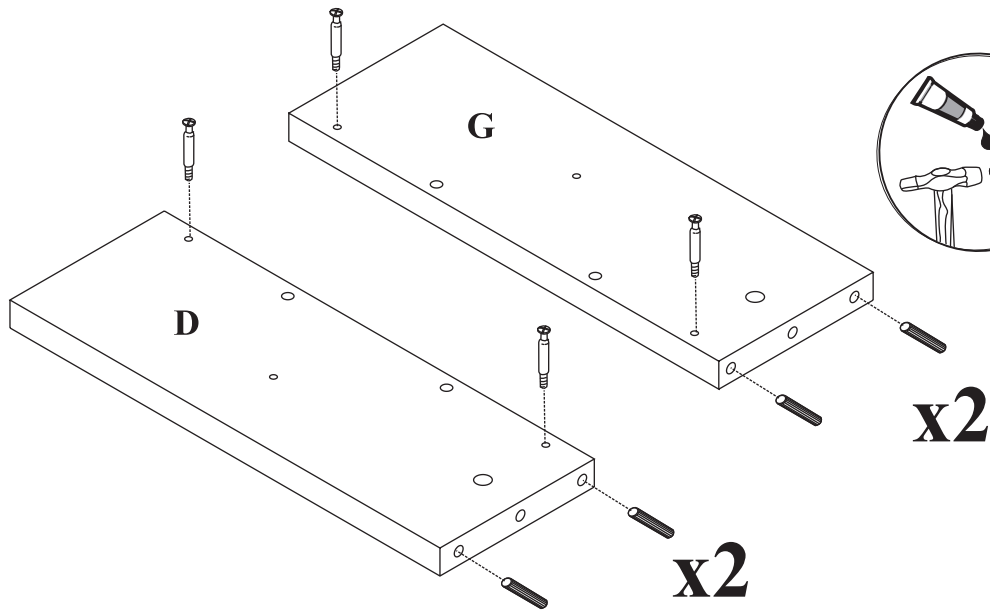
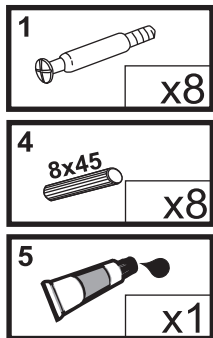


- | | |
|---|---|
| 1

x16 | 2

x16 |
| 3

x16 | 4

x12 |
| 5

x1 | 6

x8 |
| | 7

x8 |

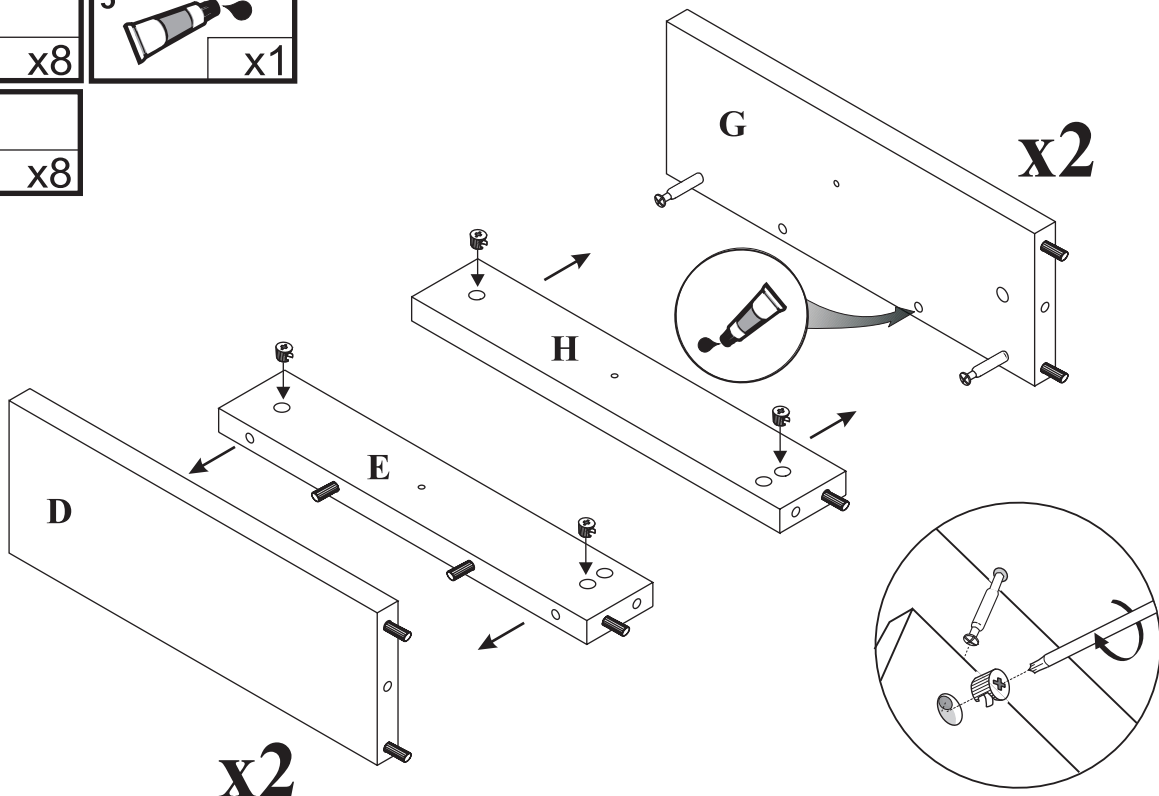
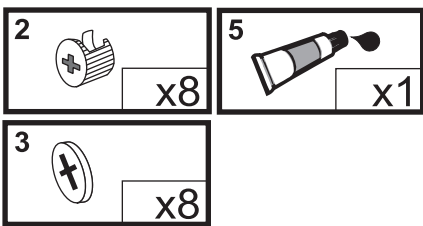




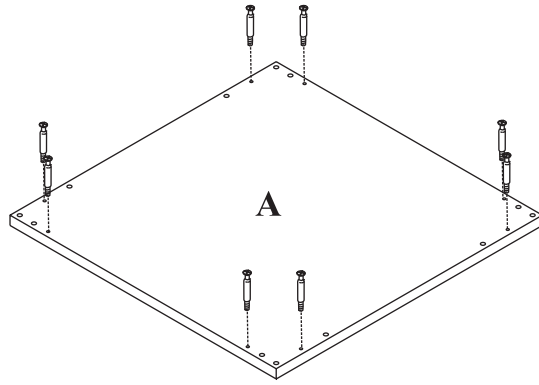
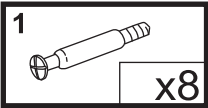
1



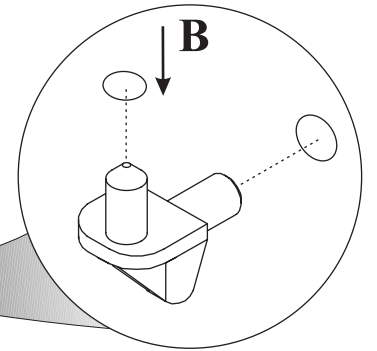
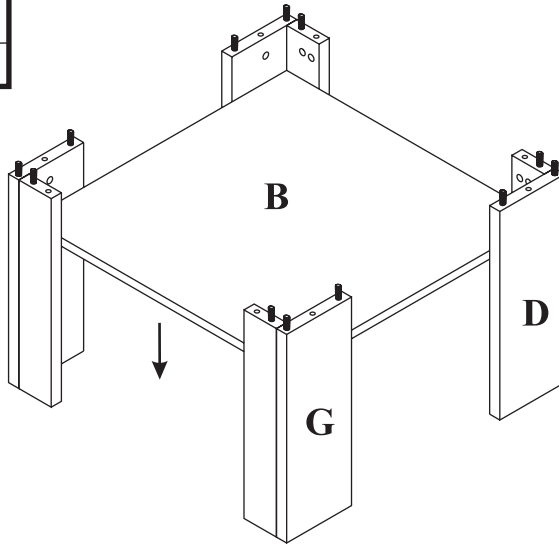
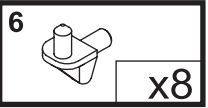
2



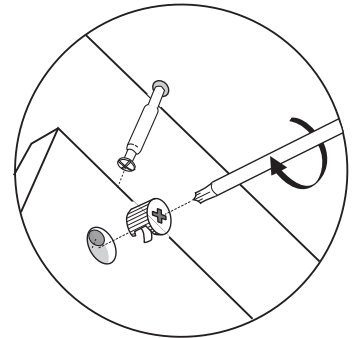
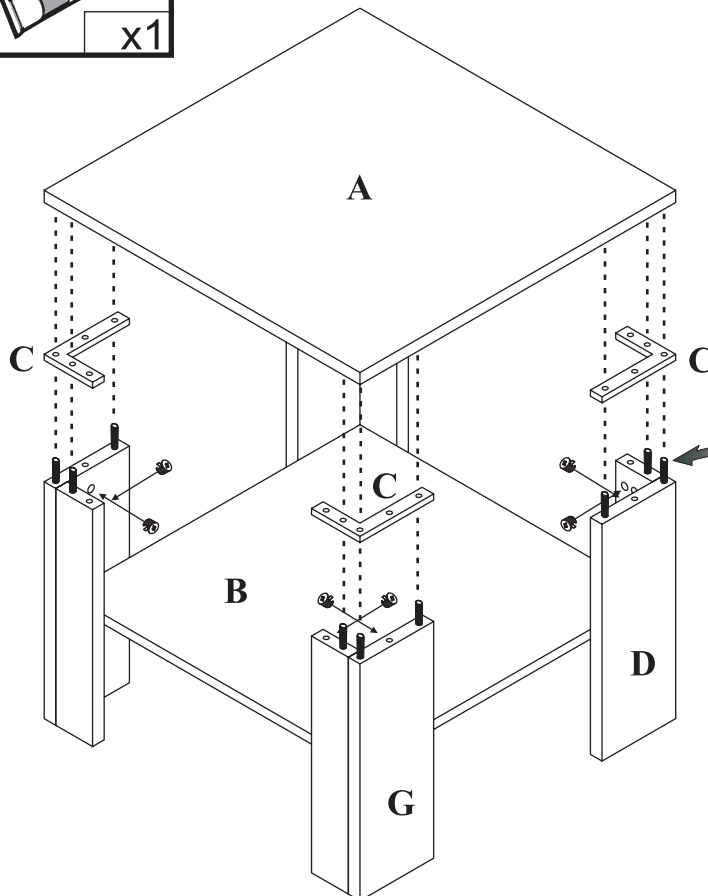
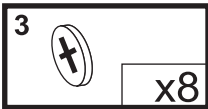
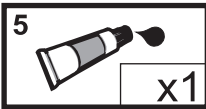
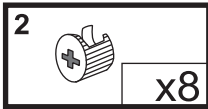
3



4



5



6