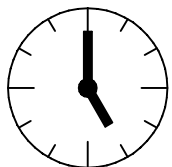
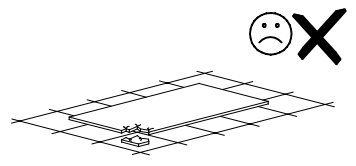
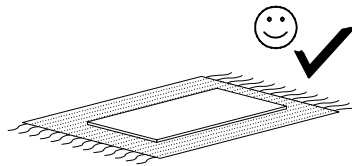
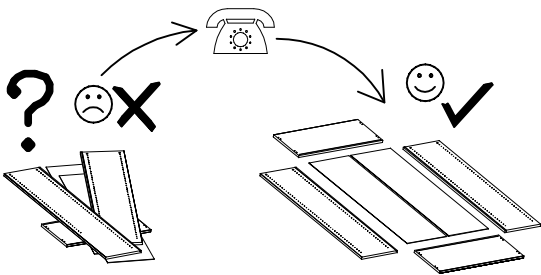
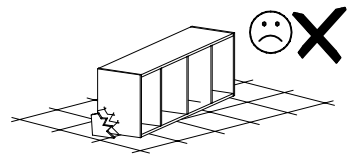
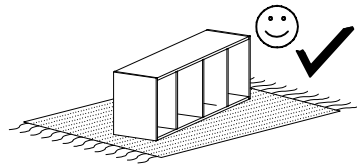
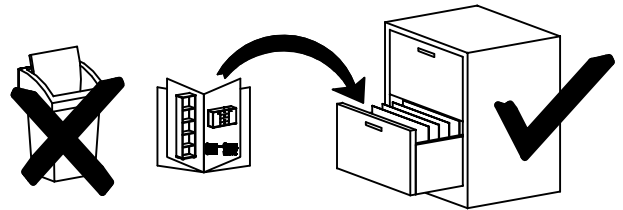
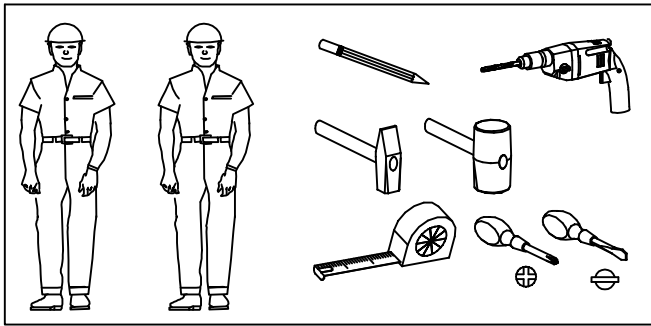
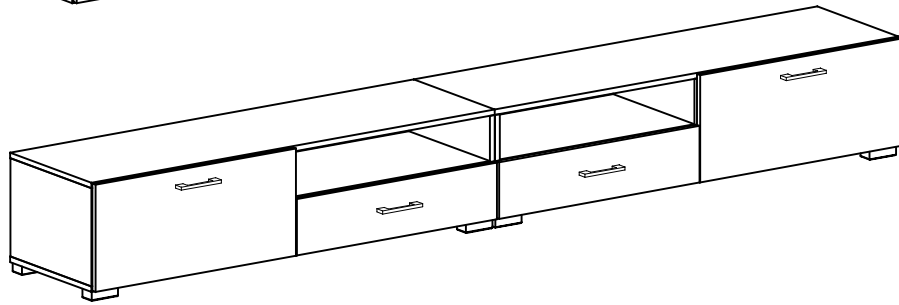
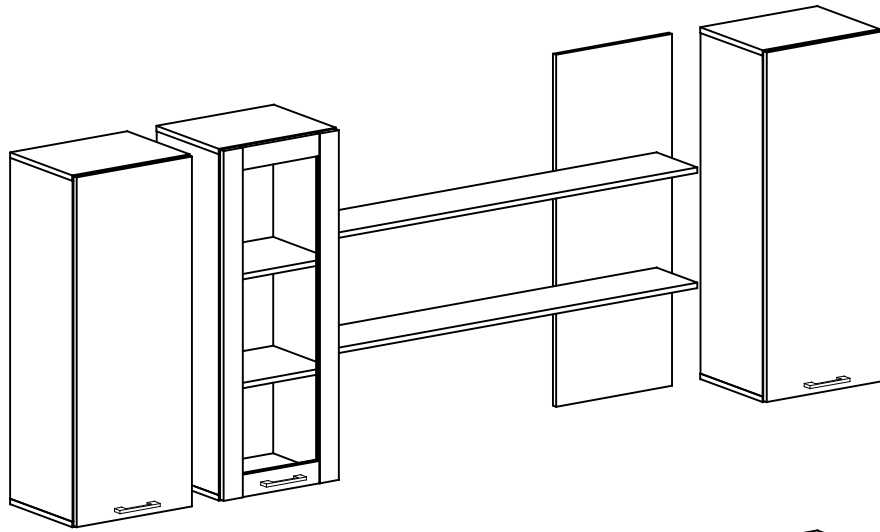
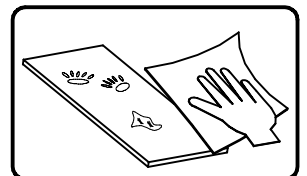
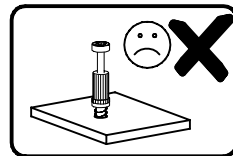
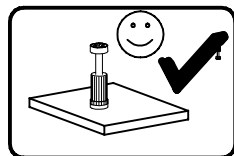
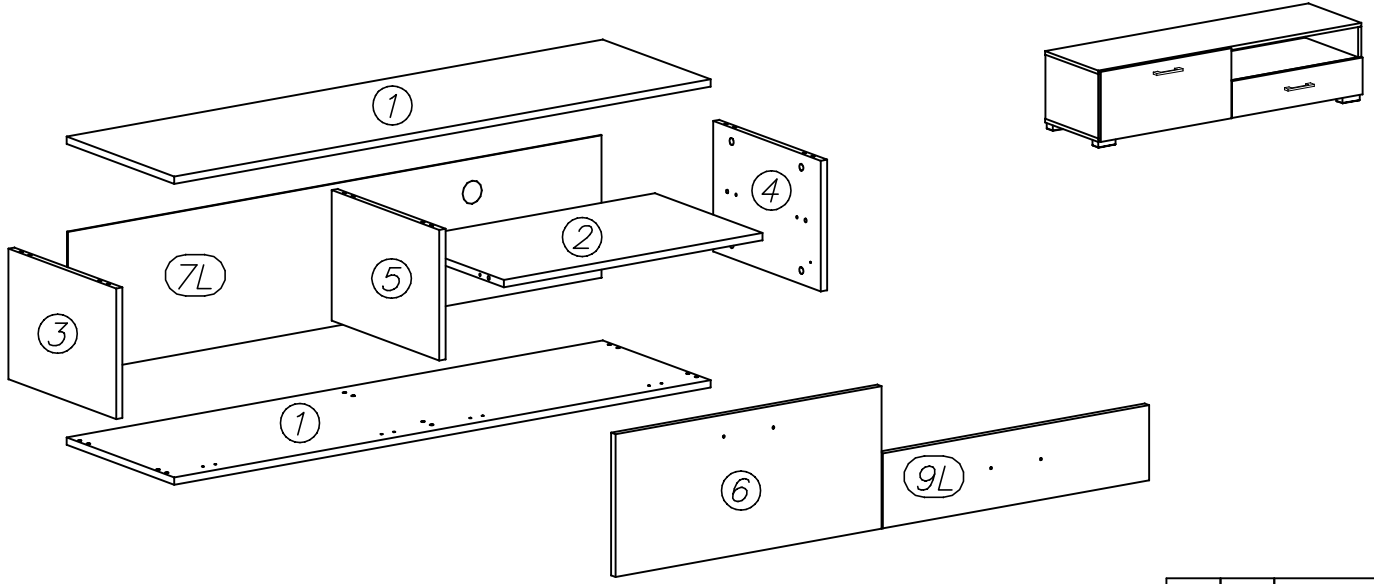
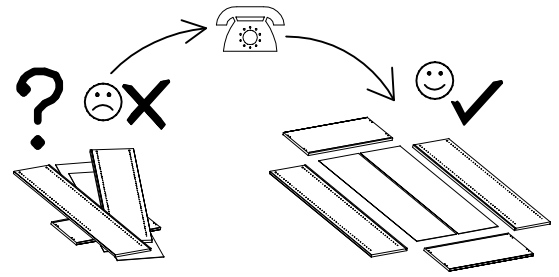
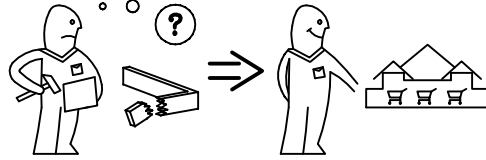
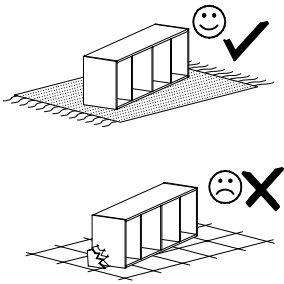


CONDOR

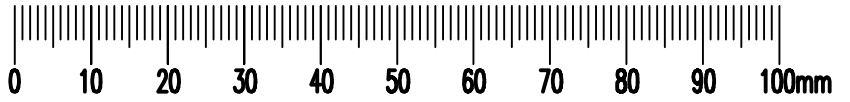
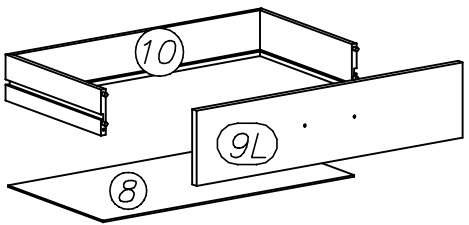


3,5h

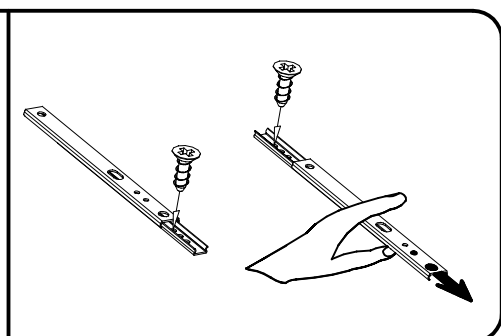
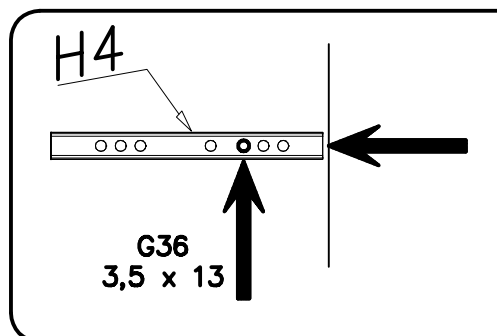
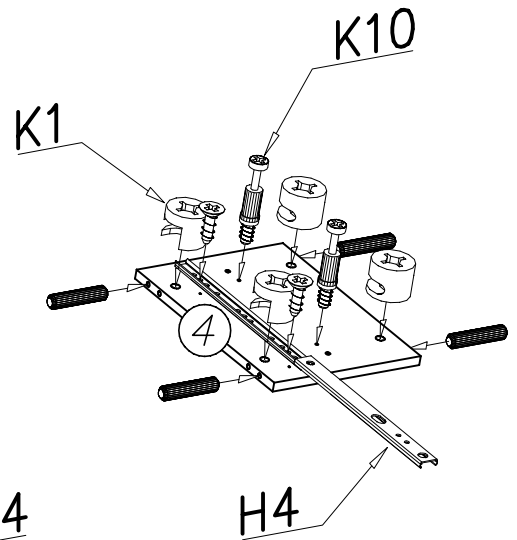
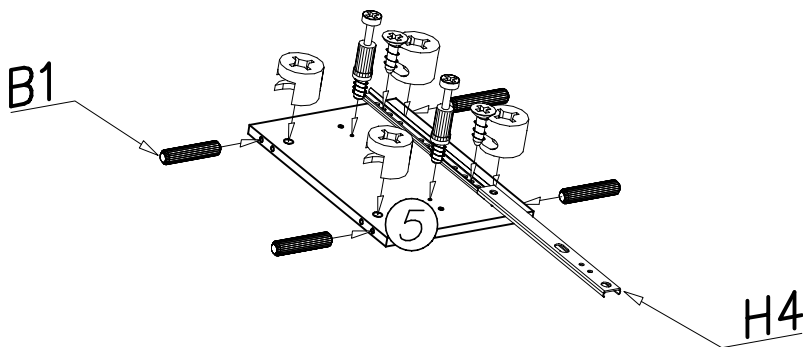
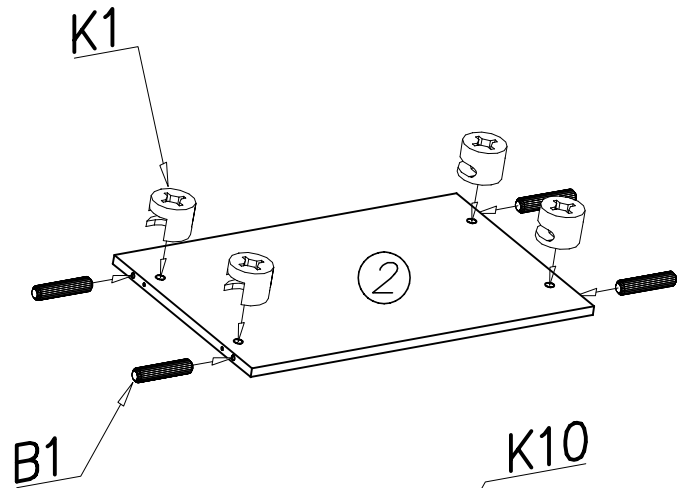
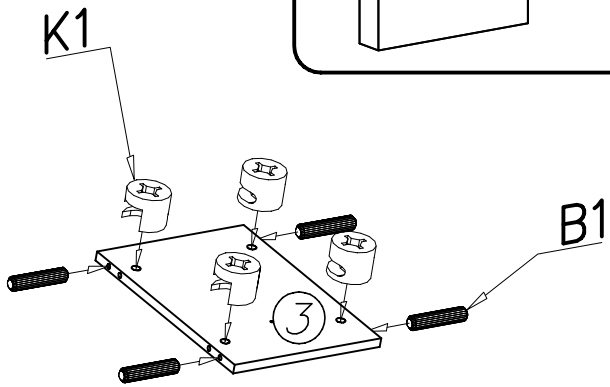
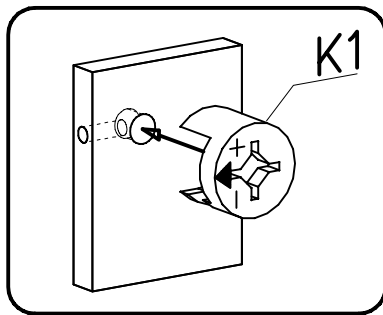
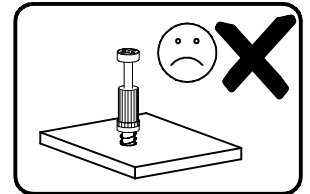
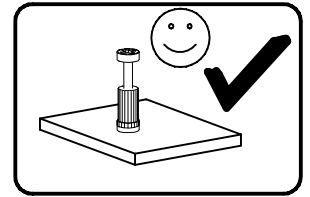
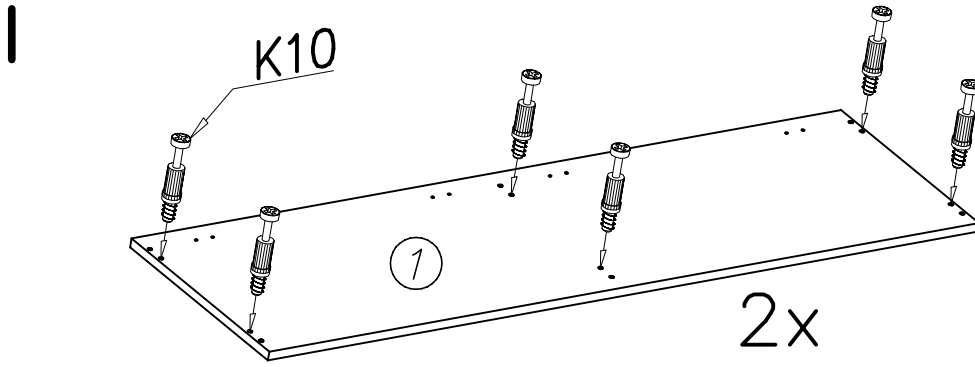
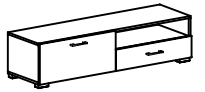


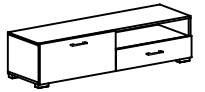


1	x2	Colli 1/4
2	x1	Colli 1/4
3	x1	Colli 1/4
4	x1	Colli 1/4
5	x1	Colli 1/4
6	x1	Colli 1/4
7L	x1	Colli 1/4
8	x1	Colli 1/4
9L	x1	Colli 1/4
10	x1	Colli 1/4

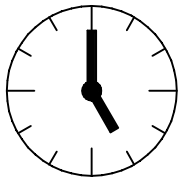
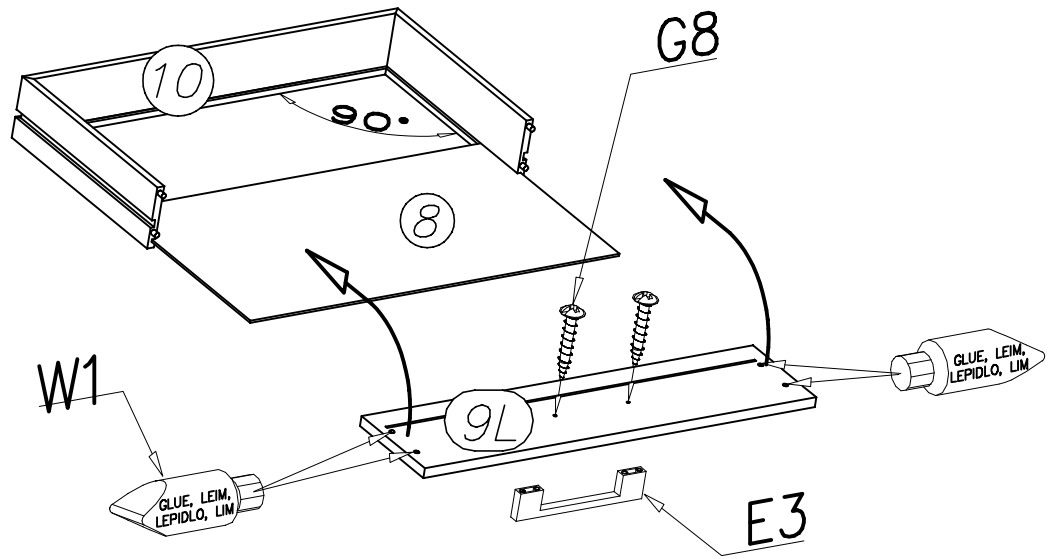
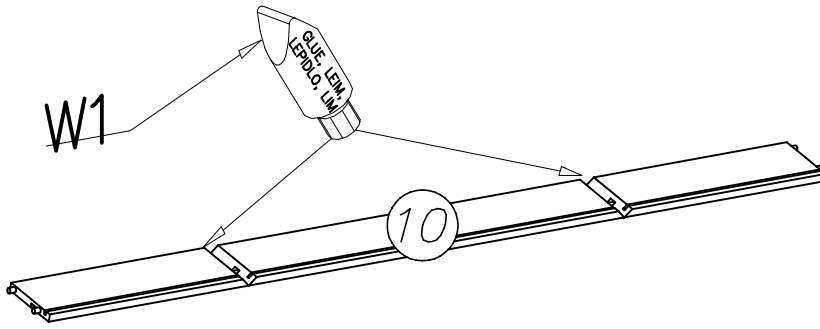


H4 350mm x...(2)	W1 x...(1)	N1 M4x9 x...(2)		
G23 4x40 x...(15)	P17 x...(5)	B1 ø8x35 x...(16)	I7 ø18 x...(16)	G21 3x16 x...(3)
K1 ø15x12 x...(16)	L6 x...(1)	G8 4x30 x...(4)	W4 x...(30)	G36 3,5x13 x...(11)
K10 x...(16)		C3 Z35PR x...(2)	D3 PZ35PR x...(2)	E3 128mm x...(2)



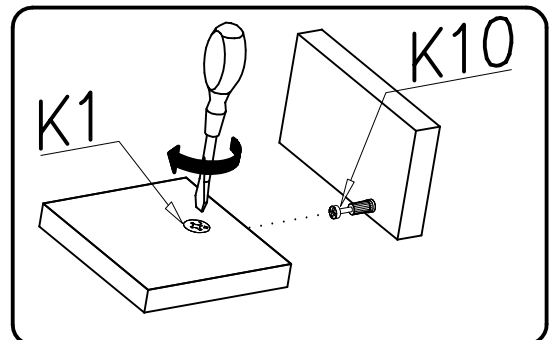
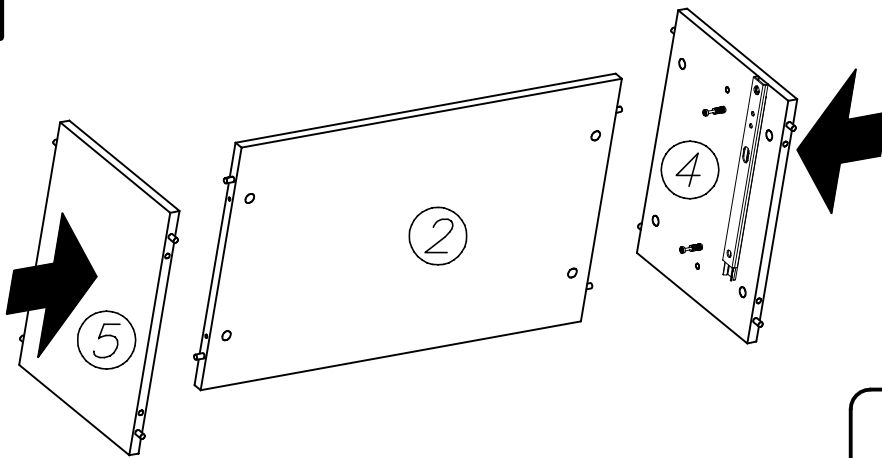


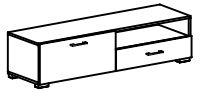
II



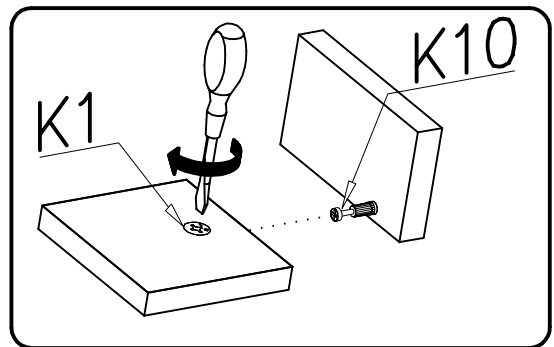
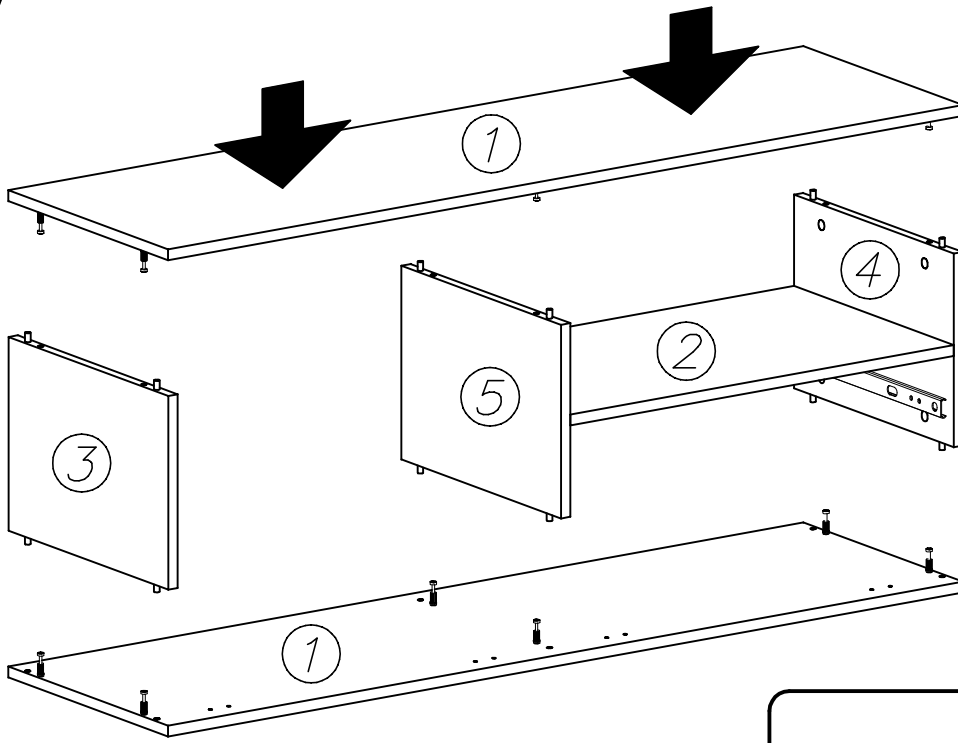
0,5h

III

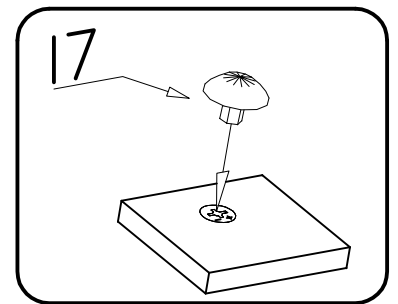
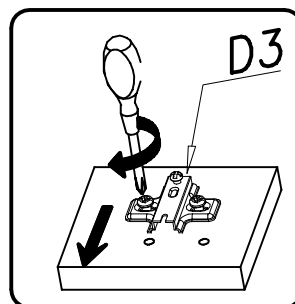
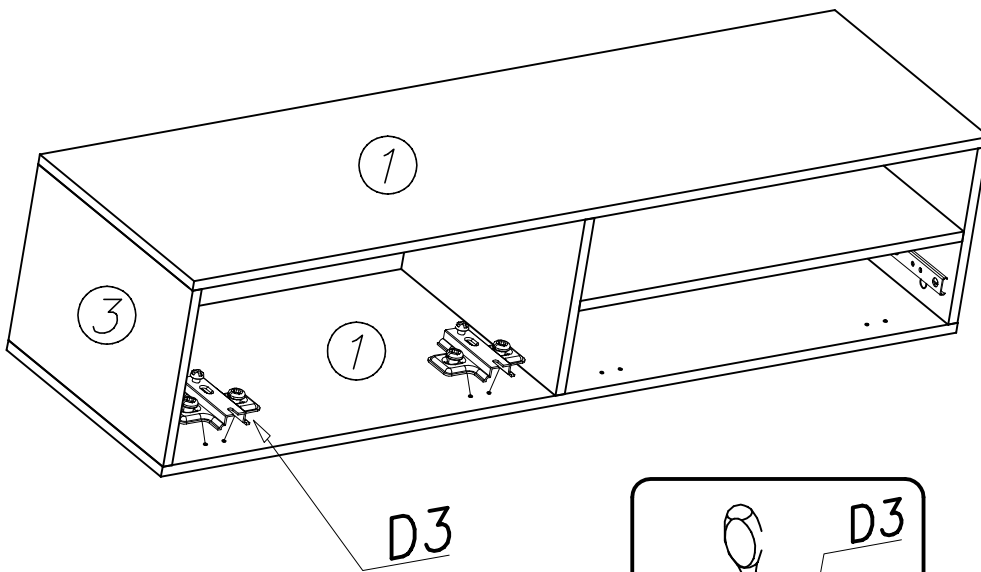


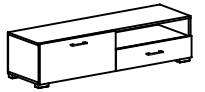


IV

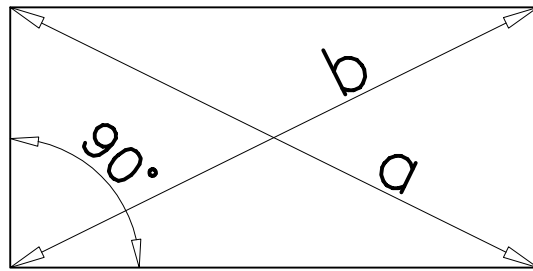


V

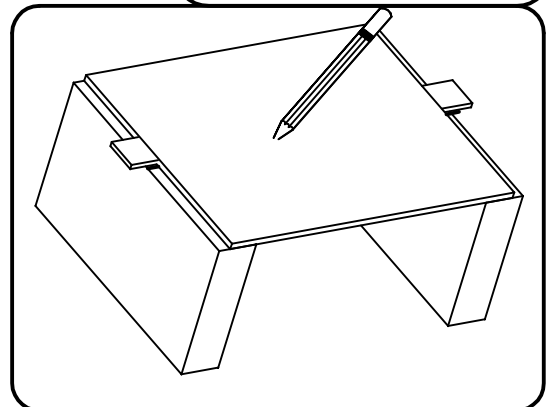
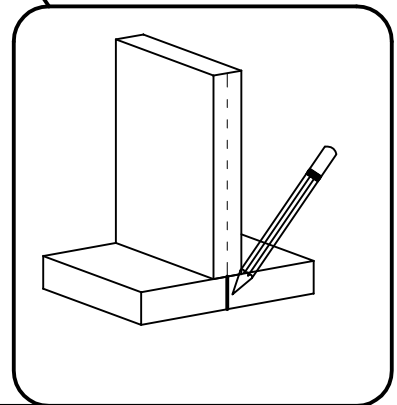
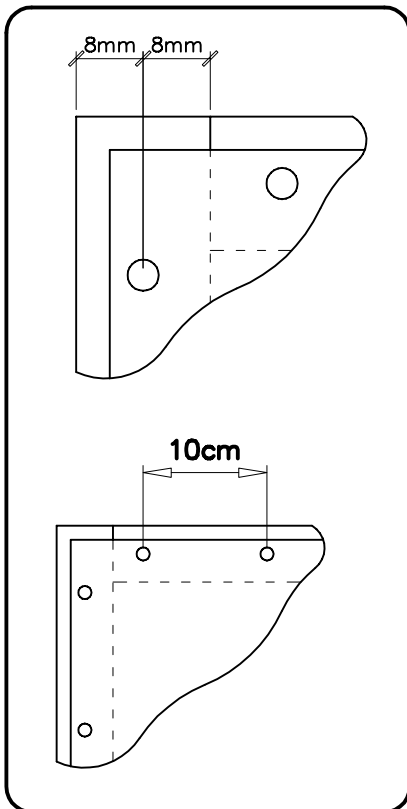
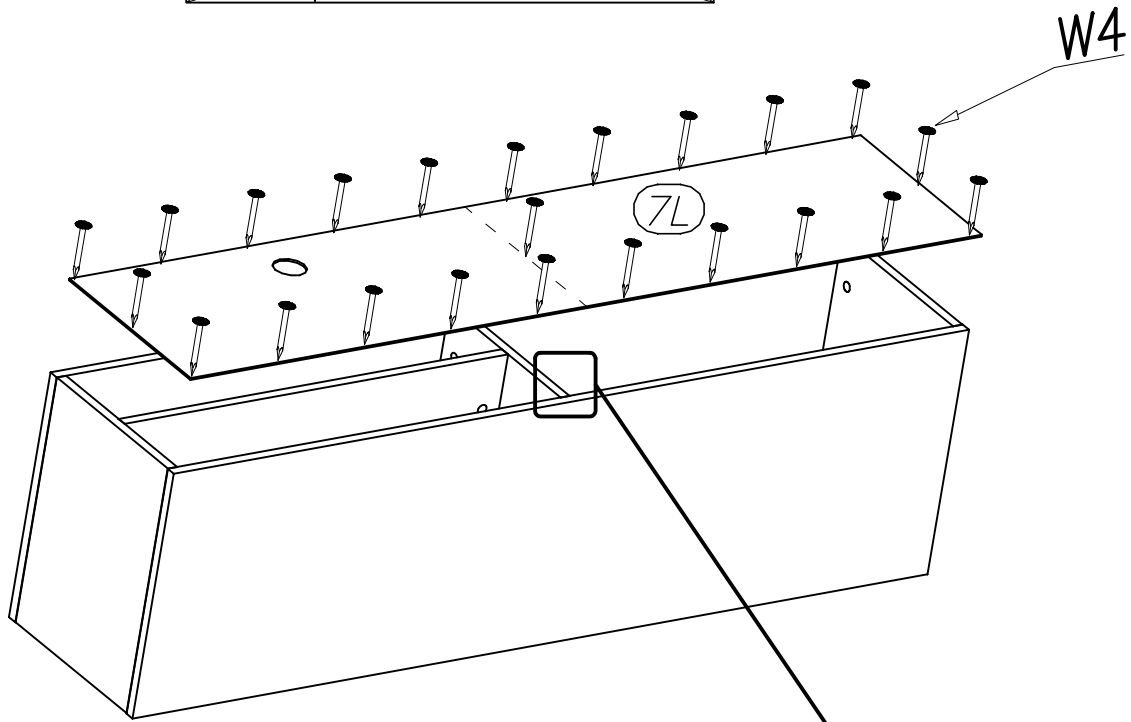


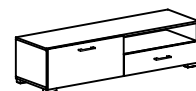


VI

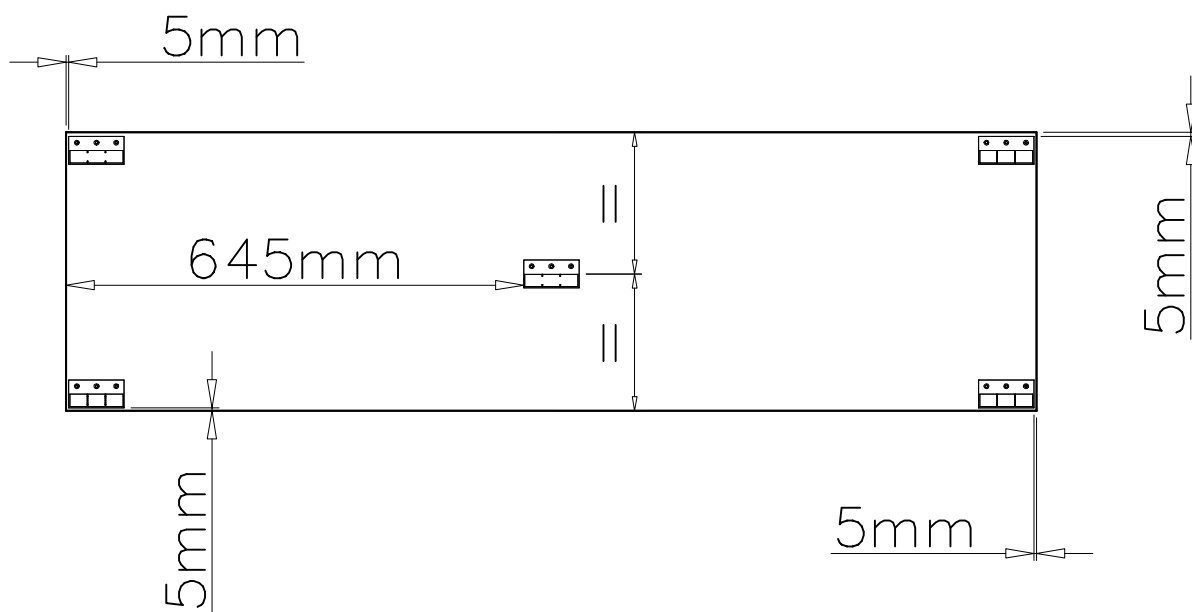
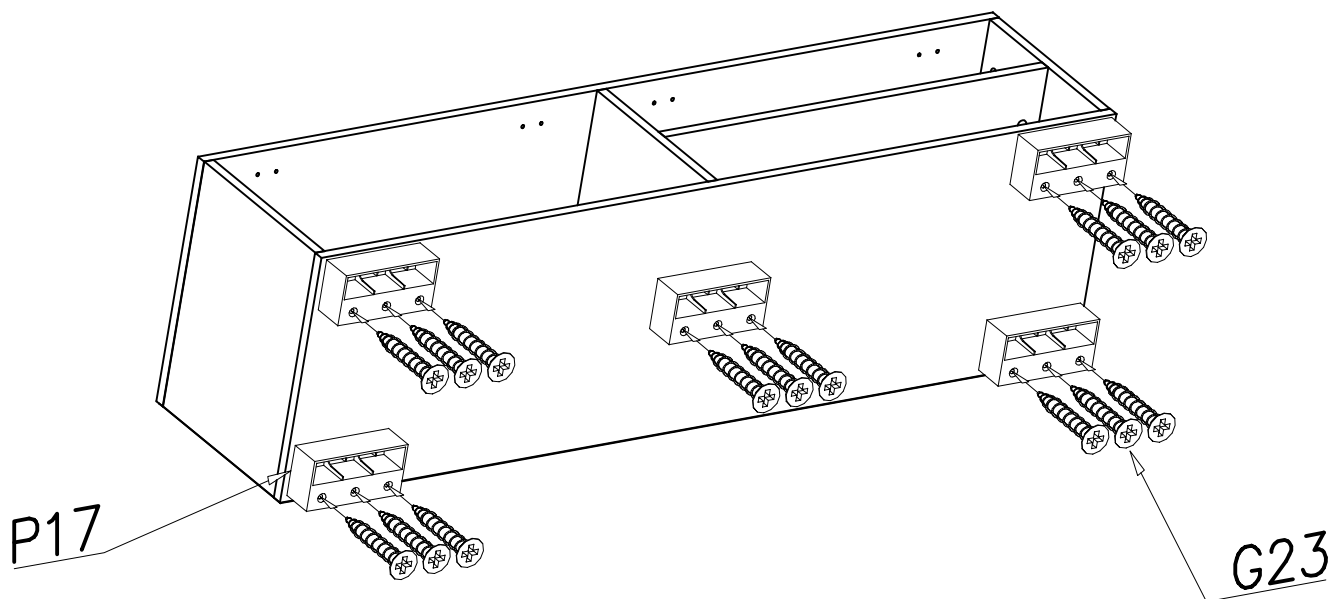


$a = b$

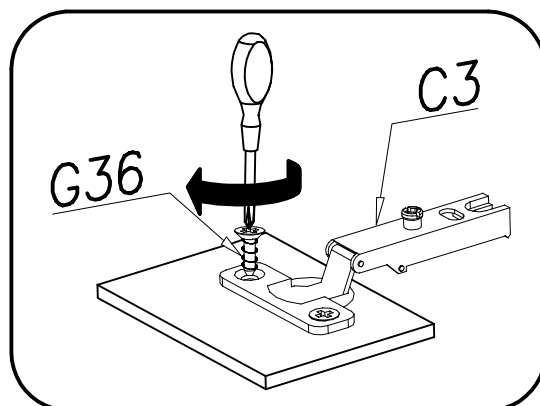
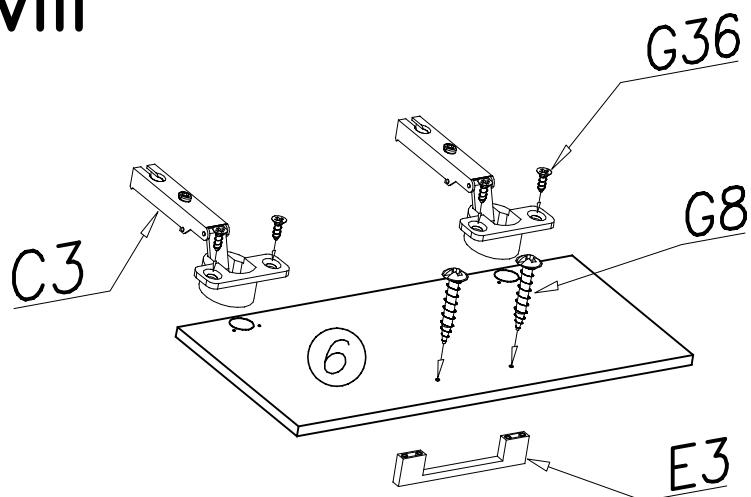


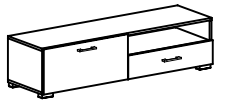


VII

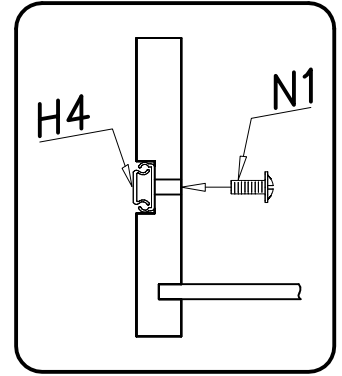
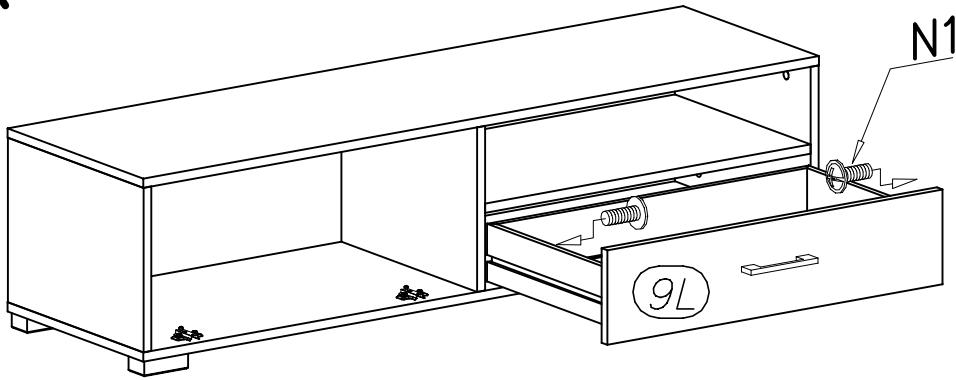


VIII

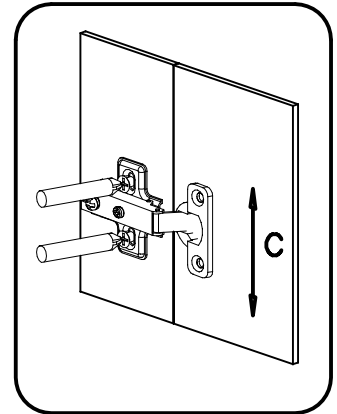
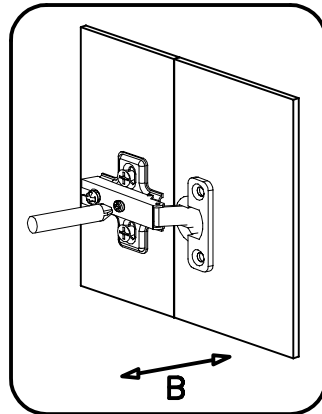
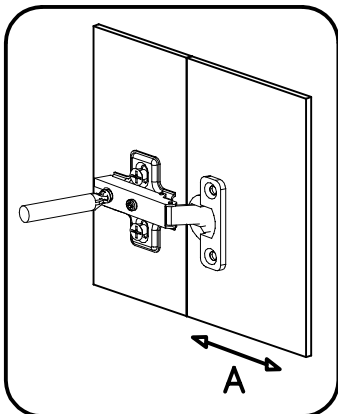
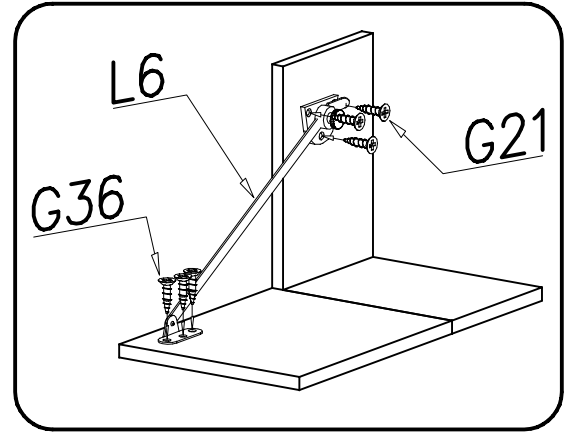
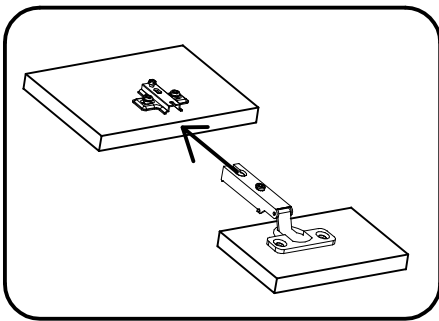
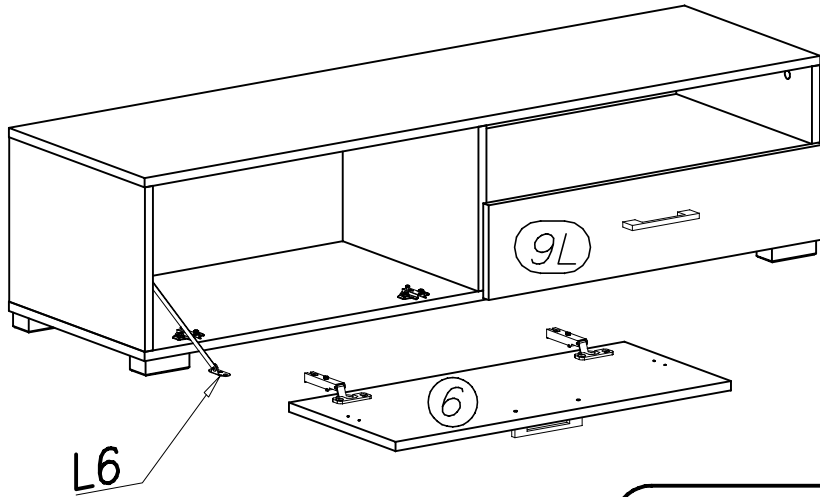


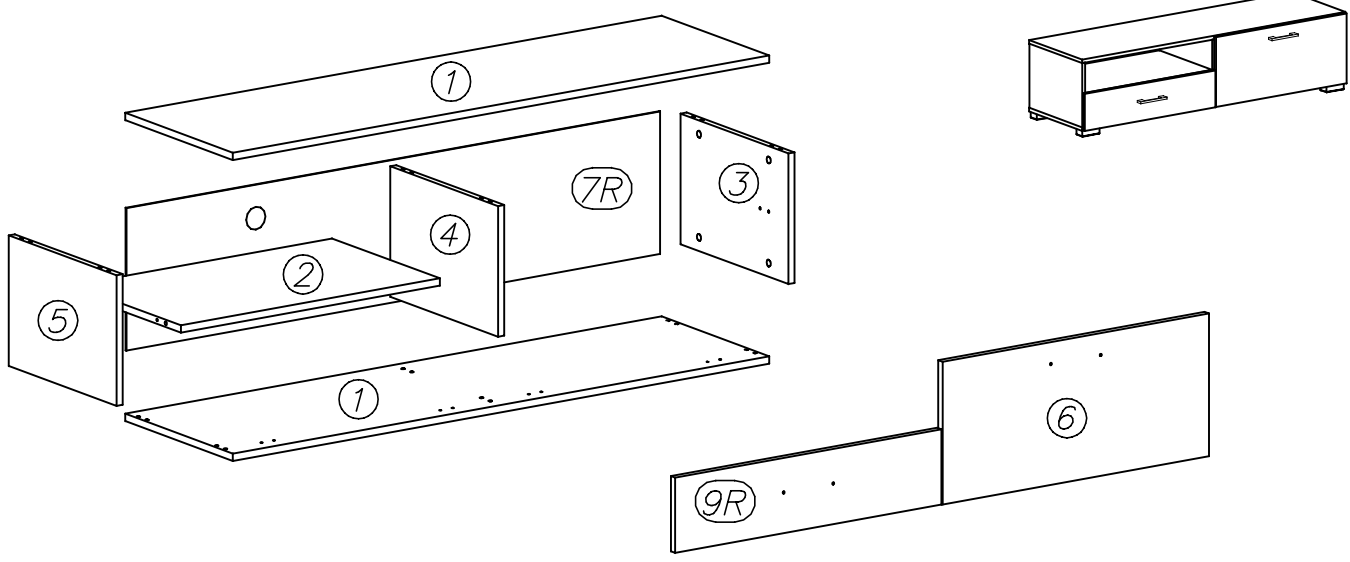
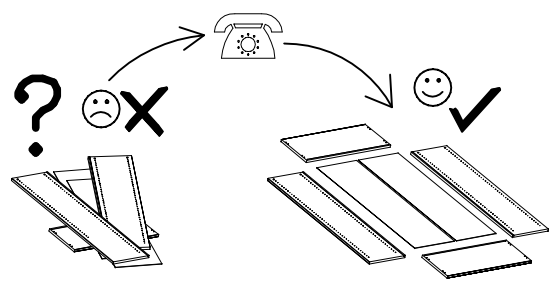
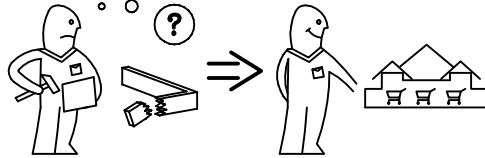
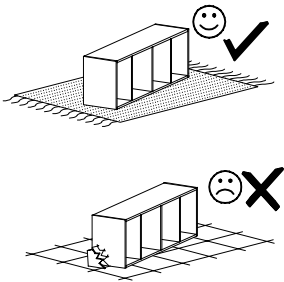


IX

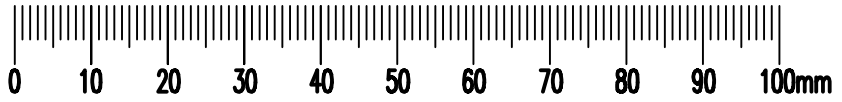
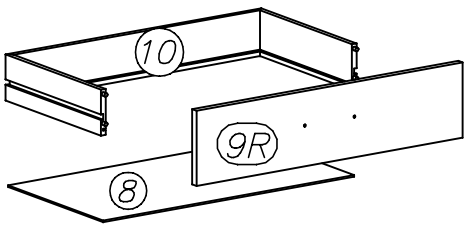


X

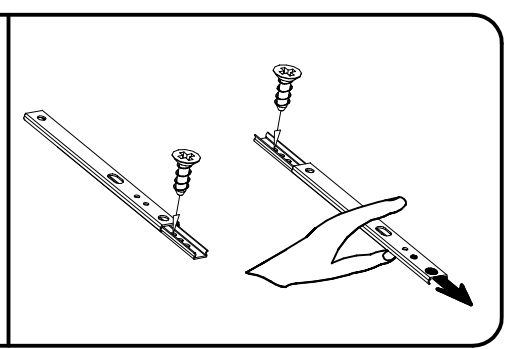
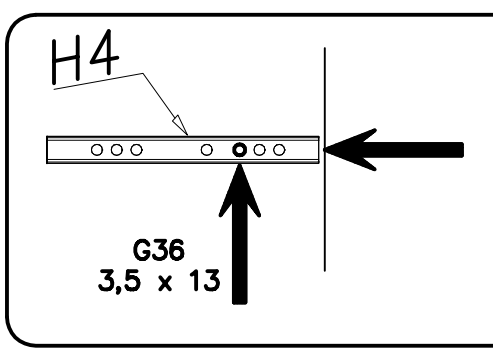
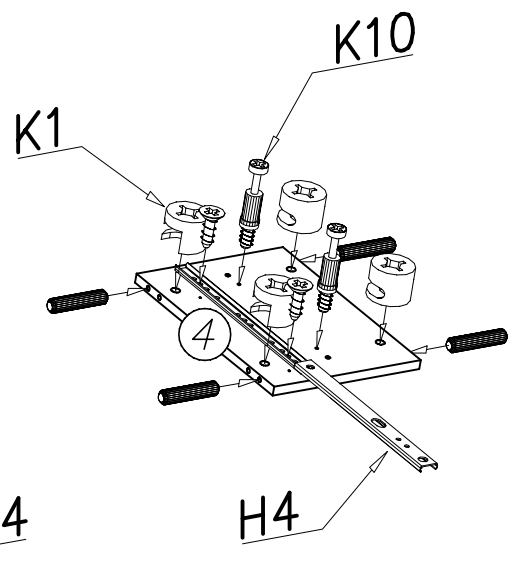
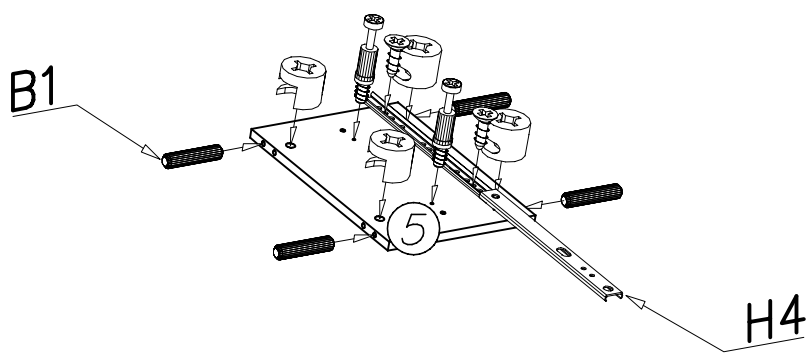
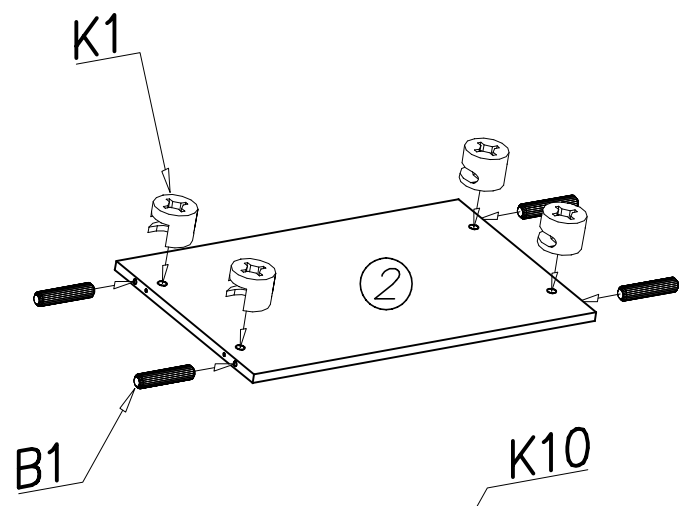
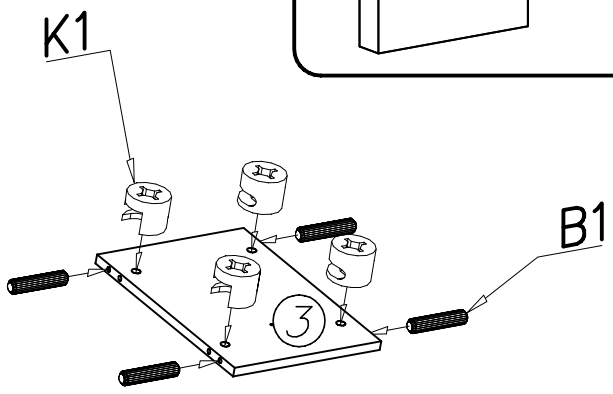
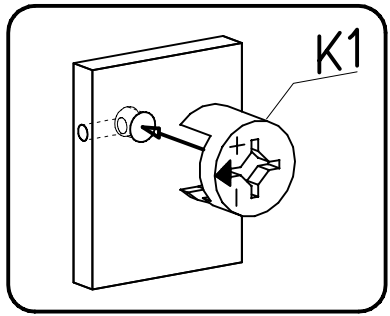
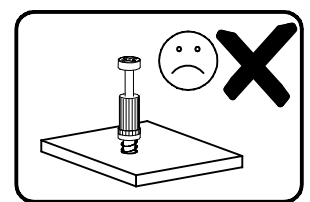
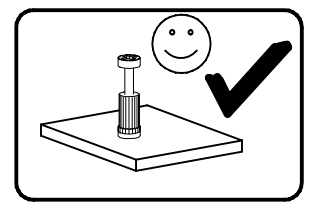
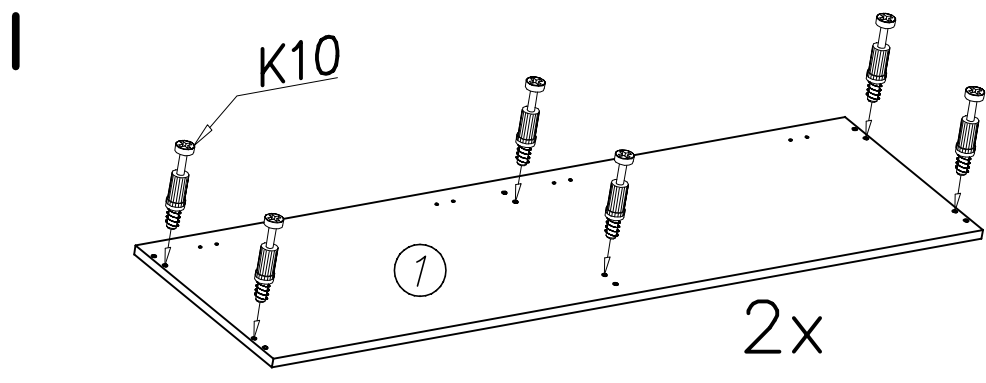
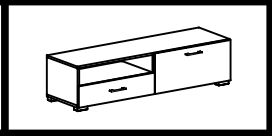


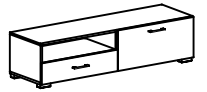


1	x2	Colli 2/4
2	x1	Colli 2/4
3	x1	Colli 2/4
4	x1	Colli 2/4
5	x1	Colli 2/4
6	x1	Colli 2/4
7R	x1	Colli 2/4
8	x1	Colli 2/4
9R	x1	Colli 2/4
10	x1	Colli 2/4

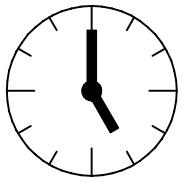
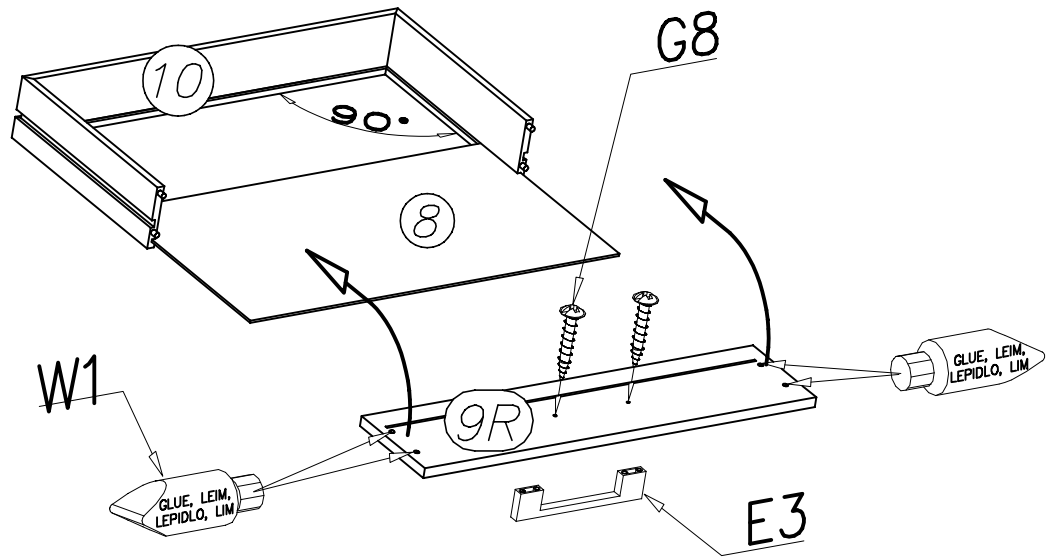
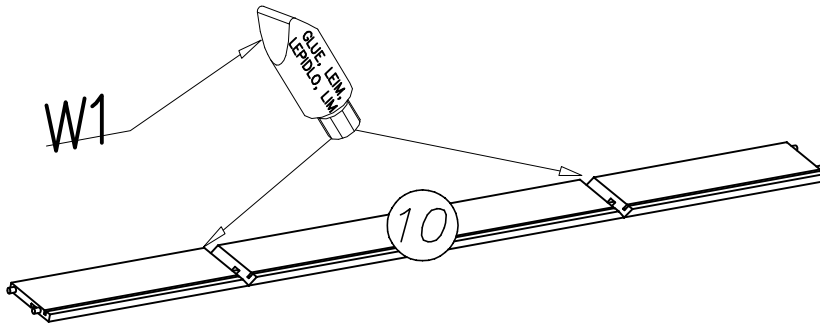


H4 350mm x...(2)	W1 x...(1)	N1 M4x9 x...(2)		
G23 4x40 x...(15)	P17 x...(5)	B1 ø8x35 x...(16)	I7 ø18 x...(16)	G21 3x16 x...(3)
K1 ø15x12 x...(16)	L6 x...(1)	G8 4x30 x...(4)	W4 x...(30)	G36 3,5x13 x...(11)
K10 x...(16)		C3 Z35PR x...(2)	D3 PZ35PR x...(2)	E3 128mm x...(2)



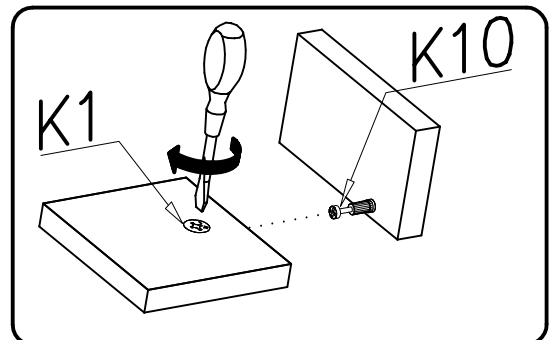
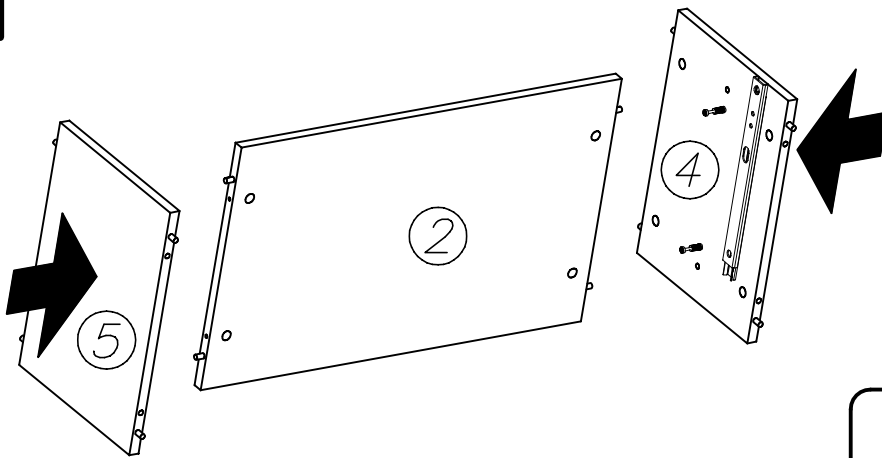


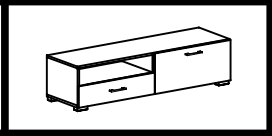
II



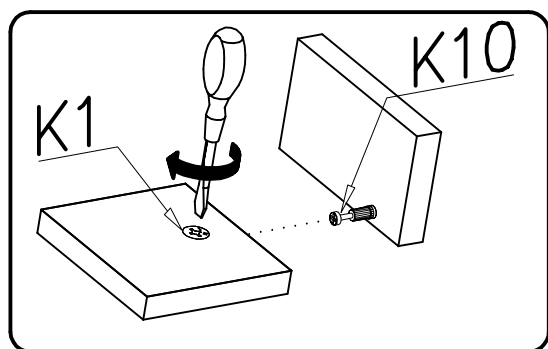
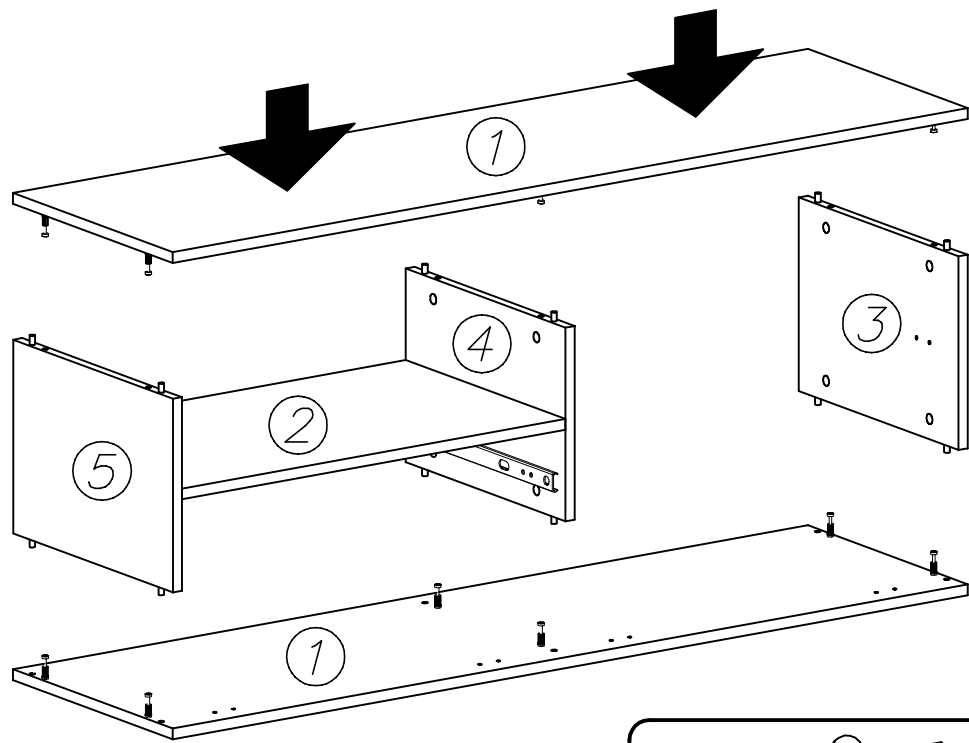
0,5h

III

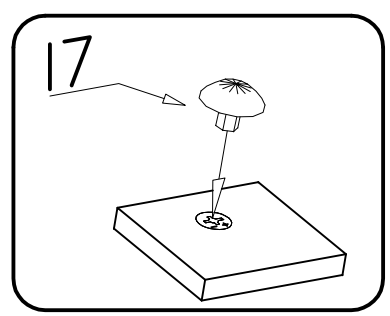
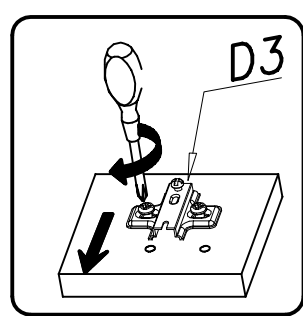
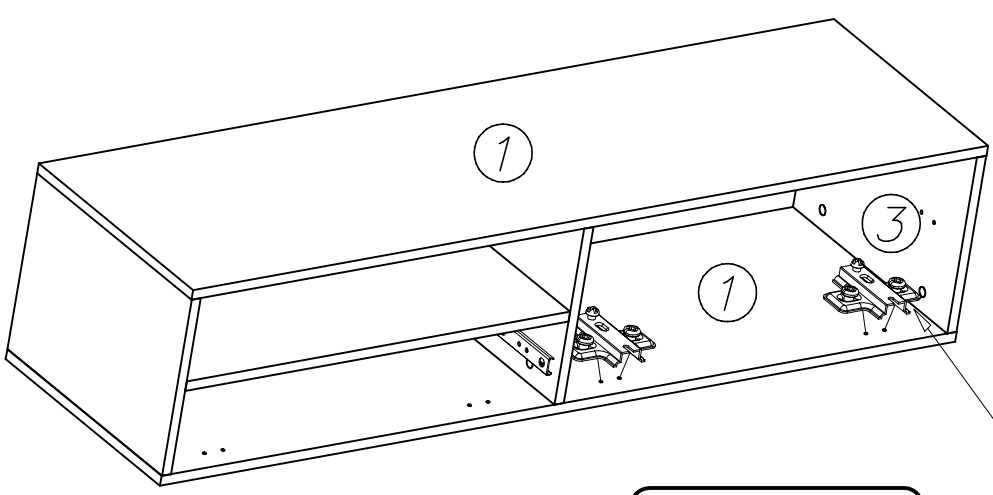


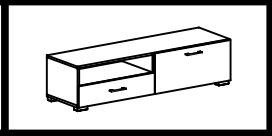


IV

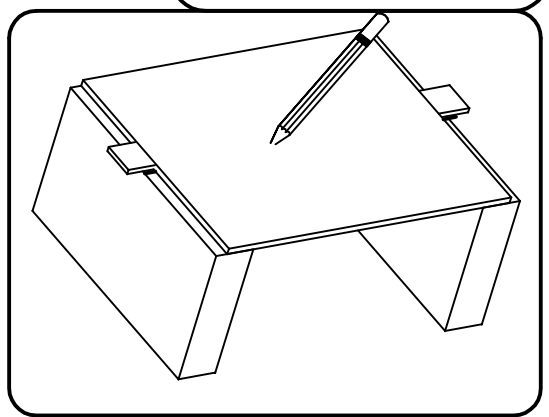
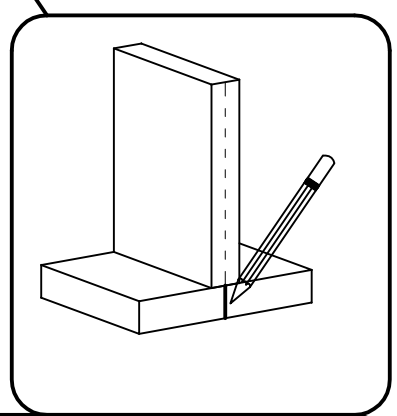
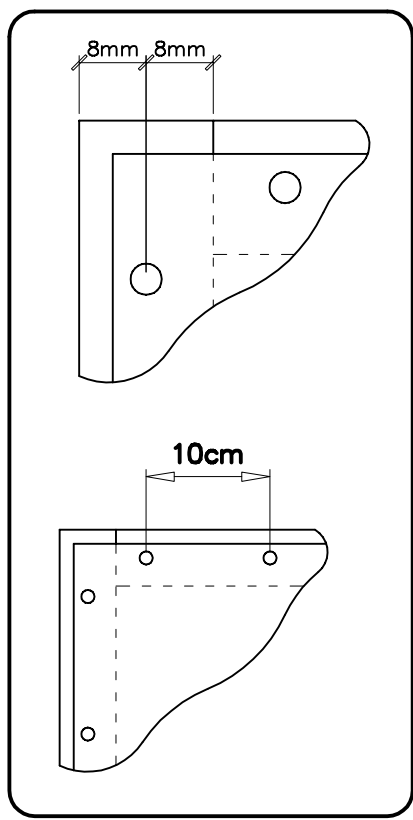
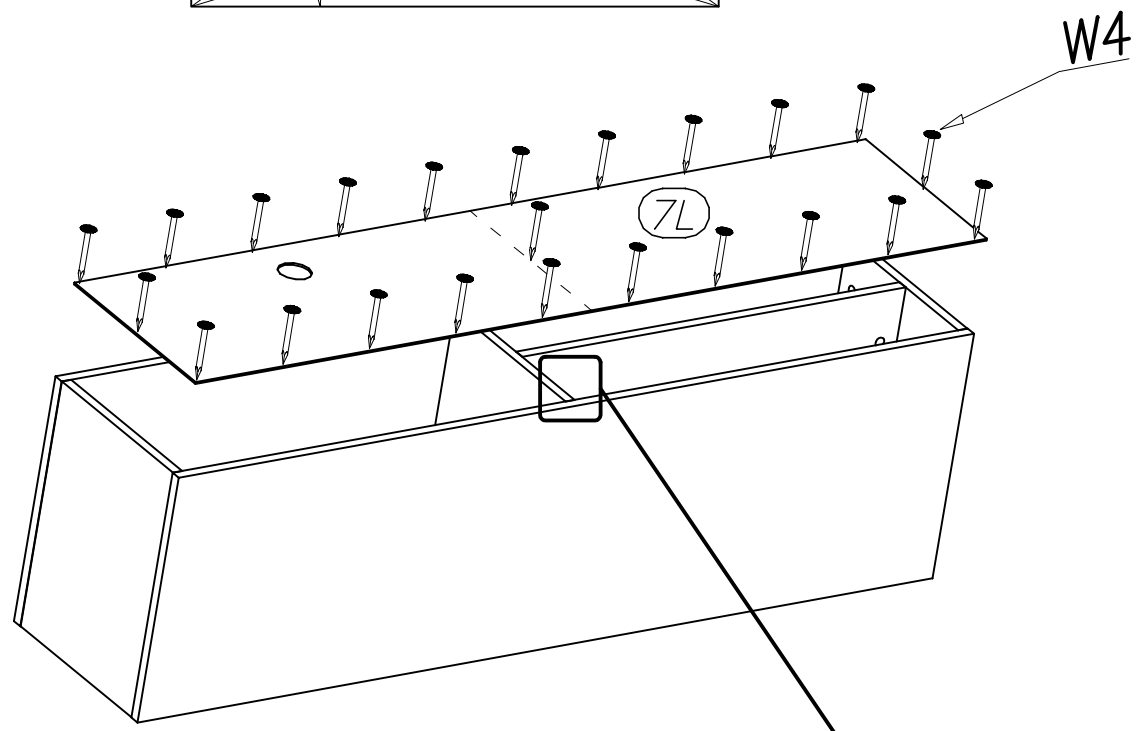
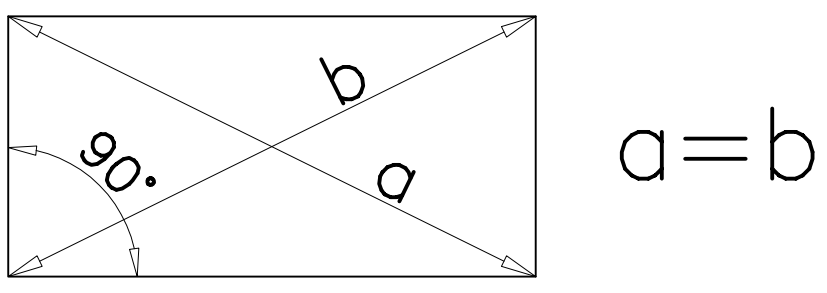


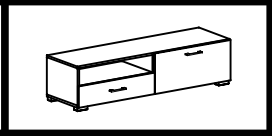
V



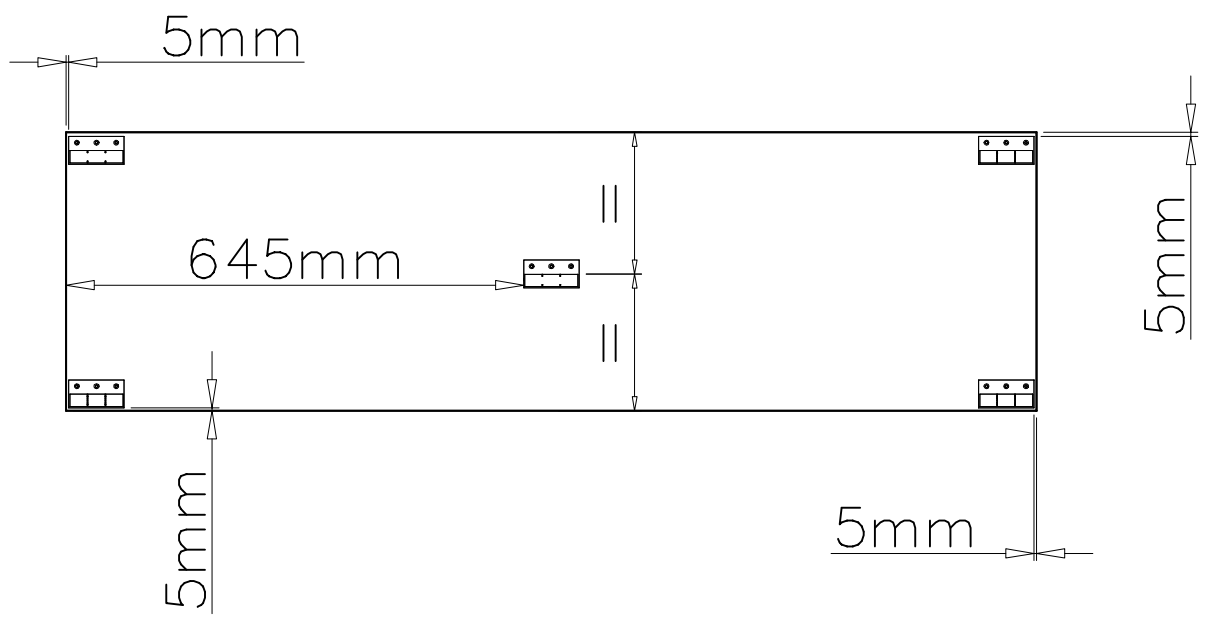
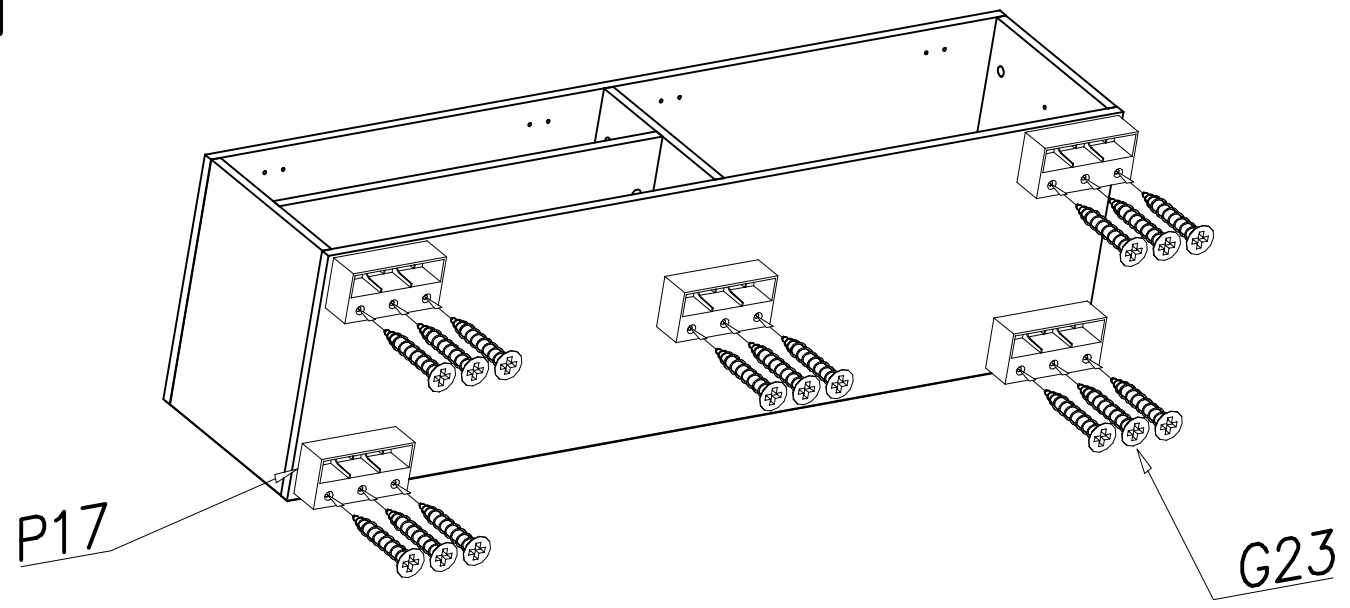


VI

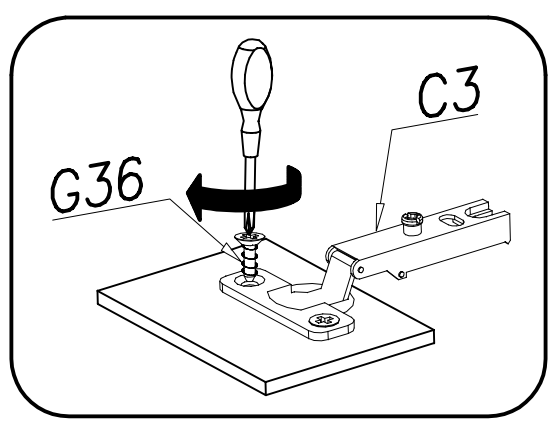
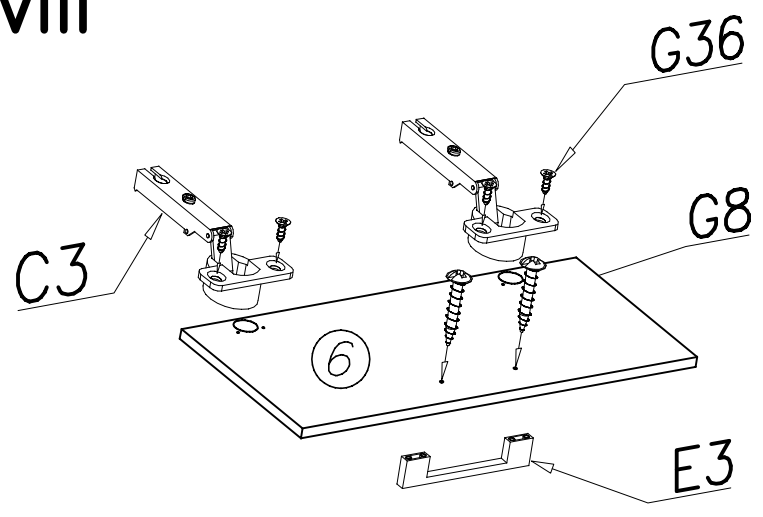


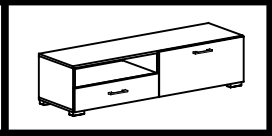


VII

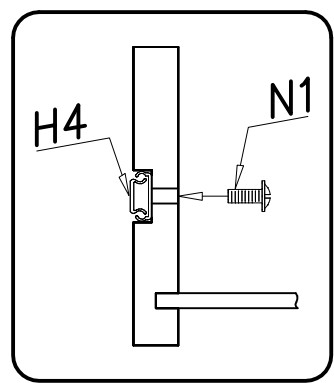
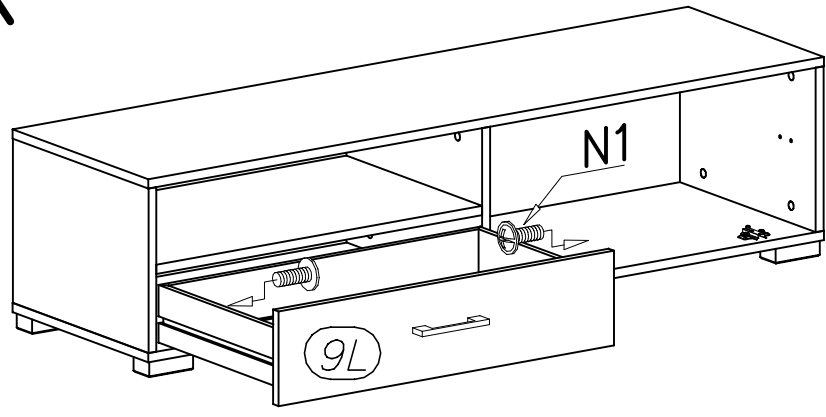


VIII

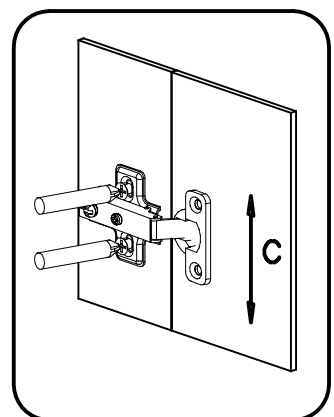
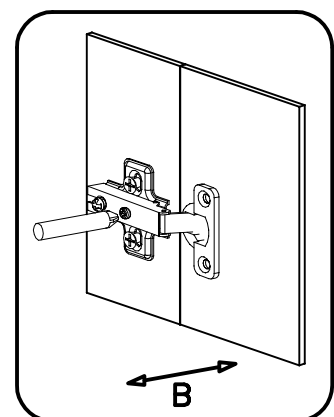
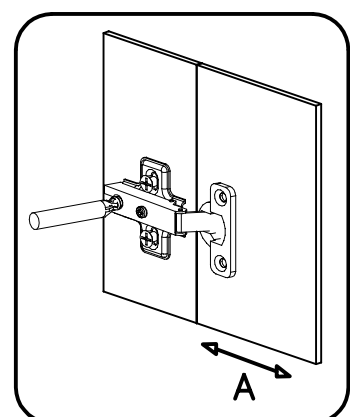
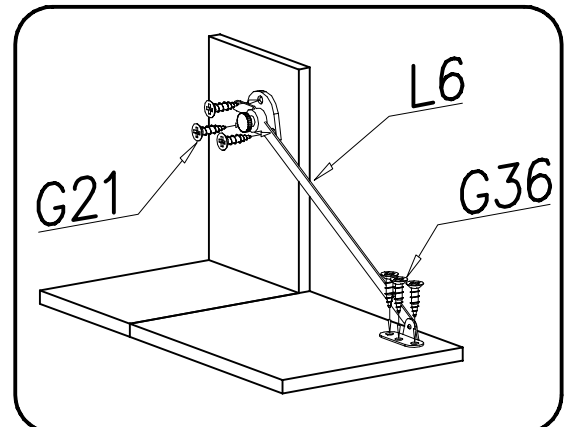
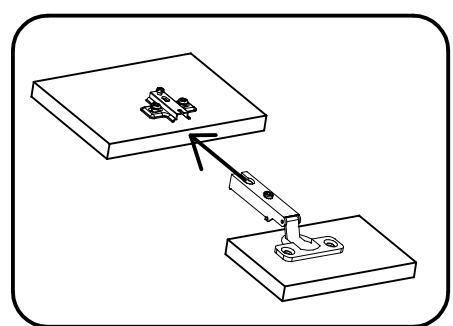
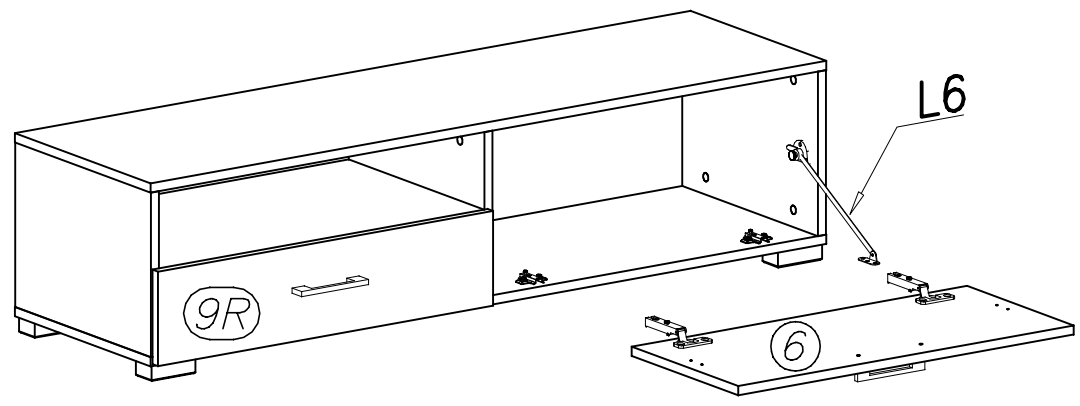


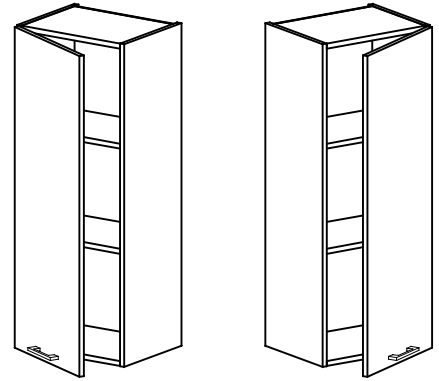
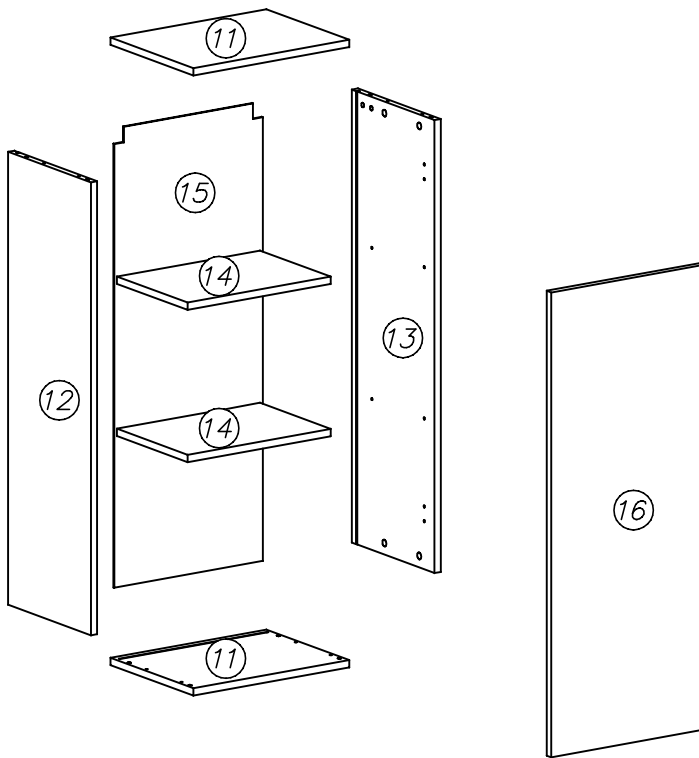
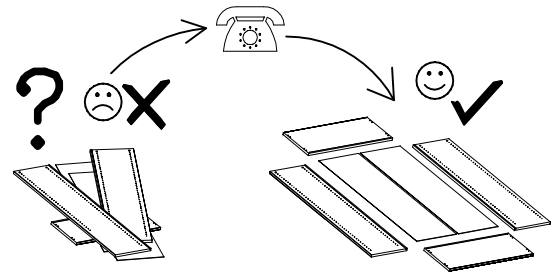
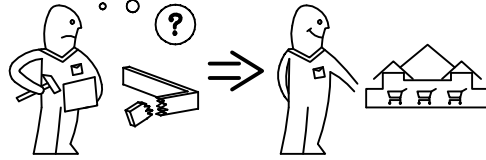
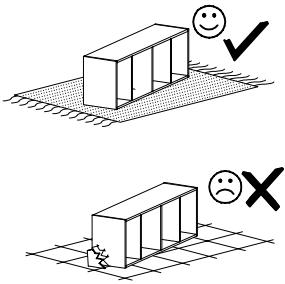


IX


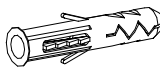
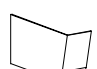

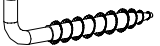


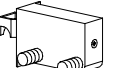


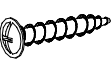
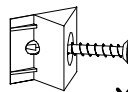
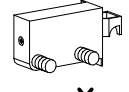
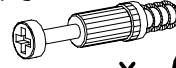

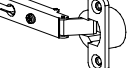




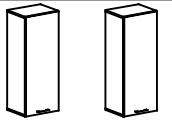
X



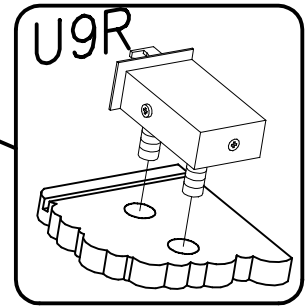
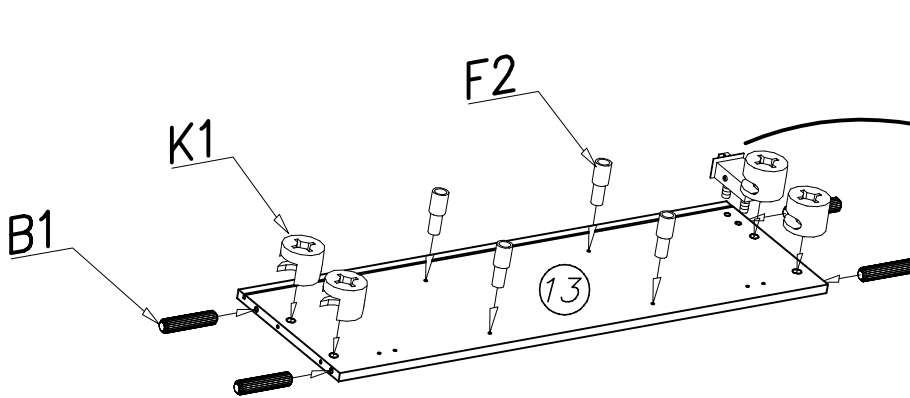
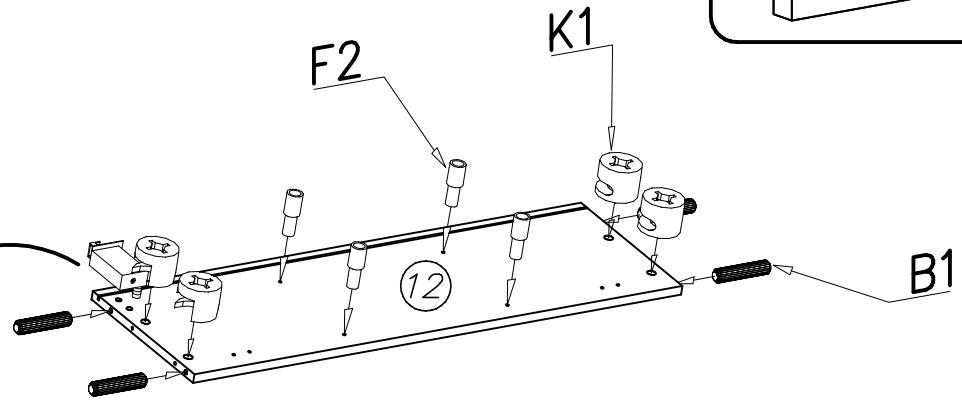
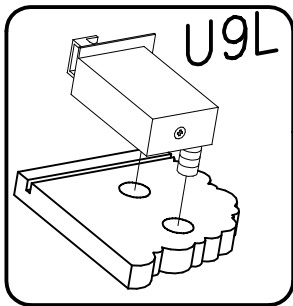
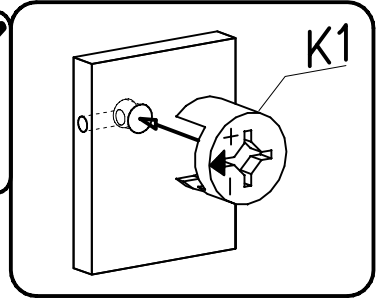
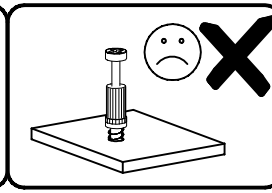
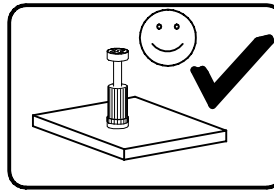
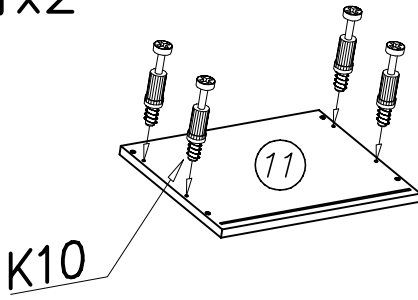


11	x4	Colli 4/4
12	x2	Colli 4/4
13	x2	Colli 4/4
14	x4	Colli 4/4
15	x2	Colli 3/4
16	x2	Colli 3/4

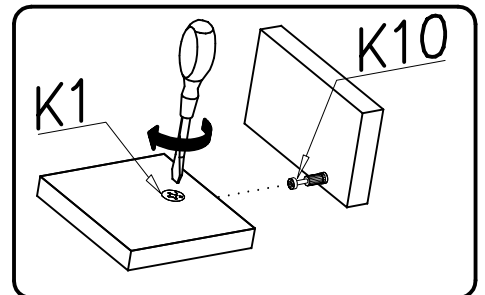
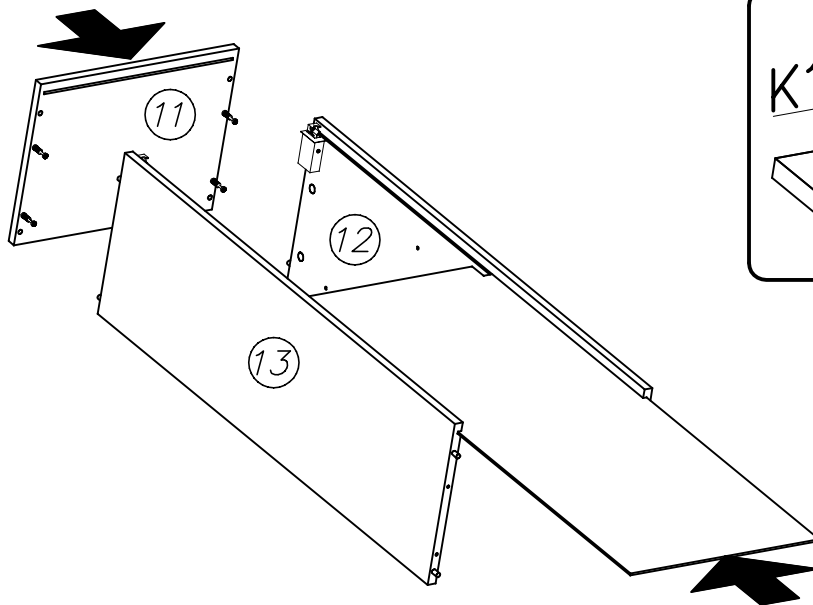
		17  ø18 x...(16)	U8  ø10x60 x...(4)	U10R  x...(2)
U10L  x...(2)	U7  x...(4)	G36  3,5x13 x...(8)	W4  x...(12)	U9L  x...(2)
K1  ø15x12 x...(16)	F2  x...(16)	G8  4x30 x...(4)	I1  x...(8)	U9R  x...(2)
K10  x...(16)	B1  ø8x35 x...(16)	C3  Z35PR x...(4)	D3  PZ35PR x...(4)	E3  128mm x...(2)



I x 2

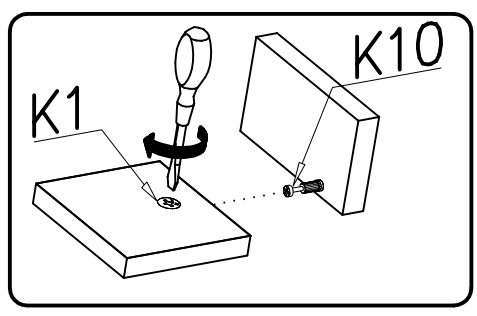
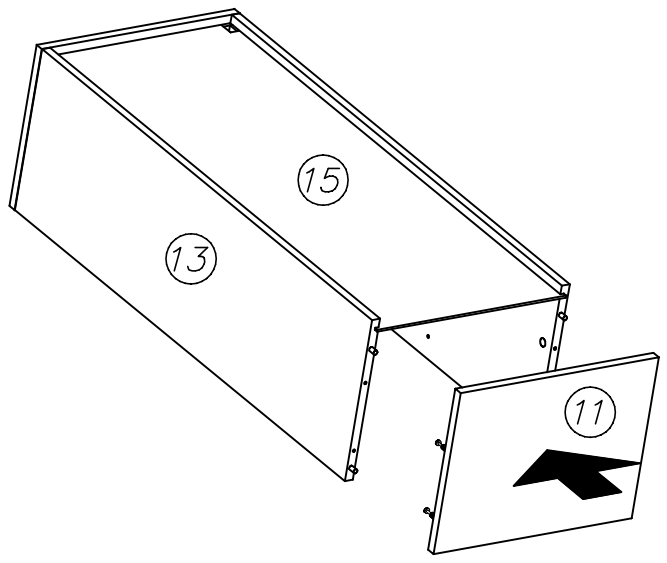


II x 2

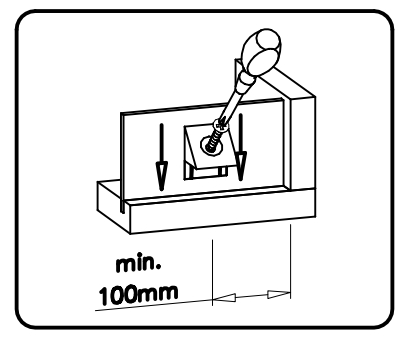
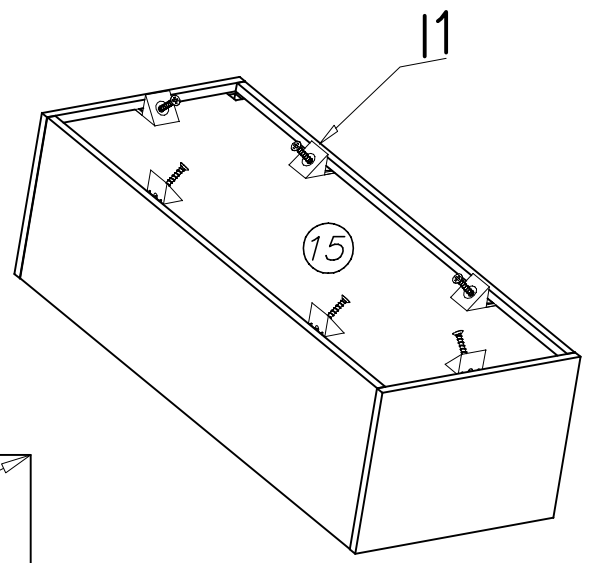




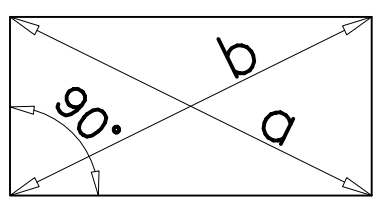
III x 2



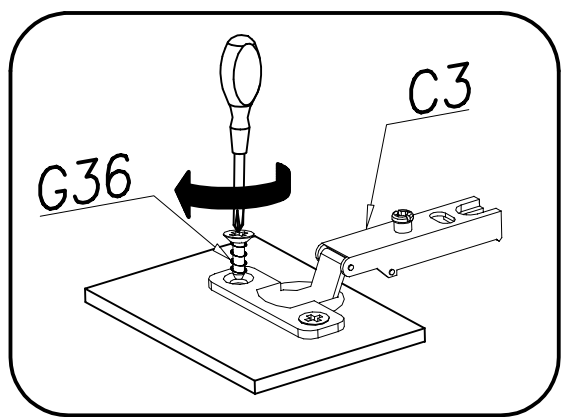
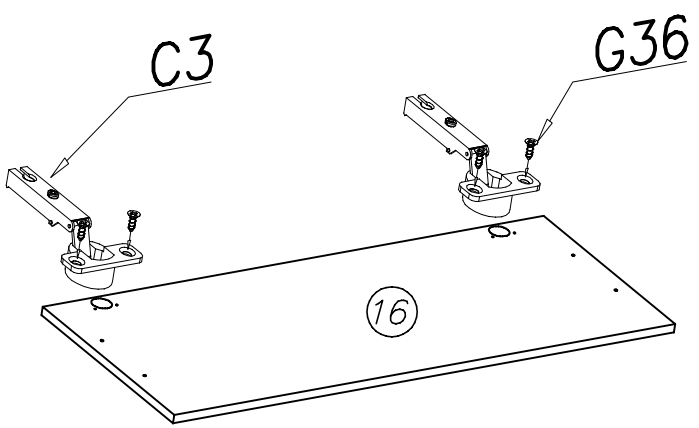
IV x 2

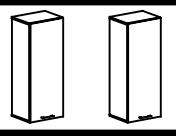


a = b

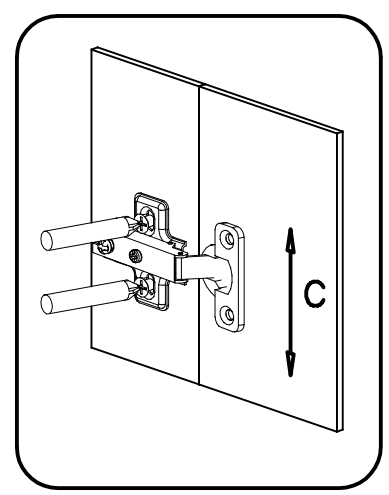
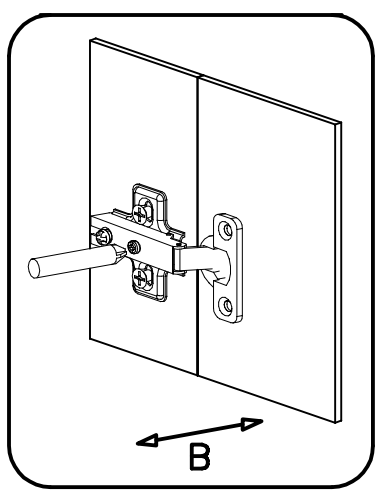
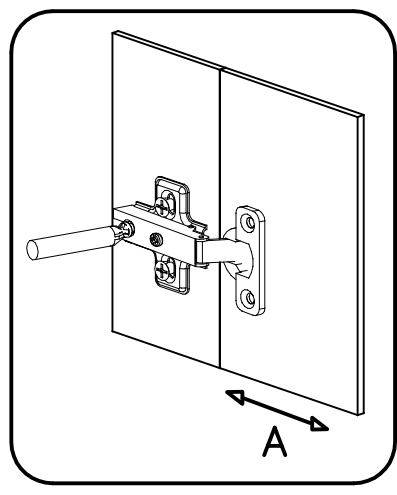
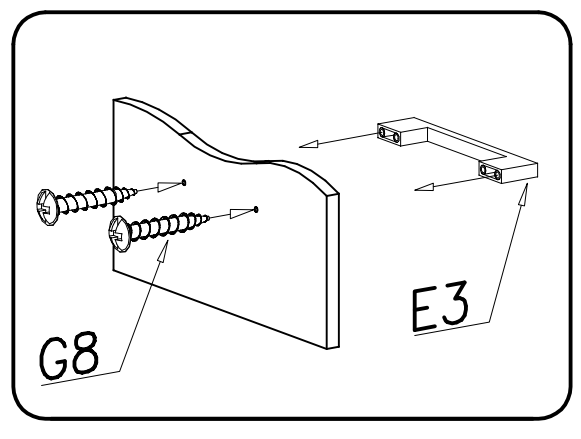
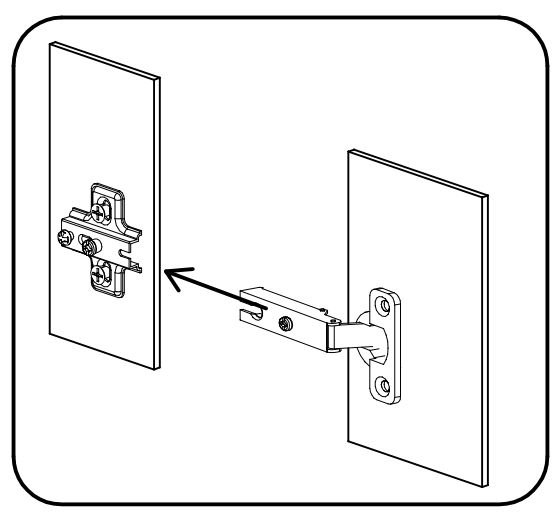
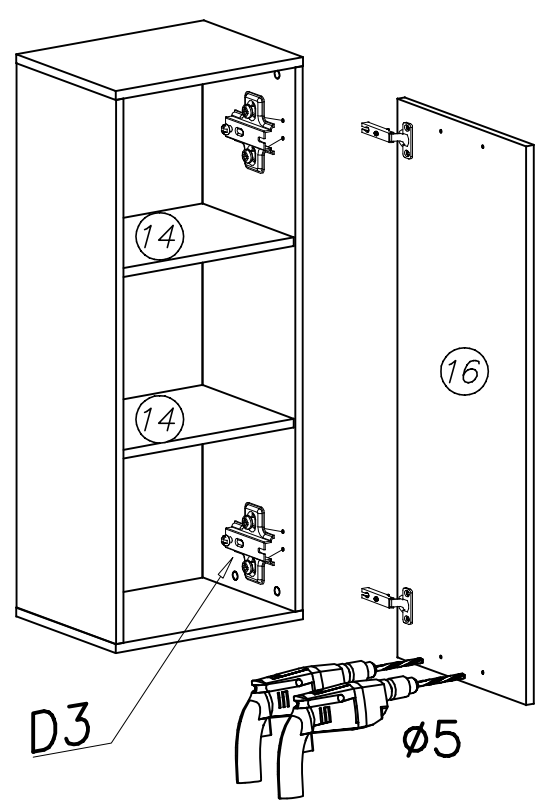
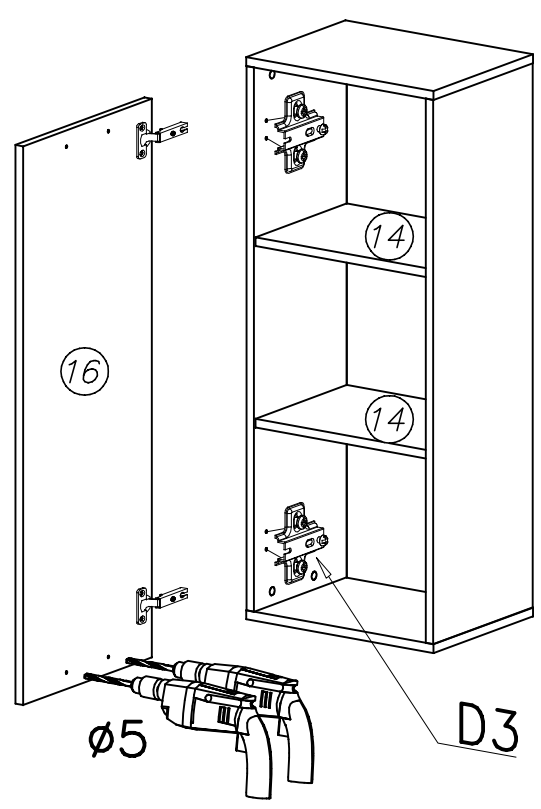


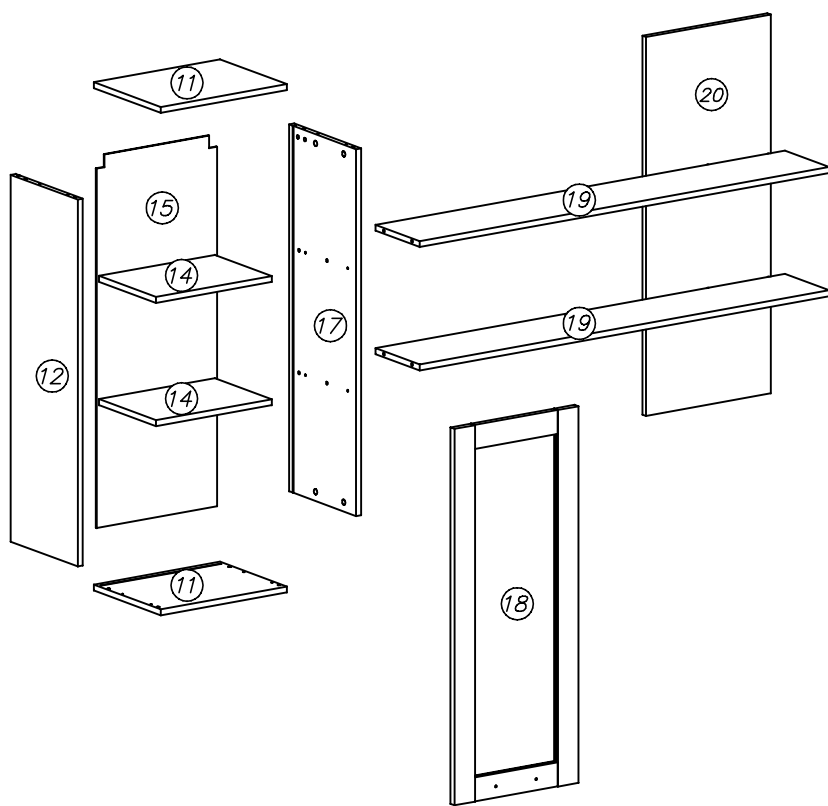
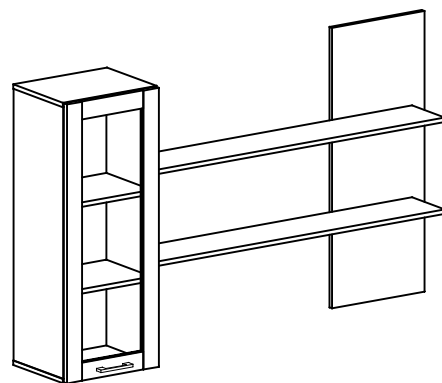
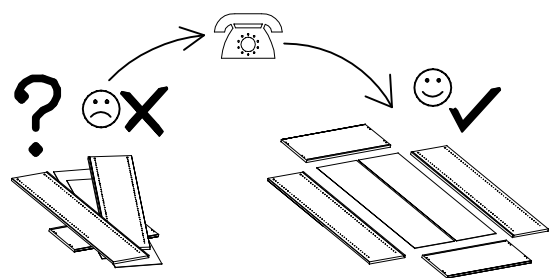
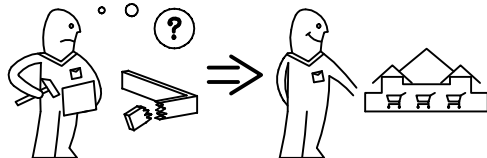
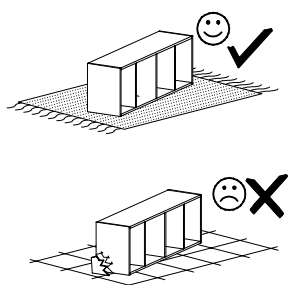
V x 2





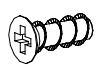

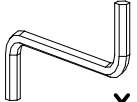
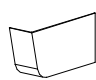


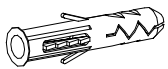
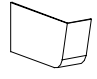
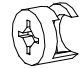
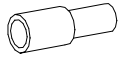
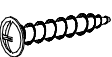

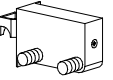
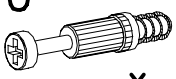

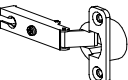
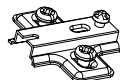



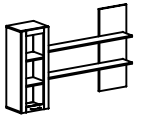
VI



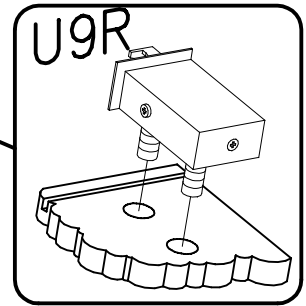
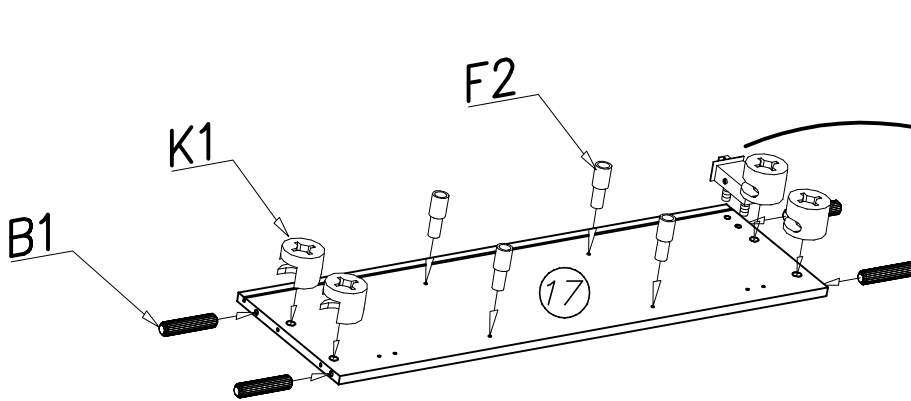
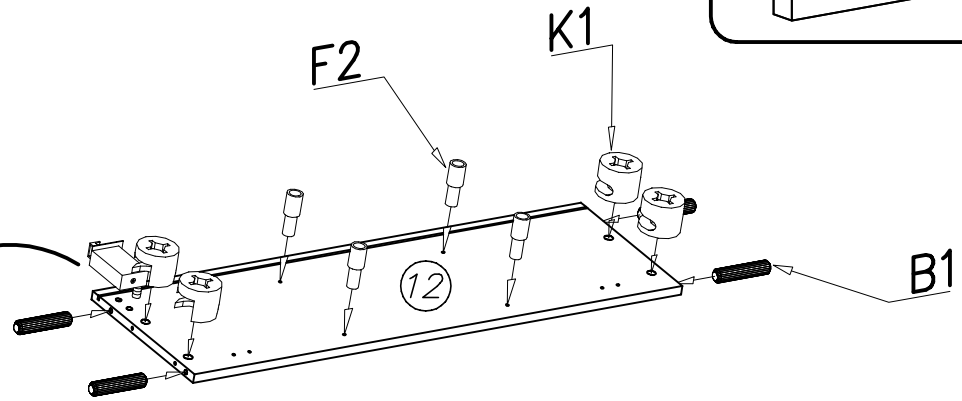
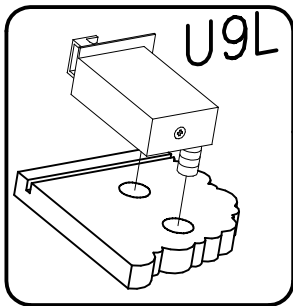
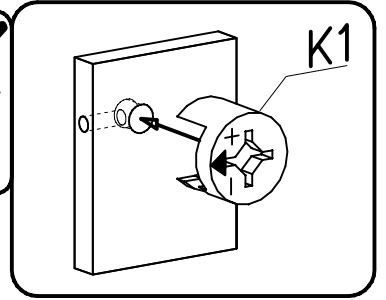
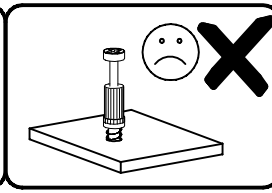
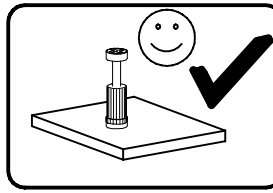
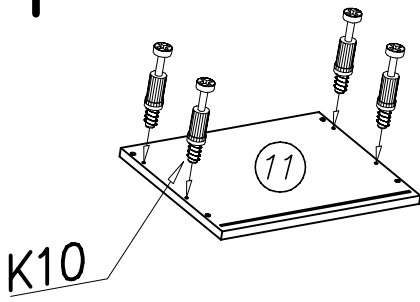


11	x2	Colli 4/4
12	x1	Colli 4/4
14	x2	Colli 4/4
15	x1	Colli 3/4
17	x1	Colli 4/4
18	x1	Colli 3/4
19	x1	Colli 1/4
19	x1	Colli 2/4
20	x1	Colli 2/4

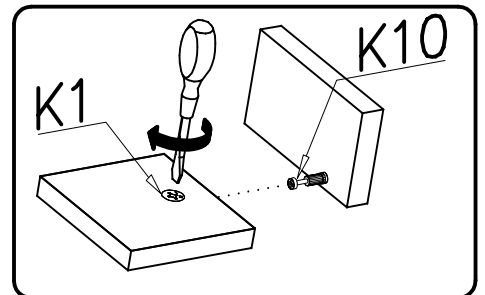
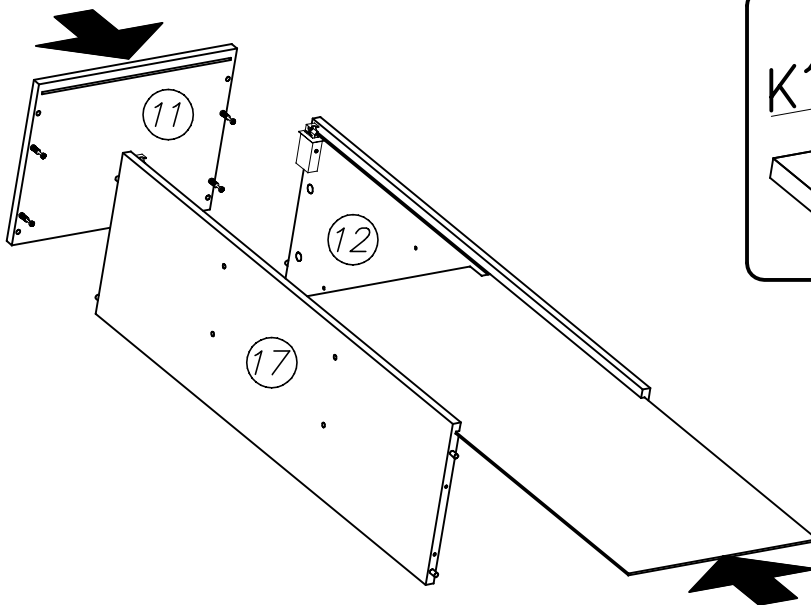
U1	A1	G35	I7	W2
				
x...(2)	ø7x50 x...(8)	6x9 x...(4)	ø18 x...(8)	x...(1)
U10L	U7	G36	U8	U10R
				
x...(1)	x...(4)	3,5x13 x...(4)	ø10x60 x...(4)	x...(1)
K1	F2	G8	W4	U9L
				
ø15x12 x...(8)	x...(8)	4x30 x...(2)	x...(6)	x...(1)
K10	B1	C3	D3	E3
				
x...(8)	ø8x35 x...(8)	Z35PR x...(2)	PZ35PR x...(2)	128mm x...(1)

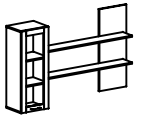


I

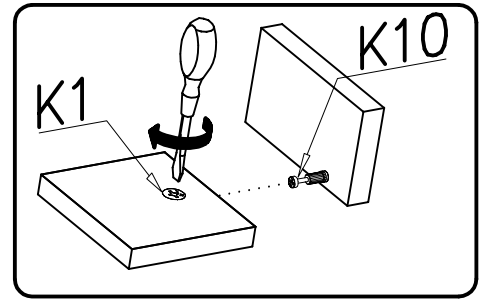
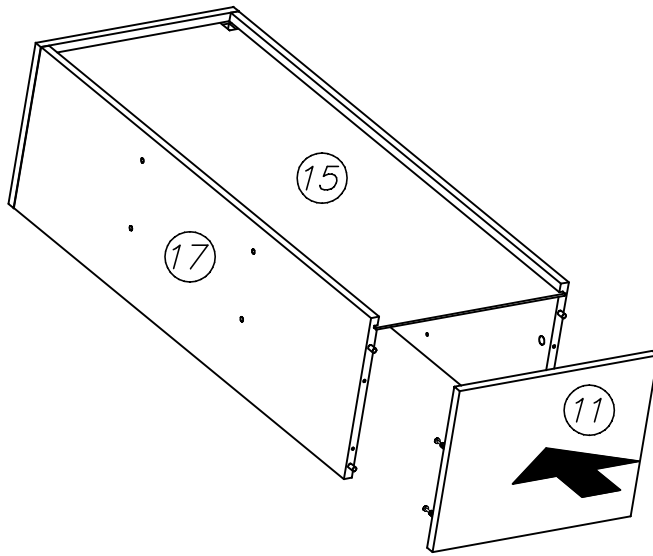


II

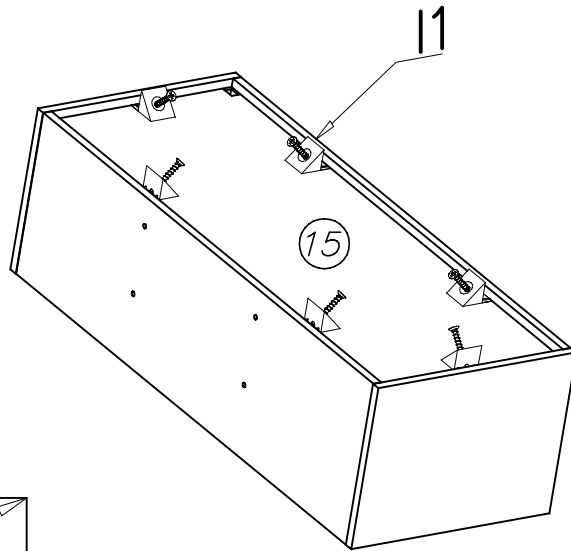




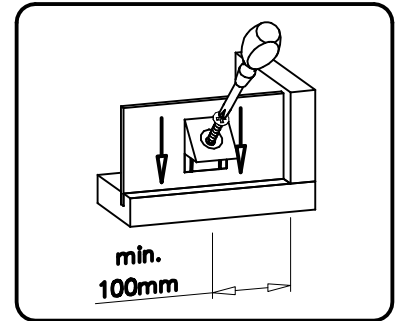
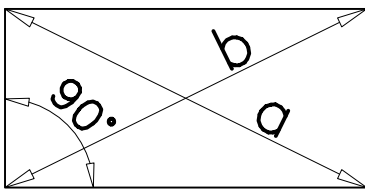
III



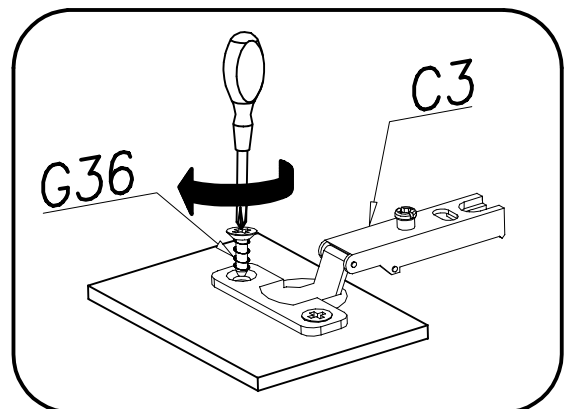
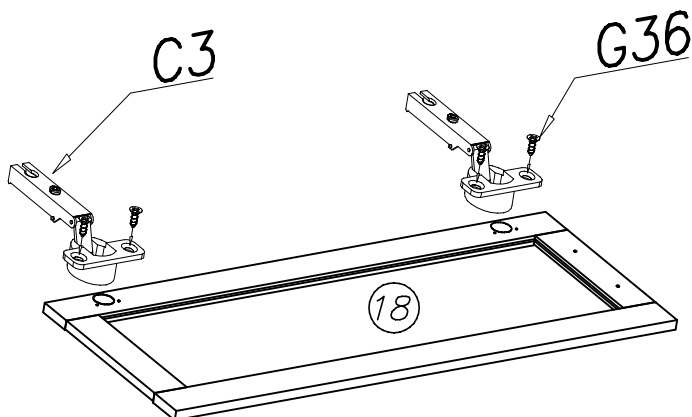
IV

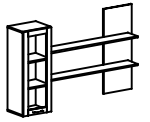


$a=b$

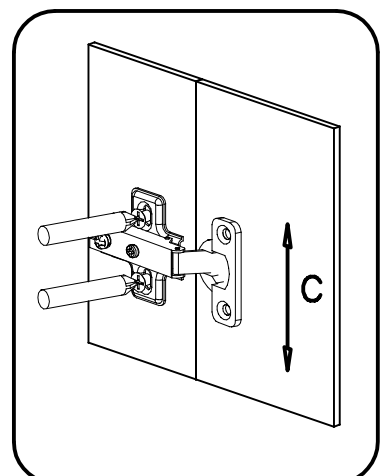
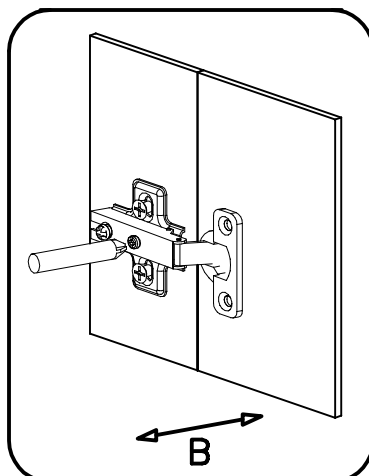
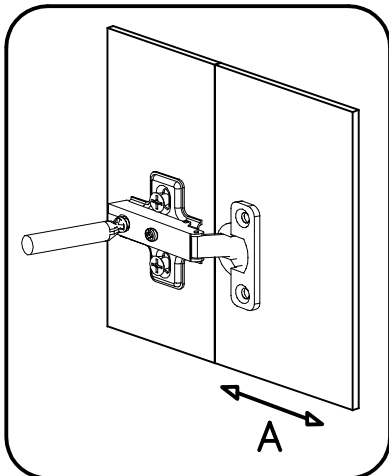
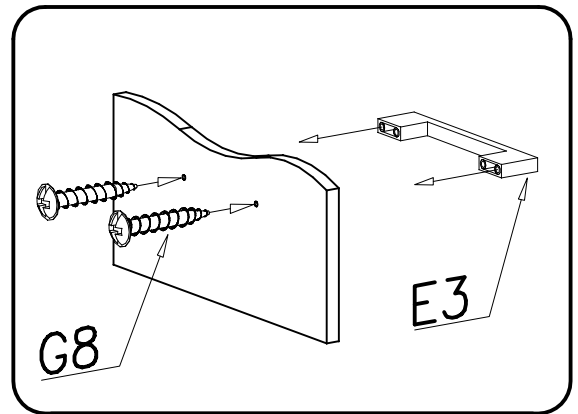
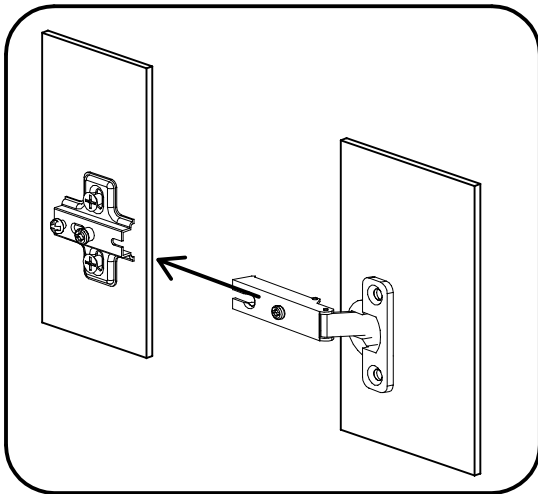
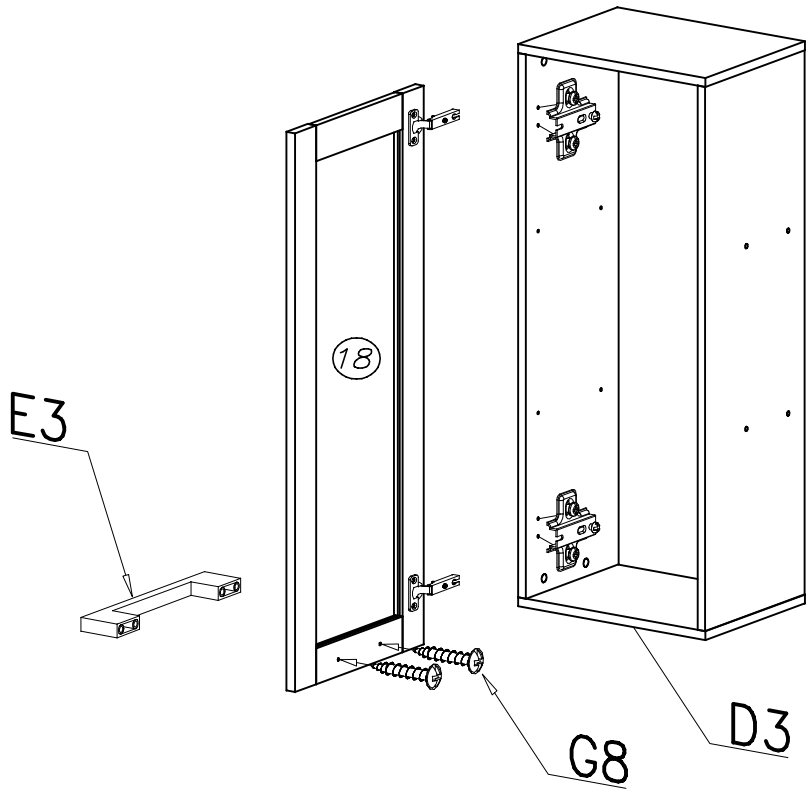


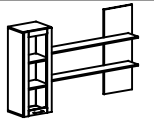
V



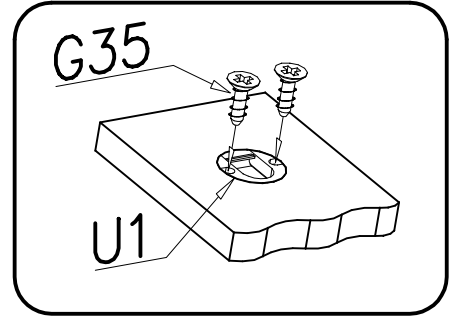
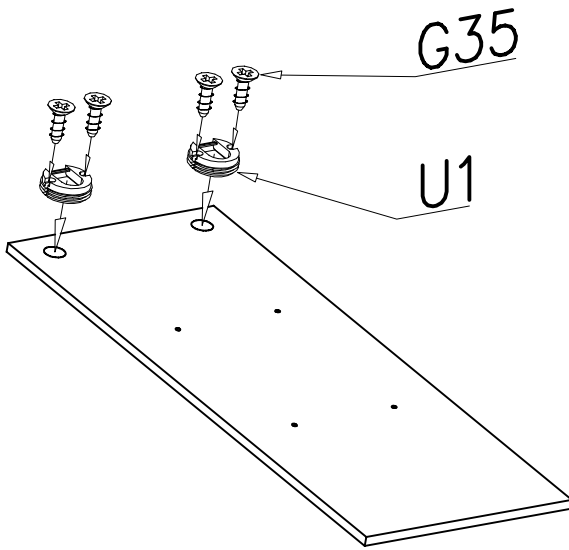


V

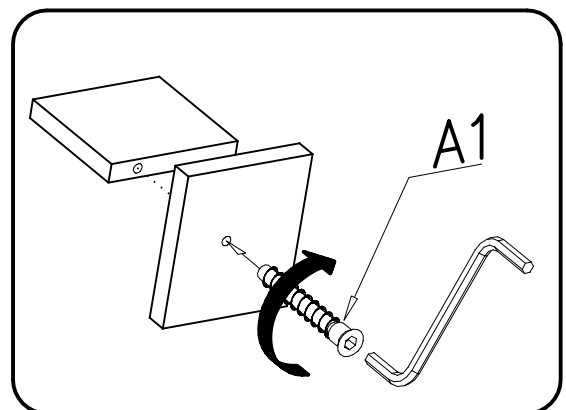
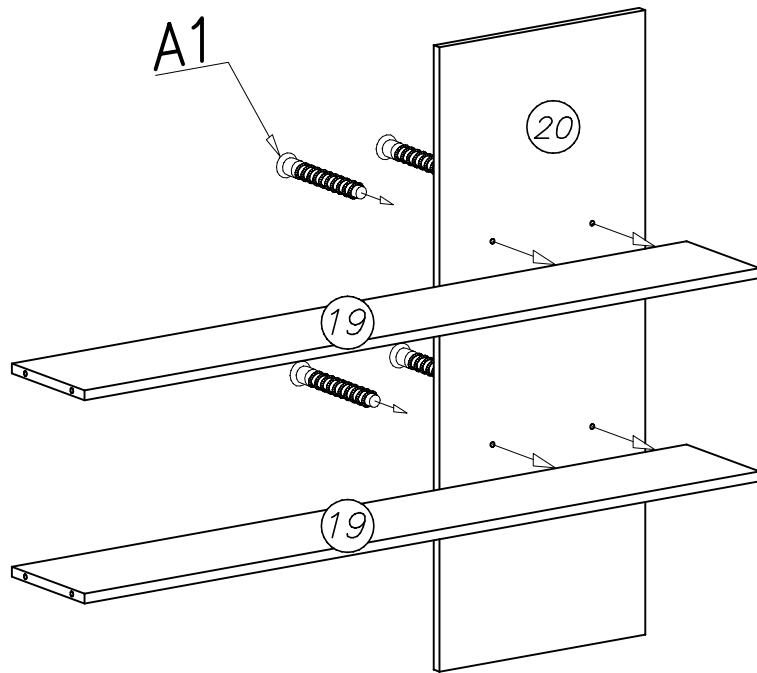
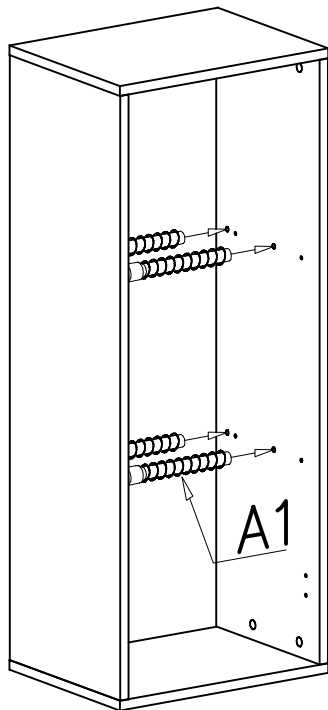


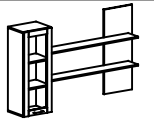


VI

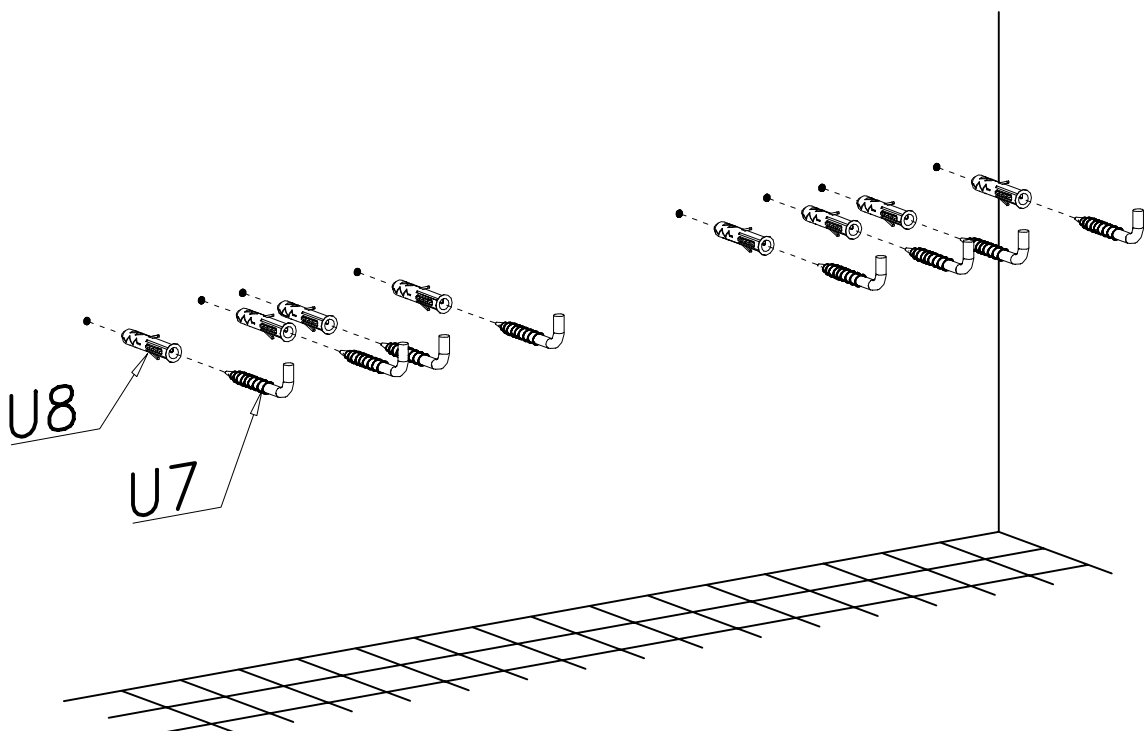
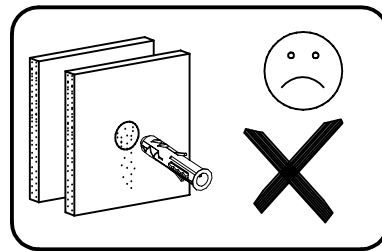
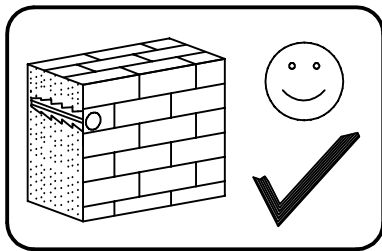
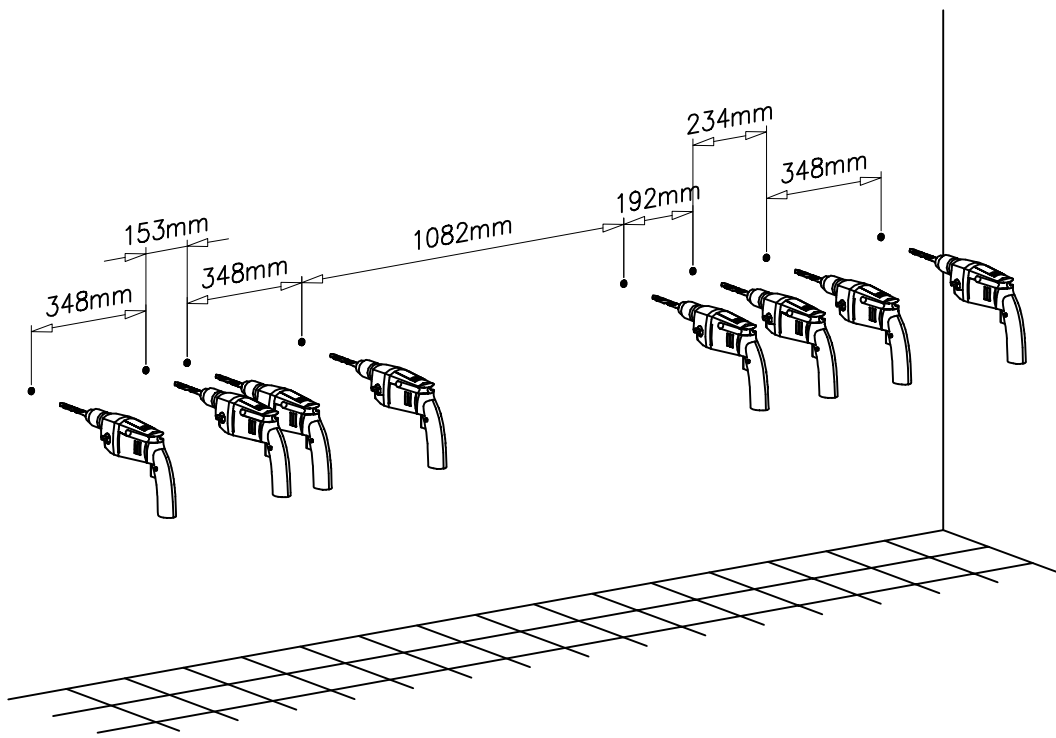


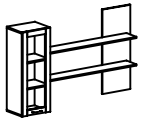
VII





VIII





IX

