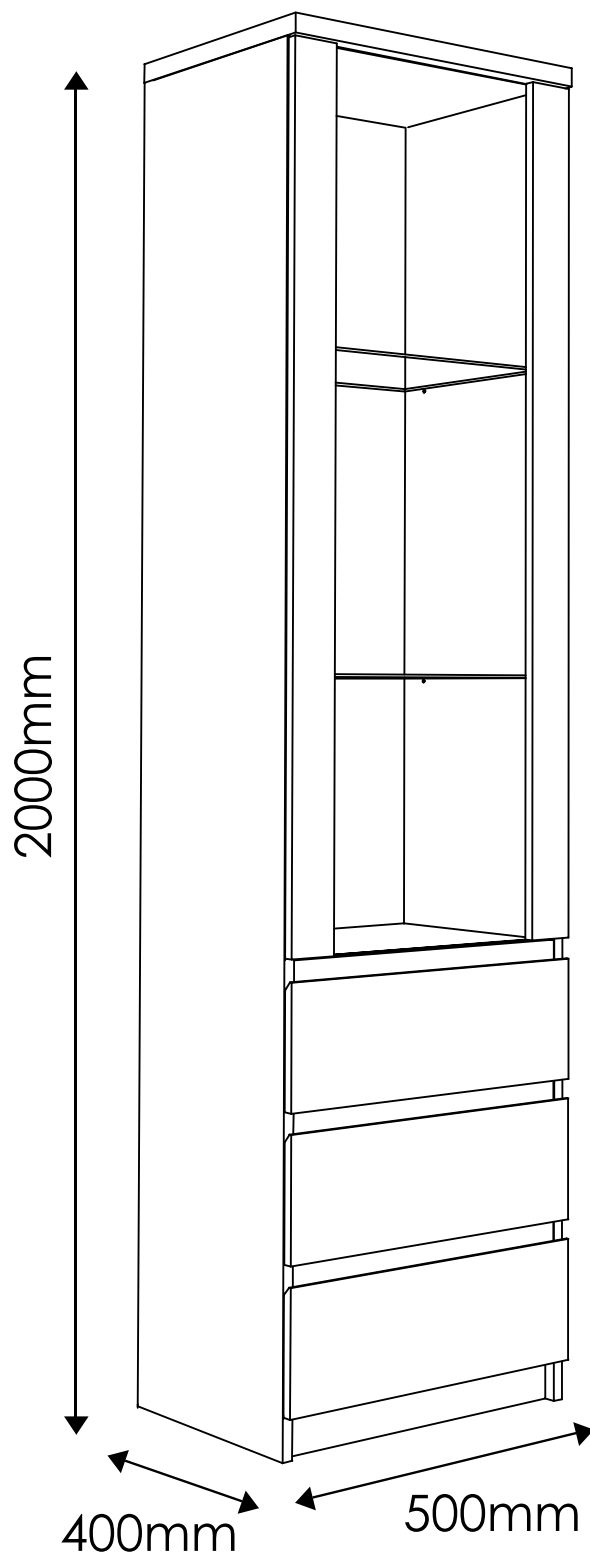
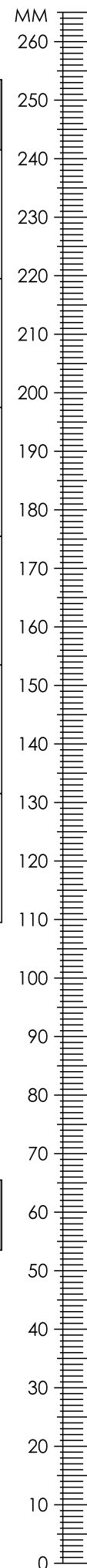



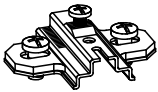
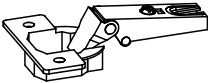








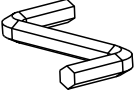

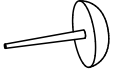


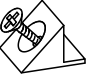
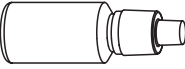
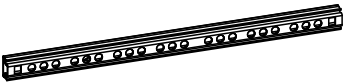

# PELLO

TYP 01 - Vitrína 1D-3S

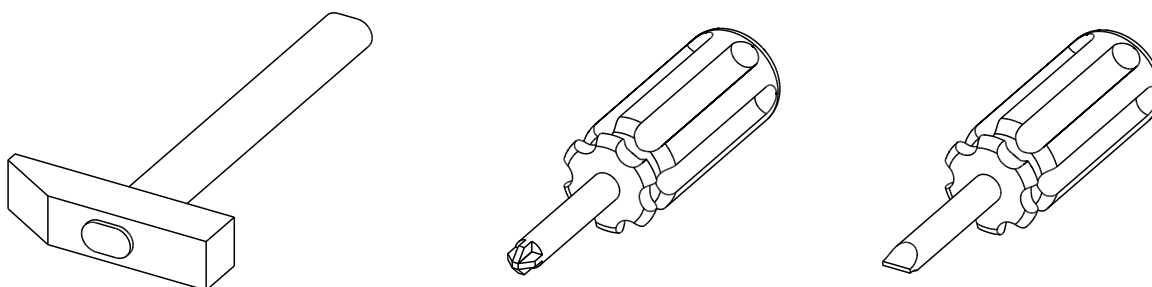


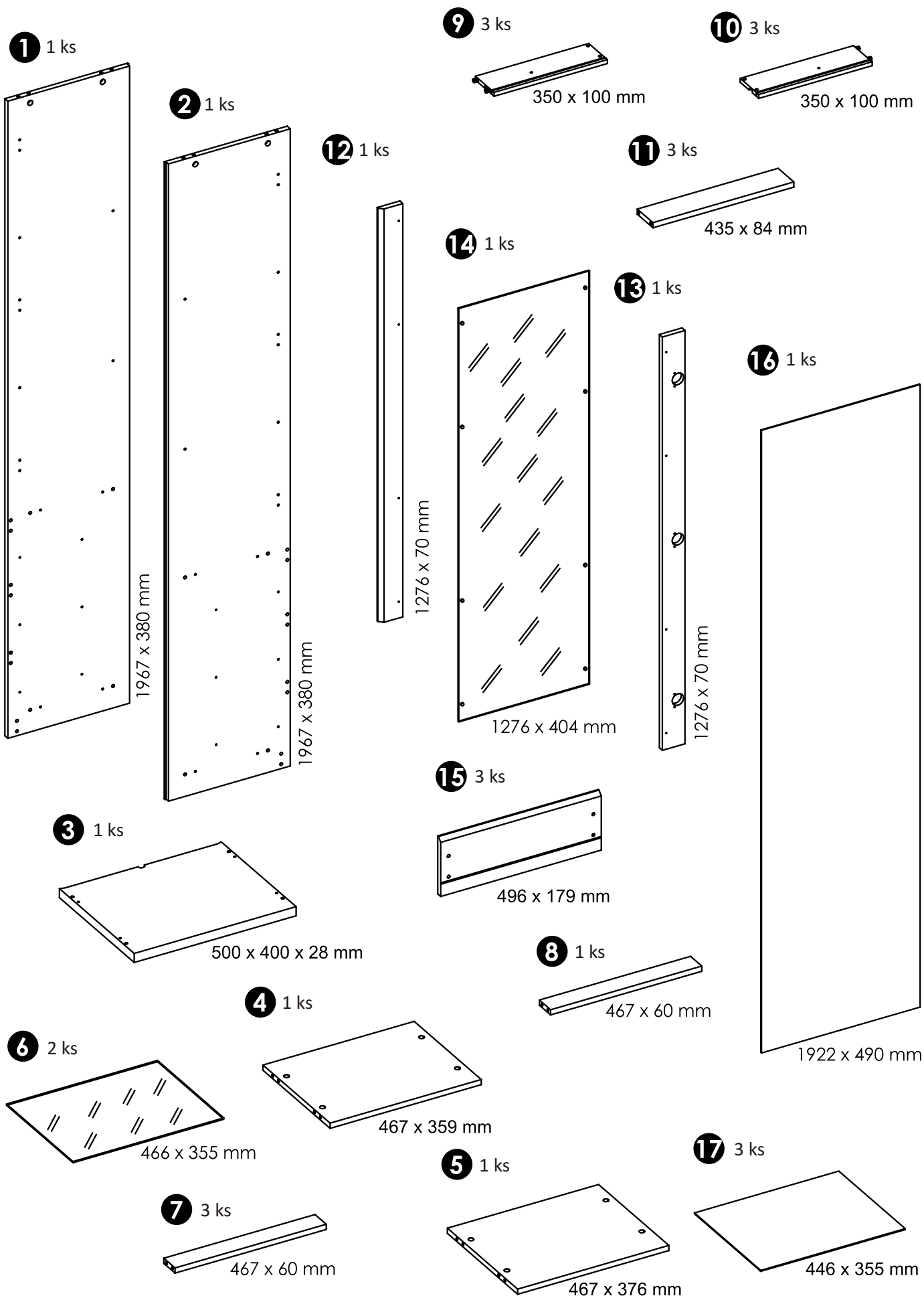


## Kovanie:

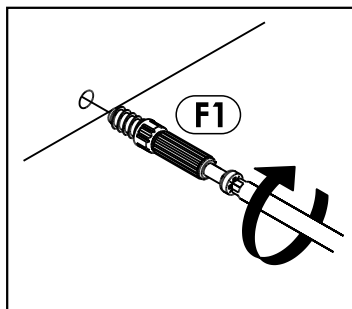
<b>A1</b> 40 ks ø8 x 35mm 	<b>B0</b> 3 ks 	<b>B1</b> 3 ks 
<b>C1</b> 6 ks 4 x 13mm 	<b>C2</b> 12 ks 5 x 13mm 	<b>D2</b> 8 ks 
<b>E0</b> 12 ks (do E1) 	<b>E1</b> 12 ks ø15 x 12mm 	<b>F1</b> 12 ks ø6 x 34mm 
<b>I2</b> 9 ks 4 x 16mm 	<b>K1</b> 6 ks M4 x 8mm 	<b>M</b> 1 ks 
<b>N1</b> 60 ks 3 x 16mm 	<b>O2</b> 4 ks 	<b>P0</b> 6 ks ø5 
<b>R3</b> 8 ks 	<b>R4</b> 6 ks 	<b>S</b> 1 ks 
<b>TO</b> 6 ks 	<b>Q9</b> 1 ks 	

## Potrebné náradia:

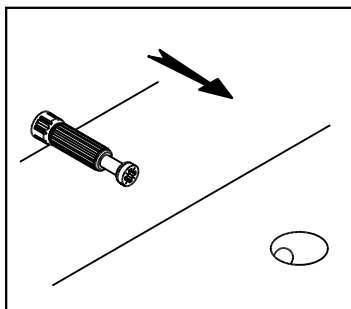




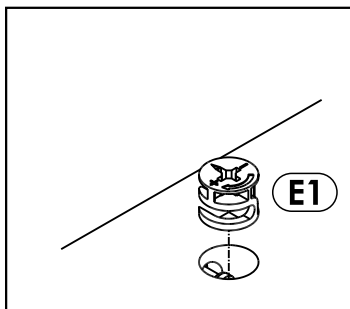
Krok 1:



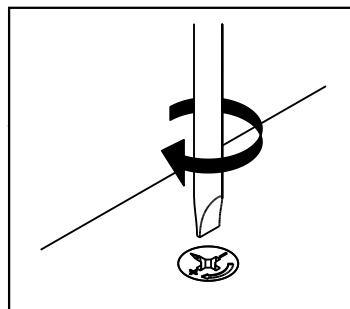
Krok 2:



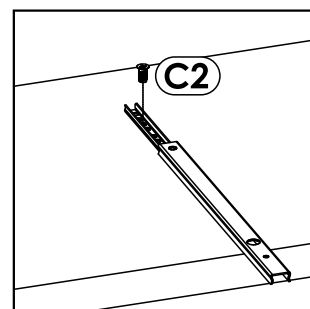
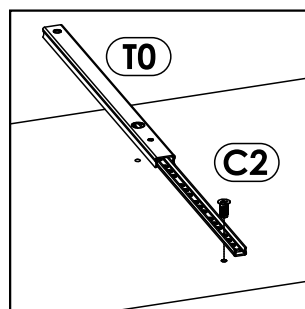
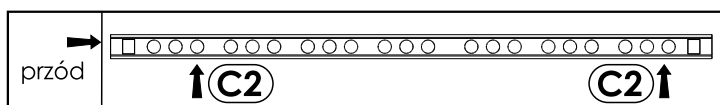
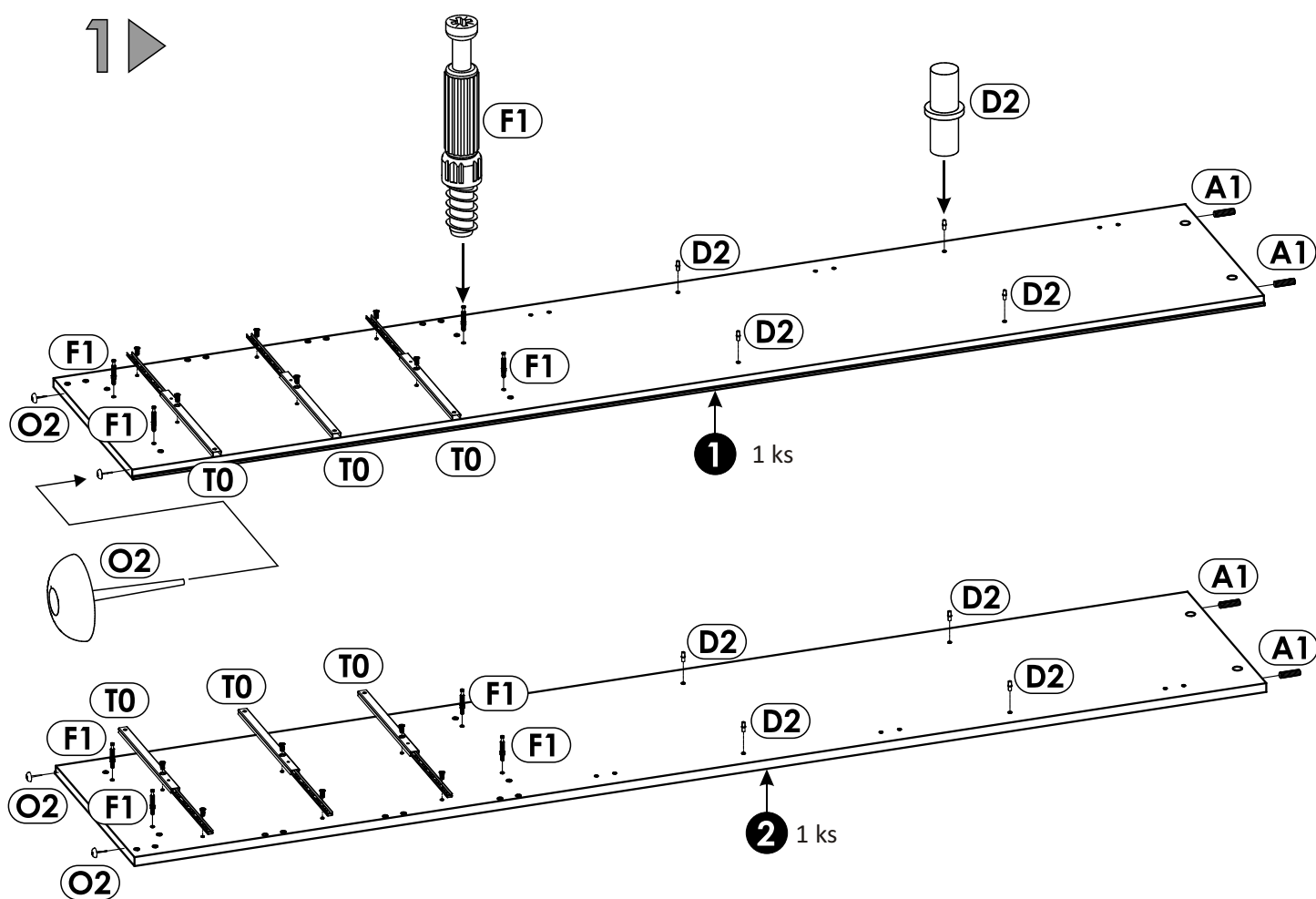
Krok 3:



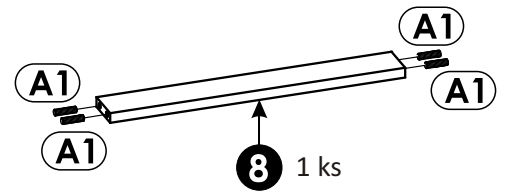
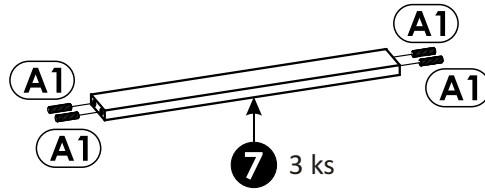
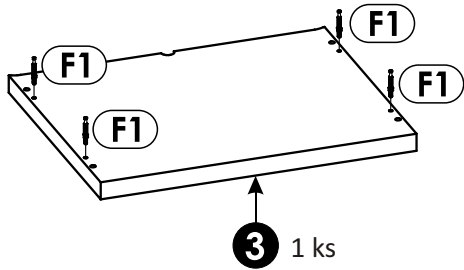
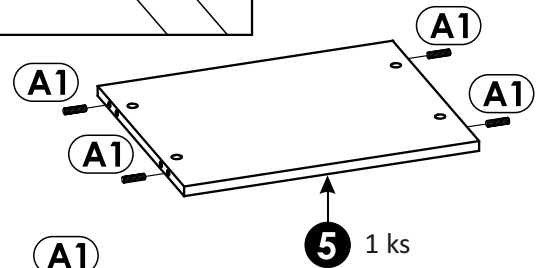
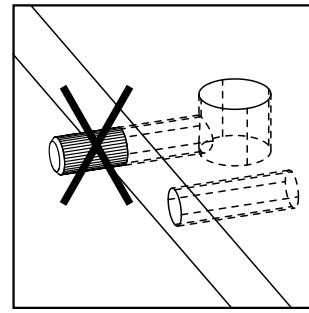
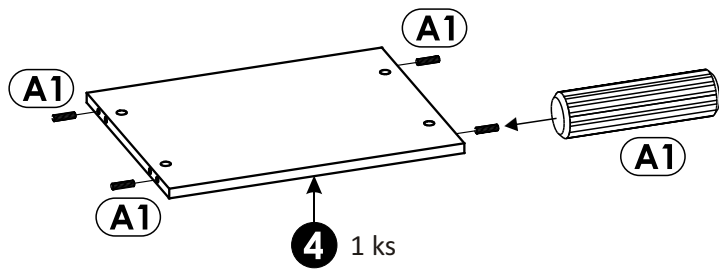
Krok 4:



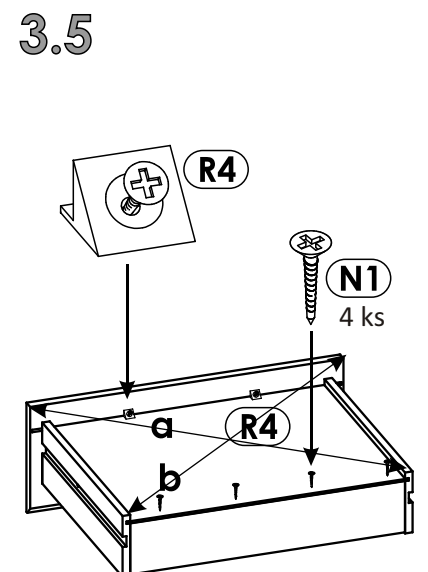
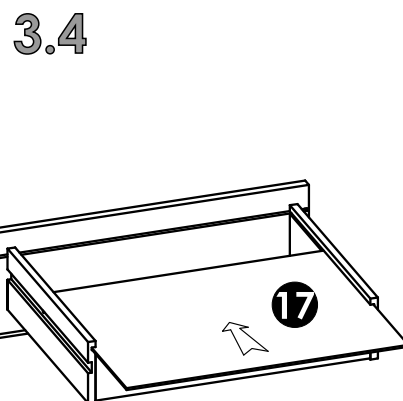
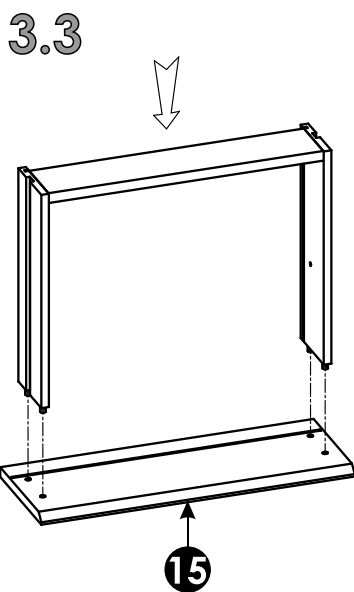
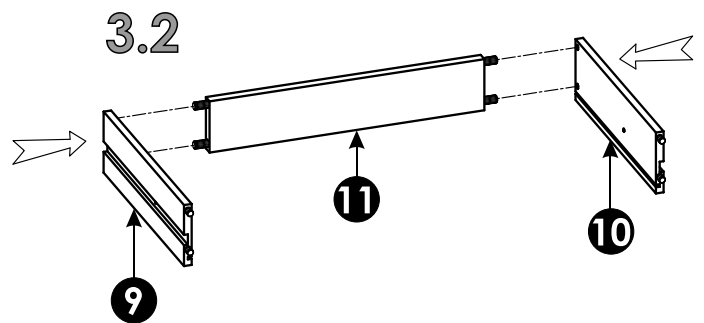
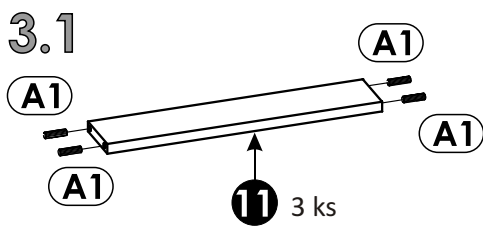
1 ▶



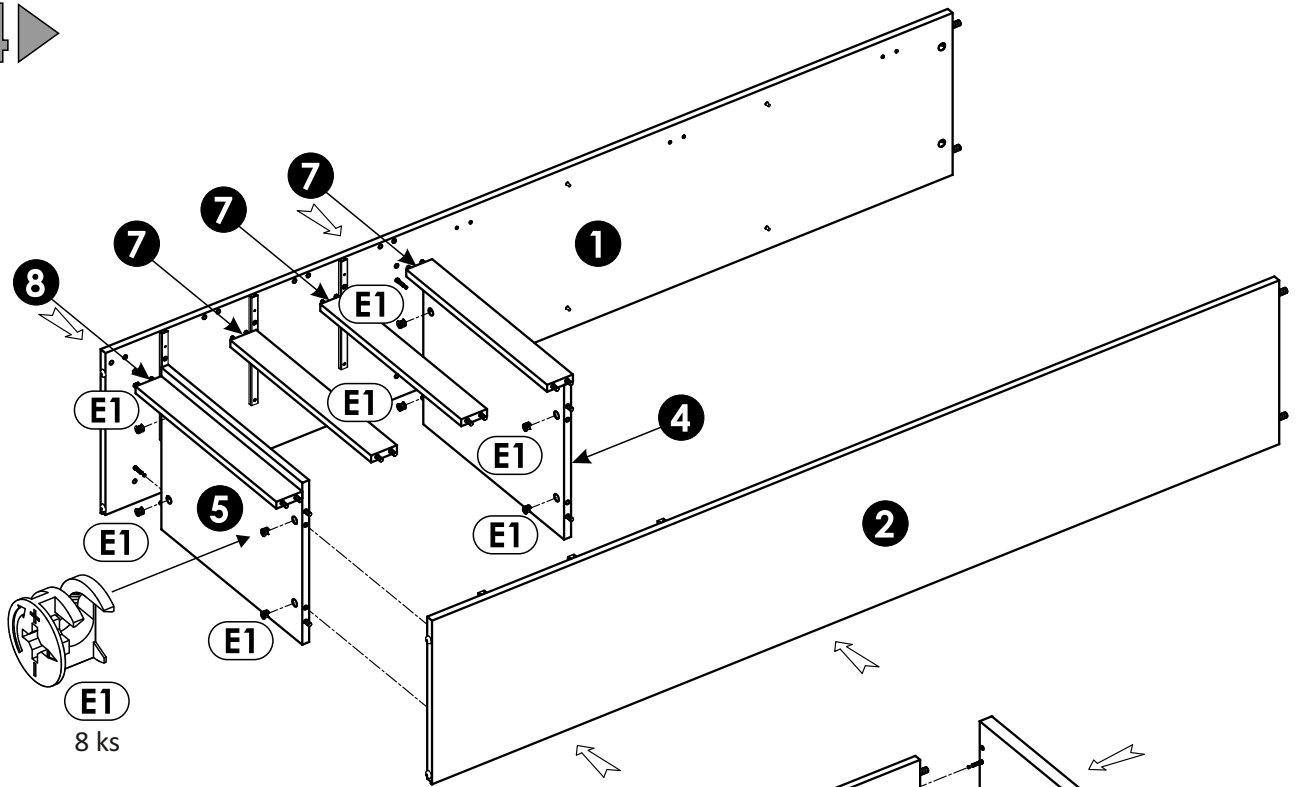
2 ▶



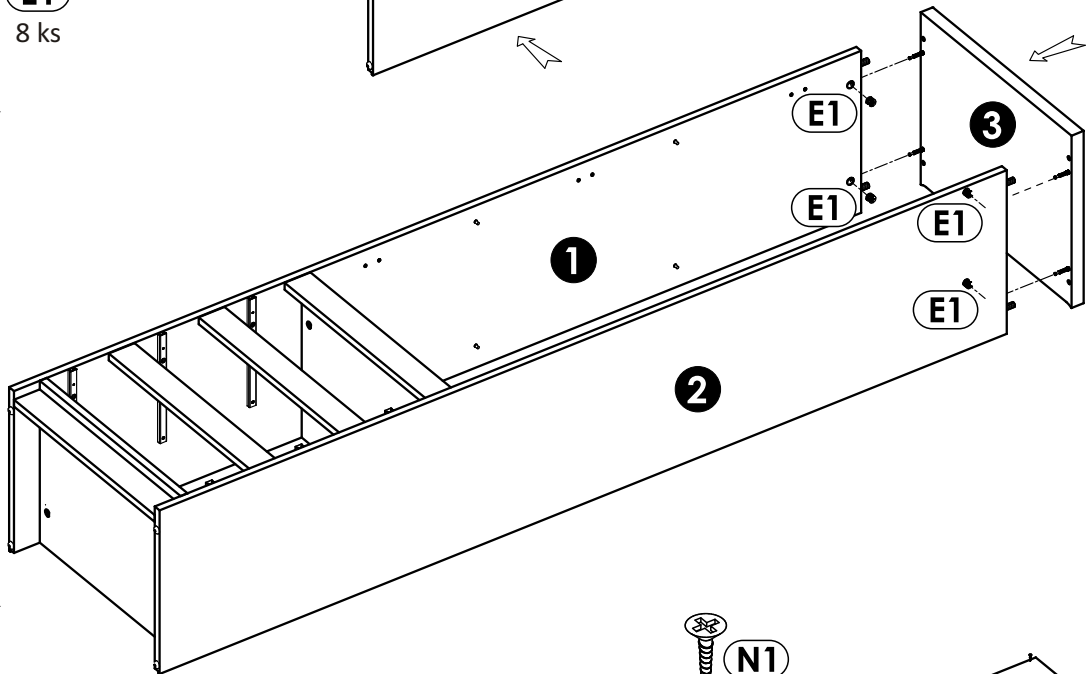
3 ▶



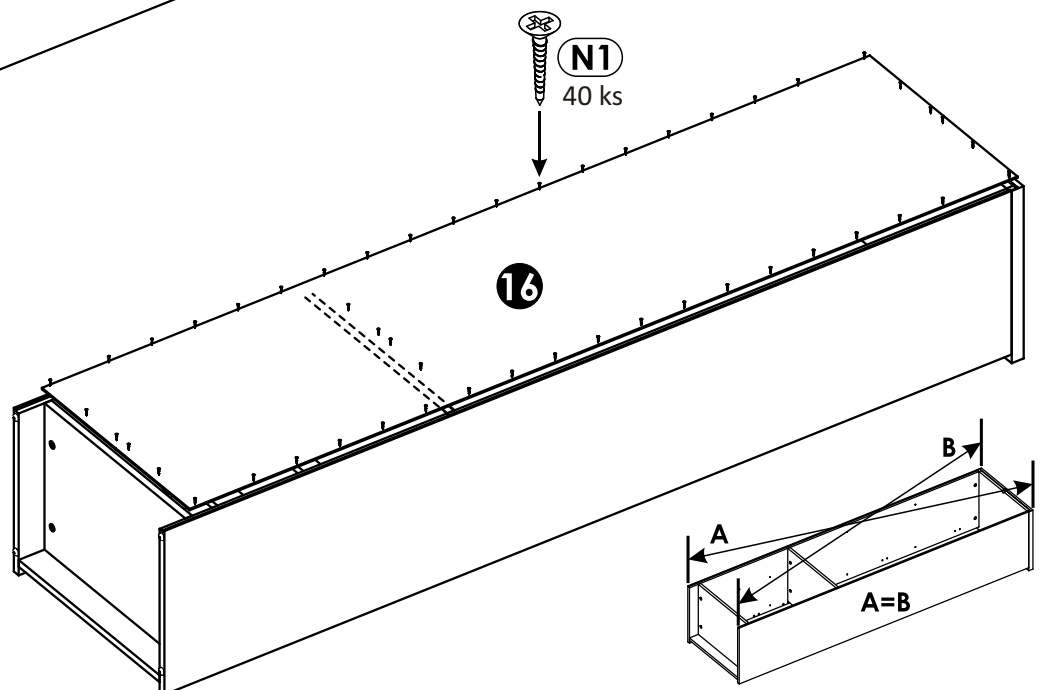
4 ▶



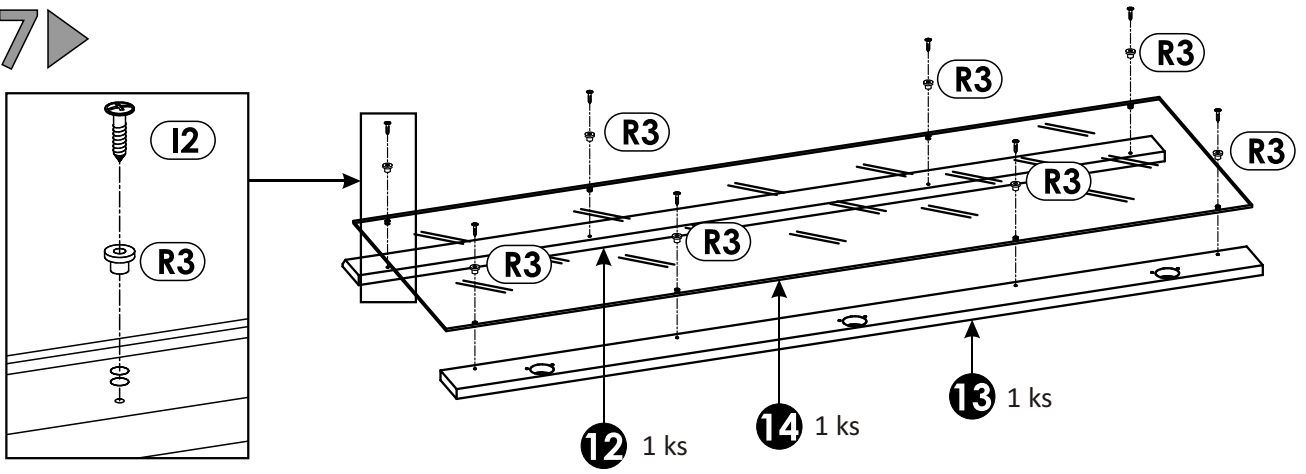
5 ▶



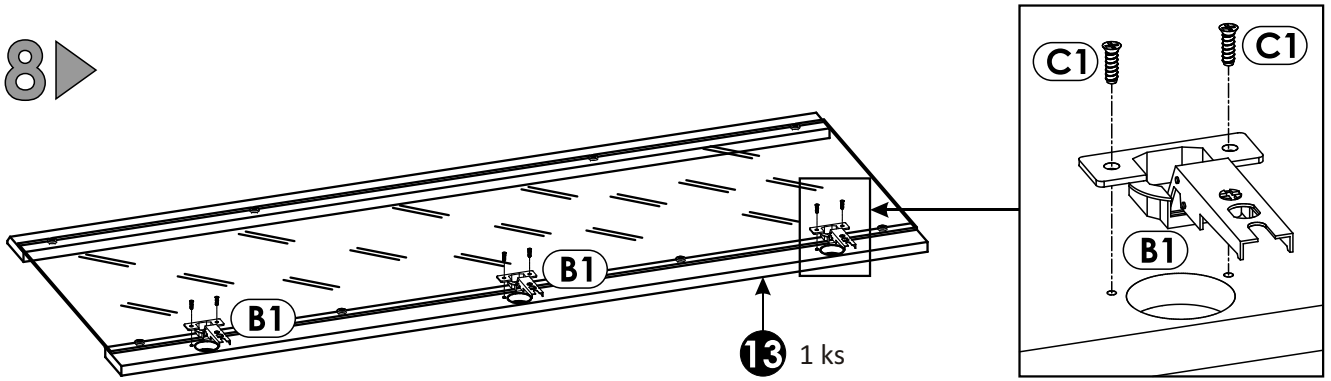
6 ▶



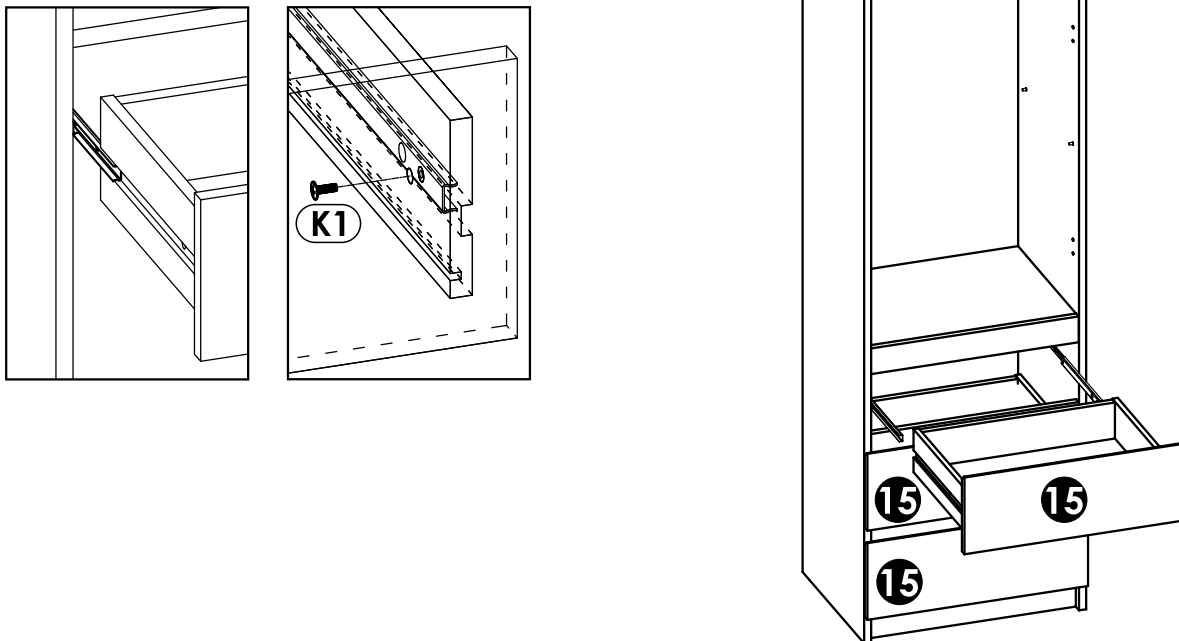
7 ▶



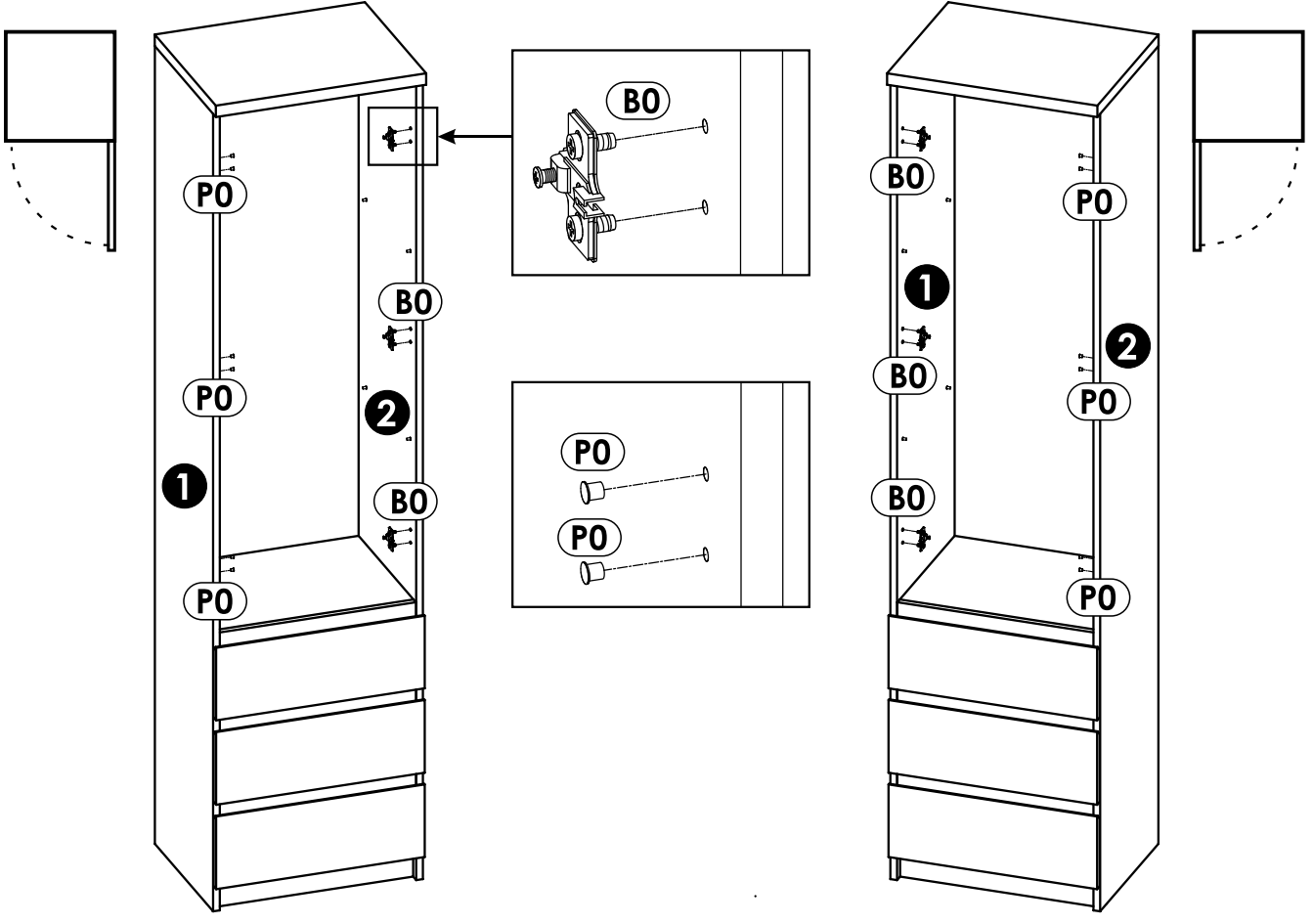
8 ▶



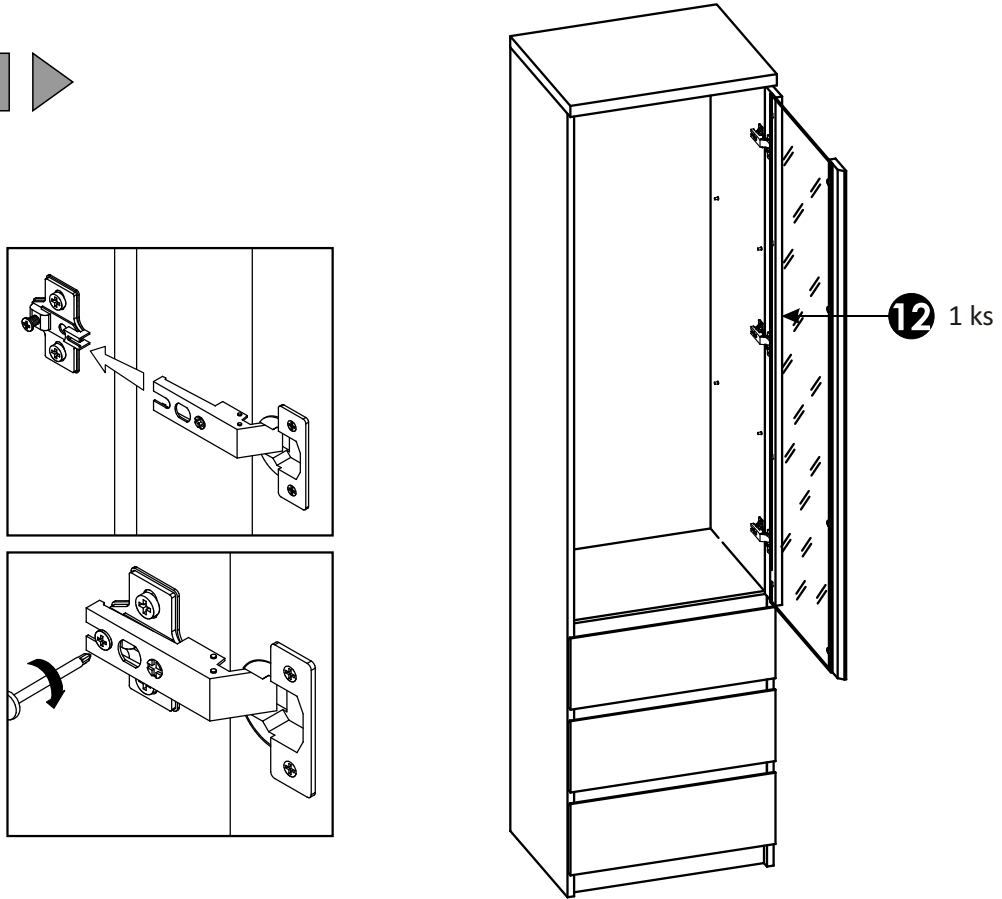
9 ▶



# 10 ▶

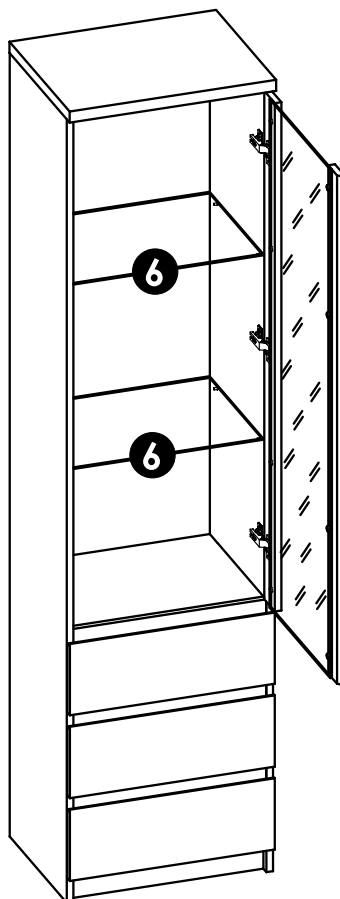
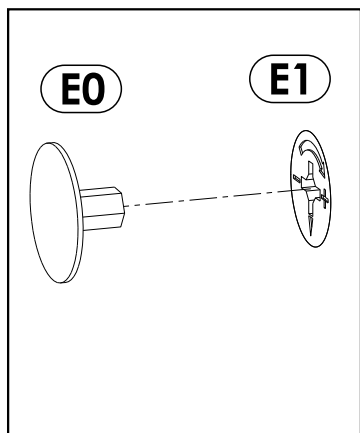


# 11 ▶





12▶



13▶

