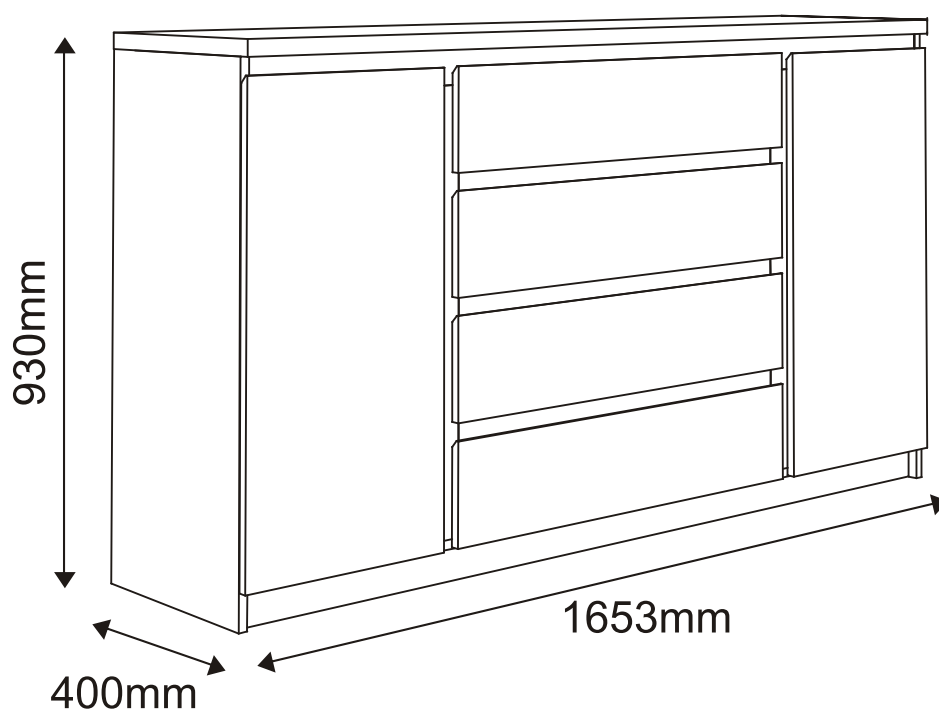

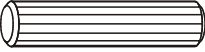
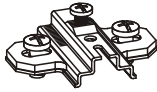



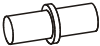


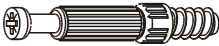
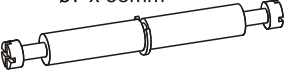



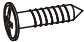
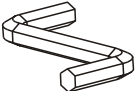





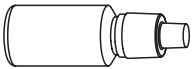
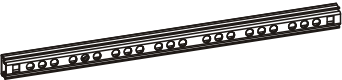


PELLO

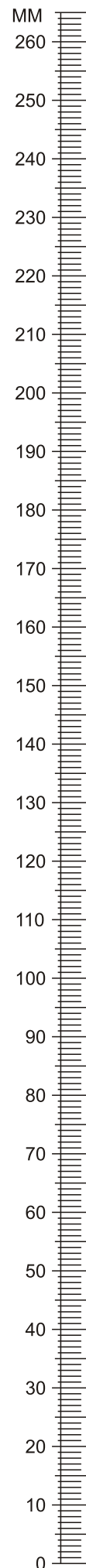
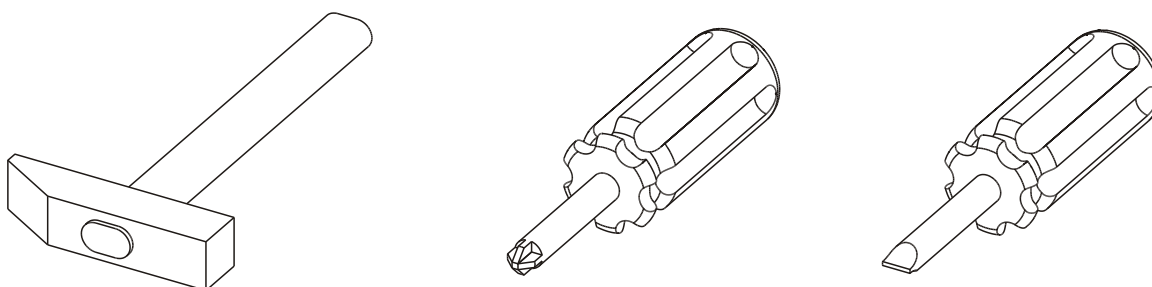
TYP 40 - Komoda 2D-4S (160)

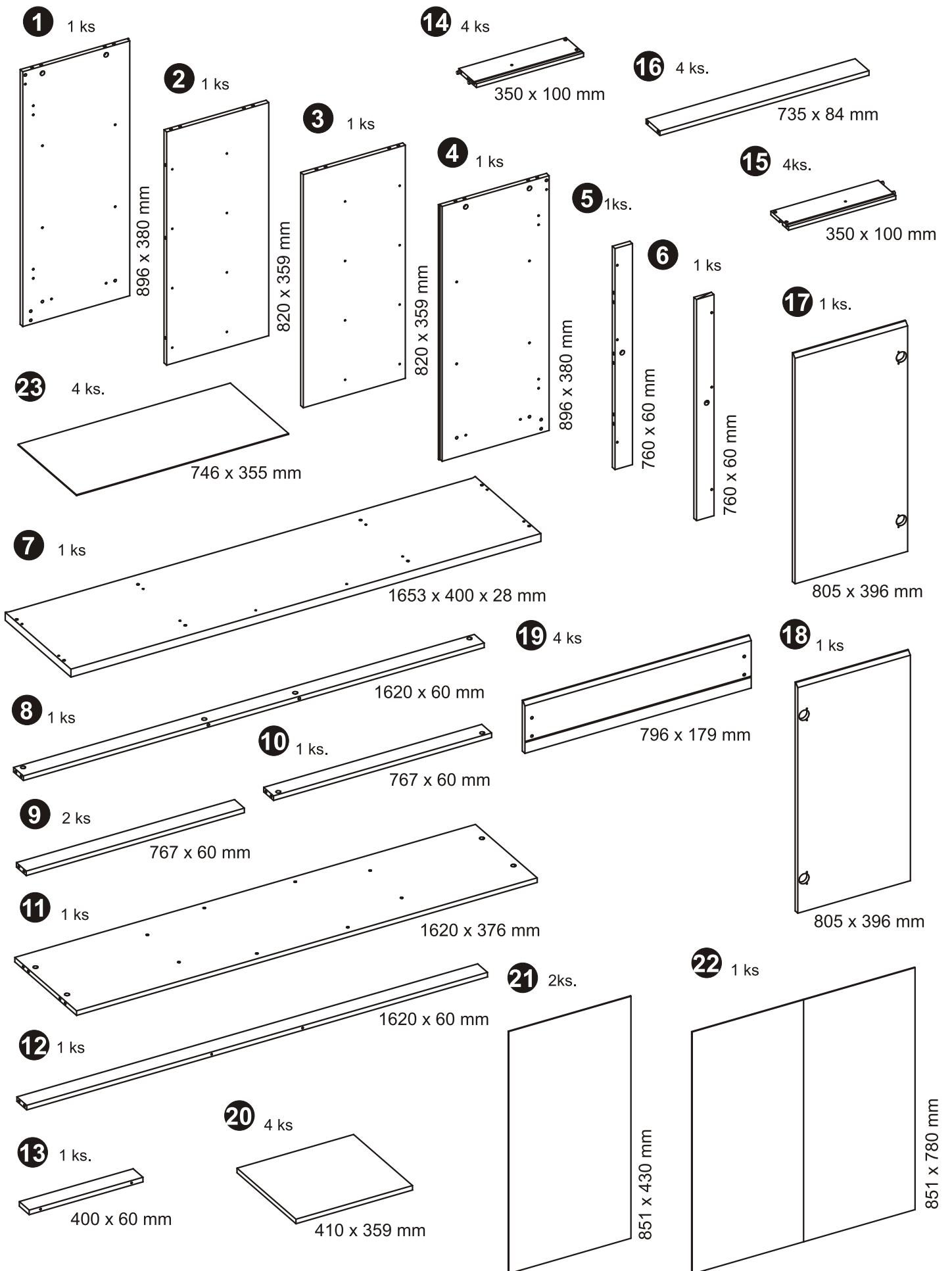


Kovanie:

A1 38 ks $\varnothing 8 \times 35\text{mm}$ 	A2 10 ks $\varnothing 8 \times 45\text{mm}$ 	B0 4 ks 
B1 4 ks 	C1 8 ks 	C2 16 ks 
D2 16 ks 	E0 26 ks 	E1 26 ks $\varnothing 15 \times 12\text{mm}$ 
F1 22 ks $\varnothing 6 \times 34\text{mm}$ 	F3 2 ks $\varnothing 7 \times 58\text{mm}$ 	G0 8 ks 
G1 	K1 8 ks 	I2 1 ks 
M 1 ks 	N1 70 ks 	O2 8 ks 
Q9 1 ks 	R1 12 ks 	R4 8 ks 
S 1 ks 	T0 8 ks 	

Potrebné náradie:



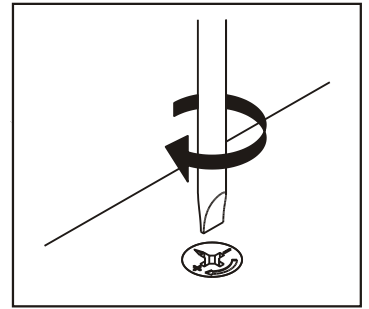
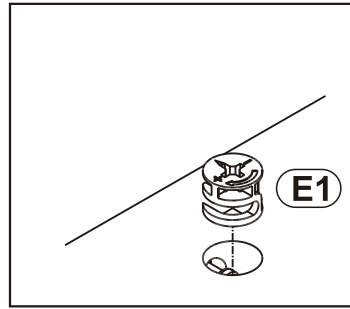
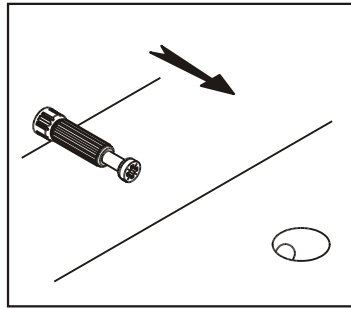
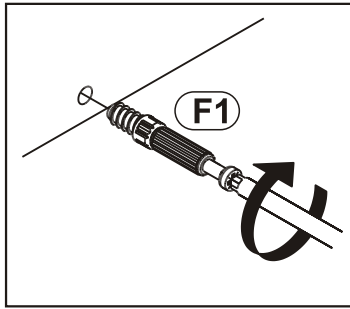


Krok 1:

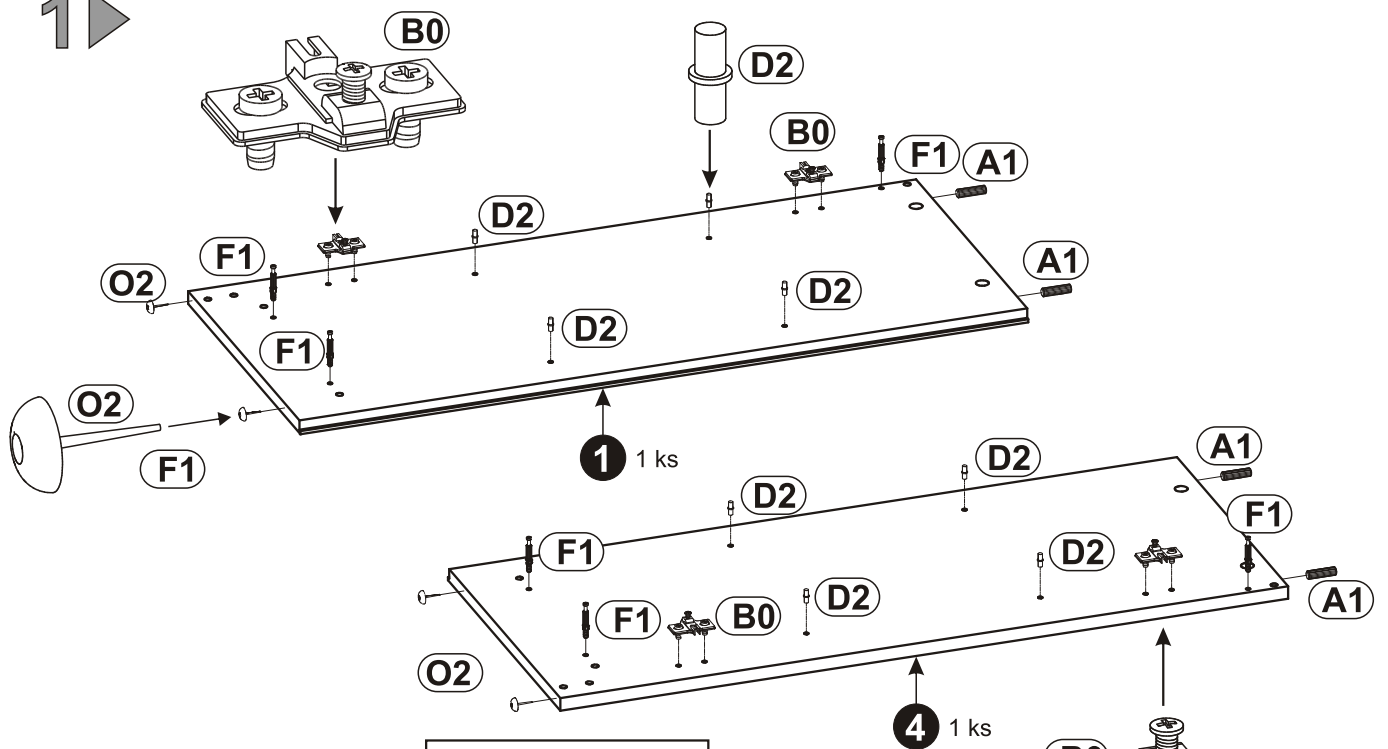
Krok 2:

Krok 3:

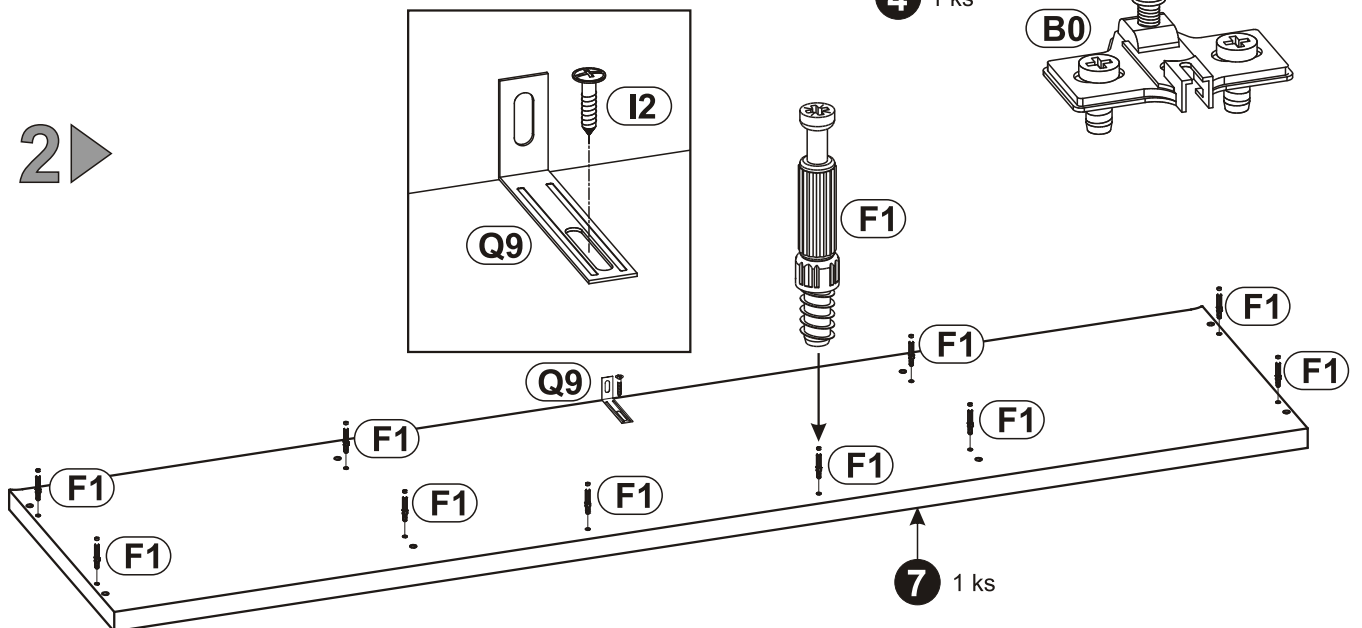
Krok 4:



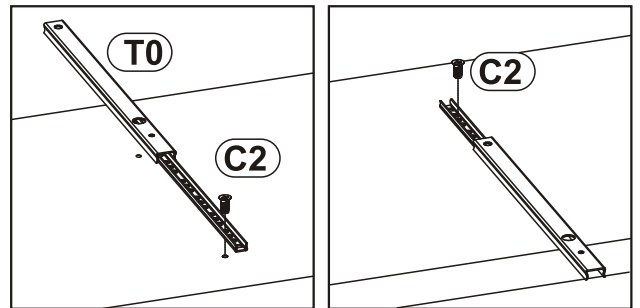
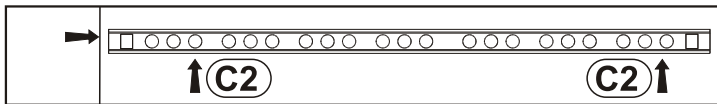
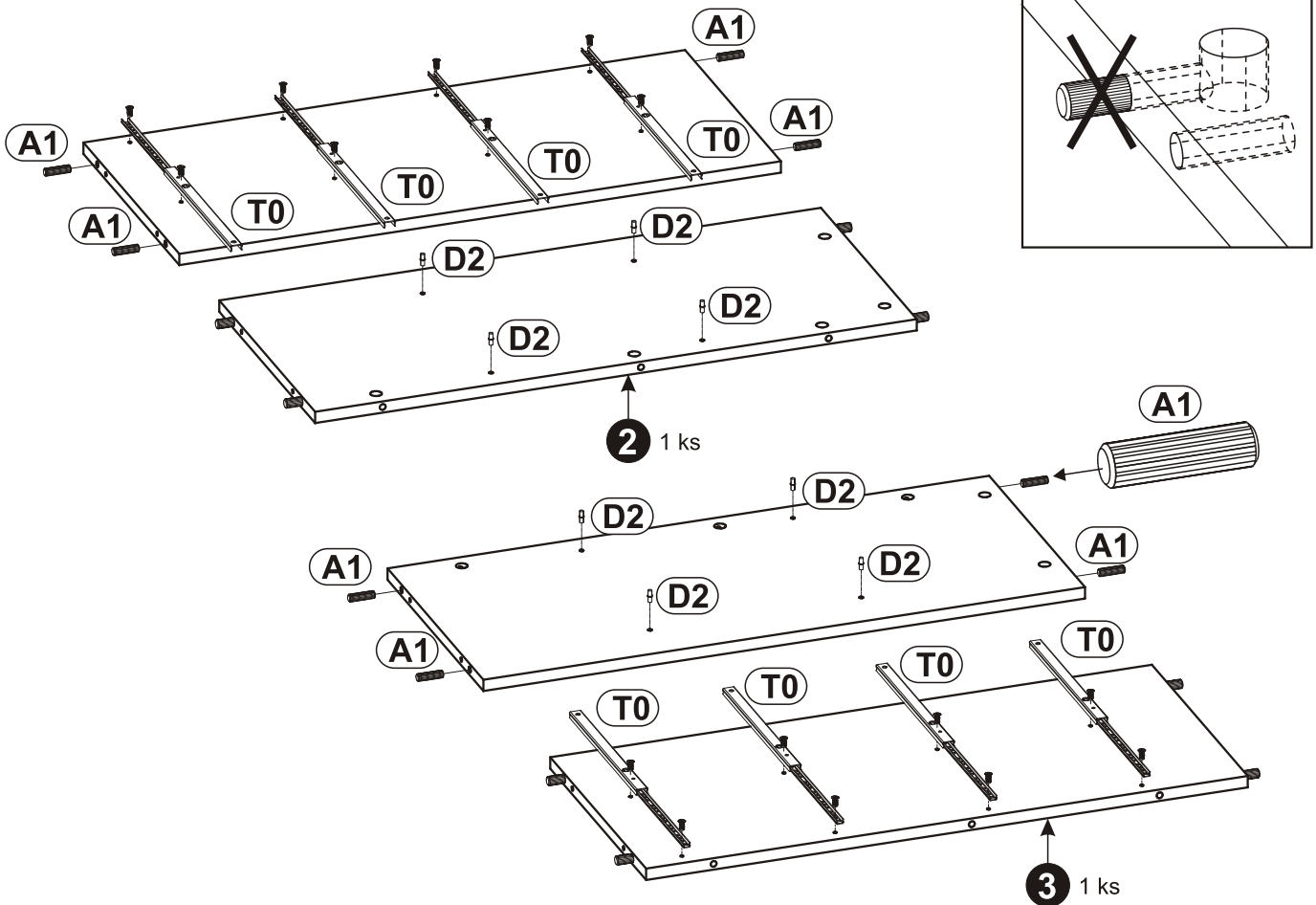
1 ▶



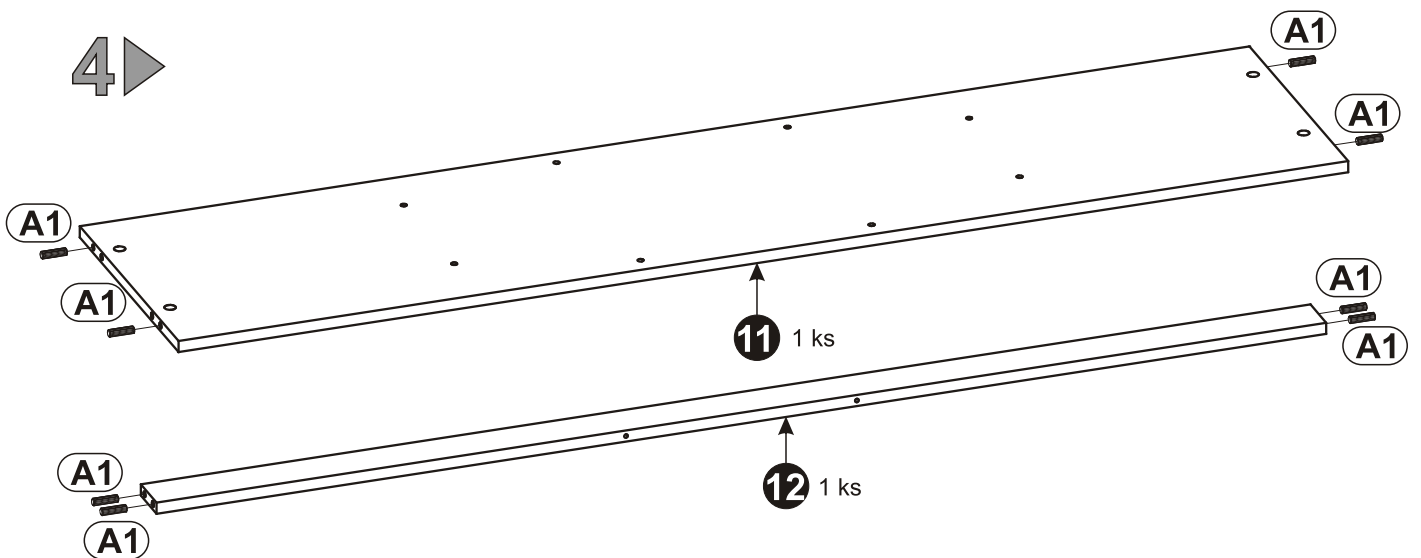
2 ▶



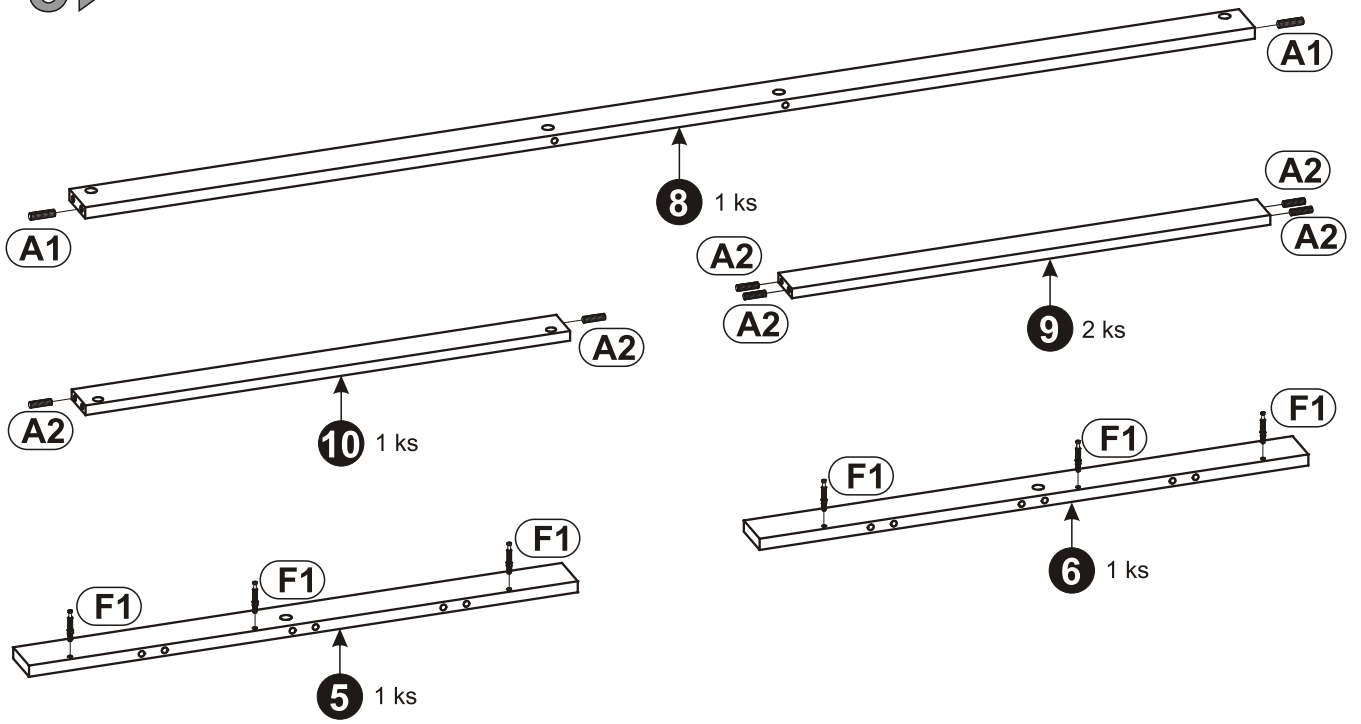
3 ▶



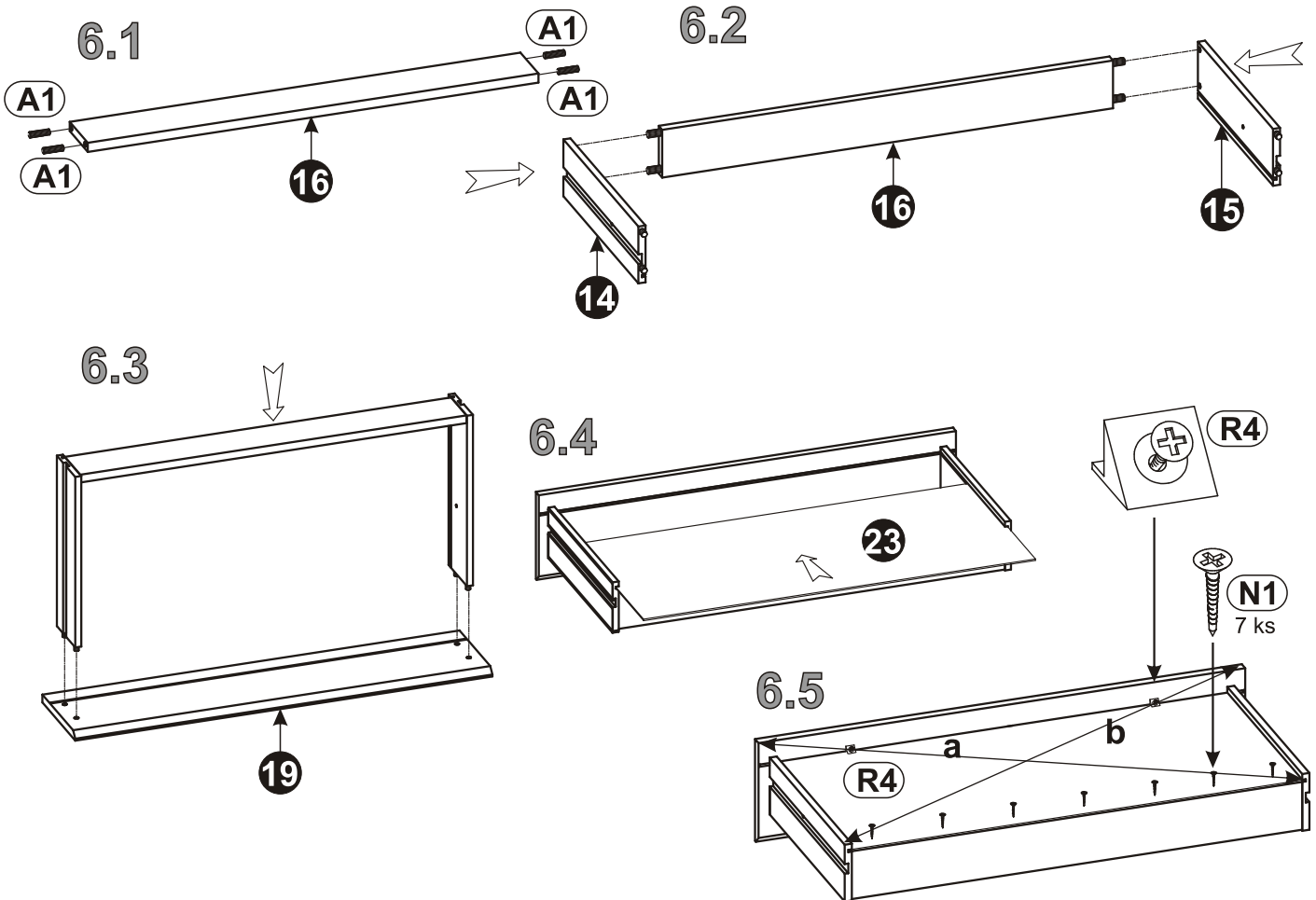
4 ▶



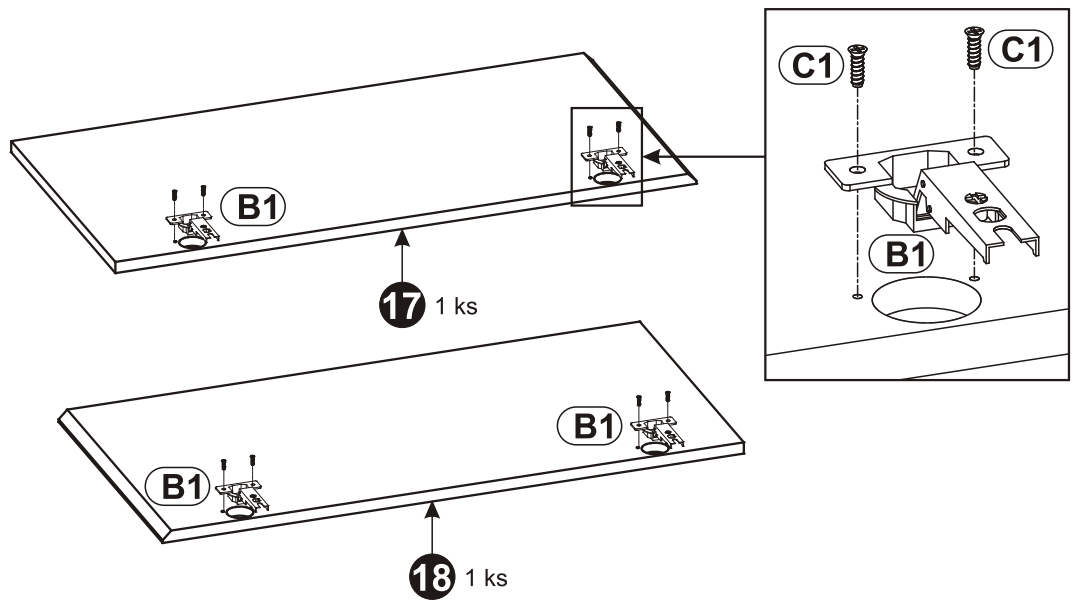
5 ▶



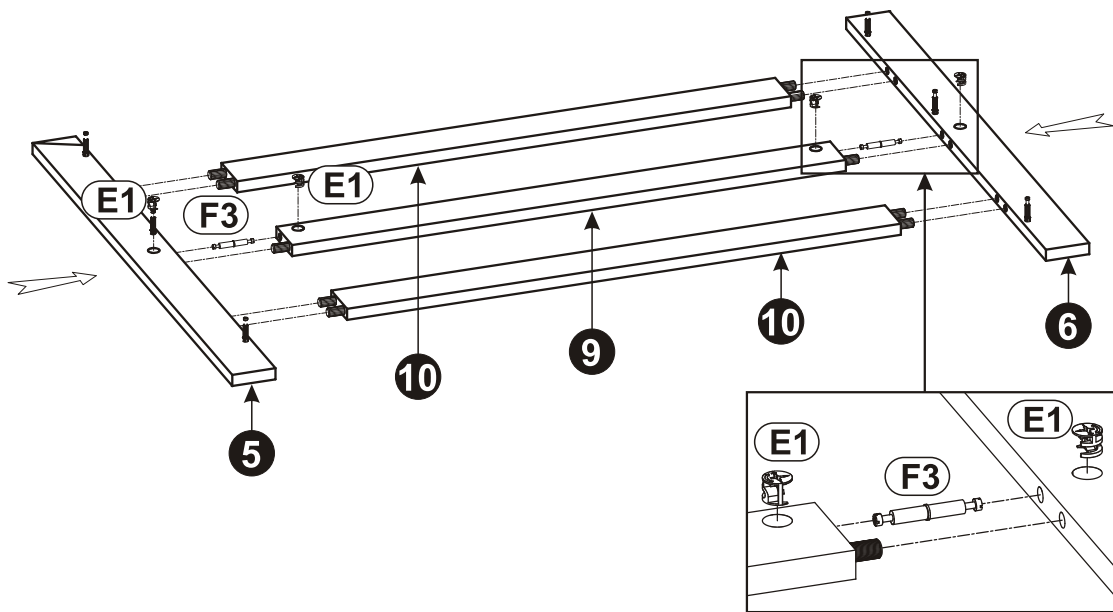
6 ▶



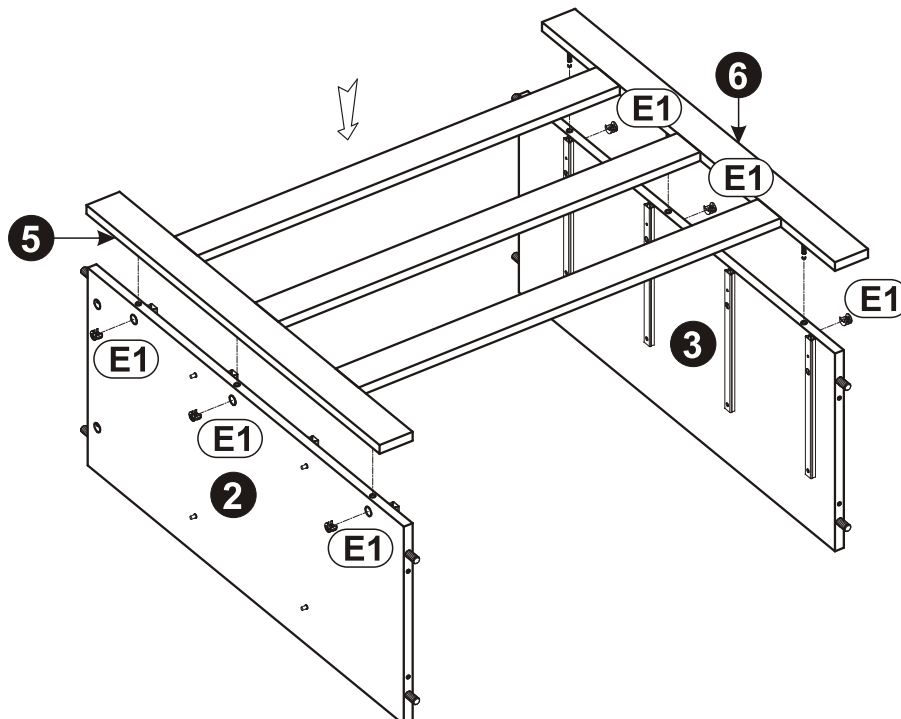
7 ▶



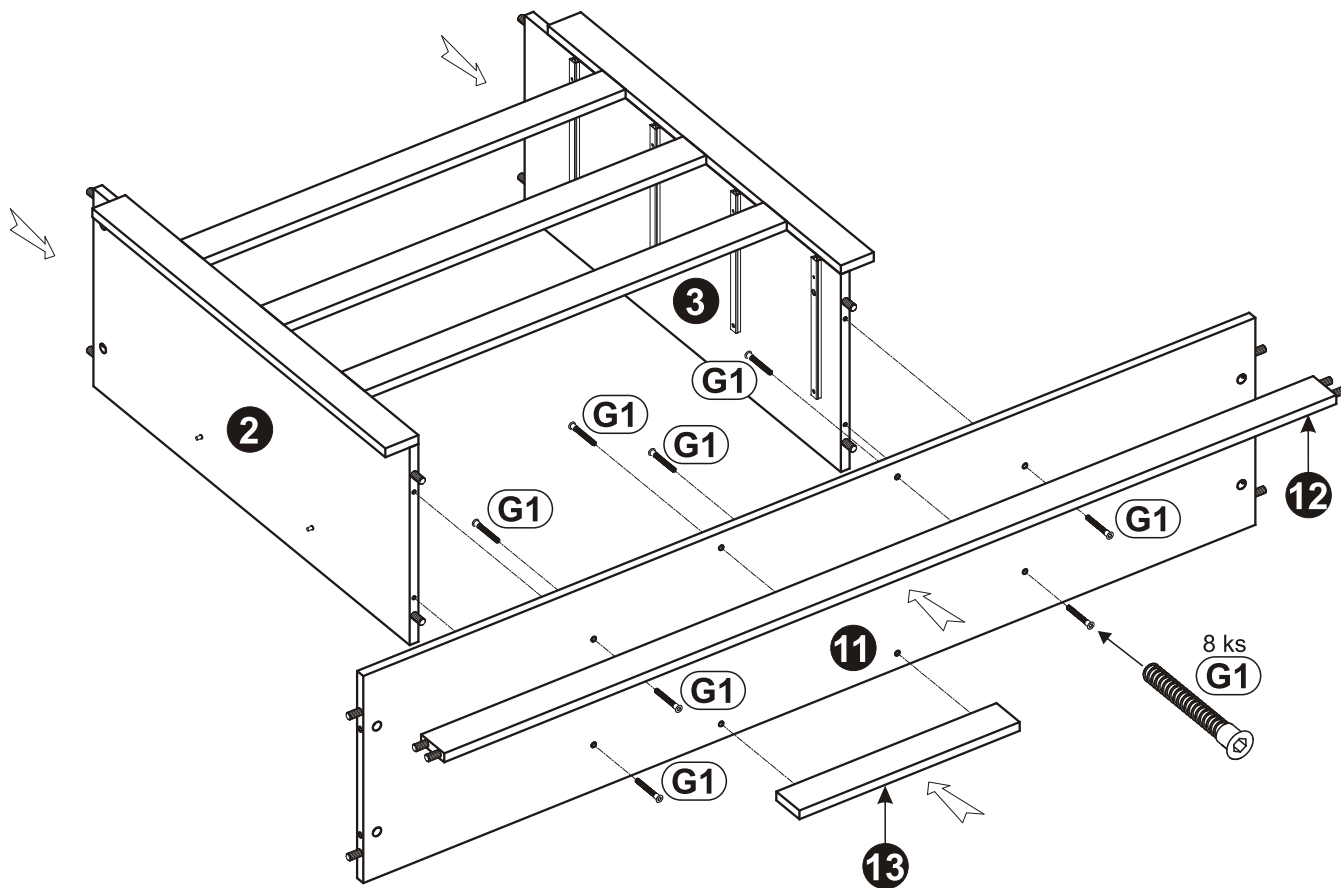
8 ▶



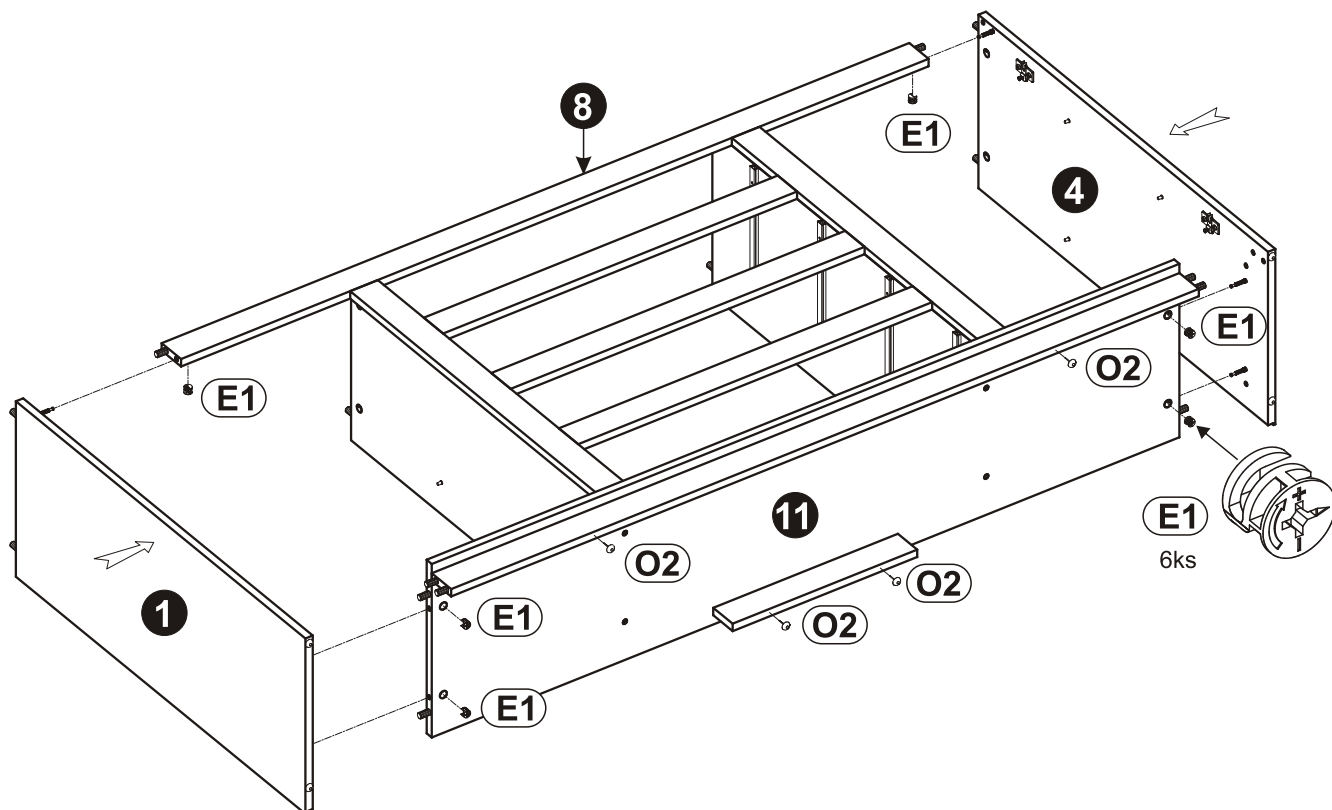
9 ▶



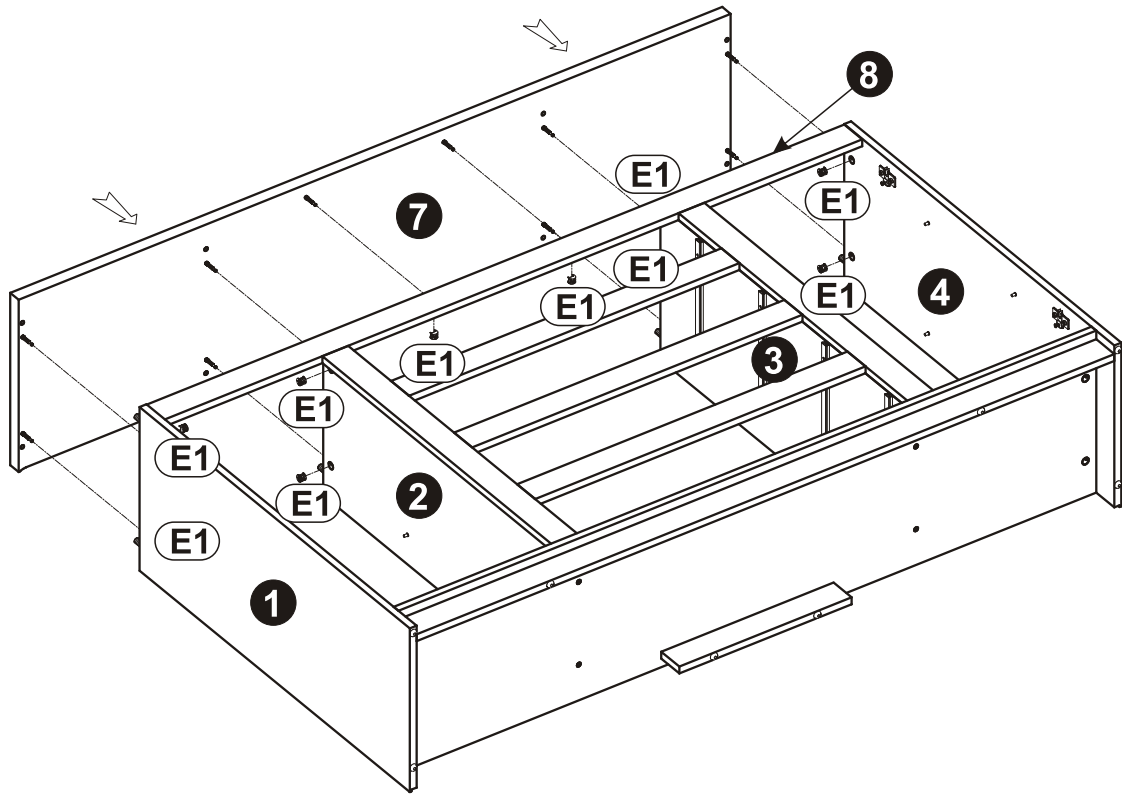
10 ▶



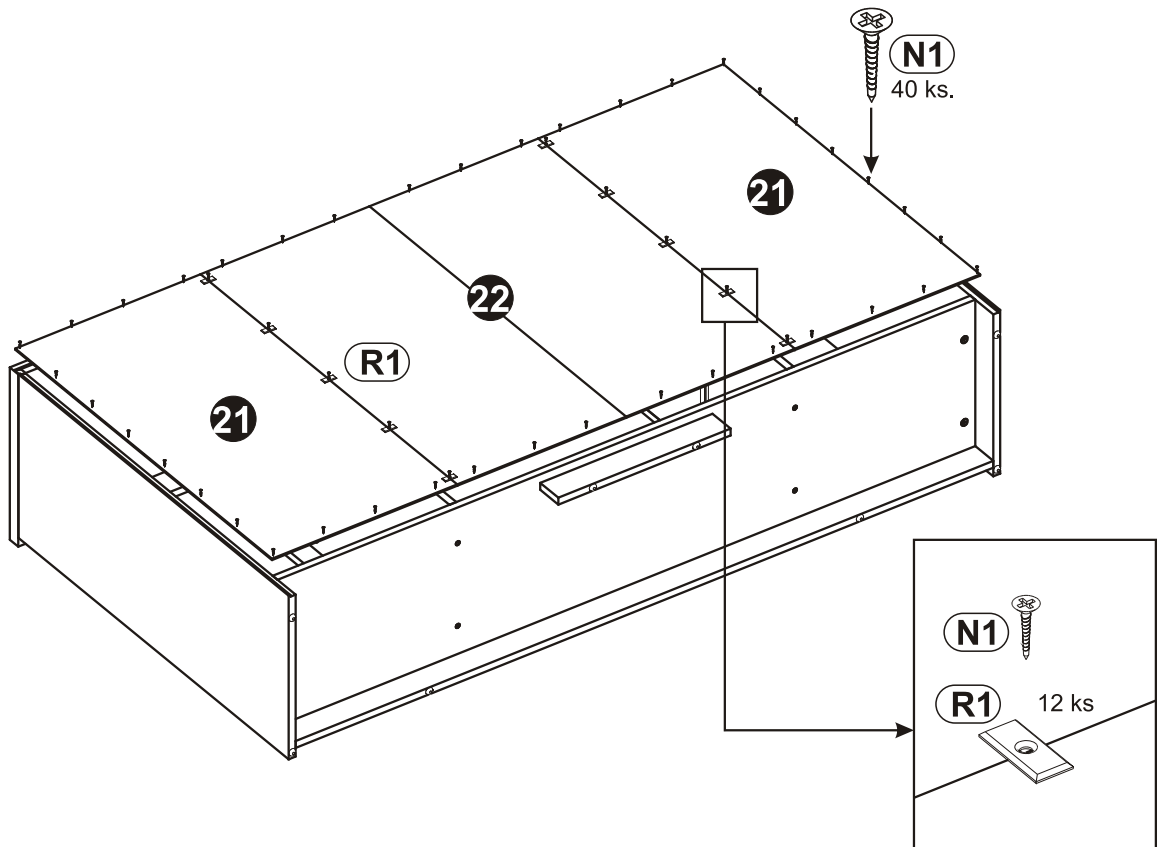
11 ▶



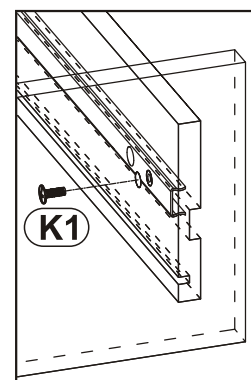
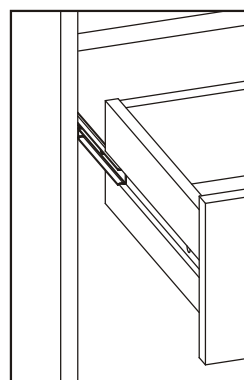
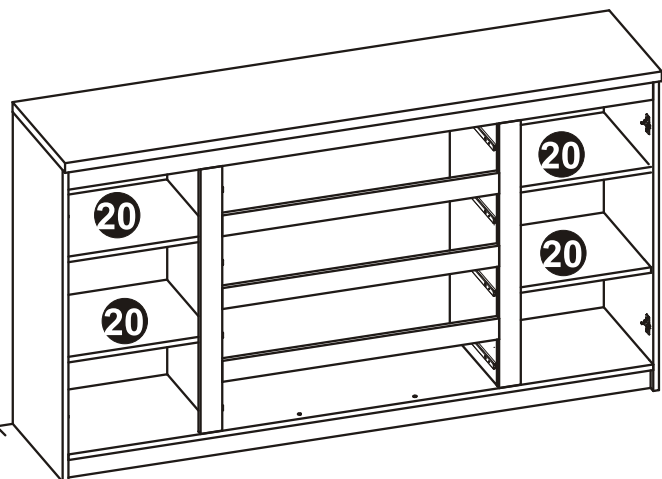
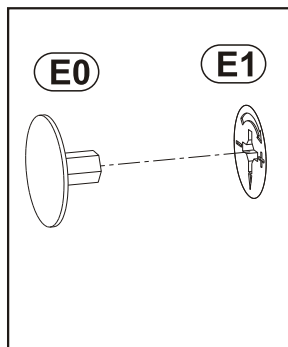
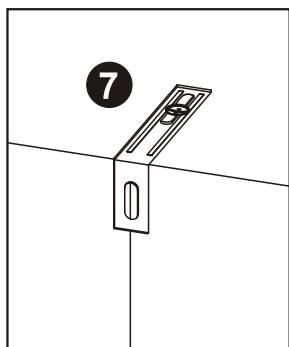
12▶



13▶



14▶



15▶

